

## Recessed Downlight

**WARNING:** For your safety read and understand instructions completely before starting installation. Before wiring to power supply, turn off electricity at the fuse or circuit breaker box.

**NOTE:** Halo recessed fixtures are designed to meet the latest NEC requirements and are UL Listed in full compliance with UL 1571 OR 1570. Before attempting installation of any recessed lighting fixture, check your local electrical code. This code sets the wiring standards for your locality and should be carefully studied before starting work. If fixture is to be switched from wall switch, make sure that black power supply wire is connected to the switch, DO NOT connect the white supply wire to the switch.

Make certain no bare wires are exposed outside the wire nut connectors.

H5T & H5TM models are designed for use in uninsulated ceiling or ceilings where insulation is at least 3" away from the housing (U.S.A. only) see Figure 1.

H5ICAT models are approved for direct burial in insulation.

### Installation in New Construction

**NOTE:** Bar Hangers for this fixture are of interlocking design to allow positioning of housing along entire length of bars. Position bar hangers so that nail-in tabs point away from housing (Figure 2). Bar Hangers may be shortened, to fit 12" framing, by breaking at score lines.

- Step 1** Extend bar hangers to fit between joists. Position fixture by hammering nail-in tabs into joists. Hangers should be level with bottom of joists (Figure 2).
- Step 2** Follow steps 1 through 4 under Electrical Connection.
- Step 3** Position fixture on hanger bars to secure fixture position in ceiling (Figure 2). Tighten hanger bare set screws.
- Step 4** Adjust fixture for ceiling thickness by loosening the hex screws that attach the round housing to the plaster frame. Bring bottom edge of housing flush with ceiling line and tighten screws.

### Installation in Suspended Ceilings

- Step 1** Locate center of proposed opening on ceiling tile and cut a round hole to match the housing style.
- Step 2** Place ceiling tile in T-bar grid.
- Step 3** Rest fixture on T-bars with notches in hanger bars over tops of T-bars secure with wire or use optional Halo TB7 Bar Hanger clips (not included) (Figure 3 and Figure 4).
- Step 4** Follow steps 1 through 4 under Electrical Connection.
- Step 5** Center fixture over opening. To secure fixture position in ceiling, (Figure 2). Tighten hanger bar set screws.
- Step 6** Adjust the fixture for ceiling thickness by loosening the hex screws that attach the round housing to the plaster frame. Bring bottom edge of housing flush with ceiling line and tighten screws.

FIG 1

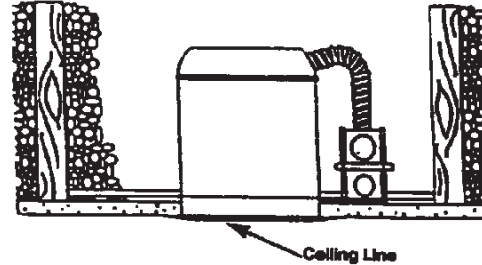


FIG 2

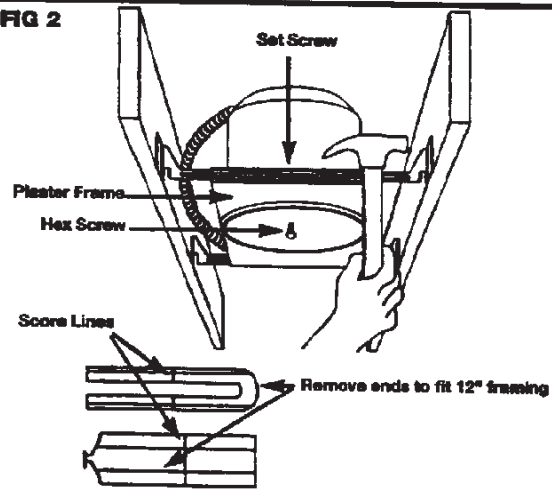


FIG 3

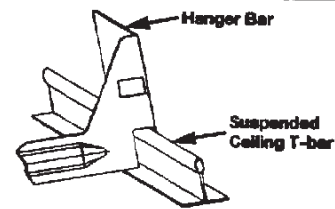
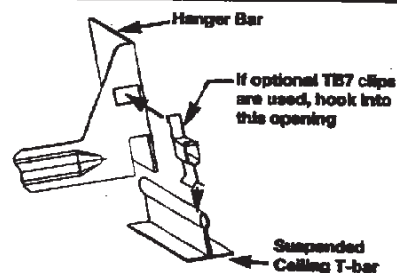


FIG 4



## Recessed Downlight

### Electrical Connection

**Step 1** Provide electrical service according to your local electrical code from a suitable junction box to the wiring box (located on the plaster frame). Supply wire insulation must be rated for at least 90°C.

**Step 2** Remove the wiring box cover. Remove the appropriate pry-out(s) to accommodate the type of electrical service to be used.

**NOTE:** The wiring box will accept metal conduit or non-metallic cable, but metal conduit must be used if your electrical code requires it.

**Metal Conduit:** Remove appropriate round pry-out(s) and connect conduit to wiring box with proper connector(s) (not included).

**Non-metallic cable:** Remove appropriate rectangular pry-out(s) on top of wiring box and insert cable, pushing it past the cable trap in wiring box. Cable will be held in place by the trap; no other connector is required (Figure 5).

**Step 3** Connect supply wires to wires in fixture wiring box with proper size wire nuts (not included), so as to cover all bare current-carrying conductors. Connect white to white, black to black, and green (from electrical service) to bare copper wire (in wiring box).

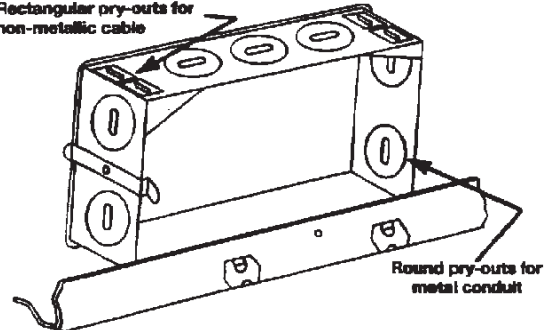
**NOTE:** The ground wire at the service junction box may need to be secured to a ground screw.

**Step 4** Place all wiring and connections back in wiring box and replace cover.

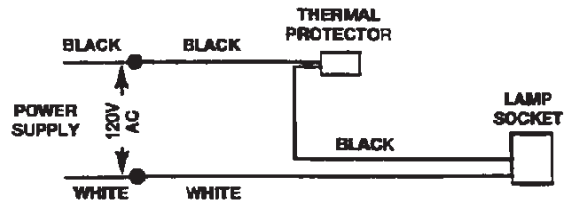
**WARNING:** Remove socket protector prior to trim installation, but after ceiling painting.

FIG 5

Rectangular pry-outs for non-metallic cable



WIRING DIAGRAM



Incandescent Fixtures