

| | | | | | |
|-------------|--|-----------|--|------|--|
| Project | | Catalog # | | Type | |
| Prepared by | | Notes | | Date | |



Ephesus

LUMASPORT 8 PRISM - Local

Tunable RGB LED Sports & Entertainment Luminaire

Typical Applications

Pro Arenas • University & Collegiate Arenas • University & Collegiate Stadiums • Multi-Event & Convention Centers • Gymnasiums & Field Houses

Interactive Menu

- Dimensional Details [page 1](#)
- Ordering Information [page 2](#)
- Dimensional and Mounting Details [page 3](#)
- Visor (VHE) Configuration [page 4](#)
- Performance Data [page 5](#)
- Optical Performance Data [page 5](#)
- Ordering Information for Accessories [page 6](#)
- Accessory Dimensions and Part Details [page 7](#)
- Example System Topology [page 10](#)

Product Certification

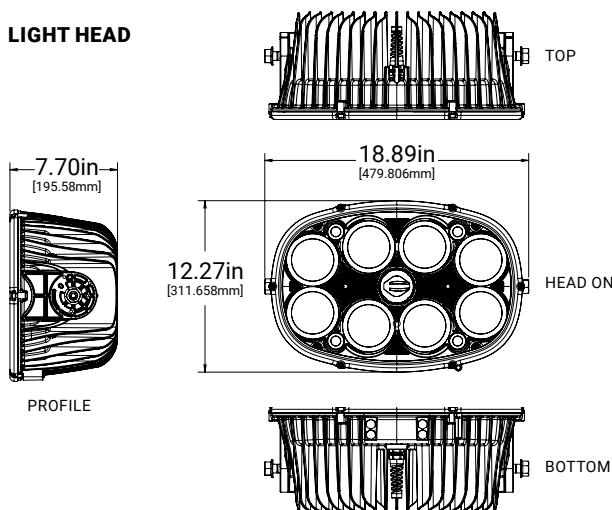


Top Product Features

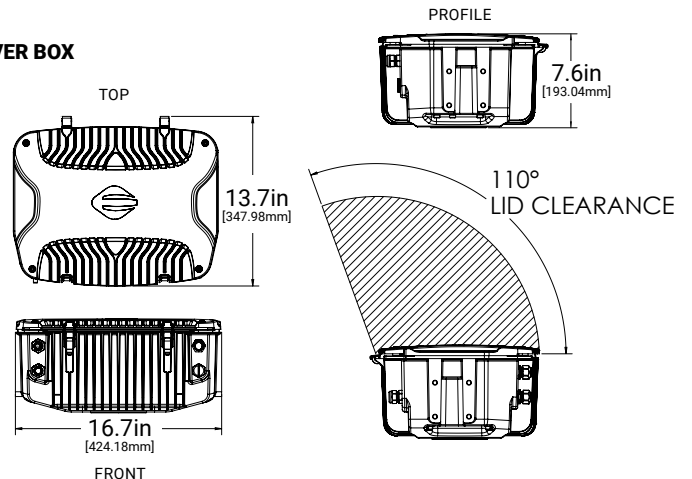
- Custom source selection offers broadest range of color mixing
- Fully saturated color provides an unmatched visual fan experience
- Array of optic beams from narrow to wide creates an immersive atmosphere
- Glare and cutoff control via Hybrid Reflector and TIR Optical System
- Reduce install time with pre-aimable two-piece assembly
- Industry leading light source reliability with Chip-on-Board LEDs
- Controllable with both wired DMX and wireless AirMesh to suit your needs.

Dimensional Details

LIGHT HEAD



DRIVER BOX



Installation Instructions

Order Information

NOTE: A complete fixture order requires a selection entry for **Brand, Family, Model Size, Power Configuration, Luminaire Color, Color Combination, Source Type, Optic, Light Head Cable (DC), Voltage, Control, Light Head Mount, Power Cable (AC), Visors, Special Option.**

SAMPLE ORDER NUMBER: EPH-LS-08-500PL-BLK-RGB-CL-5S-PR04-LV-AM-LY-A00-HEG-ST

| Brand | Family | Model Size | Power Configuration | Luminaire Color | Color Combination | Source Type | Optic |
|--|----------------|---------------|---|---|----------------------|----------------|---|
| Brand | Family | Model Size | Power Configuration | Luminaire Color ³ | Color Combination | Source Type | Optic ⁴ |
| EPH = Ephesus, Standard TAA=Trade Agreements Act ¹ | LS = Lumasport | 08 = 8 Optics | 500PL = Prism Model, Local Power ² 500PS = Prism Model, Satellite | BLK = Black WHT = White | RGB = Red/Green/Blue | CL = Color RGB | 2S = NEMA 3 21.9 40.2 4S = NEMA 4 36.0 64.4 5S = NEMA 5 46.6 82.6 7F = NEMA 7 72.5 131.0 |
| Notes: (1) Only product configurations with this designated prefix are built to be compliant with the Trade Agreements Act of 1979 (TAA). Please refer to DOMESTIC PREFERENCES website for more information. Components shipped separately may be separately analyzed under domestic preference requirements. | | | Notes: (2) Local Power means that the light head is attached to the driver box with the yoke or pendant mount. | Notes: (3) Not coastal rated. Contact Ephesus for coastal fixture options. | | | Notes: (4) Optic = NEMA TYPE; BEAM ANGLE; FIELD ANGLE. Additional optical performance data within spec sheet. |

| Light Head Cable (DC) | Voltage | Control | Light Head Mount | Power Cable (AC) | Visors | Special Option |
|--|---------------------------------------|---|---|---|---|----------------|
| Light Head Cable (DC) ⁶ | Voltage | Control | Light Head Mount | Power Cable (AC) ¹¹ | Visors ¹³ | Special Option |
| PR04 = Standard Connectorized PR12 = 12ft Cable, Connectorized ⁷ | LV = Low Voltage HV = High Voltage | AM = Wireless AirMesh LB = Wired DMX | LY = Local Yoke ⁸ LP = Local Pendant ⁹ BY = Bottom Mount Yoke ¹⁰ | A00 = No Cable, Standard A04 = 4ft Cable A10 = 10ft Cable A15 = 15ft Cable BH3 = 3-foot long 3-pin connectorized AC cable ¹² | HEG = No Visor High Efficiency Glass Lens VHE = Visor High Efficiency Glass Lens | ST = Standard |
| Notes: (6) DC Cable connecting the light head to the driver box. (7) PR12 = 12ft Cable is intended to be used with the Ephesus Catwalk Bracket | | | Notes: (8) LY and LP only available with 500PL option (9) Typically used with the Ephesus catwalk bracket. (10) BY only available with 500PS | Notes: (11) AC Cable connecting the Driver Box to the electrical power source. (12) BH3 only for Ephesus prewired crossarms | Notes: (13) Accessories sold separately will be separately analyzed under domestic preference requirements. Consult factory for further information. | |

DesignLights Consortium® Qualified. Refer to www.designlights.org Qualified Products List under Family Models for details

Power Configuration Examples



LOCAL POWER (500PL)
USING THE LOCAL YOKE (LY) LIGHT HEAD MOUNT



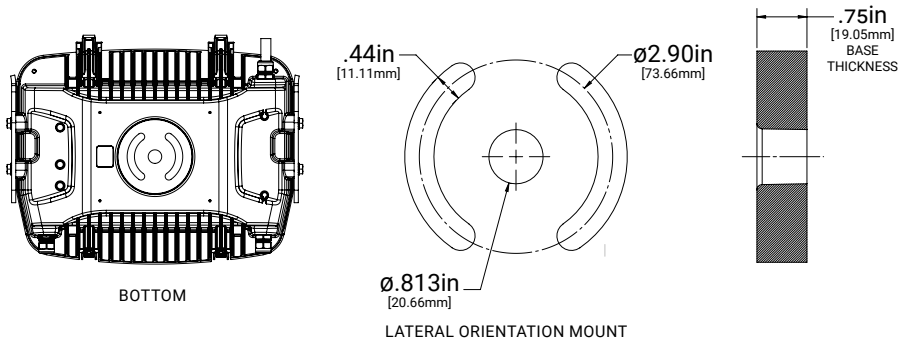
SATELLITE POWER (500PS)
USING BOTTOM MOUNT YOKE (BY) LIGHT HEAD MOUNT
AND THE EPHEBUS CATWALK MOUNTING BRACKET (EPH-LS-CAT-P-B-U-B)



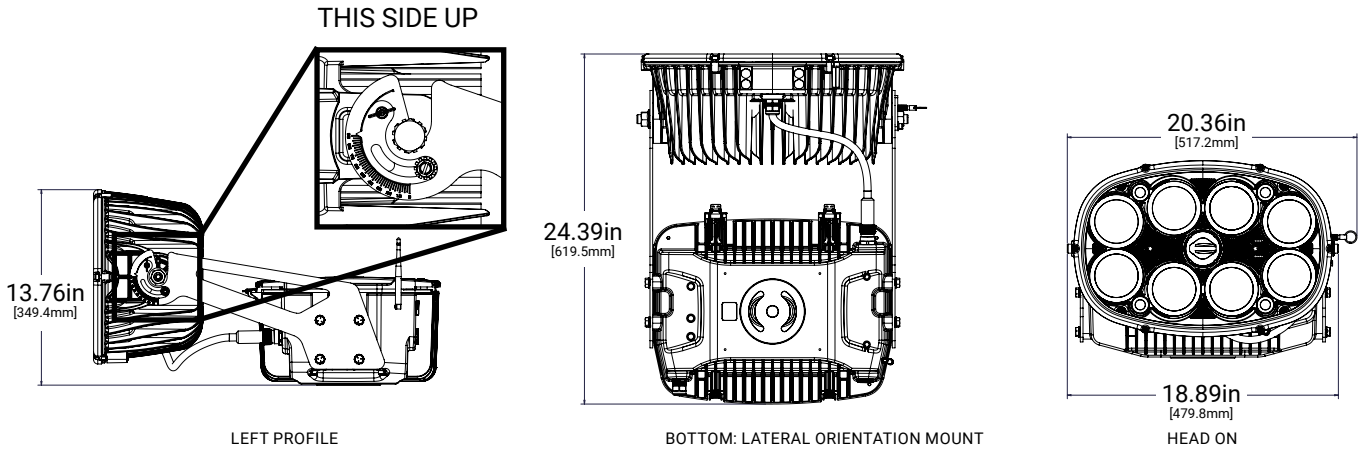
LOCAL POWER (500PL)
AND THE LOCAL PENDANT (LP) LIGHT HEAD MOUNT

Dimensional and Mounting Details

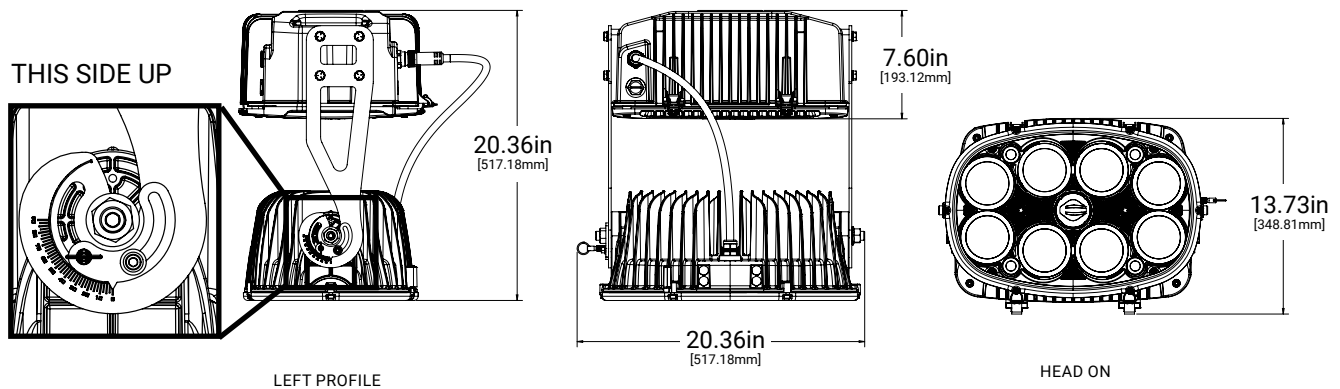
MOUNTING: DRIVER BOX



MOUNTING CONFIGURATION: LOCAL YOKE

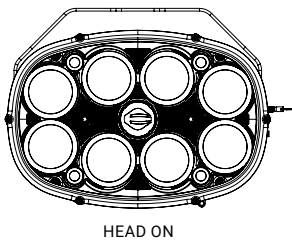
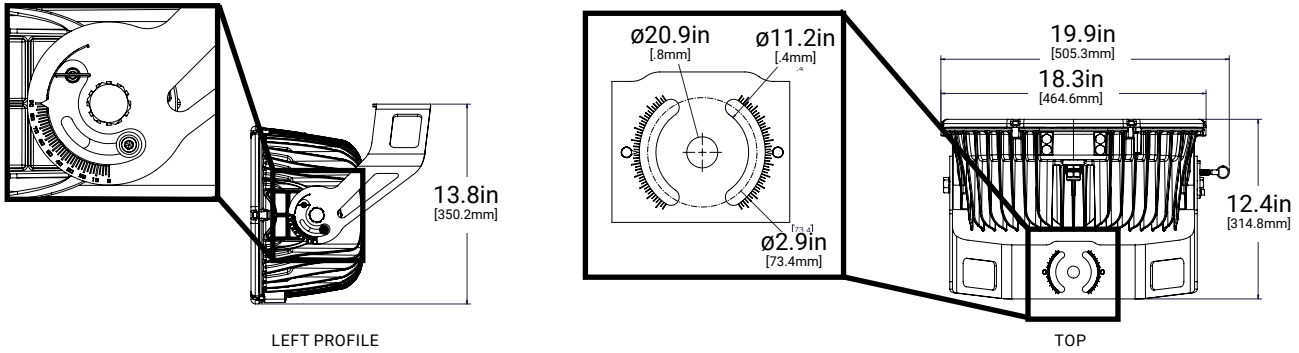


MOUNTING CONFIGURATION: LOCAL PENDANT

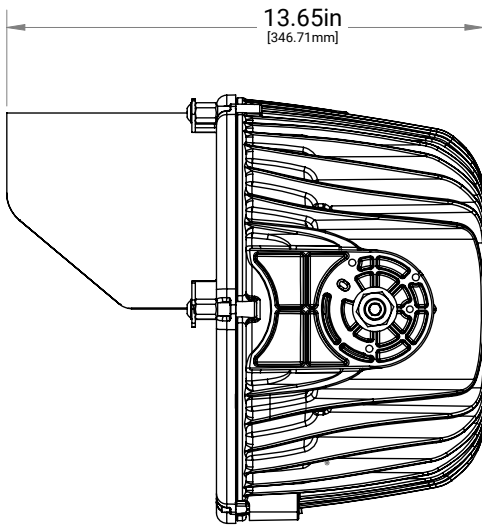


Dimensional and Mounting Details

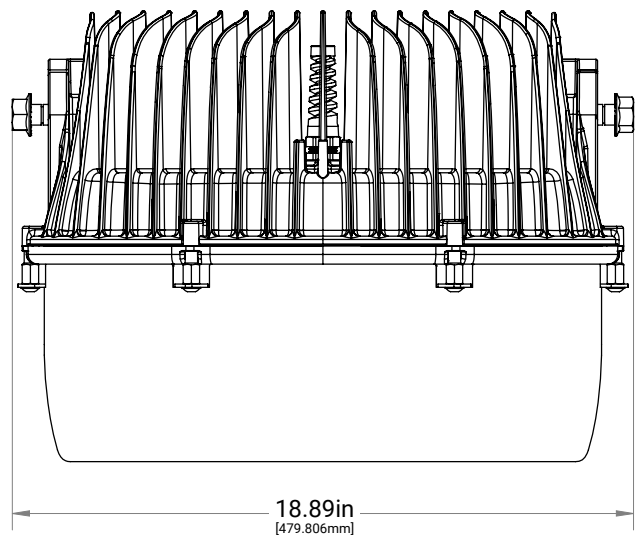
MOUNTING CONFIGURATION: Bottom Mount Yoke



VHE Visor Option Dimensional Details



LEFT PROFILE: VISOR



TOP: VISOR

Performance Data¹

| | LUMASPORT 8 PRISM (500W ²) |
|--|---|
| Nominal Power ³ | 536W |
| Input Voltage (Low Voltage) | 120 - 277VAC |
| Input Voltage (High Voltage) | 347 - 480VAC |
| Distribution (NEMA) | 2S, 4S, 5S, 7F |
| Dimming Range | DIM TO OFF, 10%-100% |
| Operating Temperature Range | -40°C to +40°C |
| Usage | INDOOR, OUTDOOR ⁴ |
| Mounting Options | LOCAL YOKE; LOCAL PENDANT; BOTTOM MOUNT YOKE FOR CATWALK BRACKET |
| Electrical Certifications | FCC, UL8750, UL1598 |
| Environmental Certifications | IP66, NEMA4X ⁵ |
| Vibration | ANSI C136.31-2010 1.5G ⁶ |
| Surge | 10kV |
| Effective Projected Area (EPA) | 1.8 (sq. ft.) |
| Effective Projected Area (EPA) with Visor (VHE) ⁷ | 1.8 - 2.5 (sq. ft.) |
| Approximate Weight ⁸ | 72.5 LBS |

NOTES:

- (1) Specifications are subject to change without notice.
- (2) Refer to Optical Performance Data.
- (3) Values are +/- 10% when fixture is operated at 25°C ambient
- (4) When driver box is mounted in upright position.
- (5) Light head meets NEMA4X Certification
- (6) LumaSport 8 with Visors (VHE) qualifies for ANSI C136, 31-2010 1.5G
- (7) EPA may vary depending on the aiming angle of the fixture.
- (8) Weight may vary depending on mounting bracket, VHE Visor option, light head and driver box selection.

Electrical Performance Data

| Product | Input voltage (V) | Nominal input power (W) | Input Current (A) | Power factor (@ max load) | THDI% (@ max load) | Inrush period (ms) | Peak Inrush (A) |
|-------------------------------|-------------------|-------------------------|-------------------|---------------------------|--------------------|--------------------|-----------------|
| EPH-LS-08-0500PL (LV Drivers) | 120 VAC | 551 | 4.6 | 1.00 | 4.7 | 0.40 | 188.0 |
| | 277 VAC | 532 | 2.0 | 0.98 | 7.9 | 0.38 | 440.0 |
| EPH-LS-08-0500PL (HV Drivers) | 347 VAC | 531 | 1.6 | 0.99 | 8.5 | 0.57 | 130.0 |
| | 480 VAC | 528 | 1.1 | 0.97 | 11.0 | 0.58 | 182.0 |

NOTES:

- (1) All the values measured at 25C ambient

Optical Performance Data

| LUMASPORT 8 PRISM (500W) Lumen Outputs ¹ | |
|---|--------|
| LED TYPE | LUMENS |
| EPHESUS RED | 9266 |
| RED/ORANGE | 10063 |
| ORANGE | 11658 |
| YELLOW | 17240 |
| LIME GREEN | 9827 |
| EPHESUS GREEN | 7974 |
| CYAN | 8353 |
| BLUE | 6719 |
| EPHESUS BLUE | 1935 |
| PURPLE | 11201 |

NOTES:

- (1) Values are +/- 10% when fixture is operated at 25°C ambient

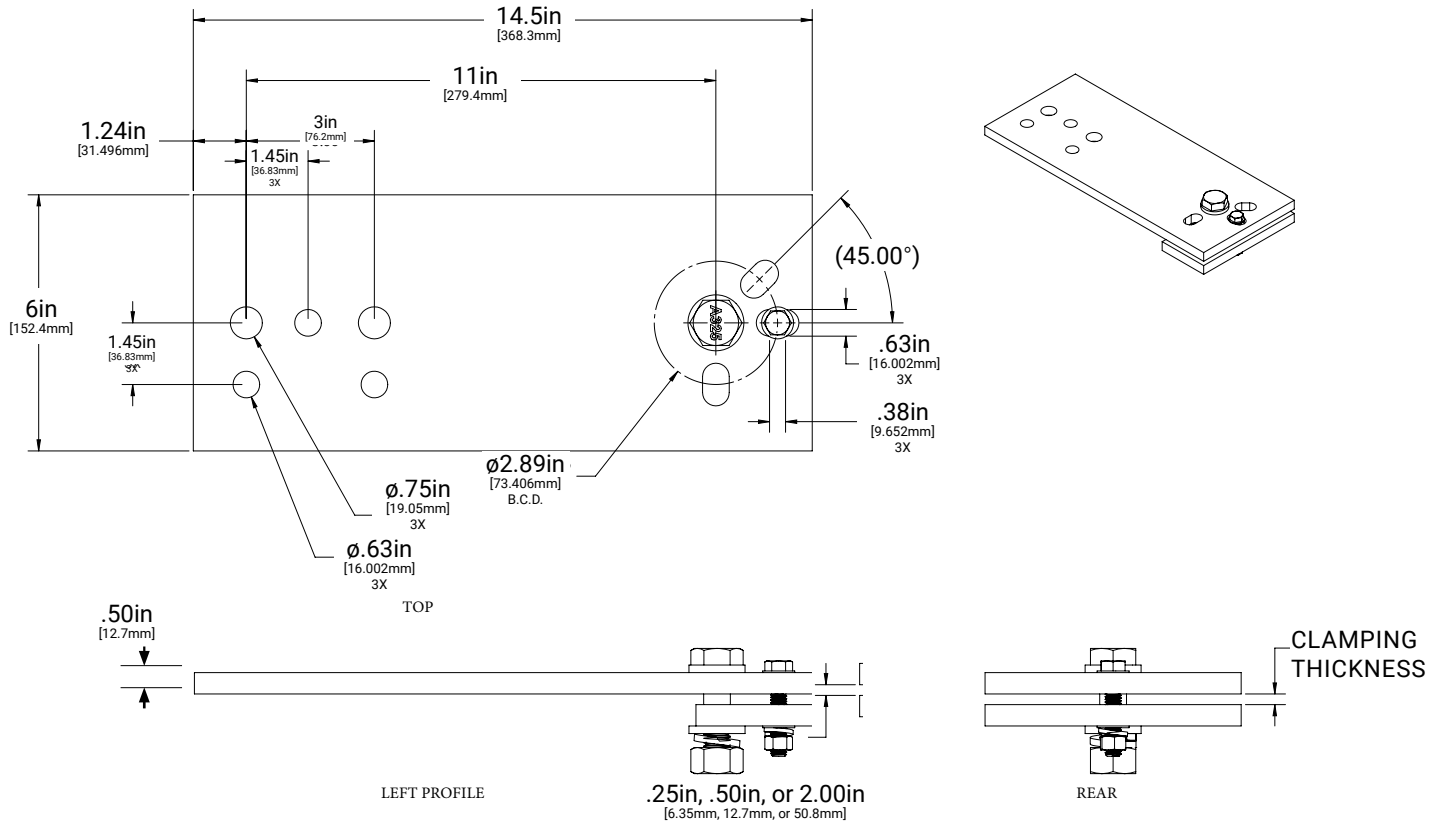
Ordering Information for Accessories

NOTE: A complete accessory order requires a selection entry for **Brand, Accessory, Option**.

SAMPLE ORDER NUMBER: **EPH-HRDM34-025**

| Brand | Accessory | Option | Intended Use |
|---------------|---|--|--|
| EPH = Ephesus | EXTPLT = Extension Plate ¹ | 025 = .25in 050 = .5in 200 = 2.0in | Extension Plate Kit to mount to structures .25in, .5in, or 2.00in thick. Designed to be used with the LUMASPORT 8 , LUMADAPT 8 , LUMASPORT 8 PRISM luminaires only. |
| | DVGBRD = Diving Board ² | | Diving Board to mount to 2in x 4in steel cross arms. Designed to be used with the LUMASPORT 8 , LUMASPORT 16 , LUMASPORT 8 PRISM & LUMASPORT 16 PRISM luminaires only. |
| | HRDM58 = Mounting Hardware 5/8in diameter | 050 = .375in - .50in Range of Clamping Thickness ³ 200 = 2in Clamping Thickness ³ | HRDM58-050 : .375-.50in clamping thickness, Use for Extension Plate (EXTPLT) or other flat surfaces drilled for 5/8in hardware HRDM58-200 : 2.00in clamping thickness, use for 2in x 4in Cross arms that are drilled for 5/8in hardware |
| | HRDM34 = Mounting Hardware 3/4in diameter | 025 = .25in ⁴ 075 = .75in ⁴ 200 = 2in ⁴ | HRDM34-025 : .25-.50in clamping thickness, use for diving board (DVGBRD) or other flat surfaces drilled for 3/4in hardware HRDM34-075 : .50-.75in clamping thickness, flat surfaces drilled for 3/4in hardware HRDM34-200 : 2.00in clamping thickness, use for 2in x 4in Cross arms that are drilled for 3/4in hardware |
| | Notes: (1) Additional mounting fastener hardware kit needed to attach a fixture to the EXTPLT = Extension Plate (2) Additional mounting fastener hardware kit needed to attach a fixture to the DVGBRD = Diving Board | Notes: (3) Option only available for use with HRDM58 (4) Option only available for use with HRDM34 | |

Extension Plate (EXTPLT) Dimension and Part Details:



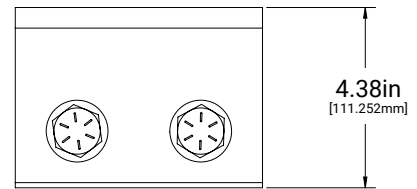
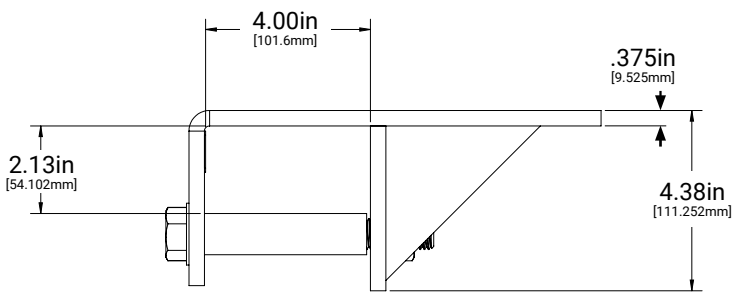
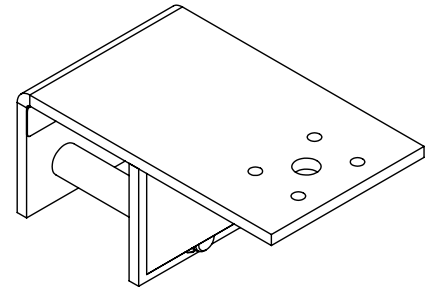
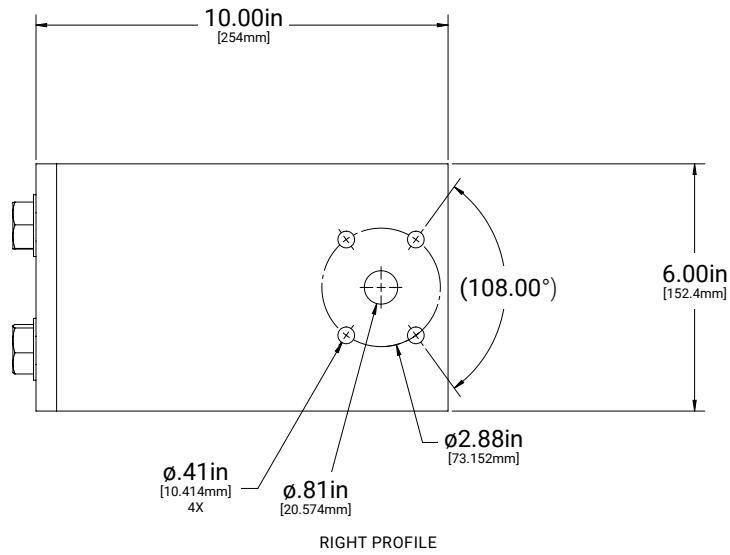
Extension Plate Data

| Model # | Weight (lbs) |
|---------------------|--------------|
| EXTPLT | 14.63 |
| EXTPLT + HRDM58-050 | 15.28 |

Extension Plate Kit Parts

| Description | Quantity |
|--------------------|----------|
| Extension Plate | 1 |
| Washer Plate | 1 |
| 5/8in Hex Bolt | 1 |
| 5/8in Washer | 2 |
| 5/8in-11 Hex Nut | 1 |
| 5/8in Split Washer | 1 |
| 3/8in Washer | 2 |
| 3/8in Hex Bolt | 1 |
| 3/8in Split Washer | 1 |
| 3/8in-16 Hex Nut | 1 |

Diving Board (DVGBRD) Dimension and Part Details:



Diving Board Data

| Model # | Weight (lbs) |
|---------------------|--------------|
| DVGBRD | 15.1 |
| DVGBRD + HRDM34-025 | 16.1 |

Diving Board Parts

| Description | Quantity |
|--|----------|
| Welded Bracket | 1 |
| Bolt Sleeve | 2 |
| 3/4in-10 X 6in Structural Hex Bolt, Hot Dip Galvanized | 2 |
| 3/4in Steel Flat Washer, Hot Dip Galvanized | 2 |
| 3/4in Ext Tooth Washer, Steel, Magni-565 Grey Polycoat | 2 |
| 3/4in-10 Structural Steel Hex Nut, Hot Dip Galvanized | 2 |
| Stainless Shim | 1 |

HRDM58 Dimension and Part Details:

HRDM58-050:

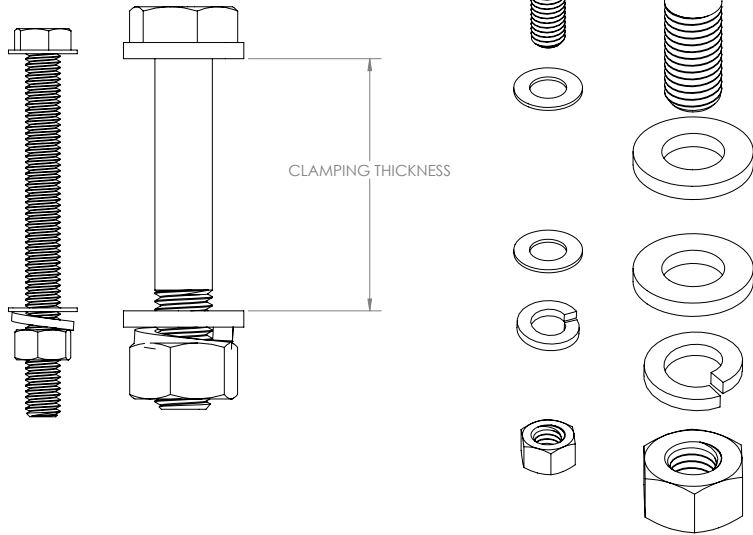
.375-.500in clamping thickness, Use for Extension Plate (EXTPLT) or other flat surfaces drilled for 5/8in hardware

HRDM58-200:

2.00in clamping thickness, use for 2in x 4in Cross arms that are drilled for 5/8in hardware

HRDM58 Data

| Model # | Weight (lbs) |
|------------|--------------|
| HRDM58-050 | .65 |
| HRDM58-200 | .84 |



HRDM34 Dimension and Part Details:

HRDM34-025:

.25-.50in clamping thickness, use for diving board (DVGBRD) or other flat surfaces drilled for 3/4in hardware

HRDM34-075:

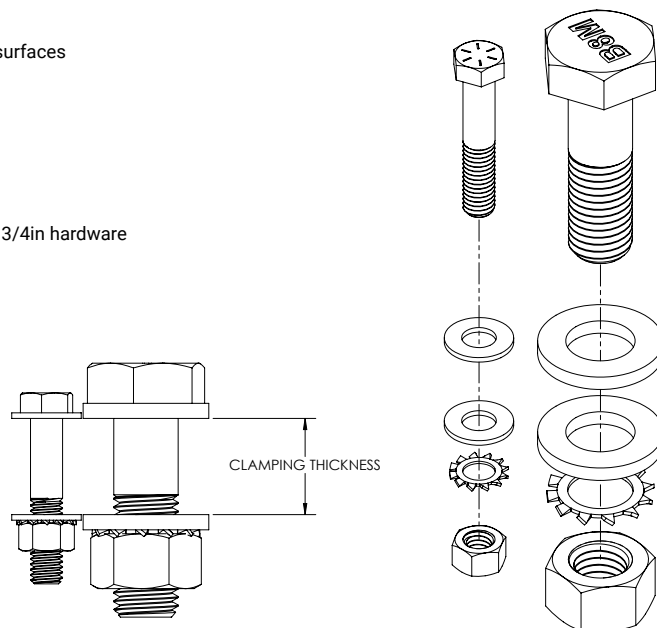
.50-.75in clamping thickness, flat surfaces drilled for 3/4in hardware

HRDM34-200:

2.00in clamping thickness, use for 2in x 4in Cross arms that are drilled for 3/4in hardware

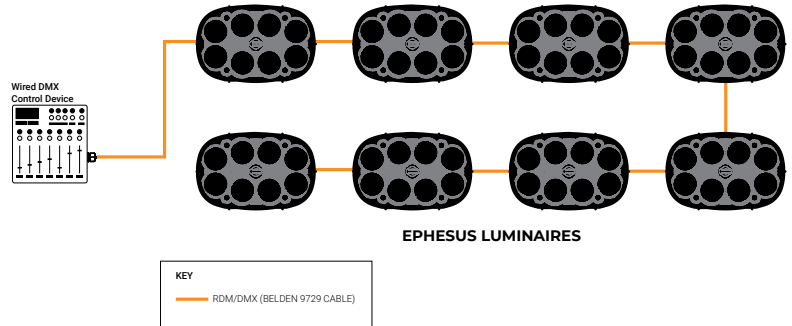
HRDM34 Data

| Model # | Weight (lbs) |
|------------|--------------|
| HRDM34-025 | 1 |
| HRDM34-075 | 1.5 |
| HRDM34-200 | 2 |



Example System Topology (Wired DMX Controls)

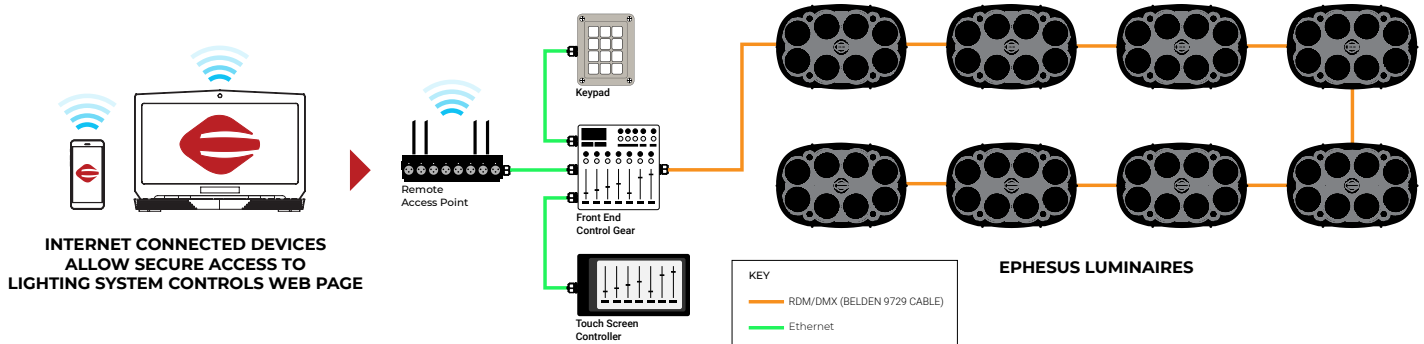
Example system topology showing the LUMASPORT 8 PRISM System in a commonly used wired DMX Control Installation. Refer to the specifications and limitations of your wired DMX control device before installing this configuration.



Example System Topology (Remote Access Point With Wired DMX Controls)

Example system topology showing the LUMASPORT 8 PRISM System in a commonly used remote access point with wired DMX Control Installation. Refer to the specifications and limitations of your wired DMX control device before installing this configuration. Note: Laptop and mobile device not included. A cellular network connection requires a cellular carrier network plan.

REMOTE ACCESS POINT TO DMX SYSTEM CONTROLS



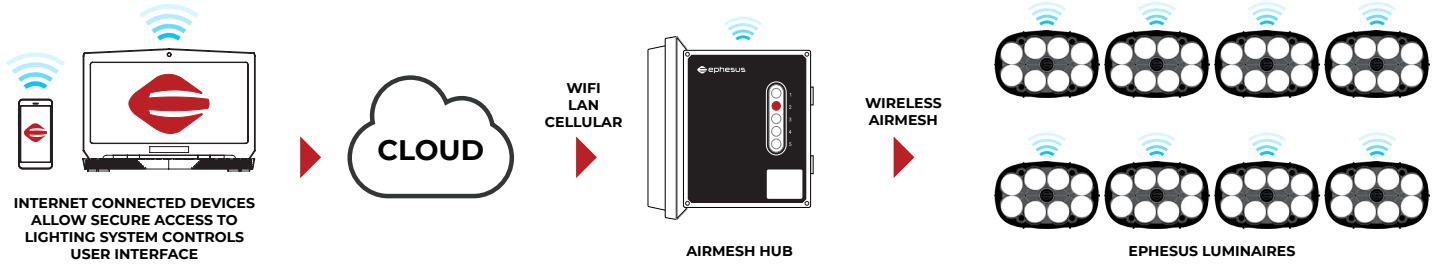
NOTES:

Remote Access Point requires either a wired Internet connection at the lighting system site or through a cellular carrier network connection plan.

Example System Topology (Wireless AirMesh Controls)

Example system topology showing the LUMASPORT 8 PRISM System in a Wireless AirMesh Control Installation.
Note: Laptop and mobile device not included. A cellular network connection requires a cellular carrier network plan.

REMOTE ACCESS



ON SITE ACCESS

