

Project		Catalog #		Type	
Prepared by		Notes		Date	



HALO Outdoor

S1FB06M2B, S1FB10M2B

Outdoor Security Light

Typical Applications

Residential • Outdoor flood • Porch • Garages • Garden areas • Driveways • Sheds • Decks • Gates/Fences

Product Certification



Product Features



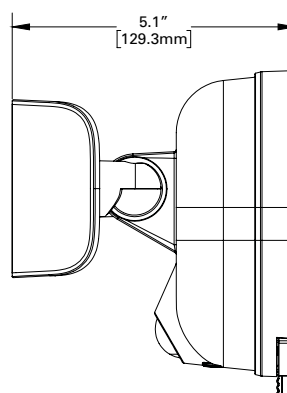
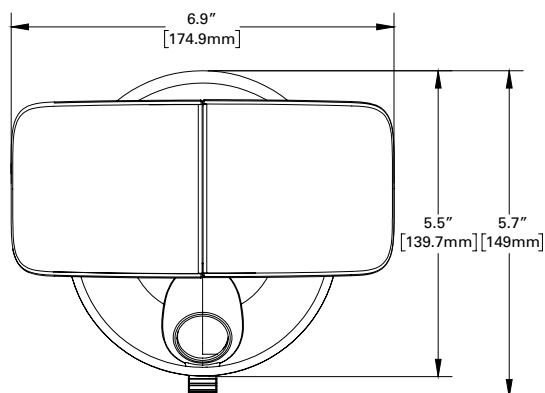
Interactive Menu

- Order Information page 2
- Photometric Data page 3

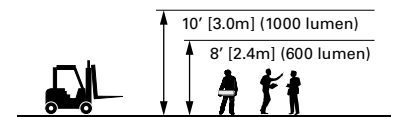
Top Product Features

- No wiring required - Perfect for sheds, decks, fences and other areas where wiring is not available.
- Easily accessible compartment for quick and hassle-free change of replaceable alkaline batteries.
- Integrated motion sensor with photocontrol conserves battery power by providing light only when you need it.

Dimensional and Mounting Details



Scale



Order Information

Icon Key: ▲ Configurable Product

SAMPLE ORDER NUMBER: **S1FB10M2B**

Family	Lumens	Type	Configuration	Color
S1FB	06 - 600 10 - 1000	M - Motion	2 - Twin Head	B - Bronze

Product Specifications

Key Features

- 600 or 1000 initial lumen output
- Integrated motion sensor
- 20-second auto shut off to help prolong battery life if no further motion is detected
- Off-grid installation takes less than 15 minutes using easy mount bracket
- 3 D-cell alkaline batteries provide over 1 year of run time (not included)*
- IP66 rated housing ideal for outdoor use

Construction

- UV resistant and rust-free polycarbonate housing is ideal for wet locations

Mounting

- Suitable for wall mounting
- Easy to mount with integrated wall bracket

Optics

- Produces 600 and 1000 lumens when fully charged
- Textured lens for glare free light distribution
- 4000K CCT is perfect for security applications

Electrical

- Up to 160° field of view and up to 30' detection range
- 27 hour run time (600lm) and 17 hour run time (1000lm) on a new set of alkaline batteries

Compliance

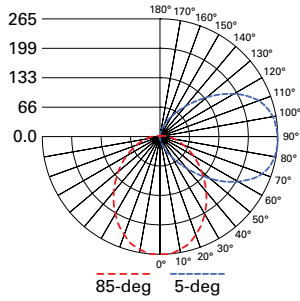
- Contains no mercury or lead and RoHS compliant
- Photometric testing in accordance with IES LM-79-08

Warranty

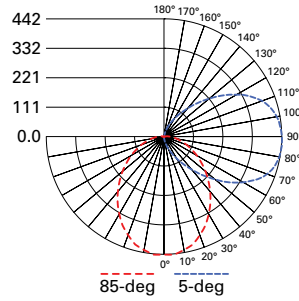
- One year limited warranty, consult website for details. www.cooperlighting.com

*Lifetime based on a activation per day and maintaining 10% of rated lumens at cut-off

Photometric Data

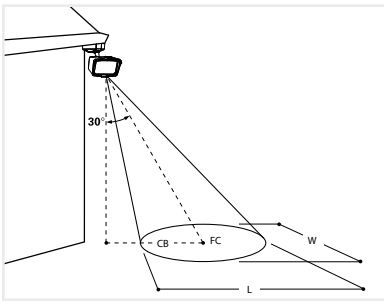


S1FB06M2B
 Lumens: 600
 Test Report: product G3-1910-523-1



S1FB10M2B
 Lumens: 1000
 Test Report: G3-1910-523-1

Energy and Performance Data



Area Coverage

Catalog Number	Mounting Height	Length (L)	Width (W)	Area Sq. FT	Max. FC
S1FB06M2B	6ft	16	18	223	6.2
	12ft	19	20	275	1.6
S1FB10M2B	6ft	19	21	312	10.4
	12ft	24	25	457	2.7

Note: Refer to IES files for more product data. Calculations are done with fixture heads tilted at 30°.