

Project		Catalog #		Type	
Prepared by		Notes		Date	



# Metalux

## CBRK Center Basket Retrofit Kit

### LED Troffer Retrofit Kit (CBRK)

#### Typical Applications

Commercial Office • Schools • Medical Facilities • Retail Facilities • Government Buildings

#### Product Certifications and Features



#### Product Features



#### Interactive Menu

- Order Information [page 2](#)
- Photometric Data [page 5](#)
- Control Solutions [page 6](#)
- Product Warranty

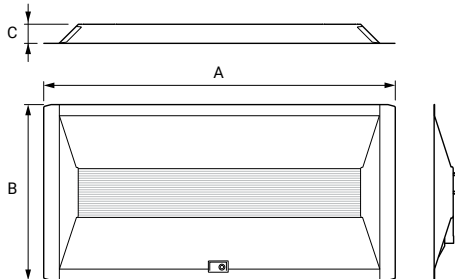
#### Top Product Features

- Center basket aesthetic with custom ribbed diffuser for an upscale look and sustainable solution to replace old fluorescent fixtures
- Comprehensive retrofit kit options include standard and high efficiency options (Up to 168LPW) delivering increased energy savings and utility rebates
- Simple and Tool-less kit reduces the installation cost associated with traditional LED retrofit kits
- Superior LED life time maintenance costs associated with fluorescent lamps replacements.
- WaveLinX LITE and Wavelinx PRO integrated sensor options help meet local energy code requirements by controlling lights based on space occupancy and daylight levels.

#### Dimensional and Mounting Details

##### Dimensions 2x4

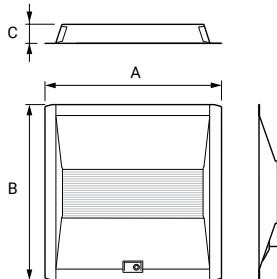
A Length	B Width	C Height
47.83"	23.9"	2.95"



WaveLinX Sensor shown, 2x2, 2x4, 1x4 details

##### Dimensions 2x2

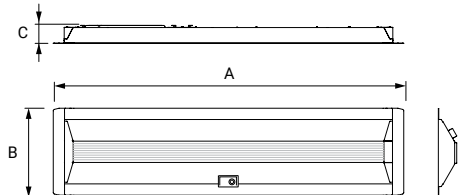
A Length	B Width	C Height
23.9"	23.9"	2.95"



\*CBRK is designed to retrofit most existing 1x4, 2x2, 2x4 recessed parabolic and lensed troffers. Cooper Lighting Solutions recommends ensuring proper fit with a CBRK sample install, prior to ordering project quantities.

##### Dimensions 1x4

A Length	B Width	C Height
47.8"	11.8"	2.44"



## Ordering Information

	Size	Product Catalog Number	Description	STK or MTO	Watts (W)	Nominal Lumens (lm) <sup>3</sup>	Color Temp. (K)	Efficacy (lm/W)
Non Sensor	1x4	14CBRK-30-UNV-L835-CD1-U	1x4 Static, 3000 lumens, 22W, 835, UNV, 0-10V	MTO	22	3087	3500K	140
	1x4	14CBRK-30-UNV-L840-CD1-U	1x4 Static, 3000 lumens, 22W, 840, UNV, 0-10V	MTO	22	3191	4000K	145
	2x2	22CBRK-21-UNV-L835-CD1-U	2x2 Static, 2100 lumens, 15W, 835, UNV, 0-10V	Stock	14.4	2345	3500K	162.8
	2x2	22CBRK-21-UNV-L840-CD1-U	2x2 Static, 2100 lumens, 15W, 840, UNV, 0-10V	Stock	15	2316	4000K	154.4
	2x2	22CBRK-21HE-UNV-L835-CD1-U	2x2 Static, HE, 2100 lumens, 14W, 835, UNV, 0-10V	MTO	14.1	2258	3500K	160
	2x2	22CBRK-21HE-UNV-L840-CD1-U	2x2 Static, HE, 2100 lumens, 14W, 840, UNV, 0-10V	MTO	13.5	2215	4000K	164.1
	2x2	22CBRK-31-UNV-L835-CD1-U	2x2 Static, 3100 lumens, 21W, 835, UNV, 0-10V	Stock	21.3	3039	3500K	142.7
	2x2	22CBRK-31-UNV-L840-CD1-U	2x2 Static, 3100 lumens, 21W, 840, UNV, 0-10V	Stock	21.3	3168	4000K	148.7
	2x2	22CBRK-A-31-UNV-L835-CD1-U	2x2 Air Return, 3100 lumens, 21W, 835, UNV, 0-10V	MTO	21.3	3039	3500K	142.7
	2x2	22CBRK-A-31-UNV-L840-CD1-U	2x2 Air Return, 3100 lumens, 21W, 840, UNV, 0-10V	MTO	21.3	3168	4000K	148.7
	2x2	22CBRK-31HE-UNV-L835-CD1-U	2x2 Static, HE, 3100 lumens, 21W, 835, UNV, 0-10V	MTO	21	3268	3500K	155.6
	2x2	22CBRK-31HE-UNV-L840-CD1-U	2x2 Static, HE, 3100 lumens, 21W, 840, UNV, 0-10V	MTO	20.3	3284	4000K	161.8
	2x2	22CBRK-31HE-UNV-L835-SD1-U	2x2 Static, HE, 3100 lumens, 21W, 835, UNV, StepDim	MTO	21.6	3268	3500K	151.3
	2x2	22CBRK-31HE-UNV-L840-SD1-U	2x2 Static, HE, 3100 lumens, 21W, 840, UNV, StepDim	MTO	21.3	3284	4000K	154.2
	2x2	22CBRK-A-21-UNV-L835-CD1-U	2x2 Air Return, 2100 lumens, 15W, 835, UNV, 0-10V	MTO	14.4	2345	3500K	162.8
	2x2	22CBRK-A-21-UNV-L840-CD1-U	2x2 Air Return, 2100 lumens, 15W, 840, UNV, 0-10V	MTO	15	2316	4000K	154.4
	2x2	22CBRK-A-21HE-UNV-L835-CD1-U	2x2 Air Return, HE, 2100 lumens, 14W, 835, UNV, 0-10V	MTO	14.1	2258	3500K	160
	2x2	22CBRK-A-21HE-UNV-L840-CD1-U	2x2 Air Return, HE, 2100 lumens, 14W, 840, UNV, 0-10V	MTO	13.5	2215	4000K	164.1
	2x2	22CBRK-A-31-UNV-L835-SD1-U	2x2 Air Return, 3100 lumens, 21W, 835, UNV, Step-Dim	MTO	21.3	3039	3500K	142.7
	2x2	22CBRK-A-31-UNV-L840-SD1-U	2x2 Air Return, 3100 lumens, 21W, 835, UNV, Step-Dim	MTO	21.3	3168	4000K	148.7
	2x2	22CBRK-A-31HE-UNV-L835-SD1-U	2x2 Air Return, 3100 lumens, 21W, 835, UNV, Step-Dim	MTO	21.6	3268	3500K	151.3
	2x2	22CBRK-A-31HE-UNV-L840-SD1-U	2x2 Air Return, 3100 lumens, 21W, 835, UNV, Step-Dim	MTO	21.3	3284	4000K	154.2
	2x2	22CBRK-A-31HE-UNV-L835-CD1-U	2x2 Air Return, 3100 lumens, 21W, 835, UNV, 0-10V	MTO	21	3268	3500K	155.6
	2x2	22CBRK-A-31HE-UNV-L840-CD1-U	2x2 Air Return, 3100 lumens, 21W, 835, UNV, 0-10V	MTO	20.3	3284	4000K	161.8
	2x4	24CBRK-30HE-UNV-L835-CD1-U	2x4 Static, HE, 3000 lumens, 19W, 835, UNV, 0-10V	MTO	19.4	3175	3500K	163.7
	2x4	24CBRK-30HE-UNV-L840-CD1-U	2x4 Static, HE, 3000 lumens, 19W, 840, UNV, 0-10V	MTO	19.2	3159	4000K	164.5
	2x4	24CBRK-36-UNV-L835-CD1-U	2x4 Static, 3600 lumens, 25W, 835, UNV, 0-10V	Stock	25	3638	3500K	145.5
	2x4	24CBRK-36-UNV-L840-CD1-U	2x4 Static, 3600 lumens, 25W, 840, UNV, 0-10V	Stock	24.3	3805	4000K	156.6
	2x4	24CBRK-36HE-UNV-L835-CD1-U	2x4 Static, HE, 3600 lumens, 23W, 835 UNV, 0-10V	MTO	23.5	3811	4000K	162.2
	2x4	24CBRK-36HE-UNV-L840-CD1-U	2x4 Static, HE, 3600 lumens, 23W, 840, UNV, 0-10V	MTO	22.6	3811	3500K	168.6
	2x4	24CBRK-42-UNV-L835-CD1-U	2x4 Static, 4200 lumens, 28W, 835 UNV 0-10V	Stock	28.3	4066	3500K	143.7
	2x4	24CBRK-42-UNV-L840-CD1-U	2x4 Static, 4200 lumens, 28W, 840, UNV, 0-10V	Stock	28.6	4210	4000K	147.2
	2x4	24CBRK-42HE-UNV-L835-CD1-U	2x4 Static, HE, 4200 lumens, 27W, 835, UNV, 0-10V	MTO	27.7	4418	3500K	159.5
	2x4	24CBRK-42HE-UNV-L840-CD1-U	2x4 Static, HE, 4200 lumens, 27W, 840, UNV, 0-10V	MTO	27.4	4398	4000K	160.5
	2x4	24CBRK-42HE-UNV-L835-SD1-U	2x4 Static, HE, 4200 lumens, 28W, 835, UNV, StepDim	MTO	28.7	4418	3500K	153.9
	2x4	24CBRK-42HE-UNV-L840-SD1-U	2x4 Static, HE, 4200 lumens, 28W, 840, UNV, StepDim	MTO	28.6	4398	4000K	153.8
	2x4	24CBRK-A-47HE-UNV-L835-CD1-U	2x4 Air Return, HE, 4700 lumens, 31W, 835, UNV, 0-10V	MTO	31.1	4946	3500K	159
	2x4	24CBRK-A-47HE-UNV-L840-CD1-U	2x4 Air Return, HE, 4700 lumens, 31W, 840, UNV, 0-10V	MTO	30.7	4902	4000K	159.7
	2x4	24CBRK-47HE-UNV-L835-CD1-U	2x4 Static, HE, 4700 lumens, 31W, 835, UNV, 0-10V	MTO	31.1	4946	3500K	159
	2x4	24CBRK-47HE-UNV-L840-CD1-U	2x4 Static, HE, 4700 lumens, 31W, 840, UNV, 0-10V	MTO	30.7	4902	4000K	159.7
	2x4	24CBRK-A-30HE-UNV-L835-CD1-U	2x4 Air Return, HE, 3000 lumens, 19W, 835, UNV, 0-10V	MTO	19.4	3175	3500K	163.7
	2x4	24CBRK-A-30HE-UNV-L840-CD1-U	2x4 Air Return, HE, 3000 lumens, 19W, 840, UNV, 0-10V	MTO	19.2	3159	4000K	164.5
	2x4	24CBRK-A-36HE-UNV-L835-CD1-U	2x4 Air Return, HE, 3600 lumens, 23W, 835, UNV, 0-10V	MTO	23.5	3811	4000K	162.2
	2x4	24CBRK-A-36HE-UNV-L840-CD1-U	2x4 Air Return, HE, 3600 lumens, 23W, 840, UNV, 0-10V	MTO	22.6	3811	3500K	168.6
	2x4	24CBRK-A-42-UNV-L835-CD1-U	2x4 Air Return, 4200 lumens, 28W, 835, UNV, 0-10V	MTO	28.3	4066	3500K	143.7
	2x4	24CBRK-A-42-UNV-L840-CD1-U	2x4 Air Return, 4200 lumens, 28W, 840, UNV, 0-10V	MTO	28.6	4210	4000K	147.2
	2x4	24CBRK-A-42HE-UNV-L835-SD1-U	2x4 Air Return, HE, 4200 lumens, 28W, 835, UNV, Step-Dim	MTO	28.7	4418	3500K	153.9
	2x4	24CBRK-A-42HE-UNV-L840-SD1-U	2x4 Air Return, HE, 4200 lumens, 28W, 840, UNV, Step-Dim	MTO	28.6	4398	4000K	153.8
2x4	24CBRK-A-42HE-UNV-L835-CD1-U	2x4 Air Return, HE, 4200 lumens, 27W, 835, UNV, 0-10V	MTO	27.7	4418	3500K	159.5	
2x4	24CBRK-A-42HE-UNV-L840-CD1-U	2x4 Air Return, HE, 4200 lumens, 27W, 840, UNV, 0-10V	MTO	27.4	4398	4000K	160.5	

## Ordering Information

Size	Product Catalog Number	Description	STK or MTO	Watts (W)	Nominal Lumens (lm) <sup>3</sup>	Color Temp. (K)	Efficacy (lm/W)
1x4	14CBRK-30-UNV-L835-CD1-WPS-U	1x4 Static, 3000 lumens, 22W, 835, UNV, 0-10V, WaveLinx PRO	MTO	22	3087	3500K	140
1x4	14CBRK-30-UNV-L840-CD1-WPS-U	1x4 Static, 3000 lumens, 22W, 840, UNV, 0-10V, WaveLinx PRO	MTO	22	3191	4000K	145
1x4	14CBRK-30-UNV-L835-CD1-WLS-U	1x4 Static, 3000 lumens, 22W, 835, UNV, 0-10V, WaveLinx LITE	MTO	22	3087	3500K	140
1x4	14CBRK-30-UNV-L840-CD1-WLS-U	1x4 Static, 3000 lumens, 22W, 840, UNV, 0-10V, WaveLinx LITE	MTO	22	3191	4000K	145
2x2	22CBRK-21-UNV-L835-CD1-WLS-U	2x2 Static, 2100 lumens, 15W, 835, UNV, 0-10V, WaveLinx LITE	MTO	14.4	2345	3500K	162.8
2x2	22CBRK-21-UNV-L840-CD1-WLS-U	2x2 Static, 2100 lumens, 15W, 840, UNV, 0-10V, WaveLinx LITE	MTO	15	2316	4000K	154.4
2x2	22CBRK-21-UNV-L835-CD1-WPS-U	2x2 Static, 2100 lumens, 15W, 835, UNV, 0-10V, WaveLinx PRO	MTO	14.4	2345	3500K	162.8
2x2	22CBRK-21-UNV-L840-CD1-WPS-U	2x2 Static, 2100 lumens, 15W, 840, UNV, 0-10V, WaveLinx PRO	MTO	15	2316	4000K	154.4
2x2	22CBRK-21HE-UNV-L835-CD1-WLS-U	2x2 Static, HE, 2100 lumens, 14W, 835, UNV, 0-10V, WaveLinx LITE	MTO	14.1	2258	3500K	160
2x2	22CBRK-21HE-UNV-L840-CD1-WLS-U	2x2 Static, HE, 2100 lumens, 14W, 840, UNV, 0-10V, WaveLinx LITE	MTO	13.5	2215	4000K	164.1
2x2	22CBRK-21HE-UNV-L835-CD1-WPS-U	2x2 Static, HE, 2100 lumens, 14W, 835, UNV, 0-10V, WaveLinx PRO	MTO	14.1	2258	3500K	160
2x2	22CBRK-21HE-UNV-L840-CD1-WPS-U	2x2 Static, HE, 2100 lumens, 14W, 840, UNV, 0-10V, WaveLinx PRO	MTO	13.5	2215	4000K	164.1
2x2	22CBRK-31-UNV-L835-CD1-WLS-U	2x2 Static, 3100 lumens, 21W, 835, UNV, 0-10V, WaveLinx Lite	MTO	21.3	3039	3500K	142.7
2x2	22CBRK-31-UNV-L840-CD1-WLS-U	2x2 Static, 3100 lumens, 21W, 840, UNV, 0-10V, WaveLinx Lite	MTO	21.3	3168	4000K	148.7
2x2	22CBRK-31-UNV-L835-CD1-WPS-U	2x2 Static, 3100 lumens, 21W, 835, UNV, 0-10V, WaveLinx PRO	MTO	21.3	3039	3500K	142.7
2x2	22CBRK-31-UNV-L840-CD1-WPS-U	2x2 Static, 3100 lumens, 21W, 840, UNV, 0-10V, WaveLinx PRO	MTO	21.3	3168	4000K	148.7
2x2	22CBRK-A-31-UNV-L835-CD1-WLS-U	2x2 Air Return, 3100 lumens, 21W, 835, UNV, 0-10V, WaveLinx LITE	MTO	21.3	3039	3500K	142.7
2x2	22CBRK-A-31-UNV-L840-CD1-WLS-U	2x2 Air Return, 3100 lumens, 21W, 840, UNV, 0-10V, WaveLinx LITE	MTO	21.3	3168	4000K	148.7
2x2	22CBRK-A-31-UNV-L835-CD1-WPS-U	2x2 Air Return, 3100 lumens, 21W, 835, UNV, 0-10V, WaveLinx PRO	MTO	21.3	3039	3500K	142.7
2x2	22CBRK-A-31-UNV-L840-CD1-WPS-U	2x2 Air Return, 3100 lumens, 21W, 840, UNV, 0-10V, WaveLinx PRO	MTO	21.3	3168	4000K	148.7
2x2	22CBRK-31HE-UNV-L835-CD1-WLS-U	2x2 Static, HE, 3100 lumens, 21W, 835, UNV, 0-10V, WaveLinx LITE	MTO	21	3268	3500K	155.6
2x2	22CBRK-31HE-UNV-L840-CD1-WLS-U	2x2 Static, HE, 3100 lumens, 21W, 840, UNV, 0-10V, WaveLinx LITE	MTO	20.3	3284	4000K	161.8
2x2	22CBRK-31HE-UNV-L835-CD1-WPS-U	2x2 Static, HE, 3100 lumens, 21W, 835, UNV, 0-10V, WaveLinx PRO	MTO	21	3268	3500K	155.6
2x2	22CBRK-31HE-UNV-L840-CD1-WPS-U	2x2 Static, HE, 3100 lumens, 21W, 840, UNV, 0-10V, WaveLinx PRO	MTO	20.3	3284	4000K	161.8
2x4	24CBRK-30HE-UNV-L835-CD1-WLS-U	2x4 Static, HE, 3000 lumens, 19W, 835, UNV, 0-10V, WaveLinx LITE	MTO	19.4	3175	3500K	163.7
2x4	24CBRK-30HE-UNV-L840-CD1-WLS-U	2x4 Static, HE, 3000 lumens, 19W, 840, UNV, 0-10V, WaveLinx LITE	MTO	19.2	3159	4000K	164.5
2x4	24CBRK-30HE-UNV-L835-CD1-WPS-U	2x4 Static, HE, 3000 lumens, 19W, 835, UNV, 0-10V, WaveLinx PRO	MTO	19.4	3175	3500K	163.7
2x4	24CBRK-30HE-UNV-L840-CD1-WPS-U	2x4 Static, HE, 3000 lumens, 19W, 840, UNV, 0-10V, WaveLinx PRO	MTO	19.2	3159	4000K	164.5
2x4	24CBRK-36-UNV-L835-CD1-WLS-U	2x4 Static, 3600 lumens, 25W, 835, UNV, 0-10V, WaveLinx LITE	MTO	25	3638	3500K	145.5
2x4	24CBRK-36-UNV-L840-CD1-WLS-U	2x4 Static, 3600 lumens, 25W, 840, UNV, 0-10V, WaveLinx LITE	MTO	24.3	3805	4000K	156.6
2x4	24CBRK-36-UNV-L835-CD1-WPS-U	2x4 Static, 3600 lumens, 25W, 835, UNV, 0-10V, WaveLinx PRO	MTO	25	3638	3500K	145.5
2x4	24CBRK-36-UNV-L840-CD1-WPS-U	2x4 Static, 3600 lumens, 25W, 840, UNV, 0-10V, WaveLinx PRO	MTO	24.3	3805	4000K	156.6
2x4	24CBRK-36HE-UNV-L835-CD1-WLS-U	2x4 Static, HE, 3600 lumens, 23W, 835 UNV, 0-10V, WaveLinx LITE	MTO	23.5	3811	4000K	162.2
2x4	24CBRK-36HE-UNV-L840-CD1-WLS-U	2x4 Static, HE, 3600 lumens, 23W, 840, UNV, 0-10V, WaveLinx LITE	MTO	22.6	3811	3500K	168.6
2x4	24CBRK-36HE-UNV-L835-CD1-WPS-U	2x4 Static, HE, 3600 lumens, 23W, 835 UNV, 0-10V, WaveLinx PRO	MTO	23.5	3811	4000K	162.2
2x4	24CBRK-36HE-UNV-L840-CD1-WPS-U	2x4 Static, HE, 3600 lumens, 23W, 840, UNV, 0-10V, WaveLinx PRO	MTO	22.6	3811	3500K	168.6
2x4	24CBRK-42-UNV-L835-CD1-WLS-U	2x4 Static, 4200 lumens, 28W 835 UNV 0-10V, WaveLinx LITE	MTO	28.3	4066	3500K	143.7
2x4	24CBRK-42-UNV-L840-CD1-WLS-U	2x4 Static, 4200 lumens, 28W, 840, UNV, 0-10V, WaveLinx LITE	MTO	28.6	4210	4000K	147.2
2x4	24CBRK-42-UNV-L835-CD1-WPS-U	2x4 Static, 4200 lumens, 28W 835 UNV 0-10V, WaveLinx PRO	MTO	28.3	4066	3500K	143.7
2x4	24CBRK-42-UNV-L840-CD1-WPS-U	2x4 Static, 4200 lumens, 28W, 840, UNV, 0-10V, WaveLinx PRO	MTO	28.6	4210	4000K	147.2
2x4	24CBRK-42HE-UNV-L835-CD1-WLS-U	2x4 Static, HE, 4200 lumens, 27W, 835, UNV, 0-10V, WaveLinx LITE	MTO	27.7	4418	3500K	159.5
2x4	24CBRK-42HE-UNV-L840-CD1-WLS-U	2x4 Static, HE, 4200 lumens, 27W, 840, UNV, 0-10V, WaveLinx LITE	MTO	27.4	4398	4000K	160.5
2x4	24CBRK-42HE-UNV-L835-CD1-WPS-U	2x4 Static, HE, 4200 lumens, 27W, 835, UNV, 0-10V, WaveLinx PRO	MTO	27.7	4418	3500K	159.5
2x4	24CBRK-42HE-UNV-L840-CD1-WPS-U	2x4 Static, HE, 4200 lumens, 27W, 840, UNV, 0-10V, WaveLinx PRO	MTO	27.4	4398	4000K	160.5
2x4	24CBRK-A-47HE-UNV-L835-CD1-WLS-U	2x4 Air Return, HE, 4700 lumens, 31W, 835, UNV, 0-10V, WaveLinx LITE	MTO	31.1	4946	3500K	159
2x4	24CBRK-A-47HE-UNV-L840-CD1-WLS-U	2x4 Air Return, HE, 4700 lumens, 31W, 840, UNV, 0-10V, WaveLinx LITE	MTO	30.7	4902	4000K	159.7
2x4	24CBRK-A-47HE-UNV-L835-CD1-WPS-U	2x4 Air Return, HE, 4700 lumens, 31W, 835, UNV, 0-10V, WaveLinx PRO	MTO	31.1	4946	3500K	159
2x4	24CBRK-A-47HE-UNV-L840-CD1-WPS-U	2x4 Air Return, HE, 4700 lumens, 31W, 840, UNV, 0-10V, WaveLinx PRO	MTO	30.7	4902	4000K	159.7
2x4	24CBRK-47HE-UNV-L835-CD1-WLS-U	2x4 Static, HE, 4700 lumens, 31W, 835, UNV, 0-10V, WaveLinx LITE	MTO	31.1	4946	3500K	159
2x4	24CBRK-47HE-UNV-L840-CD1-WLS-U	2x4 Static, HE, 4700 lumens, 31W, 840, UNV, 0-10V, WaveLinx LITE	MTO	30.7	4902	4000K	159.7
2x4	24CBRK-47HE-UNV-L835-CD1-WPS-U	2x4 Static, HE, 4700 lumens, 31W, 835, UNV, 0-10V, WaveLinx PRO	MTO	31.1	4946	3500K	159
2x4	24CBRK-47HE-UNV-L840-CD1-WPS-U	2x4 Static, HE, 4700 lumens, 31W, 840, UNV, 0-10V, WaveLinx PRO	MTO	30.7	4902	4000K	159.7

## Accessories

CBRK now offered with WaveLinX LITE (WLS) and WaveLinX PRO (WPS) integrated sensors. See pages 7 and 8 for detailed information.

Accessories	Packaging
<p><b>Accessories <sup>(7)</sup></b></p> <p><b>0590CZRKEQCABLE PK=Earthquake Cable Kit</b></p> <p><b>Notes</b></p> <p>(7) Accessories sold separately will be separately analyzed under domestic preference requirements. Consult factory for further information.</p>	<p><b>Packaging</b></p> <p><b>U=Unit Pack</b>  <b>PAL=Job Pack, no carton, narrow pallet <sup>(9)</sup></b>  <b>PALC=Job Pack, in carton, narrow pallet</b></p> <p><b>Notes</b></p> <p>(9) PAL not available with sensors or emergency.</p>



Catalog Number	Description
CBRK-EQCBL	Earthquake cable 12.5" (317mm)
CBRK-EBPLED14W-UNV <sup>(8)</sup>	CBRK field installed emergency battery backup, 14W, with necessary brackets
CBRK-ETRD <sup>(8)</sup>	CBRK field installed lora emergency transfer relay with dimming control

(8) Designed for use with 22CBRK/24CBRK only (For 14CBRK use factory installed option)

## Air Return Data

The air return versions of CBRK are suitable for retrofitting listed air return troffers.

### 2x2 Air Return Data

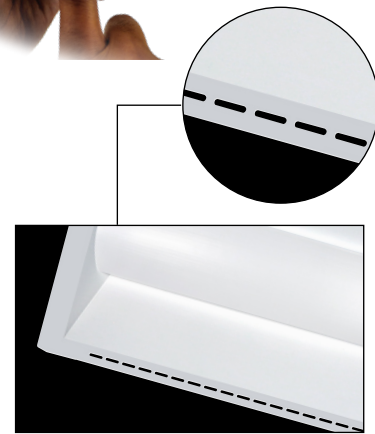
Return Air Volume, SCFM	61	69	80	97	112	131
Negative Static Pressure, in. H <sub>2</sub> O	0.11	0.15	0.20	0.30	0.40	0.55
Noise Criteria (NC)	17	21	25	31	34	38

Note: 24 total air slots, each 30mm x 6mm

### 2x4 Air Return Data

Return Air Volume, SCFM	105	119	128	162	259	272
Negative Static Pressure, in. H <sub>2</sub> O	0.05	0.08	0.10	0.20	0.45	0.55
Noise Criteria (NC)*	<15	32	32	36	38	40

Note: 50 total air slots, each 30mm x 6mm



## Product Specifications

### Construction / Finish

- Simple design allows for quick installation in existing luminaire without the need to break the ceiling plenum
- Galvanized steel inhibits corrosion and provides a more durable product
- Integrated securement tabs for securement to existing troffer housing
- Minimum depth of 3" necessary to allow proper clearance and installation of the CBRK
- White powder coated after fabrication with durable finish to ensure no unfinished edges and inhibit corrosion
- Components fit together without the need for tools during installation
- LED boards and drivers are field replaceable

### Features

- A highly efficient LED retrofit kit designed to replace recessed linear fluorescent troffers.
- Extremely high efficacies up to 162 lumens per watt\*
- Excellent color rendering with a CRI above 80 improves occupants' visual experience within the space.
- Available with WaveLinX LITE and WaveLinX PRO integrated sensors to easily meet energy code (IEC, ASHRAE 90.1, Title 24) and eliminate the need to install and wire standalone sensors.
- Designed for use with NEMA Type "G" Inverted T-Grid ceiling systems

### Electrical

- Drivers with 0-10V dimming allow for maximum fixture efficiency and provide 10% dimming (Step-Dim Optional on select skus)
- Five-year limited warranty includes all components of the retrofit kit, including driver, LED board and nonelectrical components. Extended warranty to 10 years available
- CBRK projected lumen maintenance based on TM21 testing standards is L85 @ 60,000 hours

### Control Options

- WaveLinX LITE - Meet your energy local code without having to install any additional devices other than wireless keypads (refer to the WaveLinX Overview section for more information)
- WaveLinX PRO - Go above and beyond energy code compliance by offering value added applications that take advantage of your connected luminaires (remote lighting system management, scheduling, demand Response, energy report, occupancy report and asset location).

### Certifications

- cULus listed for 25°C ambient environments, indoor applications
- DesignLights Consortium® Qualified and classified for DLC Premium (refer to www.designlights.org for details)

### Lens

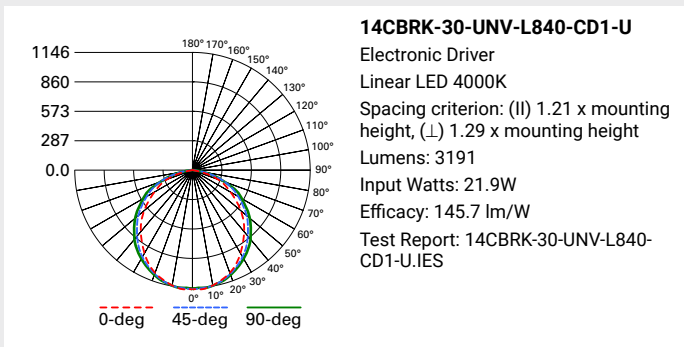
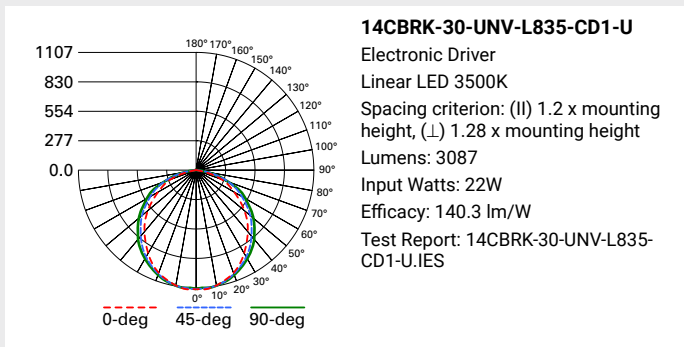
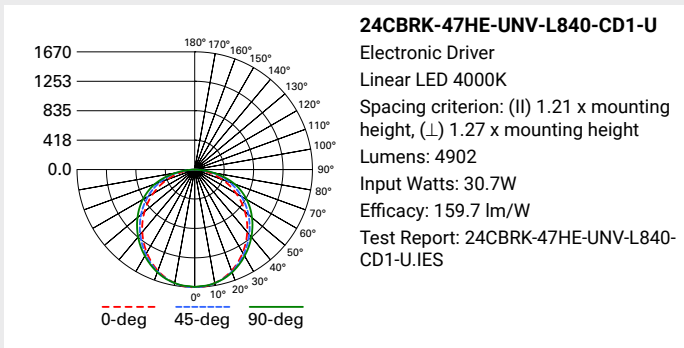
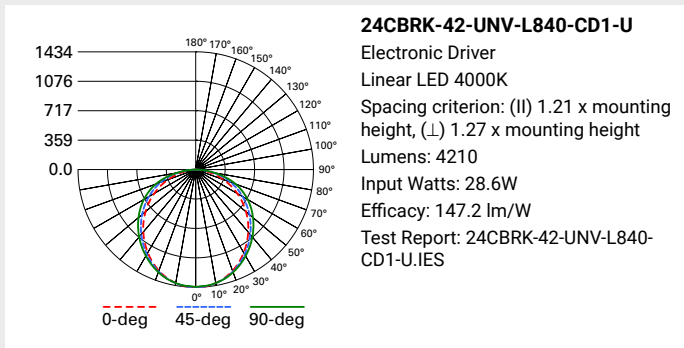
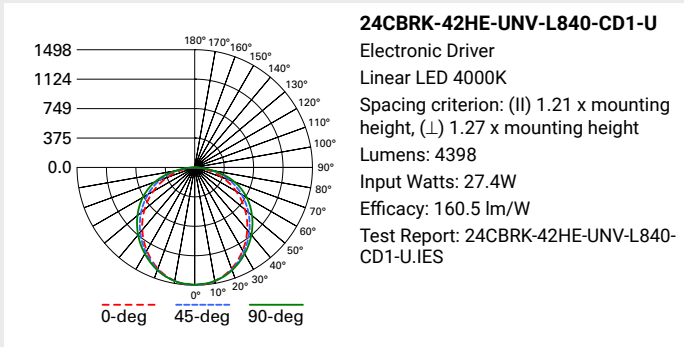
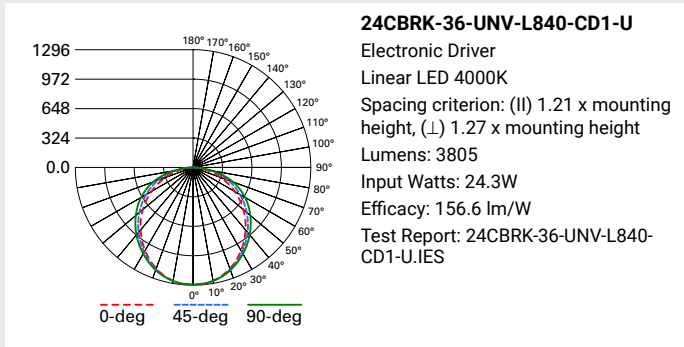
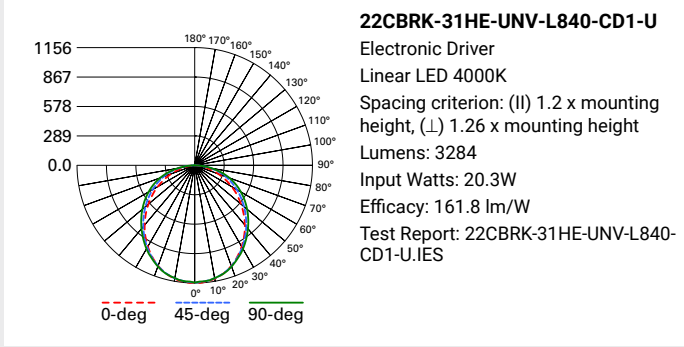
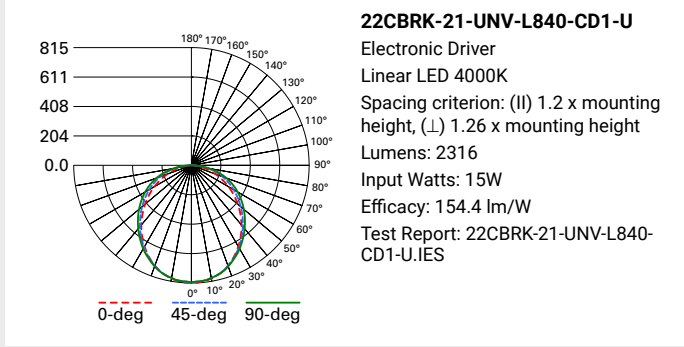
- Easily removed from below without tools
- Precision optics for optimal distribution, high efficacy and pleasing aesthetics
- Frosted acrylic lens with interior linear ribs, for easy wipe-down and visual comfort
- Replacement lenses available, contact factory

### Accessories

- 2x4/2x2 CBRK suitable for use with field installed emergency backup as shown in table on page 2
- 1x4 CBRK offers factory installed emergency options including "EL7" and "ETRD"
- Earthquake cables available for additional securement to the existing troffer

**Photometric Data**

 [View IES files](#)



## Control Solutions

- WaveLinX LITE wireless
- WaveLinX PRO wireless
- WaveLinX CAT wired
- WaveLinX Wired



The CBRK with WaveLinX offers no-hassle lighting control with multiple luminaire level control solutions.



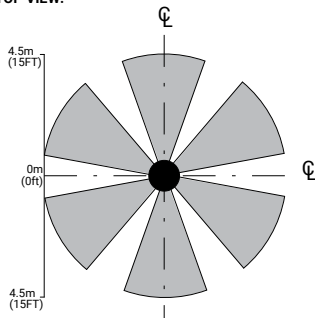
**WaveLinX PRO** is a wireless lighting control solution, for connected spaces, that significantly reduces a building's energy consumption. From a single floor to an entire campus, WaveLinX PRO connects more than lighting assets; it shares aggregated sensor data with the WaveLinX CORE platform and other building systems, so building owners can improve operations, spaces environment, and tenants' experience. WaveLinX PRO offers a rich portfolio of wireless devices, WaveLinX PRO-enabled luminaires, and an intuitive WaveLinX mobile app for office, education, warehouse, and parking garage applications.



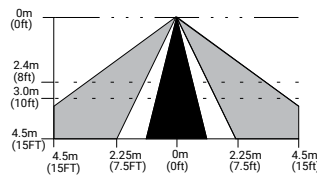
**WaveLinX LITE** is a cost effective, wireless digital lighting control solution, with out-of-the-box functionality, that saves energy and meets code. It's designed for applications that require occupancy-based, daylighting, or manual light control. Customize installations for office, education, warehouse and parking garages using the secure, simple mobile app.

### Integrated Sensor Coverage Pattern

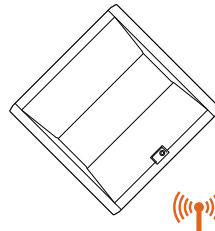
TOP VIEW:



SIDE VIEW:



### With Integrated WaveLinX Sensor



**Note:** Installation of integrated sensors within 3-ft (1m) of HVAC air vents is not recommended. The pattern shown is intended solely as a general guide and is not to scale.

### Integrated Controls Options

Option	Out of the Box Functionality	Luminaire Level Lighting Control (LLC)	Automatic Dimming Photocell	Occupancy Sensing	CCT Control
WLS	X	X	X	X	
WLN		X			
WPS		X	X	X	X
WPN		X			X

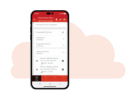
**Note:** WaveLinX utilizes scenes to allow users to change an area's fixtures Correlated Color Temperature (CCT) and intensity using commissioned manual wireless wallstation scene control. To enable CCT adjustments through WaveLinX, include WPS or WPN devices in addition to VividTune or BioUp technologies for integrated fixture control.

## Systems comparison chart

Cooper Lighting Solutions provides many lighting system solutions designed to satisfy code requirements and meet the unique needs of any project.



**Luminaire with standalone sensor**



**Standalone Spaces WaveLinX LITE**



**Standalone Spaces WaveLinX CAT**



**Networked Spaces WaveLinX PRO**



**Enterprise WaveLinX CORE**

<b>Occupancy</b>	Yes	Yes	Yes	Yes	Yes
<b>Daylighting</b>	Yes	Yes	Yes	Yes	Yes
<b>Wallstations</b>	-	Yes	Yes	Yes	Yes
<b>Gateways</b>	-	-	-	1 WAC	300 WACs
<b>Devices (MAX)</b>	-	40 per Area (1120 per space)	40 per Area	200 per WAC2	32,500 per CORE Enterprise
<b>Software</b>	-	WaveLinX LITE Mobile App	WaveLinX CAT Mobile App	WaveLinX Mobile App	CORE
<b>Areas</b>	-	28 per Space	Unlimited	50 per WAC2	up to 3,000
<b>Zones</b>	-	16 per Area	16 per Area	16 per Area	up to 9,000
<b>Scheduling</b>	-	-	-	Local	Global
<b>VividTune™</b>	-	-	-	Yes	Yes
<b>Plug-Load Control</b>	-	Yes	Yes	Yes	Yes
<b>Low-Voltage Power</b>	-	-	Yes	Yes	Yes
<b>Integration</b>	-	-	-	-	BACnet, API
<b>Dashboards</b>	-	-	-	-	Energy, Occupancy
<b>Configuration</b>	-	Installer	Installer	Technician	Technician / IT

## WaveLinx Overview



### WaveLinx LITE integrated sensor (WLS)

The WaveLinx LITE integrated sensor allows the retrofitted luminaire to become part of the WaveLinx LITE system. The WaveLinx LITE is a code compliant lighting control system. It is an IEEE 802.15.4 based sensor communicating using Bluetooth® Low Energy (BLE) standard. The WaveLinx LITE enabled devices are able to communicate with each other without the requirement of a gateway, i.e. sensors can communicate with each other directly as well with a mobile phone with the WaveLinx LITE app.

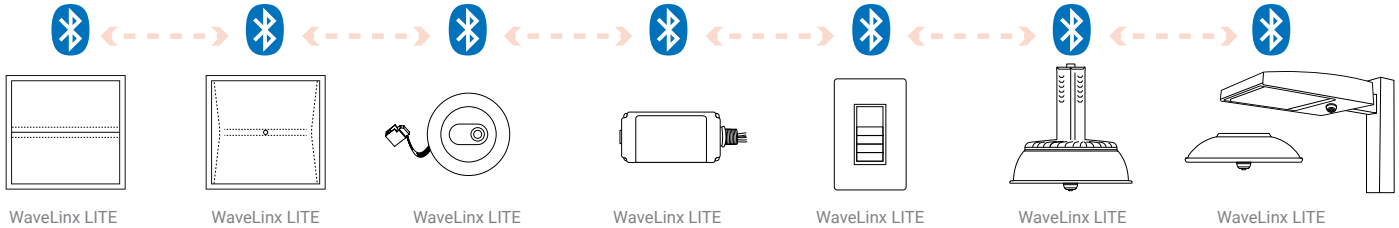
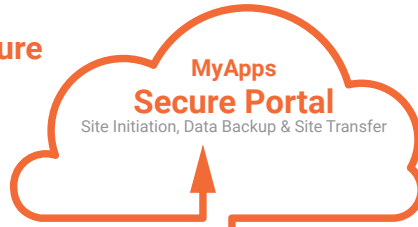
WaveLinx LITE enabled luminaires can operate independently or within a group.

The luminaire would operate in standalone mode out of the box. In standalone mode, the installer can use the WaveLinx LITE mobile app to adjust the luminaires settings, i.e. occupancy time-out, sensitivity, high level trim, etc...

Using the same mobile app, the installer can group these independent luminaires so that they can be controlled as a group. The installer creates areas, zones and occupancy sets and assigns luminaires to them. No gateway is required. The mobile app communicates with the luminaires by leveraging the mobile phone Bluetooth interface.



## WaveLinx Lite System Architecture



## WaveLinx Overview - continued



### The WaveLinx Pro integrated sensor (WPS)

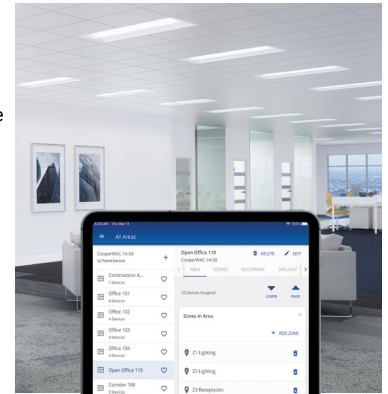
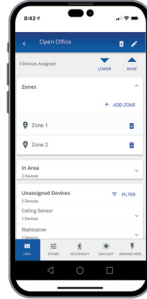
The WaveLinx PRO integrated sensor allows the retrofitted luminaire to become part of the WaveLinx PRO system. WaveLinx PRO goes beyond energy code compliance. It unlocks the value of connected lighting system by sharing the data gathered by the sensors with Cooper Lighting's Smart Spaces platform, Trellix, as well as other smart building platforms.

WaveLinx PRO is also an IEEE 802.15.4 based sensor. However, unlike the WaveLinx LITE sensor, the PRO sensor communicates using a Zigbee-based standard. The WaveLinx PRO system requires a gateway, WaveLinx Area Controller, to coordinate the data exchange between the devices.

WaveLinx PRO enabled luminaires can operate independently or within a group when paired to the WaveLinx Area Controller.

The luminaire would operate in standalone mode out of the box. The installer can use the WaveLinx IR remote to set sensor hold times and sensitivity.

When the sensor is paired to a WaveLinx Area Controller the installer can use the WaveLinx Wireless mobile app to group these independent luminaires so they can be controlled as a group. The WaveLinx Mobile app allows you to map the sensor to any area or control zone, select occupancy or vacancy, occupied and unoccupied light levels and set the hold time.



## System Diagram:

This diagram shows the main components of the WaveLinx connected lighting system with CAT and PRO devices.

The PRO devices communicate using wireless mesh technology based on the IEEE 802.15.4 standard. A PoE LAN connection for each WaveLinx Area Controller (WAC) is required for power and data access to the building lighting network.

The CAT devices communicate over the category 5 based communication bus and control the light fixtures using a relay (on/off) and 0-10V output (dim/raise).

WaveLinx Area Controllers (WAC) communicate with WaveLinx CORE Apps over the Ethernet network.

