

Installation Instructions -Cirque and Omni Surface

! WARNING

Risk of Fire, Electrical Shock, Cuts or other Casualty Hazards- Installation and maintenance of this product must be performed by a qualified electrician. This product must be installed in accordance with the applicable installation code by a person familiar with the construction and operation of the product and hazards involved.



Risk of Fire and Electric Shock- Make certain power is OFF before starting installation or attempting any maintenance. Disconnect power at fuse or circuit breaker.



Risk of Fire- Minimum 90°C supply conductors.



Risk of Burn- Disconnect power and allow fixture to cool before handling or servicing.

Risk of Personal Injury- Due to sharp edges, handle with care.

Risk of Personal Injury- Fixture not intended to be installed in a gymnasium or other space where impacts from objects can occur.

Failure to comply with these instructions may result in death, serious bodily injury and property damage.

DISCLAIMER OF LIABILITY: Cooper Lighting Solutions assumes no liability for damages or losses of any kind that may arise from the improper, careless, or negligent installation, handling or use of this product.

IMPORTANT: Read carefully before installing fixture. Retain for future reference.






NOTICE: Green ground screw provided in proper location. Do not relocate.








NOTICE: Fixture may become damaged and/or unstable if not installed properly.

Note: Specifications and dimensions subject to change without notice.

ATTENTION Receiving Department: Note actual fixture description of any shortage or noticeable damage on delivery receipt. File claim for common carrier (LTL) directly with carrier. Claims for concealed damage must be filed within 15 days of delivery. All damaged material, complete with original packing must be retained.

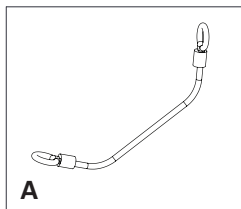
Wiring Table

Power Supply (Input)	
	Black (BK) - Hot
	White (WT) - Neutral
	Green (GN) - Ground
	Violet (VT) - Dimming I+
	Pink (PK) - Dimming I-

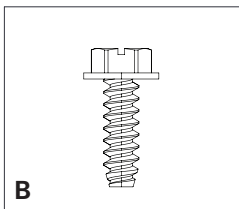
Power Supply (Input) - When Applicable	
	Black/Red (BK/RD) - Emergency Hot
	White/Red (WT/RD) - Emergency Neutral
	Black/Orange (BK/OR) - 2nd Circuit Hot
	White/Orange (WT/OR) - 2nd Circuit Neutral
	Orange (OR) - 2nd Circuit Dimming I+
	Yellow (YL) - 2nd Circuit Dimming I-
	Blue (BL) - Battery/Emergency Unswitched Hot

Recommended Equipment:

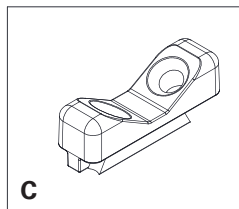
- 1/4" nut driver
- Flathead screwdriver
- Gloves



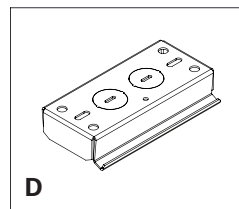
A Safety Cable



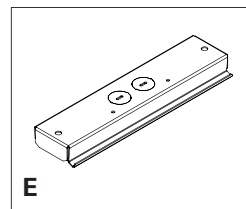
B #8-18 x 1/2 HWH



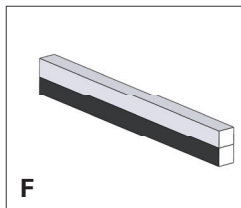
C Cast Joiner



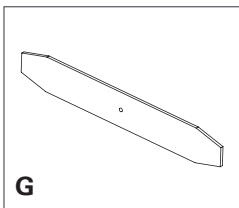
D Single Bracket



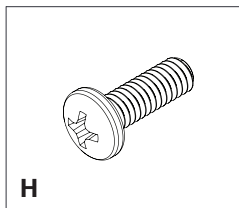
E Dual Bracket



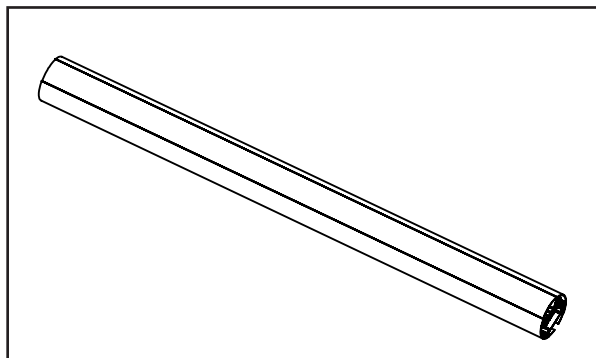
F Baffle Gasket
(optional)



G Biscuit Aligner



H #8-32 x 1/2
Pan Head Phil



Lenses and baffles are pre-installed in the light fixture.

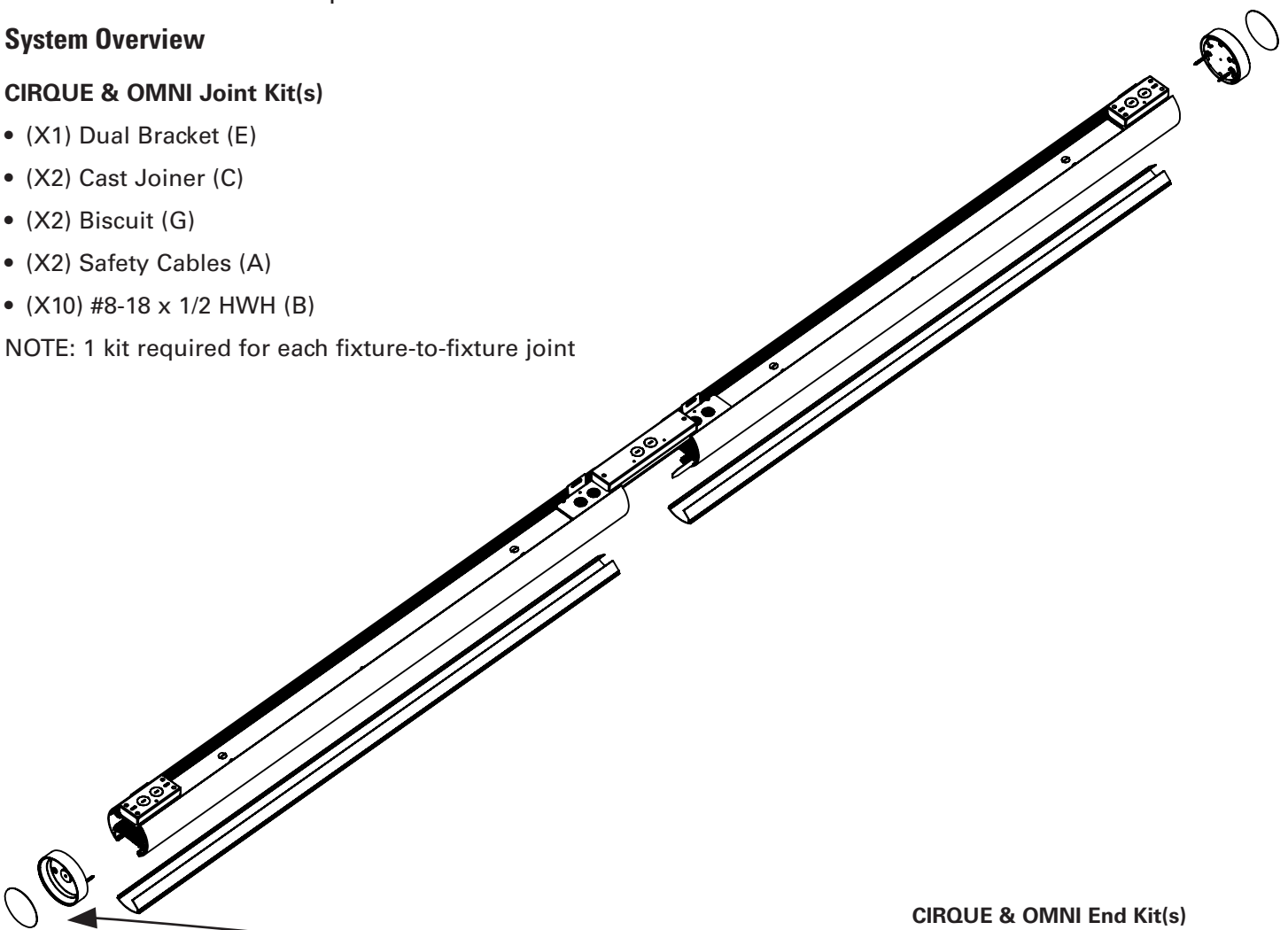
Installation Instructions - Cirque & Omni Surface

System Overview

CIRQUE & OMNI Joint Kit(s)

- (X1) Dual Bracket (E)
- (X2) Cast Joiner (C)
- (X2) Biscuit (G)
- (X2) Safety Cables (A)
- (X10) #8-18 x 1/2 HWH (B)

NOTE: 1 kit required for each fixture-to-fixture joint



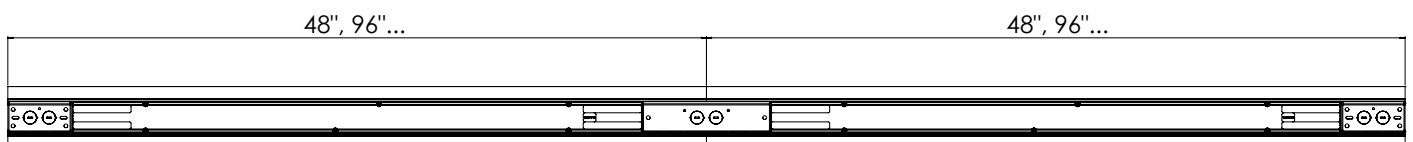
CIRQUE & OMNI End Kit(s)

- (x1) Die-Cast Endcap
- (x1) End Plate
- (x2) #8-18 x 1/2 HWH Screws (C)

NOTE: 2 kits required for each run (one for each end)

Mount Spacing

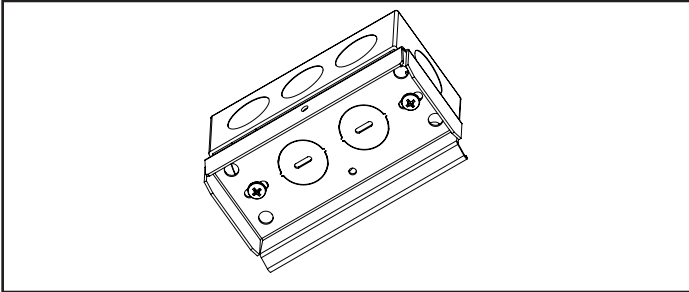
Align the beginning of run single surface mount bracket (D) with the end of the fixture. The distance to the center of each subsequent bracket should then match each nominal fixture length. The end of run bracket should then be aligned with the end of the last fixture.



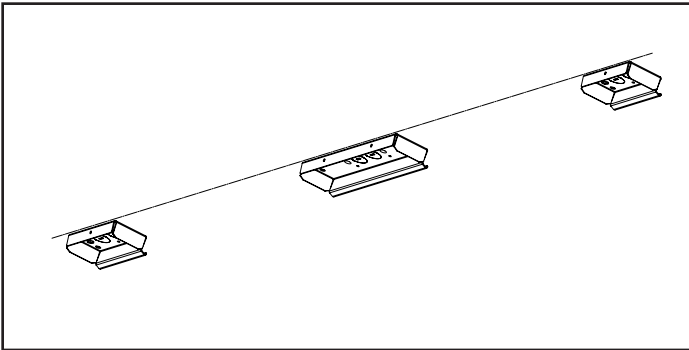
Installation Instructions - Cirque & Omni Surface

① Install Surface Mount Brackets

Secure the single surface mount bracket (D) to the J-Box using #8-32x1/2 PHP Screws (I). Secure the next surface mount bracket (D) or (E) with appropriate screws for the surface (provided by others). Ensure all brackets are aligned in a straight line.

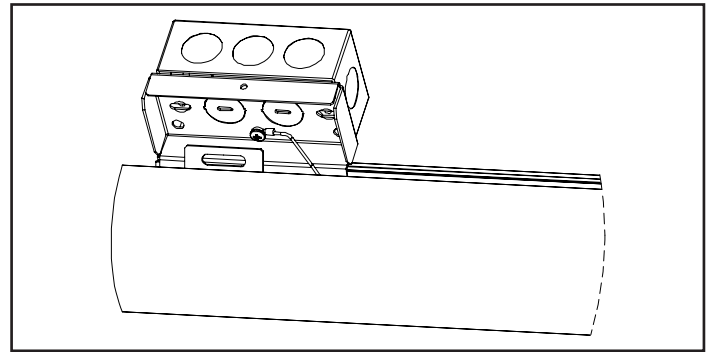
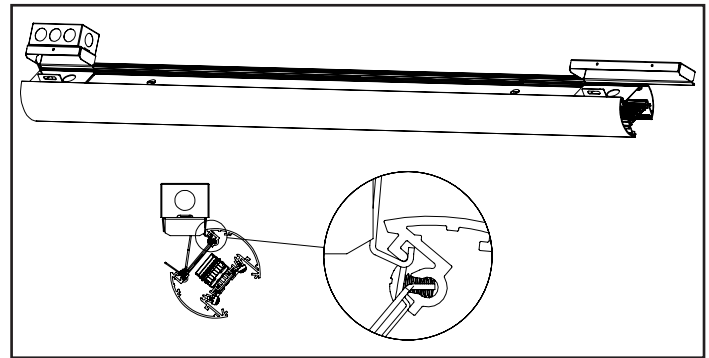
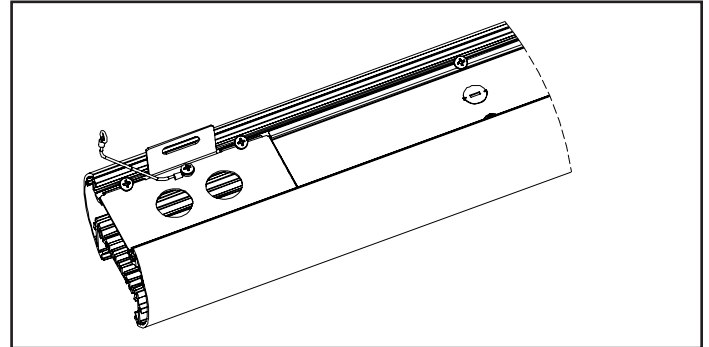


Ensure all brackets are aligned and facing the same direction.



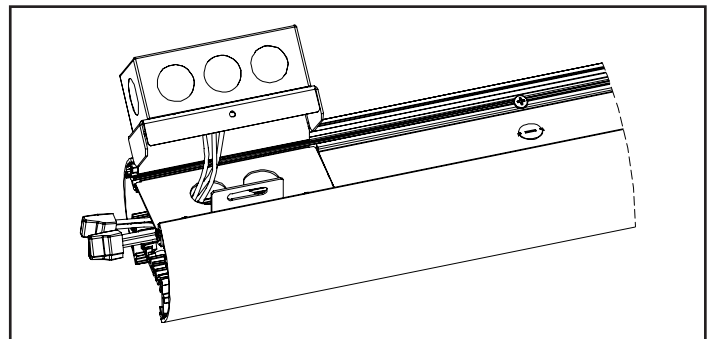
② Hang Fixture(s)

Secure the provided safety cable (A) at both ends of the fixture as shown. Hang fixture from brackets as shown and secure safety cable to the surface mount brackets. Use #8-18 x 1/2 HWH screws (B).



③ Power Drop

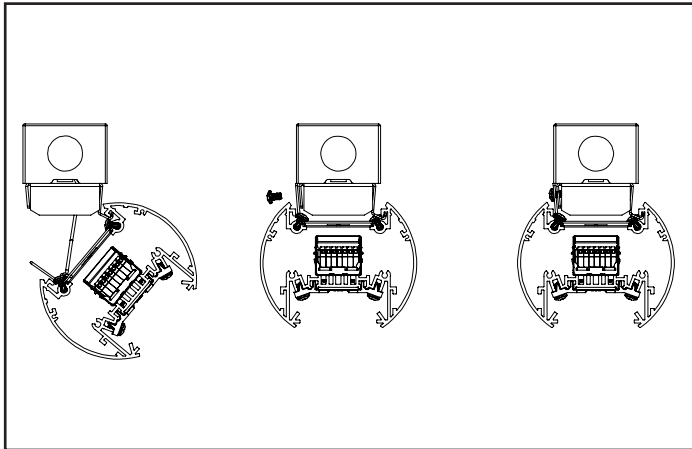
Wire fixture following the wiring guide on page 2 of these instructions



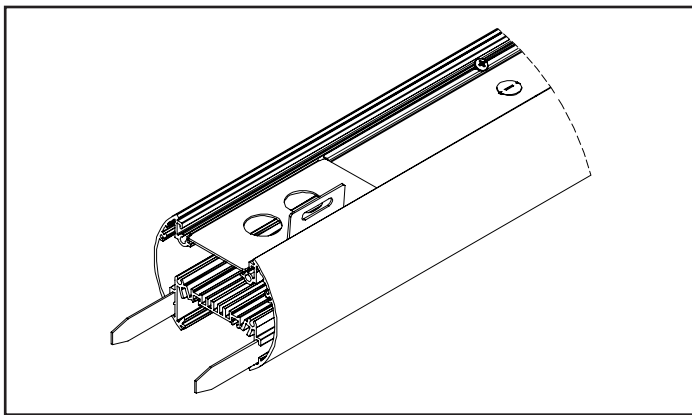
Installation Instructions - Cirque & Omni Surface

④ Joining Fixtures

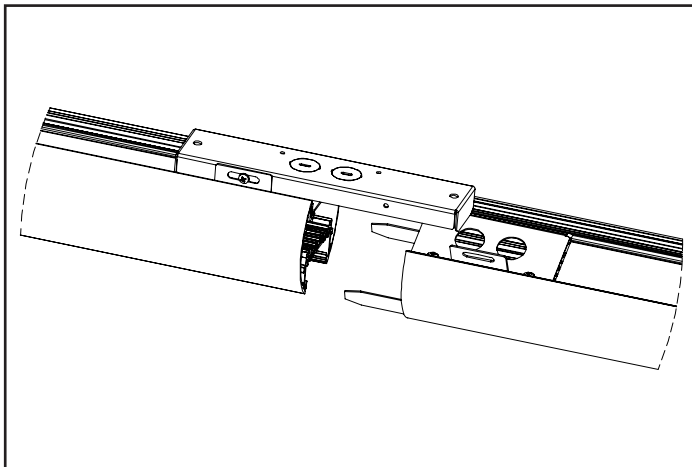
Rotate first fixture until level and secure with #8-18 x 1/2 HWH screws (B).



For next fixture, remove lens or one baffle section at each end and secure Biscuit Aligners (G) half way into fixture end using hammer as needed.

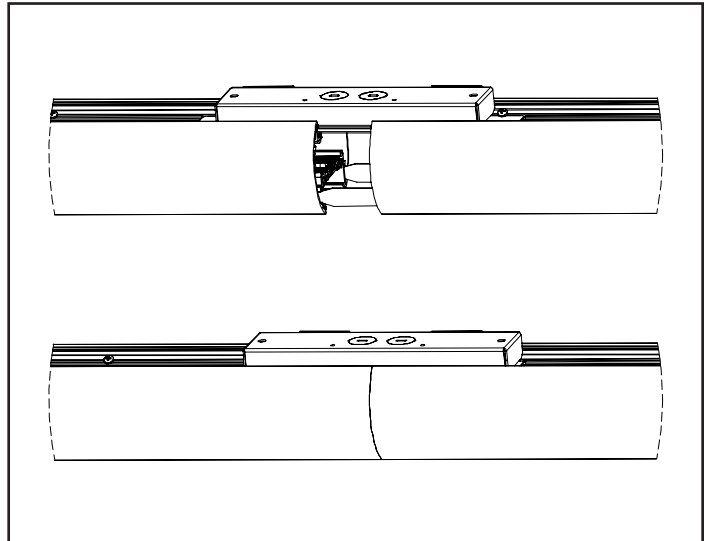


Hang the next fixture in the run on the Dual Bracket (E), attach the safety cable and make through wiring connections.

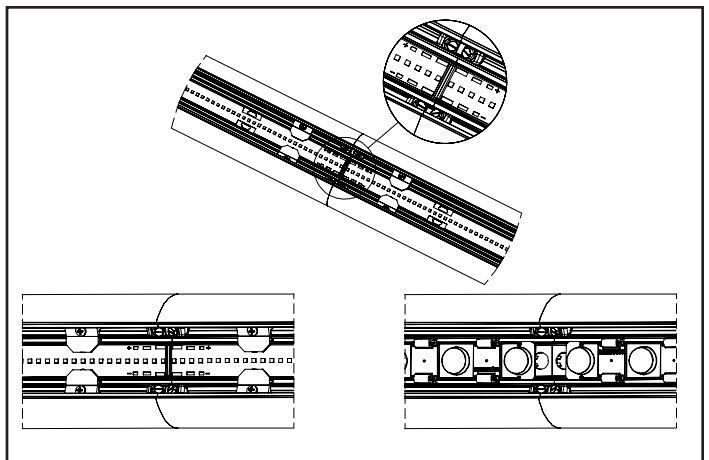


Tuck wiring into the inside of the fixtures, rotate the fixture up and push the two fixtures together. Secure with #8-18 x 1/2 HWH screw (B).

IMPORTANT: Do not pinch wires when pushing fixtures together.



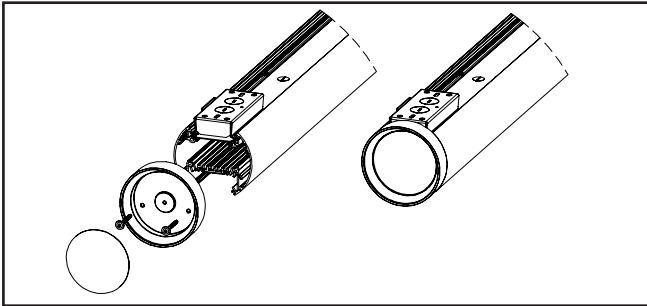
Once fixtures are together fasten together with Cast Joiners (C) and #8-18 x 1/2 HWH screws (B).



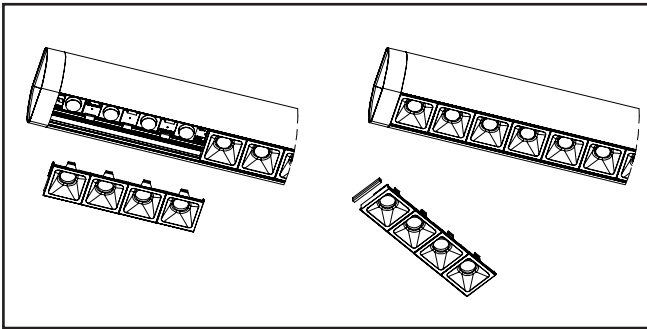
Installation Instructions - Cirque & Omni Surface

⑤ Install End Caps

Secure end caps to the fixture using the provided **#8-18 x ½ HWH screws(B)**. The decorative end plates can then be mounted to the pre-installed magnets on the center of the end cap.



Re-install lens/baffles. If required, use provided gaskets to ensure there is no light leak between each baffle section. (The bottom color of the gasket should match the color of the baffle). The baffles snap in and out of the fixture.



⑥ Fixture Maintenance and Cleaning

Always follow recommended cleaning and handling procedures when cleaning the lens. It can be permanently damaged if cleaned or handled improperly.

Blowing off the Surface of the Lens

Dust and other loose contaminants should be blown off before any other cleaning technique is employed. Using compressed air over the entire lens is recommended to prevent static buildup.

Additional Cleaning Methods

Fingerprints and large dust particles can be removed by gently wiping the surface with a clean microfiber cloth. If additional cleaning is required it is recommended to use Clorox® wipes to remove remaining contaminants by gently rubbing the affected area and allowing to air dry.

Warranties and Limitation of Liability

Please refer to www.cooperlighting.com/global/warranty for our terms and conditions.

Garanties et limitation de responsabilité

Veillez consulter le site www.cooperlighting.com/global/warranty pour obtenir les conditions générales.

Garantías y Limitación de Responsabilidad

Visite www.cooperlighting.com/global/warranty para conocer nuestros términos y condiciones.

FCC Statement

• This device complies with Part 15 of the FCC Rules. Operation is subject to the following two conditions:

- (1) This device may not cause harmful interference.
- (2) This device must accept any interference received, including interference that may cause undesired operation.

Note: The grantee is not responsible for any changes or modifications not expressly approved by the party responsible for compliance. Such modifications could void the user's authority to operate the equipment.

Note: The equipment has been tested and found to comply with the limits for a **Class B** digital device, pursuant to part 15 of the FCC Rules.

These limits are designed to provide reasonable protection against harmful interference in a residential installation. This equipment generates uses and can radiate radio frequency energy and, if not installed and used in accordance with the instructions, may cause harmful interference to radio communications. However, there is no guarantee that interference will not occur in a particular installation. If this equipment does cause harmful interference to radio or television reception, which can be determined by turning the equipment off an on, the user is encouraged to try to correct the interference by one or more of the following measures:

- Reorient or relocate the receiving antenna.
- Increase the separation between the equipment and receiver.
- Connect the equipment into an outlet on a circuit different from that to which the receiver is connected.
- Consult the dealer or an experienced radio/TV technician for help.

This device complies with FCC radiation exposure limits set forth for an uncontrolled environment. This equipment must be installed and operated in accordance with provided instructions and the antenna(s) used for this transmitter must be installed to provide a separation distance of at least 20 cm from all persons.