

Project		Catalog #		Type	
Prepared by		Notes		Date	



iO LED

CovSelect

LED
Interior Architectural Cove
Integral Driver

Typical Applications

- Commercial Office Spaces • Schools • Hospitals
- Retail • Residential • Hotels • Restaurants

Product Certification



Product Features



- 1 ft and 4 ft length options
- Adjustable mount (+/- 30 deg)
- Integral dimming to 10% (0-10V, 100% - 10%)
- 80 CRI option available (90+ CRI Coming Soon)

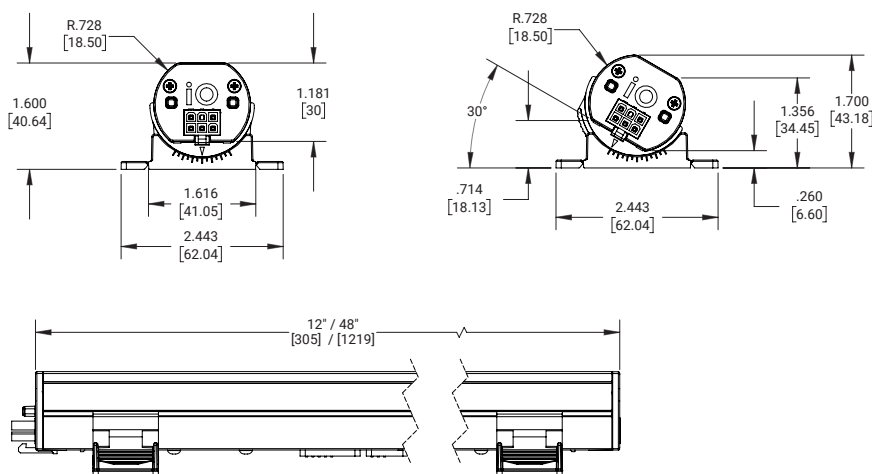
Interactive Menu

- Completing An Order [page 2](#)
- Catalog Number Details [page 3](#)
- Product Specifications [page 4](#)
- Photometric Data [page 5](#)
- Mounting and Installation [page 7](#)
- Run Layout Guidelines [page 9](#)

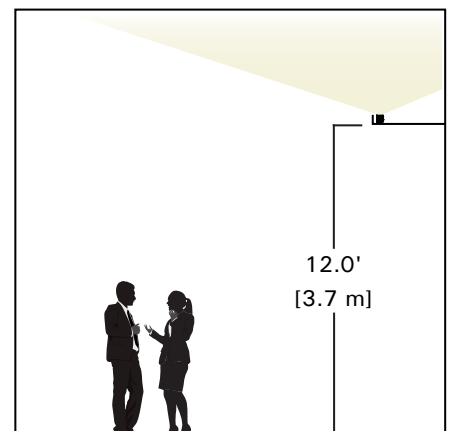
Top Product Features

- Cove lighting fixture with integral dimming driver
- Rated for interior / damp installations
- Field Selectable CCT (2700K, 3000K, 3500K, 4000K)
- Field Selectable output (350 lm/ft and 700 lm/ft)
- Up to 200ft run from a single power drop

Dimensions



Scale



additional product diagrams

Completing an Order

Color Key: Orange shading denotes options coming soon!

Orders must include:

- 1 Fixture(s) + 2 Power Harness / Control Module + 3 Optional Accessories as needed

1 Fixtures (REQUIRED)

Catalog Number	Length	CCT Setting	Low Output Setting			High Output Setting		
			Power (W)	Delivered Lumens (lm)	Efficacy (LPW)	Power (W)	Delivered Lumens (lm)	Efficacy (LPW)
CS-SL-8SCT-120-ID-UNV-W-SA-STD-1F	1 ft (12" / 305 mm)	2700K	3.5	357	102	6.2	677	108
		3000K	3.5	369	105	6.2	700	112
		3500K	3.5	378	109	6.2	717	115
		4000K	3.5	385	112	6.2	730	118
CS-SL-8SCT-120-ID-UNV-W-SA-STD-4F	4 ft (48" / 1220 mm)	2700K	11.5	1424	123	21.4	2630	122
		3000K	11.5	1472	128	21.4	2720	127
		3500K	11.5	1508	132	21.4	2786	131
		4000K	11.5	1535	135	21.4	2837	134

2 Power Harness/Control Modules (REQUIRED)

Note: Please utilize run length limits at right to determine the number of power harnesses / control modules required to support planned runs.

Catalog Number	Details
CS-10V-STD	Standard Power Harness (for beginning of run power connection)
Notes	
A Power harness or Control module is required for line voltage connection of each run.	

iO CovSelect Run Length Limits

		Run Length Limits (ft)	
		1F = 12"	4F = 48"
Fixture Length			
Fixture Input Wattage		7W	24W
Source Current		0.2mA	0.2mA
Input Current (120-277V)		64.8mA	222mA
Dimming Protocol	0-10V (STD)	Maximum Run Length (ft) @ 120V	100 116*
		Maximum Run Length (ft) @ 277V	150*** 288**

3 Accessories (OPTIONAL)

Note: Jumpers are required for all curves and corners in planned runs.

Catalog Number	Details
CS-JHARN02-006	6" Jumper accessory
CS-JHARN02-012	12" Jumper accessory
CS-JHARN02-036	36" Jumper accessory
CS-JHARN02-144	144" Jumper accessory

Notes

- *Run must be limited to 100 ft when using both 1F and 4F fixtures in a single run at 120V.
- **Run must be limited to 200 ft when using both 1F and 4F fixtures in a single run at 277V.
- *** Run length is limited based on common 30 mA dimmer limit. Run length could be extended to 200 ft for dimmers with 50 mA current rating.

Catalog Number Details

Color Key: Orange shading denotes options coming soon!

No QS prefix needed for Stock or Quick Spec orders.

SAMPLE CATALOG NUMBER: **CS-SL-8SCT-120-ID-UNV-W-SA-STD-4F**

Series	Lumen Package (Power)	LED CRI & CCT	Optical Distribution	Environment	Voltage
CS =CovSelect Linear LED	SL =Selectable Output (350lm/ft or 700lm/ft)	8SCT =80 CRI, Selectable CCT	120 =Standard Lambertian	ID =Indoor	UNV =120-277V
Notes Architectural LED cove luminaire with integral driver from iO LED.	Notes Nominal for 12" section. See lumen output table below for specific lumen and wattage output by output and CCT setting.	Notes 4 selectable CCT settings: 2700K - 3000K - 3500K - 4000K 90 CRI coming soon	Notes Nominal optical distribution. See photometry details on pg 5 for more details.	Notes CovSelect is indoor rated for damp locations only	Notes See pg 4 for Voltage impact on run length limits.

Housing Color	Mounting	Control	Length
W =Standard White	SA =Surface Mount - Adjustable	STD =0-10V dimming (100%-10%)	1F =1 ft (12") Individual fixture 4F =4 ft (48") Individual fixture
Notes	Notes Mounting bracket has built in +/- 30 deg adjustability and can be mounted in any direction facing up, facing down or vertically. Mounting brackets are shipped pre-attached to fixtures for easy installation.	Notes All fixtures have integral 0-10V dimming drivers.	Notes

Product Specifications

Construction

- Housing is powder coated, extruded aluminum.
- Diffuse polycarbonate extruded lens.
- Proprietary quick connect plugs for quick installation.
- Available in 1 ft (12") or 4 ft (48") lengths.

Electrical

- Integral high performance constant current driver.
- Field Selectable output with nominal 350 and 700 lm/ft setting options.
- Flicker free performance with Pst < 1.0 and SVM < 1.0
- Standard 0-10V dimming (10% - 100%).
- Each cove module is configured for a line voltage feed while providing through wiring and quick connects for continuous mounting applications.
- Universal driver accepts 120V to 277V supply voltage. Higher supply voltage increases run lengths possible from a power drop.
- Utilize jumpers and separate power feed(s) to create Emergency circuits. Consult customer service for additional guidance.
- See pg 2 for Run Length Limits.
- See pg 7 for Dimmer compatability chart.

LED Optics

- 80 CRI option available (90 CRI Coming Soon)
- Field Selectable CCT with 2700, 3000, 3500 or 4000K setting options within 3-step MacAdam ellipse.
- Discrete mid-powered LED array with diffuse, extruded lens delivers a cove light distribution free from striations.
- Fixtures designed to connect directly end to end to deliver the most consistent cove illumination possible.
- Luminaires tested per IESNA LM-79.
- LM-80 data utilized in TM-21 lumen maintenance projections:
L70 at 25°C > 60,000 hours
L70 at 50°C > 60,000 hours
L90 at 25°C = 54,000 hours
L90 at 50°C = 49,000 hours

Mounting

- Each individual fixture comes with molded polycarbonate mounting bracket(s) with integrated +/- 30 deg adjustability.
- Mounts are designed to be mounted in any orientation: facing up, facing down or vertically mounted.
- Mount feet can be snapped off at scoring on one side for tightly spaced installations. Please note that 2 mounts/ fixture and at least 1 screw per mount is required for secure installation.
- Power harness is required for connection to line voltage at the beginning of each run and must be ordered separately as an accessory.
- STD power harness includes beginning of run power harness + junction box for line voltage connection.
- Fixture end caps include quick connects for easy and secure end-to-end installation in straight runs. Release tab must be pressed to disconnect fixtures.
- Jumper cables are available in a variety of lengths (6", 12", 36" and 144") to enable a wide variety of curved installations. Jumpers must be ordered separately as accessories when needed.

Finish

- Fixture housing is powder coated aluminum.
- Standard color is white with white end caps and white power harness and white jumpers.

Compliance

- Luminaires are ULus listed for 40° C ambient environments.
- Energy Star qualified.
- Damp Location Listed.
- RoHS compliant.
- Tested according to IESNA LM-79 (See pg pg 5). Full set of IES files are available at CooperLighting.com

Environment

- Suited for indoor / damp installations

Control

- Integral driver with 0-10V dimming to 10% is standard.

Weight

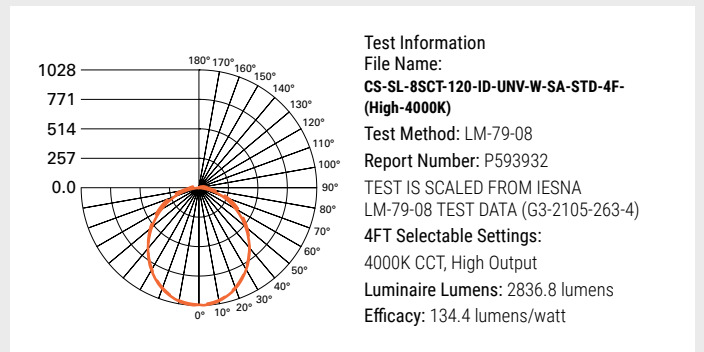
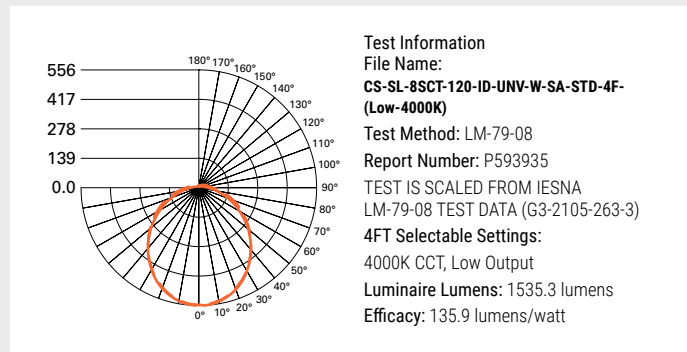
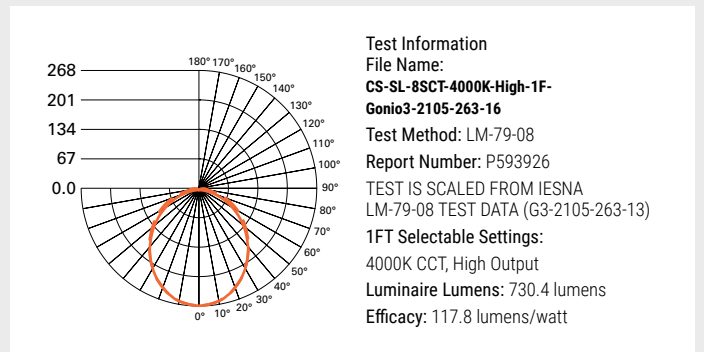
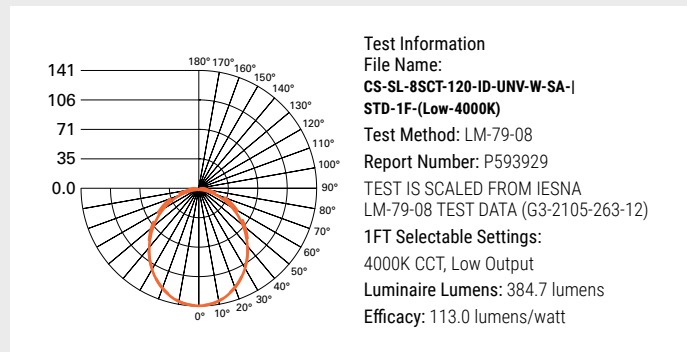
- 1F = 0.46 lbs.
- 4F = 1.33 lbs

Warranty

- 5 year standard limited warranty.

Photometric Data

 View IES files



Note: Refer to IES files for complete product data for all CCT and output settings. Full set of IES files are available at CooperLighting.com.

Light Output Conversion Table

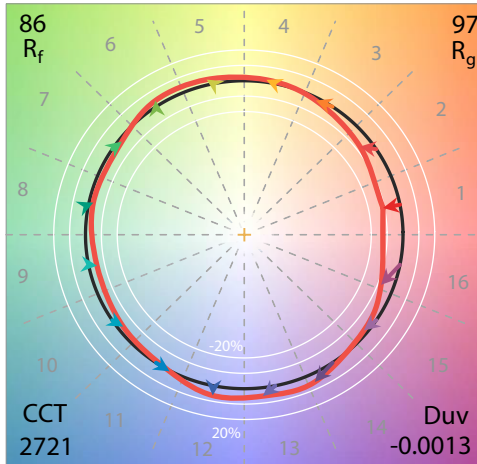
CRI	CCT	Low	High
80	2700K	0.488	0.927
	3000K	0.505	0.959
	3500K	0.517	0.982
	4000K	0.527	1.000

Energy Data
>0.9 Power Factor
<20% Total Harmonic Distortion
Efficacy > 102 lm / W
-30°C Min Temperature
50°C Max Temperature

**TM-30 DATA FOR 80 CRI, SELECTABLE CCT
(2700K SETTING)**

CS-SL-8SCT-2700K-High-Sphere1-2105-263-1 (color)

ANSI/IES TM-30-18 Color Rendition Report

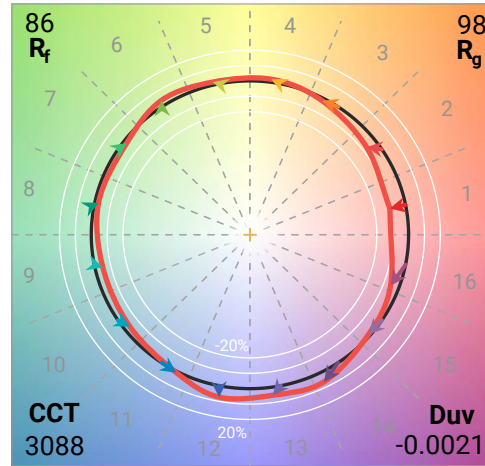


— Reference Illuminant — Test Source

**TM-30 DATA FOR 80 CRI, SELECTABLE CCT
(3000K SETTING)**

CS-SL-8SCT-3000K-High-Sphere1-2105-263-2 (color)

ANSI/IES TM-30-18 Color Rendition Report

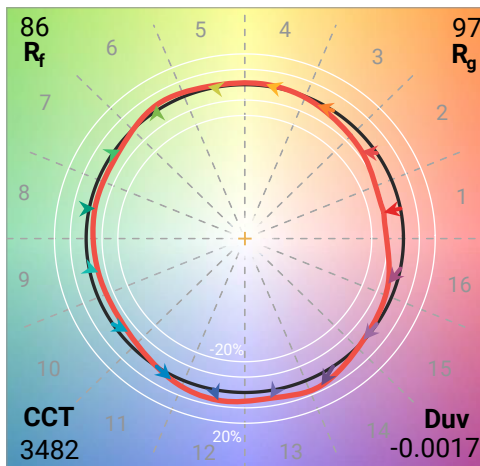


— Reference Illuminant — Test Source

**TM-30 DATA FOR 80 CRI, SELECTABLE CCT
(3500K SETTING)**

CS-SL-8SCT-3500K-High-Sphere1-2105-263-3 (color)

ANSI/IES TM-30-18 Color Rendition Report

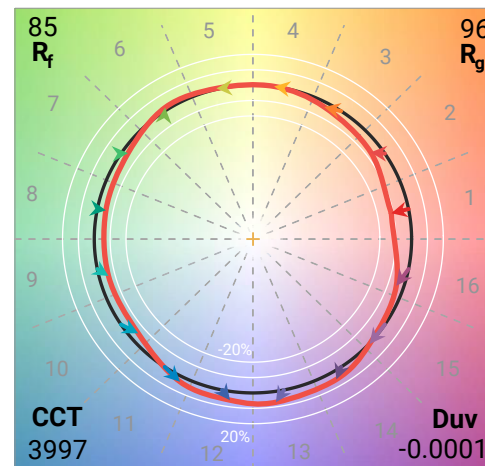


— Reference Illuminant — Test Source

**TM-30 DATA FOR 80 CRI, SELECTABLE CCT
(4000K SETTING)**

CS-SL-8SCT-120-ID-UNV-W-SA-STD-1F (High-4000K)

ANSI/IES TM-30-18 Color Rendition Report



— Reference Illuminant — Test Source

Light Tm-30 and Photometric Sphere test results are summarized in the table below. Contact Cooper Lighting for specific TM-30 reports.

CRI	CCT	CRI	R _f	R _g	R ₉
80	2700K	83.6	85.9	96.8	11
	3000K	84.9	86.1	97.7	15.8
	3500K	85.1	86	97	16.7
	4000K	84.3	85.2	96	13.3

Dimmer Compatability

List of Tested Dimmers			Notes
Manufacturer	Technology	Part Number	
EWD (Eaton)	0-10Vdc	SF10P-W	
EWD (Eaton)	0-10Vdc	SF10P-W	
Lutron	0-10Vdc	DVSTV-WH	
Lutron	0-10Vdc	IP710-LFZ	
EWD (Eaton)	0-10Vdc	WBSD-010M-C1	

Mounting and Installation

CovSelect fixtures are designed to directly connect end-to-end to deliver the most consistent cove illumination possible. The diagram below shows how each fixture joins to the next fixture in the run. The connector includes a snap feature to ensure a secure connection will be maintained over time. The release button on the bottom of the connector must be pressed to disconnect the fixtures.

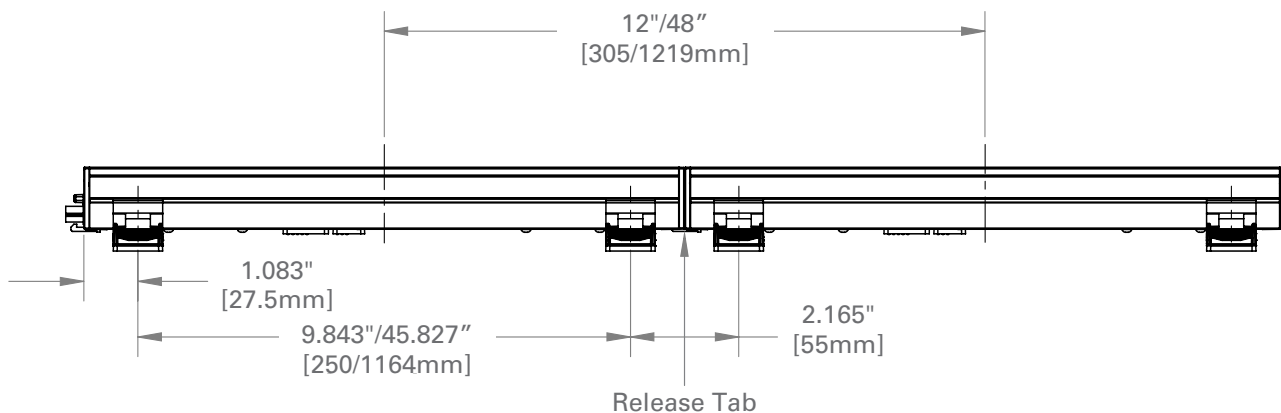
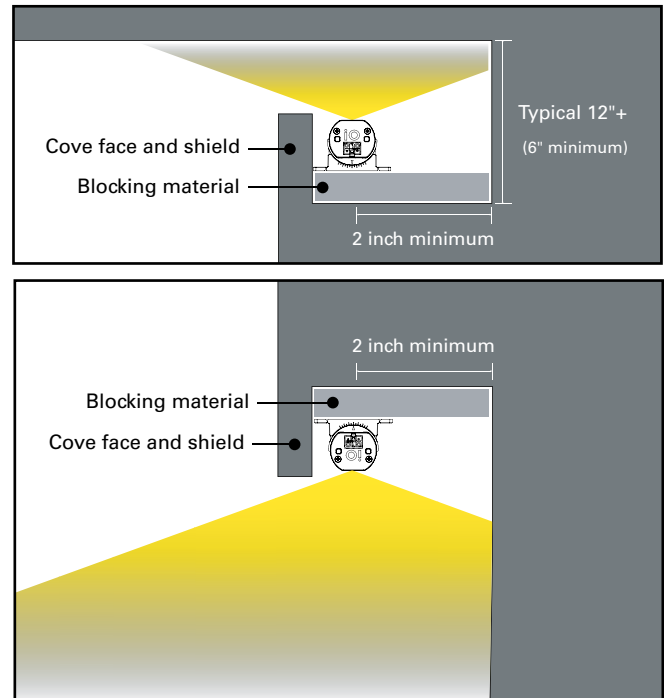
Other mounting considerations:

- Mounting location must have solid base / blocking material for securing mount.
- The adjustable mount is designed to secure fixtures in any orientation: facing up, facing down or vertically mounted.
- The adjustable mount can be aimed +/- 30 deg in either direction to optimize light distribution for each installation.
- Matte surface finishes in, above and adjacent to cove will deliver optimal cove light distribution.
- Fixtures should be mounted at least 2" from wall for optimal cove light distribution. See cove design guidelines at right.
- Cove height should be optimized to allow for effective light distribution from the cove. See design guidelines at right.
- Jumper cable accessory or corner fixture is require for curves and corners.
- CovSelect is approved for dry or damp installations only.
- The height of the cove face and should be designed hide the fixture from direct view but not interfere with the optical distribution of the light.

Cove Design Guidelines

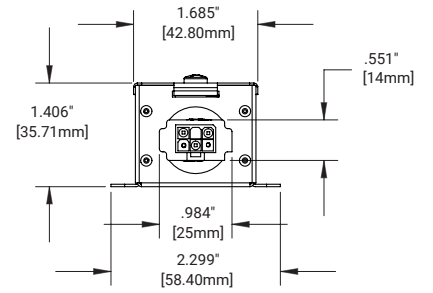
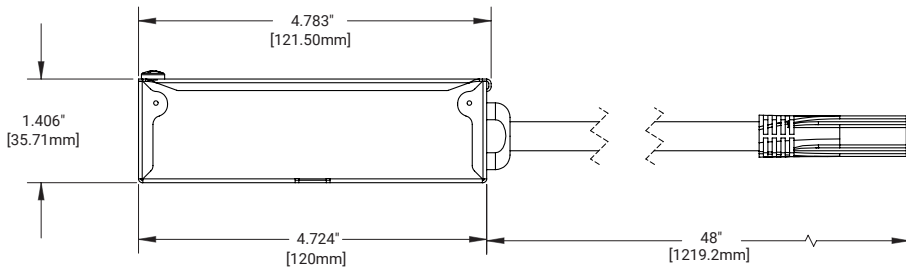
Optimize cove design details utilizing the considerations at left and the diagram below.

Note: Design the cove big enough so the light will wash the intended surface effectively. More space typically results in a more pleasing cove effect. A smaller cove does not produce better illumination and may limit light output distribution. The cove face height should be optimized to hide visibility of the cove fixture while not interfering with the light distribution. See diagram below for reference.

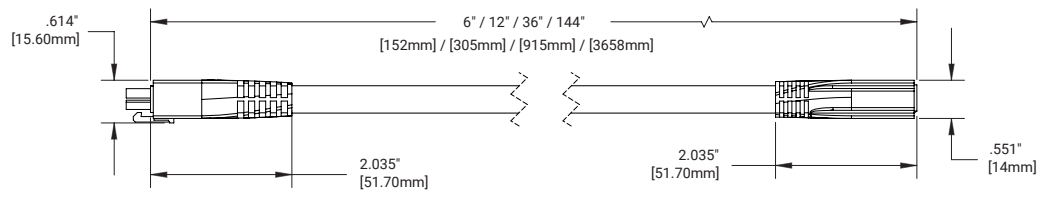


STD - Beginning of Run Power Harness

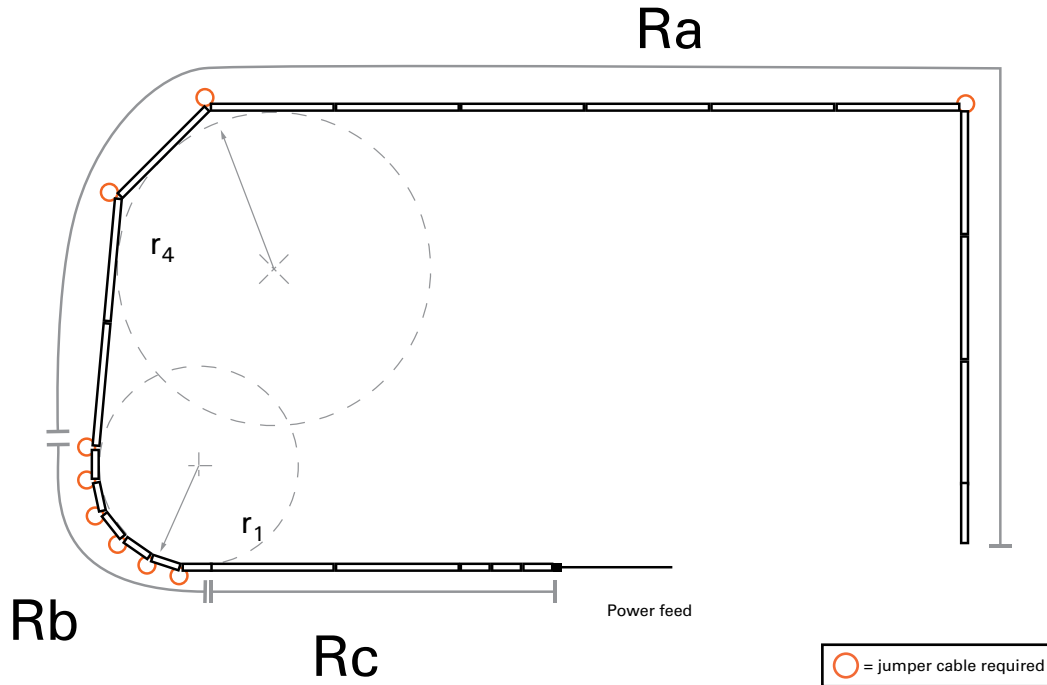
Color Key: Orange shading denotes options coming soon!



Jumper Harness Accessory



Run Layout Guidelines



Linear Run Layout / Design

CovSelect fixtures and accessories must be ordered separately. ([see details on pg.2](#)) It is helpful to plan run layout details in advance to make sure all accessories are included so the installation meets the design intent. Orders must include:

- 1F and 4F fixtures (mounts are included) to cover desired run length.
- Power harness or control module for line voltage connection (see page 2 for run length limits).
- Jumper accessories or corner fixtures are required for any curves or corners.

- Ra is a 49 ft run and would be ordered as 12x 4F fixtures + 1x 1F fixture + 3x jumpers (for corner and curves)
- Rb is a 6 ft curved run and would be ordered as 6x 1F fixtures + 6x jumpers (for curve)
- Rc is an 11 ft run and would be ordered as 2x 4F fixtures + 3x 1F fixtures + 1x power cord
- **Summary:** The entire run shown in the diagram above would be ordered as 14x 4F fixtures + 10x 1F fixtures + 9x jumpers + 1x power cord. Since this run is only 66 ft long, only 1x power cord is required (see pg 2 for run length limits).