

Installation Instructions – Galleon II Area Site and Flood Instructions d’installation – Luminaire à projecteur d’éclairage général Galleon II Instrucciones de instalación – Reflector y Area Site Galleon II

IMPORTANT: Read carefully before installing product. Retain for future reference. Failure to comply with these instructions may result in death, serious bodily injury and property damage.

WARNING



Risk of Fire, Electrical Shock, Cuts or other Casualty Hazards- Installation and maintenance of this product must be performed by a qualified electrician. This product must be installed in accordance with the applicable installation code by a person familiar with the construction and operation of the product and hazards involved.



Risk of Fire and Electric Shock- Make certain power is OFF before starting installation or attempting any maintenance. Disconnect power at fuse or circuit breaker.



Risk of Fire- Refer to product label for specific minimum supply conductor requirements.



Risk of Personal Injury- Fixture may become damaged and/or unstable if not installed properly.

DISCLAIMER OF LIABILITY: Cooper Lighting Solutions assumes no liability for damages or losses of any kind that may arise from the improper, careless, or negligent installation, handling or use of this product.

NOTICE: Green ground wire provided in proper location. Do not relocate.

ATTENTION Receiving Department: Note actual fixture description of any shortage or noticeable damage on delivery receipt. File claim for common carrier (LTL) directly with carrier. Claims for concealed damage must be filed within 15 days of delivery. All damaged material, complete with original packing must be retained.

Safety: This fixture must be wired in accordance with the National Electrical Code and applicable local codes and ordinances. Proper grounding is required to insure personal safety. Carefully observe grounding procedure under installation section.

APPLICATIONS: This lighting fixture is designed for outdoor lighting applications, and should not be used in area of limited ventilation or inside high ambient temperature enclosures. It must be stored in a dry location prior to installation. Do not expose lighting fixture to rain, dust or other environmental conditions prior to installation and insertion of photo control or shorting cap (if so equipped). Best results will be obtained if installed and maintained according to the following instructions.

Installation Instructions – Galleon II Area Site and Flood

Note: This lighting fixture has been shipped complete with one of several mounting options. Please follow the installation instructions specific to the catalog part that you ordered.

Standard Pole Mount Arm (Fig. 1)

Tools Required:

- Ratchet with shallow 3/4" socket
 - #2 Phillips head screwdriver
1. Ensure the pole is drilled for pattern "N" and remove the pole top cap.
 2. Loosen (2) #8 screws to remove the access cover from the arm. Rotate down, sliding the cover forward to disengage from the rear slots.
 3. If applicable, install round pole adapter between luminaire and round pole. For square poles, this is not required.
 4. Thread (2) 1/2"-13 fasteners through the arm (and adapter, if present), pole, and into the nut plate. Hand-tighten, ensuring the fixture is properly aligned.
 5. Tighten both bolts to 40 ft-lbs. (54 N-m).
 6. Route the supply leads into the arm, through the center opening of the nut plate, pole and arm.
 7. Attach the supply side ground wire to the ground terminal connector (green wires).
 8. Connect the supply side line voltage wire to the fixture side line voltage terminal connector (black wires).
 9. Connect the supply side neutral wire to the fixture side neutral wire terminal connector (white wires).
 10. Insert the access cover by inserting the tabs into the rear arm slots and close the cover. Tighten the (2) #8 screws and torque to 12-14 in-lbs.
 11. Replace pole top cap.

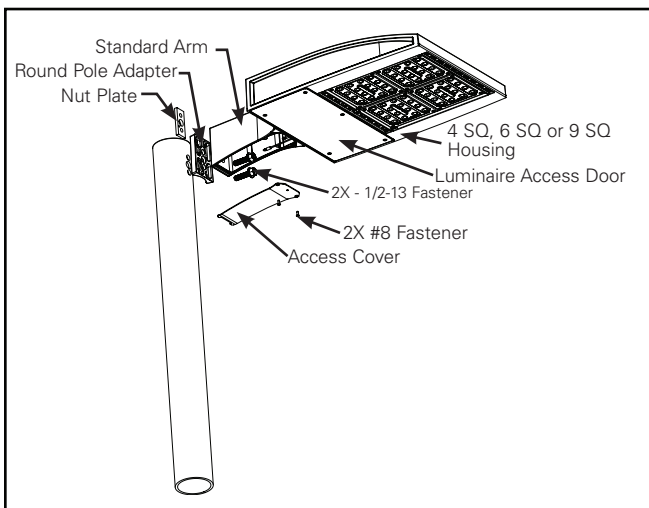


Figure 1.

Standard Pole Mount Arm with Quick Mount Adapter (QM) (Fig. 2)

Tools Required:

- Ratchet with 9/16" and 3/4" sockets
 - #2 Phillips head screwdriver
1. Ensure the pole is drilled for pattern "N" and remove the pole top cap.
 2. Loosen (2) #8 screws to remove the access cover from the arm. Rotate down, sliding the cover forward to disengage from the rear slots.
 3. Thread (1) 1/2"-13 fastener through the top hole of the quick mount adapter bracket, through the top hole on the pole, and into the nut plate. Hand-tighten. Insert the lower 1/2" bolt a few turns to ensure alignment. Tighten the upper bolt to adapter bracket and pole to 40 ft-lbs. (54 N-m), ensuring the fixture is square to the pole and level, and remove the lower bolt.
 4. Position luminaire over adapter bracket, allowing the arm to engage the bracket to temporarily secure it. Reinstall the lower 1/2" bolt and hand-tighten. Install the 3/8" fastener through the top of the adapter bracket into the luminaire arm. Tighten the 1/2" lower bolt to 40 ft-lbs. (54 N-m.) Tighten the 3/8" fastener to 20 ft-lbs. (27 N-m.)
 5. Route the supply leads into the arm, through the center opening of the nut plate, pole and arm.
 6. Attach the supply side ground wire to the ground terminal connector (green wires).
 7. Connect the supply side line voltage wire to the fixture side line voltage terminal connector (black wires).
 8. Connect the supply side neutral wire to the fixture side neutral wire terminal connector (white wires).
 9. Insert the access cover by inserting the tabs into the rear arm slots and close the cover. Tighten the (2) #8 screws and torque to 12-14 in-lbs.
 10. Replace pole top cap.

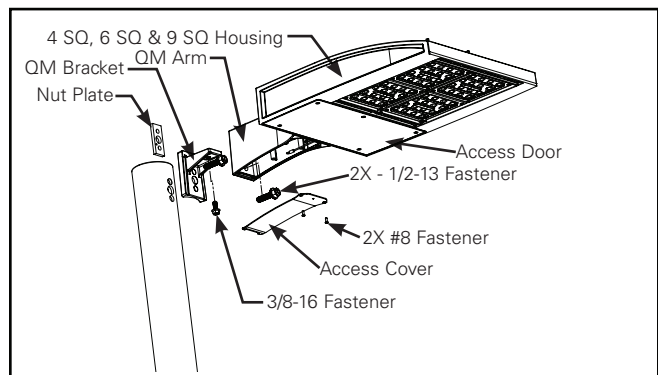


Figure 2.

Installation Instructions – Galleon II Area Site and Flood

Pole Mount, Adjustable (PA) (Fig. 3)

Tools Required:

- Ratchet with 3/4" socket
 - #2 Phillips head screwdriver
1. Loosen (3) #8 screws to remove the access cover from the arm.
 2. Ensure the pole is drilled for a "N" pattern. A template may be provided as required.
 3. Remove the pole top cap.
 4. If using the optional round pole adapter install that between the luminaire and round pole. For square poles, this is not required.
 5. Install and hold the provided nut plate inside the pole. With the fixture supported, align (2) 1/2-13 fasteners through the arm, pole adapter if used and hole pattern in pole into the nut plate. Hand tighten to ensure the fixture is aligned prior to tightening.
 6. Tighten both flange bolts within the fixture to 40 ft-lbs./54 N-m.
 7. Route the fixture leads through the center opening of the nut plate, pole and arm into the arm cavity.
 8. Inside the fixture arm, connect supply wires to appropriate fixture leads:
 - a. Supply side ground wire to green fixture lead.
 - b. Supply side neutral wire to white fixture lead.
 - c. Supply side line voltage wire to black fixture lead.
 9. Loosen the (2) 3/8-16 located in the slots to make angle adjustments to the fixture. After angle adjustments have been made using the (2) 3/8-16 flange bolts located in the slots. Tighten and torque to 20 ft-lbs
 10. Replace the access cover to the arm. Tighten the (3) #8 screws and torque to 12~14 in-lbs.

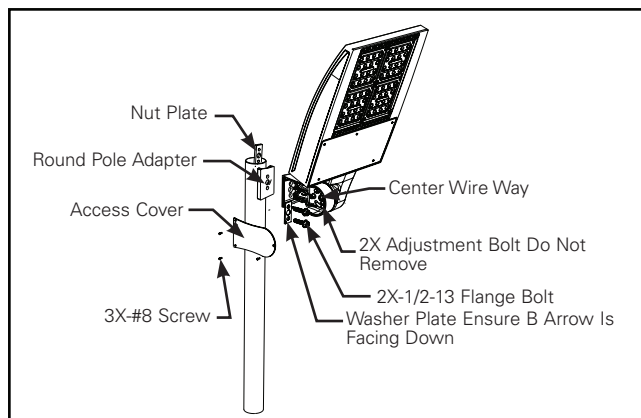


Figure 3.

Wall Mount, Fixed (WM) (Fig. 4)

Tools Required:

- Ratchet with 3/4" socket
 - #2 Phillips head screwdriver
1. Loosen (2) #8 screws to remove the access cover from the arm. Rotate down, sliding the cover forward to disengage from the rear slots.
 2. Align the center holes in the decorative wall plate to the fixture arm. Use the (2) 1/2"-13 fasteners and hand-tighten, ensuring proper alignment.
 3. Tighten the (2) 1/2"-13 fasteners to 40 ft-lbs. (54 N-m.) Set the fixture assembly aside.
 4. Thread supply wires from the junction box through the wall gasket, and through the center opening of the attachment plate.
 5. Secure attachment plate to the wall using four bolts (supplied by others.)
 6. Thread the supply wires through the center opening of the decorative wall plate and into the arm assembly (passing through the silicone rubber wire grommet.)
 7. Hang the decorative wall plate onto the attachment plate and tighten the 1/4-20 screw located at the bottom of the decorative wall plate to 15 in-lbs.
 8. Inside the fixture arm, connect supply wires to appropriate fixture leads:
 - a. Supply side ground wire to green fixture lead.
 - b. Supply side neutral wire to white fixture lead.
 - c. Supply side line voltage wire to black fixture lead.
 9. Insert the access cover by inserting the tabs into the rear arm slots and close the cover. Tighten the (2) #8 screws to 14 in-lbs.

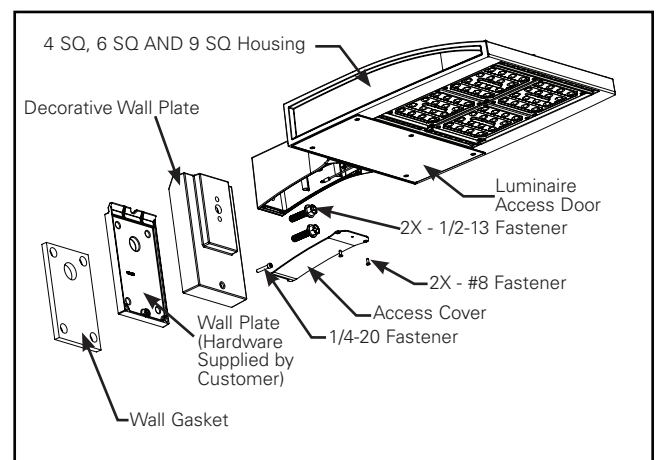


Figure 4.

Installation Instructions – Galleon II Area Site and Flood

Wall Mount, Adjustable (WA) (Fig. 5)

Tools Required:

- Ratchet with 3/4" socket
 - #2 Phillips head screwdriver
1. Loosen (3) #8 screws to remove the access cover from the arm. Set aside for installation.
 2. Align the center holes in the decorative wall plate to the fixture arm. Install the washer plate and the (2) 1/2-13 fasteners and hand tighten until proper alignment is achieved. Ensure that the washer plate (B) marking and arrow are facing downward.
 3. Tighten the (2) 1/2"-13 fasteners to 40 ft-lbs. (54 N-m.) Set the fixture assembly aside.
 4. Route the supply wires from the junction box through wall gasket, and through the center opening of the attachment plate.
 5. Secure attachment plate to the wall using four bolts (supplied by others.)
 6. Route the supply wires into the center opening of the decorative wall plate and into the arm assembly (passing through the silicone rubber wire grommet.)
 7. Hang the decorative wall plate onto the attachment plate and tighten the 1/4"-20 screw located at the bottom of the decorative wall plate to 15 in-lbs.
 8. Inside the fixture arm, connect supply wires to appropriate fixture leads:
 - a. Supply side ground wire to green fixture lead.
 - b. Supply side neutral wire to white fixture lead.
 - c. Supply side line voltage wire to black fixture lead.
 9. Adjust for proper angle using the (2) 3/8"-16 flange bolts. Tighten to 20 ft-lbs.
 10. Replace the access cover to the arm. Tighten the (3) #8 screws to 14 in-lbs.

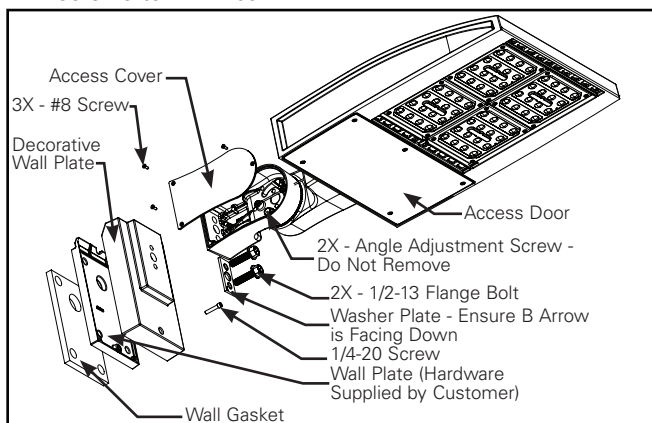


Figure 5.

Mast Arm, Fixed (MA) (Fig. 6)

Tools Required:

- 3/16" Allen wrench
 - Drill with 7/16" drill bit
 - Ratchet with 9/16" socket
1. Loosen (4) set screws and remove the center thru-bolt to allow clearance for installation.
 2. Pull all supply wires through the customer mast arm.
 3. When making connections inside the pole, connect supply wires to appropriate fixture leads: Support fixture close to mast arm to make appropriate connections.
 - a. Supply side ground wire to green fixture lead.
 - b. Supply side neutral wire to white fixture lead.
 - c. Supply side line voltage wire to black fixture lead.
 4. Slip the assembly over the customer mast arm (making sure not to pinch any supply leads). Make sure the mast arm is fully seated into the mast arm on fixture as it should bottom out.
 5. Ensure the fixture is aligned for your environment and secure the mast arm fixture to the customer mast arm with the (4) 3/8-16 x 3/8" set screws. Tighten set screws to 14 ft-lbs.
 6. Drill a 7/16" hole through the mast arm and install the 3/8" carriage bolt and nut. **NOTICE: Use care when drilling this hole so as not to damage any wires within the mast arm.** This can be predrilled to prevent wire damage.
 7. Install the 3/8-16 x 4.5" thru bolt and tighten to 14 ft-lbs.

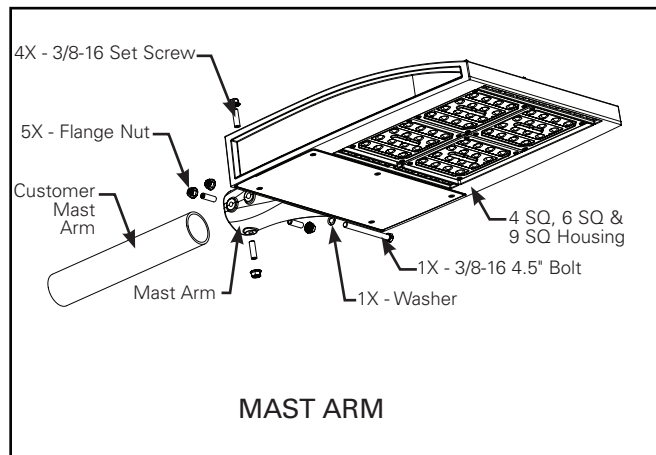


Figure 6.

Installation Instructions – Galleon II Area Site and Flood

Slipfitter, Adjustable (SP) (Fig. 7 and 8)

Tools Required:

- Ratchet with 9/16" socket
- 1/4" Allen wrench
- 3/4" open wrench
- #2 Phillips head screwdriver

Note: The slipfitter mounts to a 3" vertical tenon. For mounting to a 2-3/8" tenon, part SRA238 (order separately) is required.

1. Loosen (3) #8 screws to remove the access cover from the slipfitter arm. Set aside.
2. Remove the protective plug on the lower side of the slipfitter arm and discard.
3. Thread the supply wire leads through the top of pole or tenon. Support fixture and lower onto pole while feeding supply wires through the wire way slot in the arm.
4. Once fixture is in position, hand-tighten the (3) angled set screws to secure in place. Hand-tighten the lower (3) set screws, then tighten the upper angled set screws to 20 ft-lbs. Install (3) hex nuts to the lower set screws and tighten both the (3) set screws and (3) nuts to 20 ft-lbs.
5. Inside the slipfitter arm, connect supply wires to appropriate fixture leads:
 - a. Supply side ground wire to green fixture lead.
 - b. Supply side neutral wire to white fixture lead.
 - c. Supply side line voltage wire to black fixture lead.
6. If necessary, loosen the (2) 3/8"-16 angle adjustment bolts located near the center wire way to make vertical angle adjustments to the fixture. The fixture can be adjusted from -10 deg to 80 deg from horizontal. Tighten to 20 ft-lbs.
7. Replace the access cover, and tighten the (3) #8 screws to 14 in-lbs.

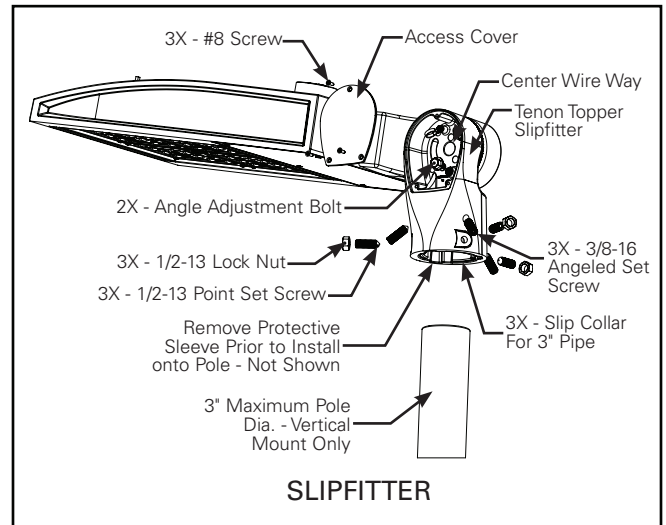


Figure 7.

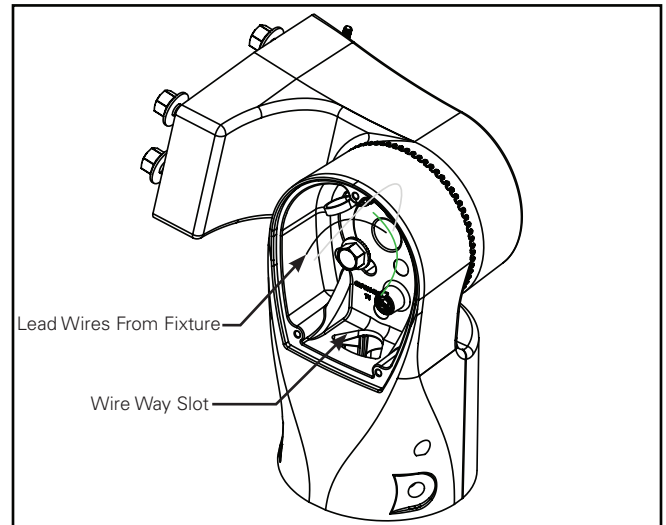


Figure 8.

Installation Instructions – Galleon II Area Site and Flood

Upswept Arm (UP) (Fig. 9)

Tools Required:

- Ratchet with 9/16" and 3/4" sockets
- #2 Phillips head screwdriver

1. Remove the pole top cap.
2. Loosen (1) #8 screw to remove the access cover from the arm. Rotate down, sliding the cover rearward to disengage from the front slots.
3. Install and hold the provided nut plate inside the pole. Install (1) 1/2"-13 fastener through the adapter, pole and into the nut plate, and hand-tighten. Insert the lower 1/2"-13 fastener, keeping loose to ensure alignment while tightening the upper mount. Tighten the upper flange bolt to arm bracket and pole to 40 ft-lbs. (54 N-m.)
4. Remove the lower 1/2"-13 fastener and position fixture over adapter bracket. The quick mount arm will engage the slot on the adapter bracket to secure the fixture. With the fixture supported, reinstall the lower 1/2"-13 fasteners and hand-tighten.
5. Install the 3/8"-16 fastener through the arm bracket into the arm. Hand-tighten to ensure alignment, then tighten the 1/2"-13 lower flange bolt to 40 ft-lbs. (54 N-m.) Tighten the 3/8"-16 upper flange bolt to 20 ft-lbs. (27 N-m.)
6. Route the fixture leads through the center opening of the nut plate, pole and arm into the arm cavity.
7. Attach the supply side ground wire to the ground terminal connector (green wires).
8. Connect the supply side line voltage wire to the fixture side line voltage terminal connector (black wires).
9. Connect the supply side neutral wire to the fixture side neutral wire terminal connector (white wires).
10. Insert the access cover by inserting the tabs into the front arm slots. Tighten the (1) #8 screw to 14 in-lbs.
11. Replace pole top cap.

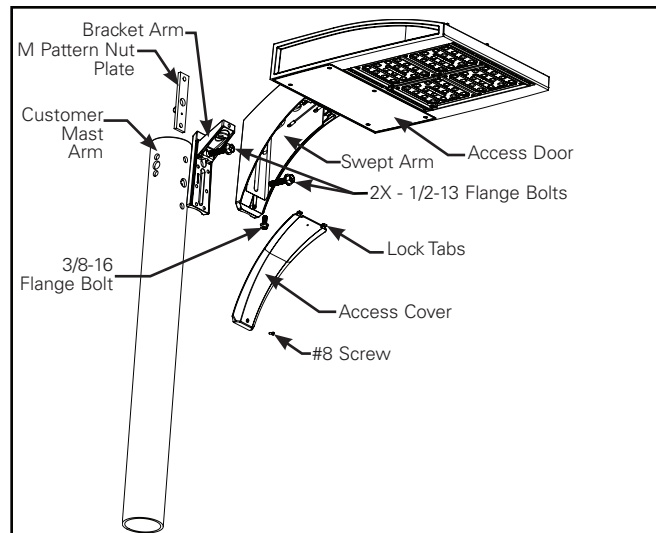


Figure 9.

Photocontrol Orientation (If Equipped – Fig 10.)

Note: If your luminaire is equipped with a photocontrol receptacle, see IB525002EN Photocontrol Receptacle Supplement to identify your photocontrol and follow the instructions on the diagram and all applicable notes

Bi-Level Switching (If Equipped)

For Bi-level switching, the input leads to the fixture will be independently labeled to indicate dimming preferences as appropriate (as defined by the order requirements). Two separate supply lines of line voltage, neutral and ground must be connected to the fixture leads to enable the bi-level switching functionality of the fixture.

Maintenance

A regular maintenance schedule should be followed to retain optimal light output and thermal performance. Optical lens cleaning should be performed with a clean dry cloth to remove any dust or other contaminants. Additional cleaning can be performed with non-abrasive acrylic cleansing solution.

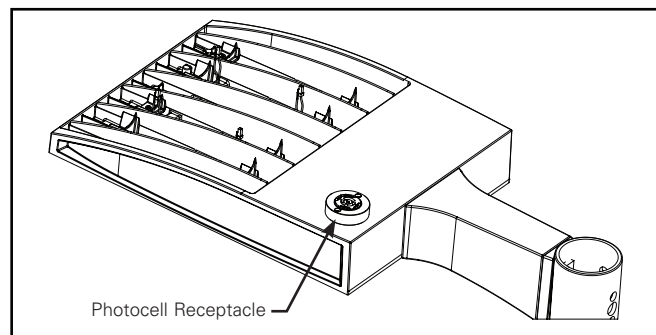


Figure 10.

Instructions d'installation – Luminaire à projecteur d'éclairage général Galleon II

IMPORTANT : Lisez attentivement avant d'installer le produit. Conservez pour consultation ultérieure. Le fait de ne pas se conformer aux instructions suivantes peut causer la mort ou entraîner des blessures graves ou des dommages matériels.



AVERTISSEMENT



Risque d'incendie, de décharge électrique, de coupure ou d'autres accidents de personne – L'installation et l'entretien de ce produit doivent être effectués par un électricien qualifié. Ce produit doit être installé conformément aux règles d'installation en vigueur par une personne familière avec la construction et le fonctionnement du produit, ainsi qu'avec les risques inhérents.



Risque d'incendie et de décharge électrique – Assurez-vous que l'alimentation électrique est **HORS TENSION** avant de commencer l'installation ou de tenter d'en faire l'entretien. Mettez l'alimentation électrique hors tension depuis le fusible ou le disjoncteur.



Risque d'incendie – Consultez l'étiquette du produit pour connaître les exigences minimums du conducteur d'alimentation.



Risque de brûlure – Débranchez la source d'alimentation et laissez refroidir le luminaire avant de procéder à son entretien ou à sa manipulation.

Risques de blessures – Le luminaire peut être endommagé et/ou instable s'il n'est pas installé correctement.

EXONÉRATION DE RESPONSABILITÉ : Cooper Lighting Solutions n'assume aucune responsabilité pour les dommages ou pertes de quelque nature que ce soit pouvant découler d'une installation, d'une manipulation ou d'une utilisation inappropriée, imprudente ou négligente de ce produit.

AVIS : Le fil de mise à la terre vert se trouve au bon endroit. Ne le déplacez pas.

ATTENTION Service de réception : Veuillez fournir une description réelle de tout manque ou de tout dommage constaté à la réception du luminaire. Les réclamations contre le transporteur (chargement partiel) doivent être déposées directement auprès dudit transporteur. Les réclamations d'avaries occultes doivent être faites dans les 15 jours suivant la réception. Tout matériel endommagé doit être entièrement conservé avec son emballage d'origine.

Sécurité : Le câblage du luminaire doit être conforme au Code national de l'électricité, aux lois et ordonnances locales en vigueur. Une mise à la terre adéquate est requise afin d'assurer votre sécurité. Respectez soigneusement la procédure de mise à la terre du chapitre d'installation.

APPLICATIONS : Ce luminaire a été conçu pour l'éclairage extérieur et ne doit pas être utilisé dans un endroit peu ventilé ou dans des enceintes à haute température ambiante. Il doit être rangé dans un endroit sec en attendant son installation. N'exposez pas le luminaire à la pluie, à la poussière ou à d'autres conditions ambiantes avant l'installation et l'insertion de l'interrupteur photo-électrique ou de la fiche de mise en court-circuit (si le luminaire en est équipé). Pour de meilleurs résultats, respectez les instructions d'installation et d'entretien suivantes.

Instructions d'installation – Luminaire à projecteur d'éclairage général Galleon II

Note: Ce luminaire est livré avec toutes ses pièces et l'une des différentes options de montage. Suivez les instructions d'installation correspondant à la pièce commandée dans le catalogue.

Bras de montage sur poteau standard (Fig. 1)

Outils requis:

- Clé à rochet avec douille peu profonde de 1,91 cm (3/4 po)
 - Tournevis à pointe cruciforme n° 2
1. Assurez-vous que le poteau est percé pour un motif de type « N » et retirez le couvercle supérieur du poteau.
 2. Desserrez les deux (2) vis n° 8 pour enlever le couvercle d'accès du bras. Faites pivoter le couvercle vers le bas et faites-le glisser vers l'avant pour le dégager des fentes arrière.
 3. Le cas échéant, installez un adaptateur pour poteau rond entre le luminaire et le poteau rond. Un adaptateur n'est pas nécessaire pour les poteaux carrés.
 4. Vissez deux (2) fixations M14x2 (1/2 po-13) dans le bras (et l'adaptateur, si présent), dans le poteau et dans le plateau-écrou. Serrez le tout à la main en assurant le bon alignement du luminaire.
 5. Serrez les deux boulons à un couple de 54 Nm (40 pi-lb).
 6. Faites passer les fils d'alimentation dans le bras, à travers l'ouverture du centre du plateau-écrou, dans le poteau, puis dans le bras.
 7. Raccordez le fil de terre provenant de l'alimentation à la borne de terre (fils verts).
 8. Connectez le fil de tension provenant de l'alimentation au connecteur de la borne du fil de tension provenant du luminaire (fils noirs).
 9. Connectez le fil neutre provenant de l'alimentation à la borne neutre du luminaire (fils blancs).
 10. Insérez le couvercle d'accès en introduisant les languettes dans les fentes du bras arrière, puis fermez le couvercle. Serrez les deux (2) vis n° 8 à un couple de 1,4 à 1,6 Nm (12 à 14 po-lb).
 11. Remettez le couvercle supérieur du poteau.

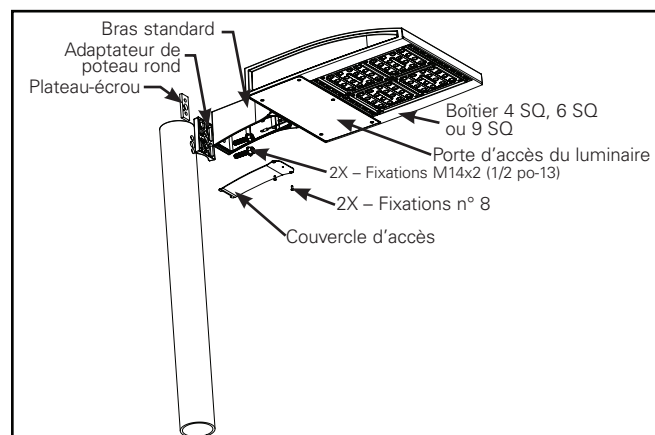


Figure 1.

Bras de montage sur poteau standard avec adaptateur de montage rapide (Fig. 2)

Outils requis:

- Clé à rochet avec douille de 1,4 cm (19/16 po) et 1,9 cm (3/4 po)
 - Tournevis à pointe cruciforme n° 2
1. Assurez-vous que le poteau est percé pour un motif de type « N » et retirez le couvercle supérieur du poteau.
 2. Desserrez les deux (2) vis n° 8 pour enlever le couvercle d'accès du bras. Faites pivoter le couvercle vers le bas et faites-le glisser vers l'avant pour le dégager des fentes arrière.
 3. Vissez une (1) fixation M14x2 (1/2 po-13) dans le trou supérieur du support de l'adaptateur de montage rapide, en passant à travers le trou supérieur du poteau et dans le plateau-écrou. Serrez à la main. Insérez le boulon inférieur de 1,3 cm (1/2 po) en faisant quelques tours pour assurer l'alignement. Serrez le boulon supérieur au support de l'adaptateur et au poteau à un couple de 54 Nm (40 pi-lb). Assurez-vous que le luminaire est à l'équerre au poteau et à niveau, puis enlever le boulon inférieur.
 4. Positionnez le luminaire sur le support de l'adaptateur pour permettre au bras de s'insérer dans le support et de le fixer temporairement. Réinstallez le boulon inférieur de 1,3 cm (1/2 po) et serrez-le à la main. Installez la fixation de 0,95 cm (3/8 po) dans le bras du luminaire par le haut du support de l'adaptateur. Serrez le boulon de 1,3 cm (1/2 po) à un couple de 54 Nm (40 pi-lb). Serrez la fixation de 0,95 cm (3/8 po) à un couple de 27 Nm (20 pi-lb).
 5. Faites passer les fils d'alimentation dans le bras, à travers l'ouverture du centre du plateau-écrou, dans le poteau, puis dans le bras.
 6. Raccordez le fil de terre provenant de l'alimentation à la borne de terre (fils verts).
 7. Connectez le fil de tension provenant de l'alimentation au connecteur de la borne du fil de tension provenant du luminaire (fils noirs).
 8. Connectez le fil neutre provenant de l'alimentation à la borne neutre du luminaire (fils blancs).
 9. Insérez le couvercle d'accès en introduisant les languettes dans les fentes du bras arrière, puis fermez le couvercle. Serrez les deux (2) vis n° 8 à un couple de 1,4 à 1,6 Nm (12 à 14 po-lb).
 10. Remettez le couvercle supérieur du poteau.

Instructions d'installation – Luminaire à projecteur d'éclairage général Galleon II

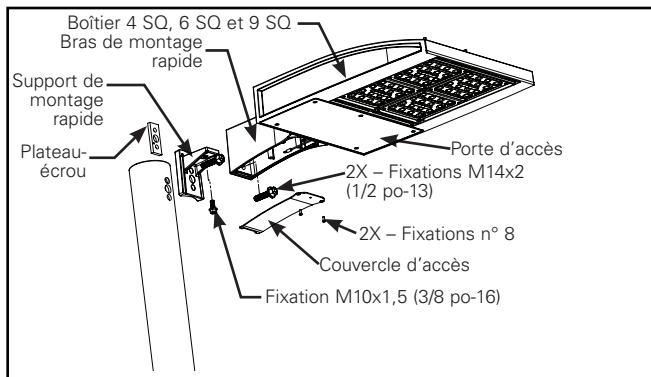


Figure 2.

Montage sur poteau, réglable (Fig. 3)

Outils requis:

- Clé à rochet avec douille de 1,9 cm (3/4 po)
 - Tournevis à pointe cruciforme n° 2
1. Desserrez les deux (2) vis n° 8 pour enlever le couvercle d'accès du bras.
 2. Assurez-vous que le poteau est percé pour un motif de type « N ». Un gabarit peut être fourni au besoin.
 3. Retirez le couvercle supérieur du poteau.
 4. Si vous utilisez un adaptateur pour poteau rond, installez-le entre le luminaire et le poteau rond. Un adaptateur n'est pas nécessaire pour les poteaux carrés.
 5. Installez le plateau-écrou et maintenez-le à l'intérieur du poteau. Le luminaire soutenu, alignez les deux (2) fixations M14x2 (1/2 po-13) dans le bras, dans l'adaptateur de poteau (s'il est présent) et dans la configuration de trous passant du poteau au plateau-écrou. Serrez-les à la main pour vous assurer que le luminaire est aligné avant de le serrer complètement.
 6. Serrez les deux boulons à embase à l'intérieur du luminaire à un couple de 54 Nm (40 pi-lb).
 7. Faites passer les fils d'alimentation du luminaire dans la cavité du bras, à travers l'ouverture du centre du plateau-écrou, dans le poteau, puis dans le bras.
 8. Depuis l'intérieur du luminaire, connectez les fils d'alimentation aux fils d'alimentation du luminaire appropriés :
 - a. Le fil de terre provenant de l'alimentation avec le fil vert du luminaire.
 - b. Le fil neutre provenant de l'alimentation avec le fil blanc du luminaire.
 - c. Le fil de tension provenant de l'alimentation avec le fil noir du luminaire.

9. Desserrez les deux (2) boulons à embase M20x1,5 (3/8 po-16) situés dans les fentes pour régler les angles du luminaire. Une fois que les angles sont réglés à l'aide des deux (2) boulons à embase M20x1,5 (3/8 po-16) situés dans les fentes, serrez ceux-ci à un couple 27,2 Nm (20 lb-pi).
10. Remettez le couvercle d'accès sur le bras. Serrez les trois (3) vis n° 8 à un couple de 1,4 à 1,6 Nm (12 à 14 po-lb).

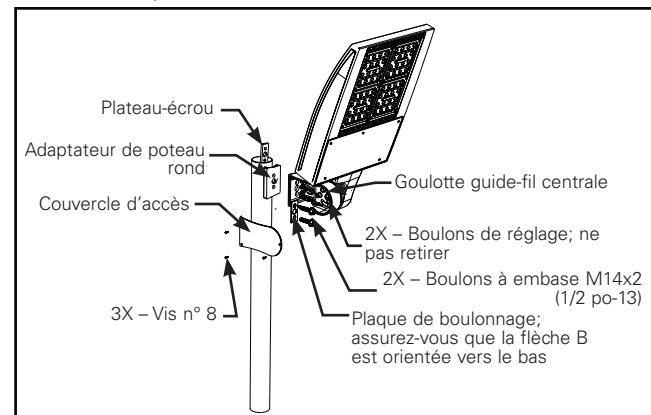


Figure 3.

Montage mural, fixe (Fig. 4)

Outils requis:

- Clé à rochet avec douille de 1,9 cm (3/4 po)
 - Tournevis à pointe cruciforme n° 2
1. Desserrez les deux (2) vis n° 8 pour enlever le couvercle d'accès du bras. Faites pivoter le couvercle vers le bas et faites-le glisser vers l'avant pour le dégager des fentes arrière.
 2. Alignez les trous du centre de la plaque murale décorative au bras du luminaire. Utilisez les deux (2) fixations M14x2 (1/2 po-13), puis serrez-les à la main en assurant un bon alignement.
 3. Serrez les deux (2) fixations M14x2 (1/2 po-13) à un couple de 54 Nm (40 pi-lb). Mettez le luminaire de côté.
 4. Faites passer les fils d'alimentation de la boîte de jonction dans la garniture murale et dans l'ouverture du centre de la plaque de fixation.
 5. Fixez la plaque de fixation au mur à l'aide des quatre boulons (fournis par d'autres).
 6. Faites passer les fils d'alimentation dans l'ouverture du centre de la plaque murale décorative et dans l'ensemble du bras (à travers le passe-fil en caoutchouc silicone).
 7. Accrochez la plaque murale décorative sur la plaque de fixation, puis serrez la vis M6x1 (1/4 po-20) dans le bas de la plaque murale décorative à un couple de 1,7 Nm (15 po-lb).

Instructions d'installation – Luminaire à projecteur d'éclairage général Galleon II

8. Depuis l'intérieur du luminaire, connectez les fils d'alimentation aux fils d'alimentation du luminaire appropriés :
 - a. Le fil de terre provenant de l'alimentation avec le fil vert du luminaire.
 - b. Le fil neutre provenant de l'alimentation avec le fil blanc du luminaire.
 - c. Le fil de tension provenant de l'alimentation avec le fil noir du luminaire.
9. Insérez le couvercle d'accès en introduisant les languettes dans les fentes du bras arrière, puis fermez le couvercle. Serrez les deux (2) vis n° 8 à un couple de 1,6 Nm (14 po-lb).

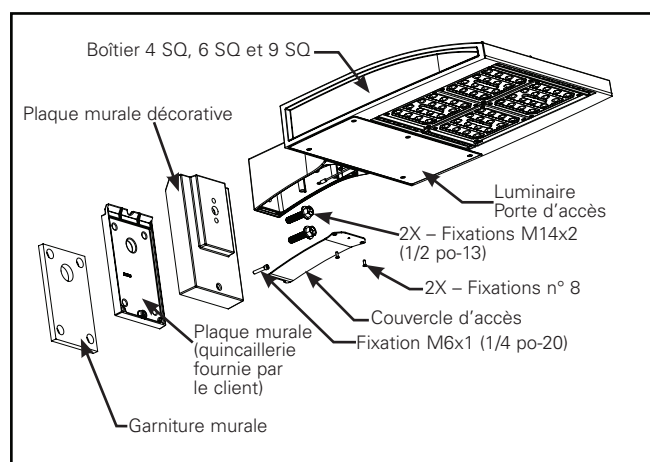


Figure 4.

Montage mural, réglable (Fig. 5)

Outils requis :

- Clé à rochet avec douille de 1,9 cm (3/4 po)
 - Tournevis à pointe cruciforme n° 2
1. Desserrez les deux (3) vis n° 8 pour enlever le couvercle d'accès du bras. Mettez-les de côté pour l'installation.
 2. Alignez les trous du centre de la plaque murale décorative au bras du luminaire. Installez la plaque de boulonnage et les deux (2) fixations M14x2 (1/2 po-13), puis serrez-les à la main jusqu'à l'obtention du bon alignement. Assurez-vous que le marquage de la plaque de boulonnage (B) et la flèche soient orientés vers le bas.
 3. Serrez les deux (2) fixations M14x2 (1/2 po-13) à un couple de 54 Nm (40 pi-lb). Mettez le luminaire de côté.
 4. Faites passer les fils d'alimentation de la boîte de jonction dans la garniture murale et dans l'ouverture du centre de la plaque de fixation.

5. Fixez la plaque de fixation au mur à l'aide des quatre boulons (fournis par d'autres).
6. Faites passer les fils d'alimentation dans l'ouverture du centre de la plaque murale décorative et dans l'ensemble du bras (à travers le passe-fil en caoutchouc silicone).
7. Accrochez la plaque murale décorative sur la plaque de fixation, puis serrez la vis M6x1 (1/4 po-20) dans le bas de la plaque murale décorative à un couple de 1,7 Nm (15 po-lb).
8. Depuis l'intérieur du luminaire, connectez les fils d'alimentation aux fils d'alimentation du luminaire appropriés :
 - a. Le fil de terre provenant de l'alimentation avec le fil vert du luminaire.
 - b. Le fil neutre provenant de l'alimentation avec le fil blanc du luminaire.
 - c. Le fil de tension provenant de l'alimentation avec le fil noir du luminaire.
9. Réglez l'angle approprié à l'aide des deux (2) boulons à embase M10x1,5 (3/8 po-16). Serrez-les à un couple de 27,1 Nm (20 pi-lb).
10. Remettez le couvercle d'accès sur le bras. Serrez les deux (3) vis n° 8 à un couple de 1,6 Nm (14 po-lb).

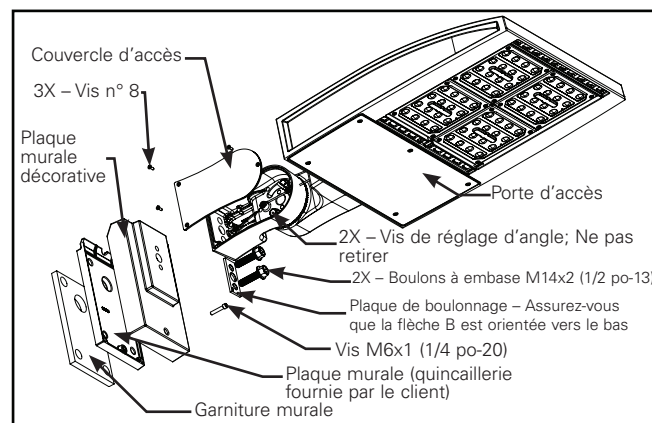


Figure 5.

Instructions d'installation – Luminaire à projecteur d'éclairage général Galleon II

Crosse, fixe (Fig. 6)

Outils requis:

- Clé hexagonale de 0,5 cm (3/16 po)
 - Perceuse avec mèche de 1,1 cm (7/16 po)
 - Clé à rochet avec douille de 1,9 cm (9/16 po)
1. Desserrez les quatre (4) vis de réglage, puis retirez le boulon traversant central pour permettre un dégagement pour l'installation.
 2. Tirez tous les fils d'alimentation à travers la crosse du client.
 3. Au moment de faire les raccords à l'intérieur du poteau, connectez les fils d'alimentation aux fils du luminaire appropriés : Rapprochez le luminaire de la crosse pour effectuer les connexions appropriées.
 - a. Le fil de terre provenant de l'alimentation avec le fil vert du luminaire.
 - b. Le fil neutre provenant de l'alimentation avec le fil blanc du luminaire.
 - c. Le fil de tension provenant de l'alimentation avec le fil noir du luminaire.
 4. Faites glisser l'ensemble sur la crosse du client (en vous assurant de ne pas pincer les fils d'alimentation). Assurez-vous que la crosse est complètement insérée dans le luminaire, puisqu'elle doit atteindre le fond.
 5. Assurez-vous que le luminaire est aligné en fonction de votre environnement et fixez la crosse du luminaire à la crosse du client avec les quatre (4) vis de réglage M10x1,5 (3/8-16) x 0,95 cm (3/8 po). Serrez les vis de réglage à un couple de 19 Nm (14 pi-lb).
 6. Percez un trou de 1,1 cm (7/16 po) dans la crosse et installez le boulon de carrosserie de 0,95 cm (3/8 po) et un écrou. **AVIS : Prenez soin de n'endommager aucun fil à l'intérieur de la crosse.** Elle peut être prépercée pour éviter d'endommager les fils.
 7. Installez le boulon traversant M10x1,5 (3/8-16) de 11,4 cm (4,5 po), puis serrez-le à un couple de 19 Nm (14 pi-lb).

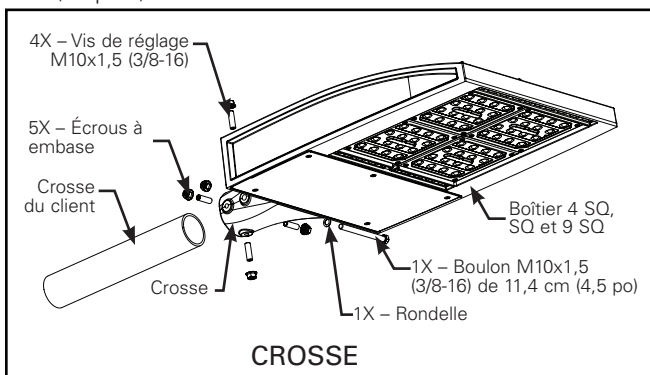


Figure 6.

Adaptateur d'emboîtement, réglable (Fig. 7 et 8)

Outils requis:

- Clé à rochet avec douille de 1,9 cm (9/16 po)
- Clé hexagonale de 0,5 cm (1/4 po)
- Clé de 1,9 cm (3/4 po)
- Tournevis à pointe cruciforme n° 2

Note: L'adaptateur d'emboîtement se monte sur un tenon vertical de 7,6 cm (3 po). Pour le montage sur un tenon de 6 cm (2 3/8 po), la pièce SRA238 (commandée séparément) est requise.

1. Desserrez les trois (3) vis n° 8 pour enlever le couvercle d'accès du bras avec adaptateur d'emboîtement. Mettez-le de côté.
2. Retirez le bouchon de protection situé sur le côté inférieur du bras avec adaptateur d'emboîtement et jetez-le.
3. Faites passer les fils d'alimentation par le haut du poteau ou du tenon. Soutenez le luminaire et abaissez-le sur le poteau en faisant passer les fils d'alimentation à travers la fente de la goulotte guide-fil dans le bras.
4. Une fois le luminaire en place, serrez à la main les trois (3) vis de réglage angulaires pour les fixer solidement. Serrez à la main les trois (3) vis de réglage inférieures, puis les vis de réglage angulaires supérieures à un couple de 20 pi-lb. Installez les trois (3) écrous hexagonaux sur les vis de réglage inférieures et serrez les trois (3) vis de réglage et les (3) écrous à un couple de 27,12 Nm (20 pi-lb).
5. Depuis l'intérieur du bras avec adaptateur d'emboîtement, connectez les fils d'alimentation aux fils d'alimentation du luminaire appropriés :
 - a. Le fil de terre provenant de l'alimentation avec le fil vert du luminaire.
 - b. Le fil neutre provenant de l'alimentation avec le fil blanc du luminaire.
 - c. Le fil de tension provenant de l'alimentation avec le fil noir du luminaire.
6. Si nécessaire, desserrez les deux (2) boulons de réglage d'angle M10x1,5 (3/8-16) situés près de la goulotte guide-fil centrale pour effectuer les réglages d'angle à la verticale du luminaire. Le luminaire peut être réglé à un angle entre -10 et 80 degrés par rapport à l'horizontale. Serrez-les à un couple de 27,1 Nm (20 pi-lb).
7. Remettez le couvercle d'accès, puis serrez les trois (3) vis n° 8 à un couple de 14 pi-lb.

Instructions d'installation – Luminaire à projecteur d'éclairage général Galleon II

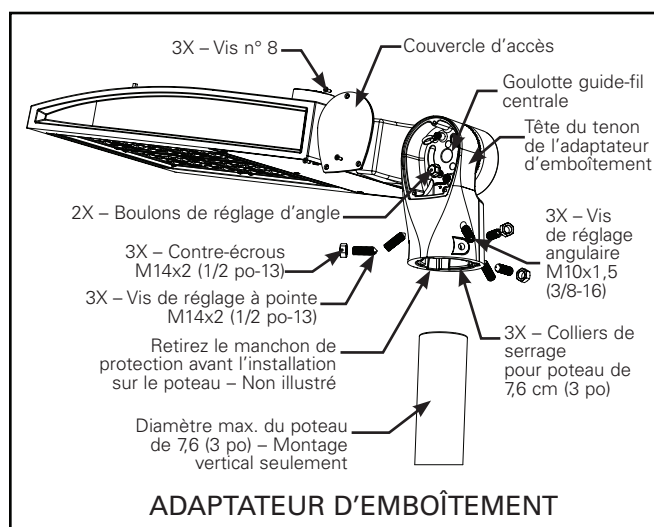


Figure 7.

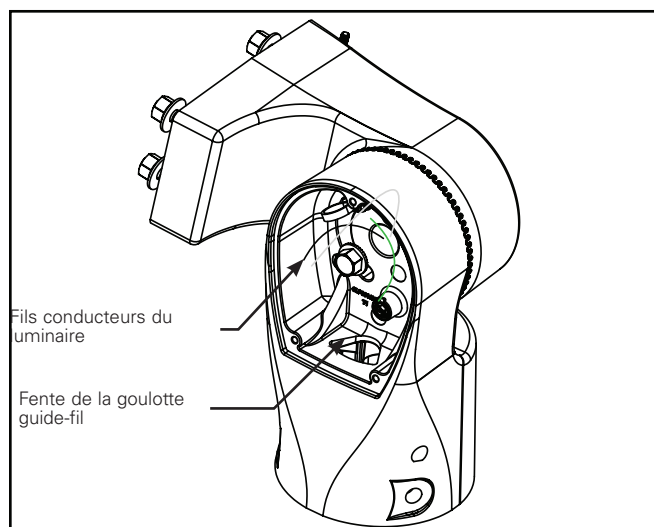


Figure 8.

Bras monté à la verticale (Fig. 9)

Outils requis:

- Clé à rochet avec douille de 1,4 cm (9/16 po) et 1,9 cm (3/4 po)
- Tournevis à pointe cruciforme n° 2

1. Retirez le couvercle supérieur du poteau.
2. Desserrez la vis (1) n° 8 pour enlever le couvercle d'accès du bras. Faites pivoter le couvercle vers le bas et faites-le glisser vers l'arrière pour le dégager des fentes avant.
3. Installez le plateau-écrou et maintenez-le à l'intérieur du poteau. Installez une (1) fixation M14x2 (1/2 po-13) dans l'adaptateur, le poteau et le plateau-écrou, puis serrez-la à la main. Insérez la fixation inférieure M14x2 (1/2 po-13) sans trop la serrer pour assurer l'alignement tout en serrant le support de montage supérieur. Serrez le boulon à embase supérieur au support du bras et au poteau à un couple de 54 Nm (40 pi-lb).
4. Retirez la fixation inférieure M14x2 (1/2 po-13) et placez le luminaire sur le support de l'adaptateur. Le bras de montage rapide s'insérera dans la fente sur le support de l'adaptateur pour fixer le luminaire. En soutenant le luminaire, réinstallez les fixations inférieures M14x2 (1/2 po-13) et serrez-les à la main.
5. Installez la fixation M20x1,5 (3/8 po-16) dans le support du bras du luminaire, puis dans le bras. Serrez-la à la main pour assurer l'alignement, puis serrez le boulon à embase inférieur M14x2 (1/2 po-13) à un couple de 54 Nm (40 pi-lb). Serrez le boulon à embase supérieur M20x1,5 (3/8 po-16) à un couple de 27 Nm (20 pi-lb).
6. Faites passer les fils d'alimentation du luminaire dans la cavité du bras, à travers l'ouverture du centre du plateau-écrou, dans le poteau, puis dans le bras.
7. Raccordez le fil de terre provenant de l'alimentation à la borne de terre (fils verts).
8. Connectez le fil de tension provenant de l'alimentation au connecteur de la borne du fil de tension provenant du luminaire (fils noirs).
9. Connectez le fil neutre provenant de l'alimentation à la borne neutre du luminaire (fils blancs).
10. Installez le couvercle d'accès en introduisant les languettes dans les fentes du bras avant. Serrez la vis (1) n° 8 à un couple de 1,6 Nm (14 po-lb).
11. Remettez le couvercle supérieur du poteau.

Instructions d'installation – Luminaire à projecteur d'éclairage général Galleon II

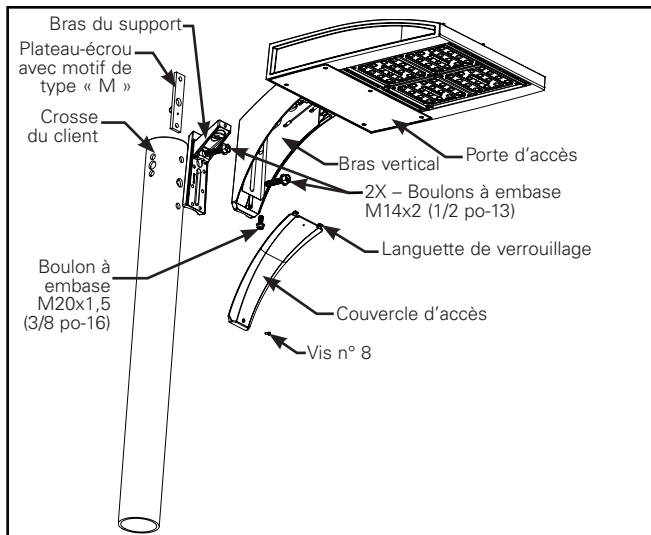


Figure 9.

Orientation du réceptacle pour interrupteur photo-électrique (selon l'équipement – Fig 10.)

Note: Si votre luminaire est équipé d'un réceptacle pour interrupteur photo-électrique, consultez le supplément du réceptacle pour interrupteur photo-électrique IB525002EN afin d'identifier votre interrupteur photo-électrique et de suivre les instructions du tableau et toutes les remarques applicables.

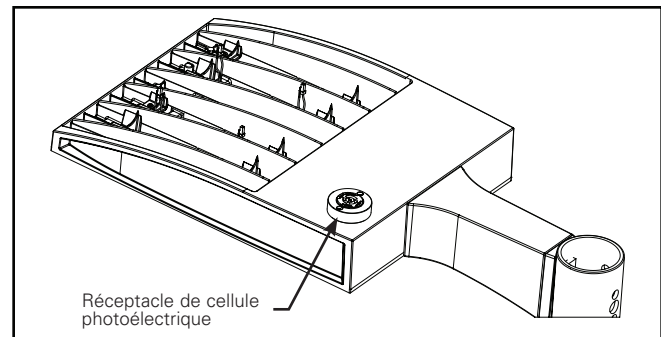


Figure 10.

Commutateur à deux niveaux d'intensité (selon l'équipement)

En cas de commutation à deux niveaux d'intensité, chaque fil d'alimentation du luminaire comportera une étiquette indiquant les préférences en matière de variation (définies lors de la commande). Pour utiliser cette fonction, il faudra connecter aux fils du luminaire deux lignes d'alimentation distinctes comprenant chacune un fil de tension, un fil neutre et un fil de terre.

Entretien

Un horaire d'entretien périodique doit être respecté pour maintenir un flux lumineux et une puissance thermique optimaux. Le nettoyage de la lentille optique doit être fait à l'aide d'un linge propre et sec afin de retirer toute la poussière et les autres contaminants. Il est possible de nettoyer l'appareil plus en profondeur à l'aide d'une solution de nettoyage acrylique non abrasive.

Instrucciones de instalación – Reflector y Area Site Galleon II

IMPORTANTE: Lea atentamente antes de instalar el producto. Conserve estas instrucciones para consultarlas en el futuro. El incumplimiento de estas instrucciones puede provocar la muerte, lesiones corporales graves y daños materiales.

ADVERTENCIA



Riesgo de incendio, descarga eléctrica, cortes u otros riesgos de accidentes: la instalación y el mantenimiento de este producto deben ser realizados por un electricista calificado. Una persona con conocimientos sobre la construcción y el funcionamiento del producto y los riesgos implicados debe instalar este producto de conformidad con el código de instalación aplicable.



Riesgo de incendio y descarga eléctrica: asegúrese de que la alimentación eléctrica esté **APAGADA** antes de comenzar la instalación o intentar realizar cualquier tipo de mantenimiento. Desconecte la alimentación eléctrica en el fusible o cortacircuitos.



Riesgo de incendio: consulte la etiqueta del producto para conocer los requisitos mínimos específicos del conductor de suministro.



Riesgo de quemadura: desconecte la alimentación y permita que la luminaria se refresque antes de manipularla o repararla.

Riesgo de lesiones personales: la luminaria puede dañarse o desestabilizarse de no instalarla correctamente.

RENUNCIA DE RESPONSABILIDAD: Cooper Lighting Solutions no asume ninguna responsabilidad por daños o pérdidas de ningún tipo que puedan derivarse de la instalación, manipulación o uso incorrecto, descuido o negligente de este producto.

AVISO: El tornillo de puesta a tierra verde ya está ubicado correctamente. No lo cambie de ubicación.

ATENCIÓN Departamento de Recepción: Observe que la descripción real de la luminaria no carezca de piezas ni presente daños notorios al momento de su entrega. Presente el reclamo directamente al transportista de carga por envíos de carga ligera (LTL). Los reclamos por daños ocultos deben presentarse dentro de los 15 días posteriores a la entrega del producto. Se debe guardar todo el material dañado, junto con el embalaje original.

Seguridad: Esta luminaria debe cablearse de acuerdo con el Código Eléctrico Nacional y los códigos y ordenanzas locales aplicables. Se requiere una conexión a tierra adecuada para garantizar la seguridad personal. Observe cuidadosamente el procedimiento de conexión a tierra en la sección de instalación.

APLICACIONES: Esta luminaria está diseñada para aplicaciones de iluminación al aire libre y no debe utilizarse en áreas de ventilación limitada o en lugares cerrados con alta temperatura ambiente. Debe almacenarse en una ubicación seca antes de la instalación. No exponga la luminaria a la lluvia, el polvo u otras condiciones ambientales antes de la instalación y la inserción de la celda fotoeléctrica o el tapón de cortocircuito (si estuvieran incluidos). Obtendrá mejores resultados si se la instala y se le realiza el servicio de mantenimiento de acuerdo con las siguientes instrucciones.

Instrucciones de instalación – Reflector y Area Site Galleon II

Nota: Esta luminaria se ha enviado completa, con una de varias opciones de montaje. Siga las instrucciones de instalación específicas para la pieza del catálogo que solicitó.

Brazo de montaje en poste estándar (Fig. 1)

Herramientas necesarias:

- Llave de trinquete con cubo de 3/4" poco profundo
 - Destornillador de cabeza Phillips n.º 2
1. Asegúrese de que el poste esté perforado para el patrón "N" y retire la tapa superior del poste.
 2. Afloje los (2) tornillos n.º 8 para retirar la cubierta de acceso del brazo. Gire hacia abajo, deslizando la cubierta hacia adelante para que se suelte de las ranuras traseras.
 3. Si corresponde, instale un adaptador de poste redondo entre la luminaria y el poste. Para postes cuadrados, esto no es necesario.
 4. Enrosque (2) sujetadores de 1/2"-13 a través del brazo (y el adaptador, si está presente), el poste y dentro de la placa de tuerca. Ajuste a mano, asegurándose de que la luminaria esté correctamente alineada.
 5. Apriete ambos pernos a 40 pies-lb (54 Nm).
 6. Pase los terminales de alimentación por el brazo, a través de la abertura central de la placa de tuerca, el poste y el brazo.
 7. Conecte el cable de conexión a tierra del lado de la alimentación al conector del terminal de conexión a tierra (cables verdes).
 8. Conecte el cable de voltaje de línea del lado de la alimentación al conector del terminal de voltaje de línea del lado de la luminaria (cables negros).
 9. Conecte el cable neutro del lado de la alimentación al conector del terminal del cable neutro del lado de la luminaria (cables blancos).
 10. Inserte la cubierta de acceso colocando las lengüetas en las ranuras del brazo trasero y cierre la cubierta. Ajuste los (2) tornillos n.º 8 y apriete a 12-14 in-lb (1,35 Nm-1,58 Nm).
 11. Vuelva a colocar la tapa superior del poste.

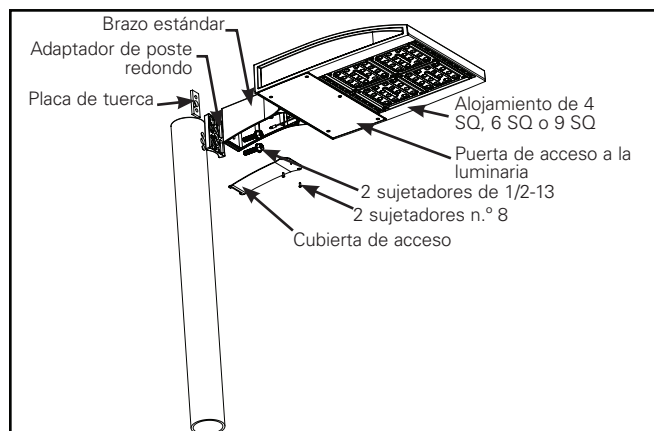


Figura 1.

Brazo de montaje en poste estándar con adaptador de montaje rápido (QM) (Fig. 2)

Herramientas necesarias:

- Llave de trinquete con cubo de 9/16" y 3/4"
 - Destornillador de cabeza Phillips n.º 2
1. Asegúrese de que el poste esté perforado para el patrón "N" y retire la tapa superior del poste.
 2. Afloje los (2) tornillos n.º 8 para retirar la cubierta de acceso del brazo. Gire hacia abajo, deslizando la cubierta hacia adelante para que se suelte de las ranuras traseras.
 3. Enrosque (1) sujetador de 1/2"-13 a través del orificio superior del soporte del adaptador de montaje rápido, el orificio superior del poste y dentro de la placa de tuerca. Ajuste a mano. Inserte el perno inferior de 1/2" dando unas vueltas para asegurar la alineación. Ajuste el perno superior al soporte del adaptador y al poste a 40 pies-lb (54 Nm), asegurándose de que la luminaria esté en escuadra con el poste y nivelada, y retire el perno inferior.
 4. Coloque la luminaria sobre el soporte adaptador para que el brazo se enganche al soporte para asegurarlo temporalmente. Vuelva a instalar el perno inferior de 1/2" y ajuste a mano. Instale el sujetador de 3/8" a través de la parte superior del soporte del adaptador y dentro del brazo de la luminaria. Apriete el perno inferior de 1/2" a 40 pies-lb (54 Nm). Apriete el sujetador de 3/8" a 20 pies-lb (27 Nm).
 5. Pase los terminales de alimentación por el brazo, a través de la abertura central de la placa de tuerca, el poste y el brazo.
 6. Conecte el cable de conexión a tierra del lado de la alimentación al conector del terminal de conexión a tierra (cables verdes).
 7. Conecte el cable de voltaje de línea del lado de la alimentación al conector del terminal de voltaje de línea del lado de la luminaria (cables negros).
 8. Conecte el cable neutro del lado de la alimentación al conector del terminal del cable neutro del lado de la luminaria (cables blancos).
 9. Inserte la cubierta de acceso colocando las lengüetas en las ranuras del brazo trasero y cierre la cubierta. Ajuste los (2) tornillos n.º 8 y apriete a 12-14 in-lb (1,35 Nm-1,58 Nm).
 10. Vuelva a colocar la tapa superior del poste.

Instrucciones de instalación – Reflector y Area Site Galleon II

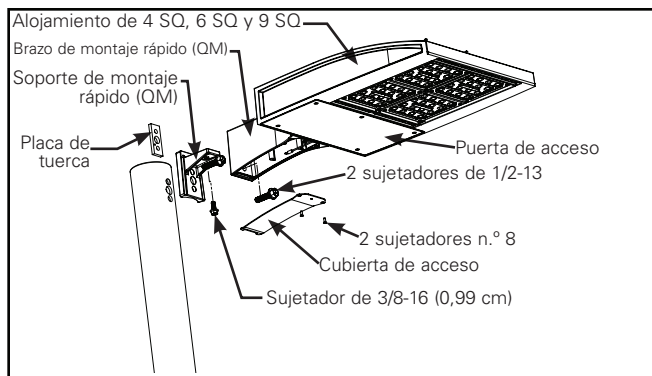


Figura 2.

Montaje en poste, ajustable (PA) (Fig. 3)

Herramientas necesarias:

- Llave de trinquete con cubo de 3/4"
- Destornillador de cabeza Phillips n.º 2

1. Afloje los (3) tornillos n.º 8 para retirar la cubierta de acceso del brazo.
2. Asegúrese de que el poste esté perforado para el patrón "N". Se puede proporcionar una plantilla según sea necesario.
3. Retire la tapa superior del poste.
4. Si utiliza el adaptador de poste redondo opcional, instálelo entre la luminaria y el poste redondo. Para postes cuadrados, esto no es necesario.
5. Instale y sostenga la placa de tuerca provista dentro del poste. Con la luminaria sostenida, alinee (2) sujetadores de 1/2"-13 a través del brazo, el adaptador de poste si se usa y el patrón de orificios en el poste dentro de la placa de tuerca. Ajuste a mano para asegurarse de que la luminaria esté alineada antes de ajustar.
6. Ajuste ambos pernos de la brida dentro de la luminaria a 40 pies-lb (54 Nm).
7. Pase los terminales de la luminaria a través de la abertura central de la placa de tuerca, el poste y el brazo, en la cavidad del brazo.
8. Dentro del brazo de la luminaria, conecte los cables de alimentación a los terminales de la luminaria correspondientes:
 - a. El cable de conexión a tierra del lado de la alimentación al terminal verde de la luminaria.
 - b. El cable neutro del lado de la alimentación al terminal blanco de la luminaria.
 - c. El cable de voltaje de línea del lado de la alimentación al terminal negro de la luminaria.
9. Afloje los (2) pernos de 3/8-16 ubicados en las ranuras

para hacer ajustes de ángulo a la luminaria. Una vez realizados estos ajustes de ángulo, utilice los (2) pernos de brida de 3/8-16 ubicados en las ranuras. Ajuste y apriete a 20 pies-lb (27 Nm).

10. Vuelva a colocarle la cubierta de acceso al brazo. Ajuste los (3) tornillos n.º 8 y apriete a 12~14 in-lb (1,35 Nm-1,58 Nm).

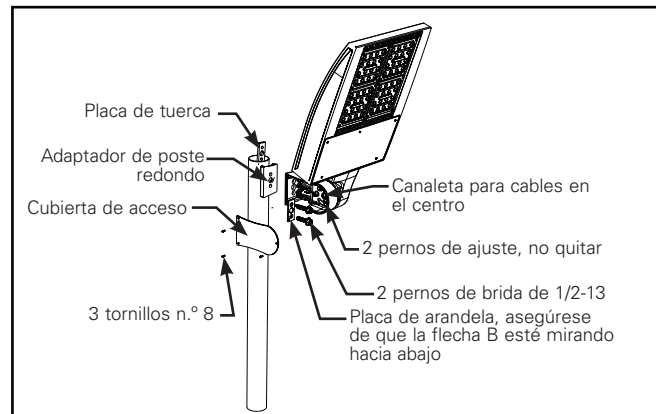


Figura 3.

Montaje en pared, fijo (WM) (Fig. 4)

Herramientas necesarias:

- Llave de trinquete con cubo de 3/4"
 - Destornillador de cabeza Phillips n.º 2
1. Afloje los (2) tornillos n.º 8 para retirar la cubierta de acceso del brazo. Gire hacia abajo, deslizando la cubierta hacia adelante para que se suelte de las ranuras traseras.
 2. Alinee los orificios centrales de la placa decorativa para paredes con el brazo de la luminaria. Utilice los (2) sujetadores de 1/2"-13 y ajústelos a mano, asegurando una alineación adecuada.
 3. Apriete los (2) tornillos de 1/2"-13 a 40 pies-lb (54 Nm). Deje a un lado la unidad de la luminaria.
 4. Enrosque los cables de alimentación desde la caja de derivación a través de la junta de pared y la abertura central de la placa de sujeción.
 5. Asegure la placa de sujeción a la pared con cuatro pernos (provistos por terceros).
 6. Enrosque los cables de alimentación a través de la abertura central de la placa decorativa para paredes y dentro de la unidad del brazo (pasando por el ojal del cable de caucho de silicona).
 7. Suspenda la placa decorativa para paredes sobre la placa de sujeción y ajuste el tornillo de 1/4-20 ubicado en la parte inferior de la placa decorativa para paredes a 15 in-lb (1,69 Nm).

Instrucciones de instalación – Reflector y Area Site Galleon II

8. Dentro del brazo de la luminaria, conecte los cables de alimentación a los terminales de la luminaria correspondientes:

- El cable de conexión a tierra del lado de la alimentación al terminal verde de la luminaria.
- El cable neutro del lado de la alimentación al terminal blanco de la luminaria.
- El cable de voltaje de línea del lado de la alimentación al terminal negro de la luminaria.

9. Inserte la cubierta de acceso colocando las lengüetas en las ranuras del brazo trasero y cierre la cubierta. Ajuste los (2) tornillos n.º 8 a 14 in-lb (1,58 Nm).

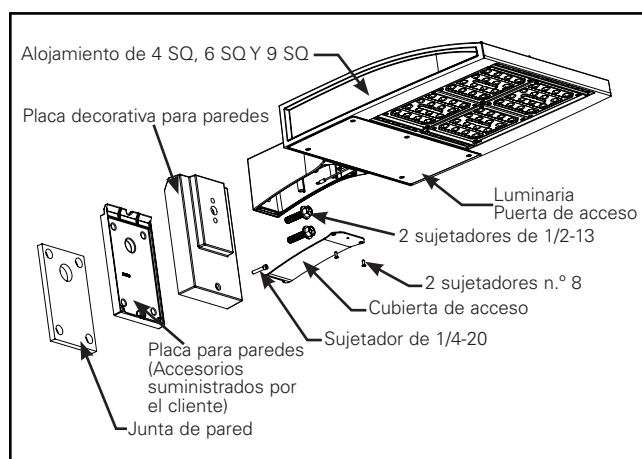


Figura 4.

Montaje en pared, ajustable (WA) (Fig. 5)

Herramientas necesarias:

- Llave de trinquete con cubo de 3/4"
- Destornillador de cabeza Phillips n.º 2

- Afloje los (3) tornillos n.º 8 para retirar la cubierta de acceso del brazo. Déjela a un lado para volver a instalarla.
- Alinee los orificios centrales de la placa decorativa para paredes con el brazo de la luminaria. Instale la placa de arandela y los (2) sujetadores 1/2-13 (0,45 cm) y ajuste a mano hasta lograr la alineación adecuada. Asegúrese de que la marca de la placa de arandela (B) y la flecha miren hacia abajo.
- Apriete los (2) tornillos de 1/2"-13 a 40 pies-lb (54 Nm). Deje a un lado la unidad de la luminaria.
- Tienda los cables de alimentación desde la caja de derivación a través de la junta de pared y la abertura central de la placa de sujeción.
- Asegure la placa de sujeción a la pared con cuatro pernos (provistos por terceros).

6. Tienda los cables de alimentación en la abertura central de la placa decorativa para paredes y dentro de la unidad del brazo (pasando por el ojal del cable de caucho de silicona).

7. Suspenda la placa decorativa para paredes sobre la placa de sujeción y ajuste el tornillo de 1/4"-20 ubicado en la parte inferior de la placa decorativa para paredes a 15 in-lb (1,69 Nm).

8. Dentro del brazo de la luminaria, conecte los cables de alimentación a los terminales de la luminaria correspondientes:

- El cable de conexión a tierra del lado de la alimentación al terminal verde de la luminaria.
- El cable neutro del lado de la alimentación al terminal blanco de la luminaria.
- El cable de voltaje de línea del lado de la alimentación al terminal negro de la luminaria.

9. Ajuste el ángulo adecuado con los (2) pernos de brida de 3/8"-16. Apriete a 20 pies-lb (27 Nm).

10. Vuelva a colocarle la cubierta de acceso al brazo. Ajuste los (3) tornillos n.º 8 a 14 in-lb (1,58 Nm).

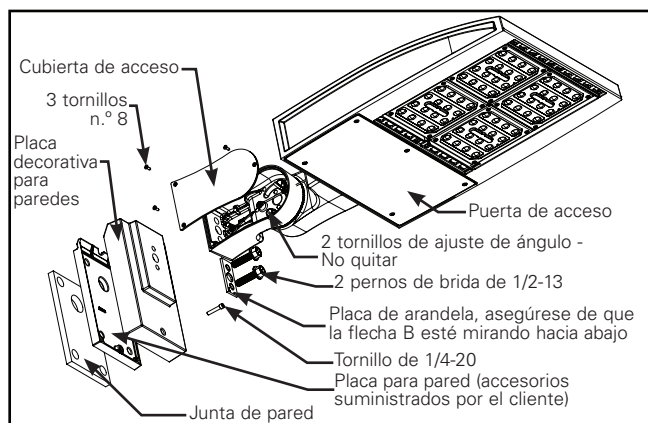


Figura 5.

Instrucciones de instalación – Reflector y Area Site Galleon II

Brazo del mástil, fijo (MA) (Fig. 6)

Herramientas necesarias:

- Llave Allen de 3/16"
 - Taladro con broca de 7/16"
 - Llave de trinquete con cubo de 9/16"
1. Afloje los (4) tornillos de sujeción y retire el perno pasante central para dejar espacio para la instalación.
 2. Tire de todos los cables de alimentación a través del brazo del mástil del cliente.
 3. Al realizar las conexiones dentro del poste, conecte los cables de alimentación a los terminales de la luminaria correspondientes: Sostenga la luminaria cerca del brazo del mástil para realizar las conexiones adecuadas.
 - a. El cable de conexión a tierra del lado de la alimentación al terminal verde de la luminaria.
 - b. El cable neutro del lado de la alimentación al terminal blanco de la luminaria.
 - c. El cable de voltaje de línea del lado de la alimentación al terminal negro de la luminaria.
 4. Deslice la unidad sobre el brazo del mástil del cliente (asegurándose de no pellizcar los terminales de alimentación). Asegúrese de que el brazo del mástil esté completamente asentado en el brazo del mástil de la luminaria, ya que debe apoyarse en el fondo.
 5. Asegúrese de que la luminaria esté alineada para su entorno y asegure la luminaria del brazo del mástil al brazo del mástil del cliente con los (4) tornillos de sujeción de 3/8-16 x 3/8". Ajuste los tornillos de sujeción a 14 pies-lb (18 Nm).
 6. Perfore un orificio de 7/16" a través del brazo del mástil e instale el perno y la tuerca de fijación de 3/8". **AVISO: Tenga cuidado al perforar este orificio para no dañar los cables dentro del brazo del mástil.** Este orificio se puede perforar previamente para evitar daños en los cables.
 7. Instale el perno pasante de 3/8-16 x 4,5" y apriete a 14 pies-lb (18 Nm).

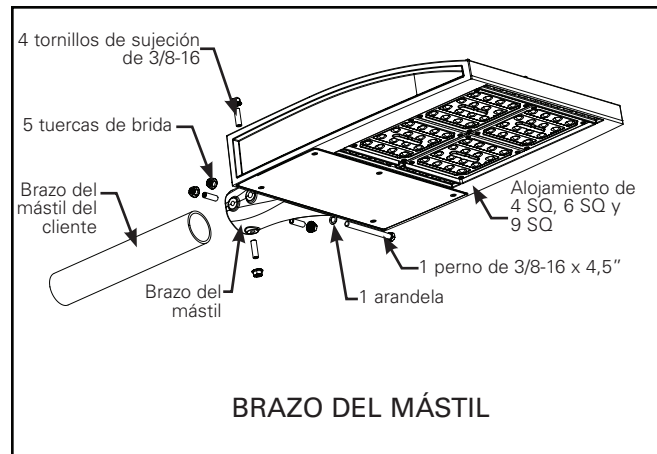


Figura 6.

Adaptador deslizante, ajustable (SP) (Fig. 7 y 8)

Herramientas necesarias:

- Llave de trinquete con cubo de 9/16"
- Llave Allen de 1/4"
- Llave abierta de 3/4"
- Destornillador de cabeza Phillips n.º 2

Nota: El adaptador deslizante se monta en una espiga vertical de 3" (7,62 cm). Para el montaje en una espiga de 2-3/8", se necesita la pieza SRA238 (se pide por separado).

1. Afloje los (3) tornillos n.º 8 para retirar la cubierta de acceso del brazo del adaptador deslizante. Déjela a un lado.
2. Quite el tapón protector en el lado inferior del brazo del adaptador deslizante y deséchelo.
3. Enrosque los terminales del cable de alimentación a través de la parte superior del poste o la espiga. Sostenga la luminaria y bájelo sobre el poste mientras pasa los cables de alimentación a través de la ranura de la canaleta para cables en el brazo.
4. Una vez que la luminaria esté en su posición, ajuste a mano los (3) tornillos de sujeción en ángulo para asegurarlos en su lugar. Ajuste a mano los (3) tornillos de sujeción inferiores, luego ajuste los tornillos de sujeción en ángulo superiores a 20 pies-lb (27 Nm). Instale (3) tuercas hexagonales en los tornillos de sujeción inferiores y ajuste los (3) tornillos de sujeción y las (3) tuercas a 20 pies-lb (27 Nm).
5. Dentro del brazo del adaptador deslizante, conecte los cables de alimentación a los terminales de la luminaria correspondientes:
 - a. El cable de conexión a tierra del lado de la alimentación al terminal verde de la luminaria.

Instrucciones de instalación – Reflector y Area Site Galleon II

- b. El cable neutro del lado de la alimentación al terminal blanco de la luminaria.
 - c. El cable de voltaje de línea del lado de la alimentación al terminal negro de la luminaria.
6. Si es necesario, afloje los (2) pernos de ajuste de ángulo de 3/8"-16 ubicados cerca de la canaleta para cables en el centro para hacer ajustes de ángulo vertical a la luminaria. La luminaria se puede ajustar de -10 grados a 80 grados desde el nivel horizontal. Apriete a 20 pies-lb (27 Nm).
 7. Vuelva a colocar la cubierta de acceso y ajuste los (3) tornillos n.º 8 a 14 in-lb (1,58 Nm).

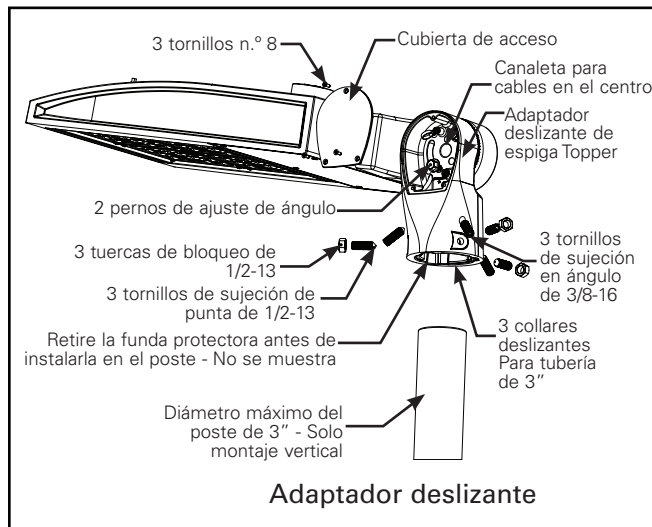


Figura 7.

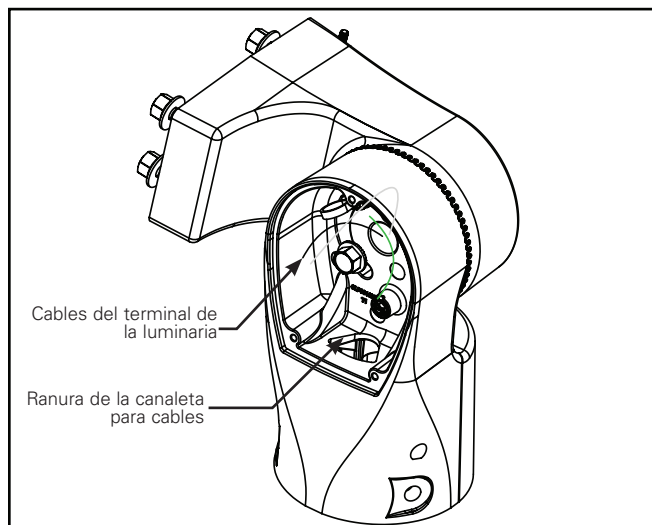


Figura 8.

Brazo de barrido hacia arriba (UP) (Fig. 9)

Herramientas necesarias:

- Llave de trinquete con cubo de 9/16" y 3/4"
- Destornillador de cabeza Phillips n.º 2

1. Retire la tapa superior del poste.
2. Afloje (1) tornillo n.º 8 para retirar la cubierta de acceso del brazo. Gire hacia abajo, deslizando la cubierta hacia atrás para que se suelte de las ranuras delanteras.
3. Instale y sostenga la placa de tuerca provista dentro del poste. Instale (1) sujetador de 1/2"-13 a través del adaptador, el poste y en la placa de tuerca, y ajústelo a mano. Inserte el sujetador inferior de 1/2"-13, manteniéndolo suelto para asegurar la alineación mientras aprieta el montaje superior. Ajuste el perno de la brida superior al soporte del brazo y al poste a 40 pies-lb (54 Nm.)
4. Retire el sujetador inferior de 1/2"-13 y coloque la luminaria sobre el soporte del adaptador. El brazo de montaje rápido encajará en la ranura del soporte del adaptador para asegurar la luminaria. Con la luminaria sostenida, vuelva a instalar los sujetadores inferiores de 1/2"-13 y ajústelos a mano.
5. Instale el sujetador de 3/8"-16 a través del soporte del brazo en el brazo. Ajuste a mano para asegurar la alineación, luego ajuste el perno de la brida inferior de 1/2"-13 a 40 pies-lb (54 Nm). Apriete el perno de la brida superior de 3/8"-16 a 20 pies-lb (27 Nm).
6. Pase los terminales de la luminaria a través de la abertura central de la placa de tuerca, el poste y el brazo, en la cavidad del brazo.
7. Conecte el cable de conexión a tierra del lado de la alimentación al conector del terminal de conexión a tierra (cables verdes).
8. Conecte el cable de voltaje de línea del lado de la alimentación al conector del terminal de voltaje de línea del lado de la luminaria (cables negros).
9. Conecte el cable neutro del lado de la alimentación al conector del terminal del cable neutro del lado de la luminaria (cables blancos).
10. Inserte la cubierta de acceso colocando las lengüetas en las ranuras del brazo delantero. Ajuste el (1) tornillo n.º 8 a 14 in-lb (1,58 Nm).
11. Vuelva a colocar la tapa superior del poste.

Instrucciones de instalación – Reflector y Area Site Galleon II

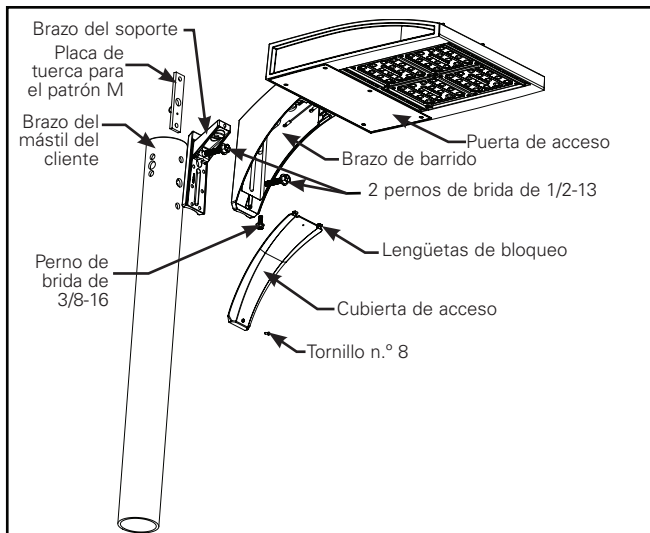


Figura 9.

Orientación del fotocontrol (si está provisto - Fig. 10)

Nota: Si su luminaria está provista de un receptáculo de fotocontrol, consulte el Suplemento de receptáculo de fotocontrol IB525002EN para identificar su fotocontrol y siga las instrucciones del diagrama y todas las notas aplicables.

Interruptor de doble nivel (si está provisto)

Para contar con un interruptor de doble nivel, los cables de entrada a la luminaria deberán etiquetarse por separado para indicar las preferencias de regulación según corresponda (definidas según los requisitos del pedido). Se deben conectar dos líneas de alimentación separadas de voltaje de línea, neutro y de conexión a tierra a los terminales de la luminaria para habilitar la función de interruptor de doble nivel de la luminaria.

Mantenimiento

Se debe seguir un cronograma de mantenimiento periódico para conservar la potencia de la luz y el rendimiento térmico óptimos. La limpieza de la lente óptica se debe realizar con un paño limpio y seco para eliminar el polvo u otros contaminantes. Se puede realizar una limpieza adicional con una solución de limpieza para acrílicos no abrasiva.

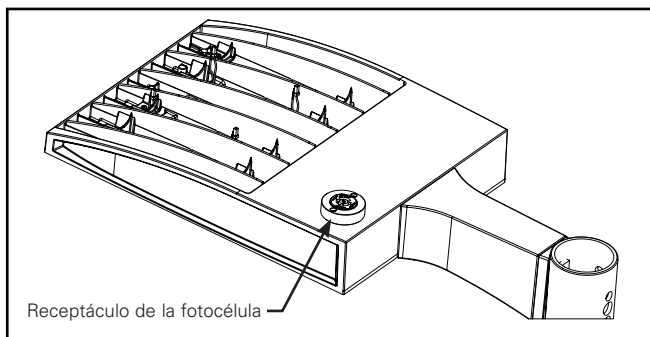


Figura 10.

FCC Statement

Note: This equipment has been tested and found to comply with the limits for a Class A digital device, pursuant to part 15 of the FCC Rules. These limits are designed to provide reasonable protection against harmful interference when the equipment is operated in a commercial environment. This equipment generates, uses, and can radiate radio frequency energy and, if not installed and used in accordance with the instruction manual, may cause harmful interference to radio communications. Operation of this equipment in a residential area is likely to cause harmful interference in which case the user will be required to correct the interference at his own expense.

Énoncé de la FCC

Note: Cet équipement a été mis à l'essai et déclaré conforme aux limites établies pour un dispositif numérique de catégorie A en vertu de l'article 15 des règlements de la FCC. Ces limites sont conçues pour assurer une protection raisonnable contre tout brouillage nuisible lorsque l'équipement fonctionne dans un environnement commercial. Cet équipement produit, utilise et peut émettre de l'énergie radioélectrique et, s'il n'est pas installé et utilisé conformément aux instructions, il peut créer des parasites nuisibles aux communications radio. L'utilisation de cet équipement dans une installation résidentielle est susceptible de provoquer des interférences nuisibles, auquel cas l'utilisateur devra corriger ces interférences à ses propres frais.

Declaración de FCC

Nota: Se ha probado este equipo y se ha determinado que cumple con los límites para un dispositivo digital de Clase A, de conformidad con la Sección 15 de las normas de la Comisión Federal de Comunicaciones (FCC, por sus siglas en inglés). Estos límites están diseñados para proporcionar una protección razonable contra interferencias perjudiciales cuando el equipo se opera en un entorno comercial. Este equipo genera, utiliza y puede emitir energía de radiofrecuencia y, si no se instala y utiliza de acuerdo con el manual de instrucciones, puede causar interferencias perjudiciales en las comunicaciones de radio. El funcionamiento de este equipo en un área residencial puede causar interferencias perjudiciales, en cuyo caso el usuario deberá corregir las interferencias por su cuenta.

Warranties and Limitation of Liability

Please refer to www.cooperlighting.com for our terms and conditions.

Garanties et limitation de responsabilité

Veuillez consulter le site www.cooperlighting.com pour obtenir les conditions générales.

Garantías y Limitación de Responsabilidad

Visite www.cooperlighting.com para conocer nuestros términos y condiciones.

Cooper Lighting Solutions
1121 Highway 74 South
Peachtree City, GA 30269
P: 770-486-4800
www.cooperlighting.com

Canada Sales
5925 McLaughlin Road
Mississauga, Ontario L5R 1B8
P: 905-501-3000
F: 905-501-3172

© 2021 Cooper Lighting Solutions
All Rights Reserved
Printed in USA
Imprimé aux États-Unis
Impreso en los EE. UU.
Publication No. IB500157EN
October 6, 2021

Cooper Lighting Solutions is a registered trademark. All trademarks are property of their respective owners.

Cooper Lighting Solutions est une marque de commerce déposée. Toutes les autres marques de commerce sont la propriété de leur propriétaire respectif.

Cooper Lighting Solutions es una marca comercial registrada. Todas las marcas comerciales son propiedad de sus respectivos propietarios.

Product availability, specifications, and compliances are subject to change without notice.

La disponibilité du produit, les spécifications et les conformités peuvent être modifiées sans préavis.

La disponibilidad de productos, las especificaciones y los cumplimientos están sujetos a cambio sin previo aviso.