

Sure-Lites

DESCRIPTION

The Sure-Lites Wet location Emergency Light (SELW) is designed to reduce total egress system cost and maintenance in a wet location environment as well as improve system reliability. Key features include long life LED's, proprietary rotatable accuLED optics and a nickel cadmium battery. The SELW is UL924 wet location code compliant listed with a standard 0 °C to 40 °C temperature rating. The SELW's easy hang feature reduces installation time and cost.

Catalog #		Type
Project		
Comments		Date
Prepared by		

SPECIFICATION FEATURES

Electrical

- Dual Voltage Input
120/277 VAC, 60Hz
- Brownout circuit
- Low voltage disconnect
- Overload / Short Circuit protection
- 4.8V Battery back-up
- 1.4W AccuLED optics

Environmental

- Outdoor rated
- SELW: 0 °C to 40 °C
(32 °F to 104 °F)

Housing Construction

- Components injection molded, color stable, high impact thermoplastic
- White, black, silver, or bronze textured finish
- Snap-fit construction to facilitate fast installation
- Suitable for wall mount applications
- Universal J-box mounting pattern
- Keyhole mounting slots
- Aesthetically designed with a thin profile
- Sealed and gasketed for Wet Location use

Battery

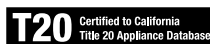
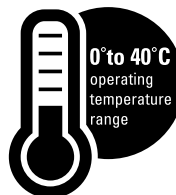
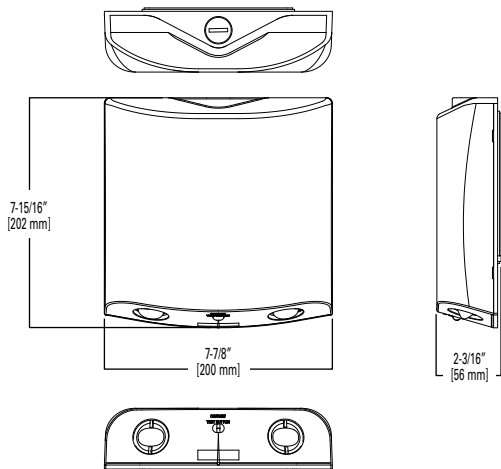
- Sealed Nickel Cadmium
- Full Recharge Time, 24 hours (max.)

Warranty

- Five-year warranty

Code Compliance

- UL924 Wet Location Listed
- Life Safety NFPA 101
- NEC/OSHA
- Most State & Local Codes
- California Energy Code



White



Black



Bronze



Silver

Emergency Light SELW

LED Emergency Light
Wet Location
AccuLED Optic

ORDERING INFORMATION

SAMPLE NUMBER: SELW25BZ

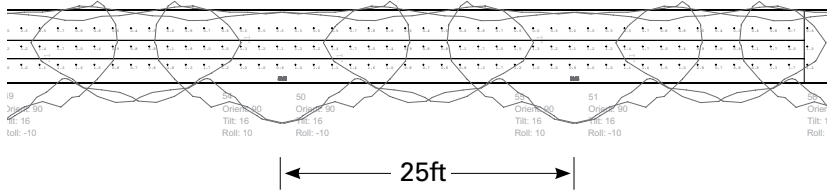
Series	Spacing	Battery	Color	Self Diagnostics	Catalog
SELW=Wet location	25=25 ft.	_ =NC	_ =Silver BZ=Bronze BK=Black WH=White	Not Available	SELW25 SELW25BZ SELW25BK SELW25WH

ELECTRICAL DATA

Model	120V			277V		
	Power (W)	Current (A)	PF	Power (W)	Current (A)	PF
SELW25	0.6	0.08	0.064	0.8	0.08	0.03

PHOTOMETRY

SELW25



X	Y	Z
0	0.33	7.5
0.33	0.33	7.5
24.33	0.324	7.5
48.33	0.317	7.5
72.33	0.311	7.5
96.33	0.305	7.5
24	0.323	7.5
48	0.316	7.5
72	0.309	7.5
96	0.302	7.5

***The “Rule of Thumb” spacing guidelines are designed to achieve 1 foot-candle average and 0.1 foot-candle minimum with a 40:1 maximum/minimum ratio. The corridor used is 100 feet long, 9 foot ceiling with a 6 foot wide walkway and 3 foot path of egress. The reflectances are 80% ceiling, 50% walls and 20% floors. The fixture mounting height is 7.5 feet. Cooper Lighting Solutions assumes no responsibility for local requirements or specific project variables. This is a guideline to be used as a design aid, not as guarantee of any code compliance.

TECHNICAL DATA

AccuLED Optics

The AccuLED precision engineered optics display sharp cutoffs and oval light pattern, which provide a clear path of egress per UL924 standards. The efficient optical design increases spacing distance between units, while providing evenly diffused light pattern throughout the egress path for both 1 foot candle average and 0.1 ft candle minimum. The lens swivel feature within the AccuLED optic provides the opportunity of forward-throw of egress lighting.

Mechanical Housing

All components are injection molded with a color stable, high impact thermoplastic resin. The surface is textured to improve aesthetic appearance. The housing construction is designed with snap-fit components and reinforcement ribs to provide maximum strength at minimum installation effort. The mounting hole pattern is universal to junction box requirements and is suitable for wall mount applications.

EZ Hang – Mounting Feature

The hands-free EZ Hang feature allows the installer to hang the emergency light face from the back plate in order to easily and efficiently make the power connections.

Low Voltage Disconnect

When the battery’s terminal voltage falls, the low-voltage circuitry disconnects the lighting load. The disconnect remains in effect until normal utility power is restored preventing deep battery discharge.

Brownout Circuit

The brownout circuit monitors the flow of AC current to the unit and activates the emergency light heads when a predetermined reduction of AC power occurs.

Warranty

The SELW series is backed by a five-year warranty on the fixtures and a seven-year pro-rata warranty on the NiCad batteries.