

Rapid Response

Metalux

HALO Commercial

Easy Ordering 
**Guaranteed
Performance**
 Quick Shipments




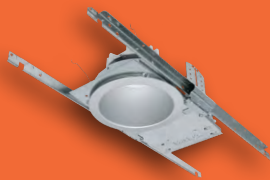

Faster, Quicker

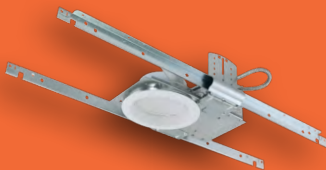

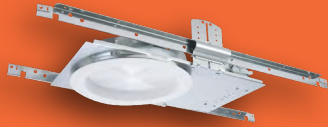
That's Rapid Response

Product Index

Click on product to go to page

Commercial	Commercial	Industrial	Industrial
Cruze ST	CZS Selectable Troffer	VHB	LHBS
			
Pg. 2	Pg. 2	Pg. 3	Pg. 3

Commercial	Commercial	Commercial
HC4	HC6	HC8
		
Pg. 4	Pg. 5	Pg. 6

Commercial	Commercial	Commercial
PR4	PR6	PR8
		
Pg. 7	Pg. 8	Pg. 9

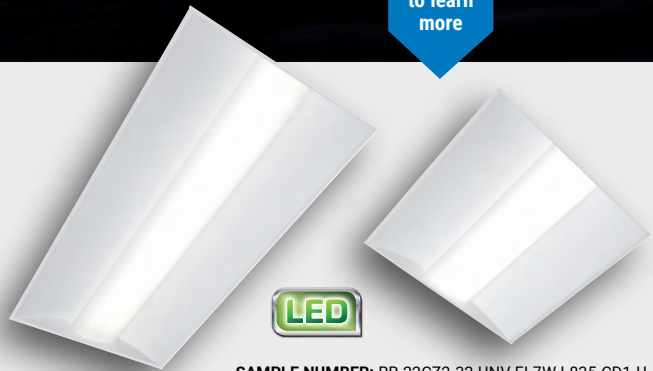
Easy Ordering 
Guaranteed Performance
 Quick Shipments

Rapid Response

Click on product to learn more

Cruze ST Series

- Advanced optical control married with contemporary styling
- High performance efficacy greater than 135 lumens per watt
- Standard 0-10V continuous dimming driver
- Shallow depth housing (3.25")
- Latchless design and matte white architectural paint for clean look
- cULus damp location / IC Rated / RoHS compliant / DLC Qualified



SAMPLE NUMBER: RR-22CZ2-32-UNV-EL7W-L835-CD1-U

RR Code	Rating	Series	LED Lumens Output	Shielding
RR=East Region BRR=West Region	[Blank]=Standard ATW-SW4=Chicago Rated	22CZ2=2' x 2' Cruze 24CZ2=2' x 4' Cruze	2' x 2' 32=3200 Lumens 39=3900 Lumens 2' x 4' 40=4000 Lumens 50=5000 Lumens	[Blank]=Ribbed Frosted Acrylic Lens (Standard) S=Smooth Frosted Acrylic Lens
Voltage ⁽¹⁾	CCT	Driver Type	Number of Drivers	Packaging
UNV=Universal Voltage 120-277	L835=3500K L840=4000K	CD=0-10V Dimming Driver (10% - 100% Dimming)	1=1 Driver	U=Unit Pack
Options		Accessories (order separately)		
Emergency EL7W=7-watt, 120V-277V emergency battery pack installed ⁽¹⁾ EL14W=14-watt 120V-277V emergency battery pack installed ⁽¹⁾		Flex A3/8-4/18G DIM=3/8" cable, 2-wire, ground, dimming leads A3/8-5/18G DIM=3/8" cable, 3-wire, ground, dimming leads Sensor WAA=WaveLinX Wireless Integrated Sensor ⁽⁶⁾ WAB=WaveLinX Lite Wireless Integrated Sensor ⁽⁷⁾		
		CZ2-EQCLIP-U-PK="CZ2" Earthquake Clip Kit (4 clips per bag kit) ⁽⁸⁾ DF-14W-U=1' x 4' Drywall Frame Kit DF-22W-U=2' x 2' Drywall Frame Kit DF-24W-U=2' x 4' Drywall Frame Kit SK-22-WS=2' x 2' Shallow Surface Mount Kit SK-24-WS=2' x 4' Shallow Surface Mount Kit SK-14-WT=1' x 4' Tall Surface Mount Kit SK-22-WT=2' x 2' Tall Surface Mount Kit SK-24-WT=2' x 4' Tall Surface Mount Kit		

NOTES: (1) With integral test switch/indicator/laser test. For approximate delivered lumens multiply the lumens per watt of the desired fixture by the wattage of the emergency battery pack (100 lm/W x 7=700 lumens). IES-format photometry for luminaire under emergency operation available. (2) Consult WaveLinX system for additional details and compatibility. (6) Consult WaveLinX system pages for additional details and compatibility. (7) WaveLinX Lite devices are not currently compatible with the WaveLinX Wireless Area Controller. Consult WaveLinX Lite system pages for additional details and compatibility. (8) An EQ Grid Clip is recommended for all 9/16" ceiling systems. Four required per fixture.

CZS Selectable Troffer

- Design friendly with (3) selectable color temperatures and (3) selectable lumen packages
- Latch-less design provides clean architectural look and feel
- Curved ribbed or smooth frosted lens options for an upgraded aesthetic look
- Up to 156 LPW for increased energy savings and reduced watts per square foot



SAMPLE NUMBER: RR-24CZSCT3-UNV-EL14W

RR Code	Rating	Series ⁽²⁾	Air	Shielding
RR=East Region BRR=West Region	[Blank]=Standard ATW-SW4= Chicago Rated ⁽¹⁾	22CZSCT3=2' x 2' Cruze ST Selectable 24CZSCT3=2' x 4' Cruze ST Selectable	[Blank]=Standard	[Blank]=Ribbed Frosted Acrylic Lens (standard) S=Smooth Frosted Acrylic Lens
Voltage	Options / Emergency	Flex ⁽⁴⁾	Driver Type	
UNV=Universal Voltage 120-277	[Blank]=Standard EL7W=7-watt 120V-277V emergency battery pack ⁽³⁾ EL14W=14-watt 120V-277V emergency battery pack ⁽³⁾	[Blank]=Standard Dimming Flex A3/8-4/18GDIM=Flex, hot, neutral, ground, 2 dimming leads A3/8-5/18GDIM=Flex, 2 hots, neutral, ground, 2 dimming leads	[Blank]=Standard (0-10V Driver, 10%-100%)	
Integrated Sensing Systems		Packaging	Accessories (order separately)	
[Blank]=No Sensor WAA=WaveLinX Wireless Integrated Sensor ⁽⁵⁾ WAB=WaveLinX Lite Wireless Integrated Sensor ⁽⁶⁾		[Blank]=Standard (Unit Pack)	CZ2-EQCLIP-U-PK="CZ2" Earthquake Clip Kit (4 clips per bag kit) ⁽⁷⁾ DF-14W-U=1' x 4' Drywall Frame Kit DF-22W-U=2' x 2' Drywall Frame Kit DF-24W-U=2' x 4' Drywall Frame Kit SK-22-WS=2' x 2' Shallow Surface Mount Kit SK-24-WS=2' x 4' Shallow Surface Mount Kit SK-14-WT=1' x 4' Tall Surface Mount Kit SK-22-WT=2' x 2' Tall Surface Mount Kit SK-24-WT=2' x 4' Tall Surface Mount Kit	

NOTES: (1) No sensor or installed FLEX options available with ATW-SW4 option. (2) **Selectable Lumens:** 2x2-30L/40L/50L, 2x4-40L/50L/65L. **Selectable Color:** 3000K/3500K/4000K. (3) Factory installed with integral test switch/indicator/laser test. For approximate delivered lumens multiply the lumens per watt of the desired fixture by the wattage of the emergency battery pack (100 lm/W x 7=700 lumens). IES-format photometry for luminaire under emergency operation available. Battery option increases total height by 1 inch. (4) Flex options available for 0-10V dimming control, emergency and night light functions. 72-inch factory-installed and pre-wired to driver, fitted to luminaire housing access plate with 90° enclosed FMC connector. Not all options may be combined and installation ratings vary by type. (5) Consult WaveLinX system pages for additional details and compatibility. (6) WaveLinX Lite devices are not currently compatible with the WaveLinX Wireless Area Controller. Consult WaveLinX Lite system pages for additional details and compatibility. (7) An EQ Grid Clip is recommended for all 9/16" ceiling systems. Four required per fixture.

VHB LED High Bay Series

- Compact, lightweight design for ease of installation
- High Impact Polycarbonate optical lens
- 3 lumen packages available (12,000, 18,000 and 24,000)
- High-Performance efficacy up to 133 lm/W
- Occupancy and daylight sensor for added savings
- Lumen Maintenance – L82 @ 60,000 hours
- Precision optics wide distribution
- 0-10V Dimming driver standard
- Up to 65% energy savings



SAMPLE NUMBER: RR-VHB-12-W-UNV-L840-CD1-MS-U

RR Code	Series ⁽¹⁰⁾	LED Lumen Output	Ambient	Distribution	Shielding	Voltage ⁽¹⁾	CCT
RR=East Region BRR=West Region	VHB=Valuable High Bay	12=12,000 Lumens 18=18,000 Lumens 24=24,000 Lumens 1215=Lumen Select 12000, 15000 ⁽¹⁷⁾ 1824=Lumen Select 18000, 24000 ⁽¹⁷⁾	[Blank]=Standard 45°C HA=High Ambient 50°C ⁽¹⁶⁾	W=Wide (General) N=Narrow (Aisle)	[Blank]=High Impact Polycarbonate Lens	UNV=Universal Voltage 120-277	L840=4000K L850=5000K Options Emergency EL20W-REM=20-watt, 120V-277V emergency battery pack remote mounted ⁽⁴⁾
Driver Type			Options			Packaging	
CD=0-10V Dimming Driver			Motion Sensors MS=360° or 180° Motion Sensor Installed, (specify voltage) ⁽⁶⁾ WLSA=WaveLinx Lite Wireless Integrated Sensor, 15'-40' Mounting Height ⁽¹⁵⁾ ZW-SWPD3=Integrated Wavelinx Wireless Sensor, 1200 sq. ft. coverage			U=Unit Pack	

NOTES: (1) Voltage must be specified when ordering accessory cord and plug. (2) Fixture cannot be surfaced mounted and must be a minimum of 18 inches below ceiling surface. (3) Single point mounting requires counterbalance weight which is included in the VHB-SPM kit. (4) EL20EM-REM requires remote mount only. (5) Wireguard option is field installable only. (6) When ordering MS option, specify as UNV (for 120 or 277V). (8) Rigid mount not for use in gymnasiums. (9) The accessory Loop Hanger shall be utilized only as a secondary safety and not the primary means of mounting. (10) DesignLights Consortium® Qualified and classified for DLC Standard, refer to www.designlights.org for details. (11) Must be used in conjunction with VHB-SPM accessory for proper attachment to fixture. (15) WaveLinx Lite devices are not currently compatible with the WaveLinx Pro Wireless Area Controller. (16) Emergency Battery Pack available up to 50° C Ambient only. (17) 18% lower lumen output when connected to wall controller for dimming.

LHBS Lensed High Bay Series

- Up to 36,000 lumen output at min 80 CRI
- (2) Lumen and CCT Select external switches with lock-out cover
- Standard diffused lens for added protection and glare control
- High performance efficacy up to 160 lm/W
- Efficient 1-for-1 replacement of linear fluorescent and HID fixtures
- Sensor and emergency options available



Includes (2) V Hangers and (2) 18" to 36" pieces of chain for rapid installation

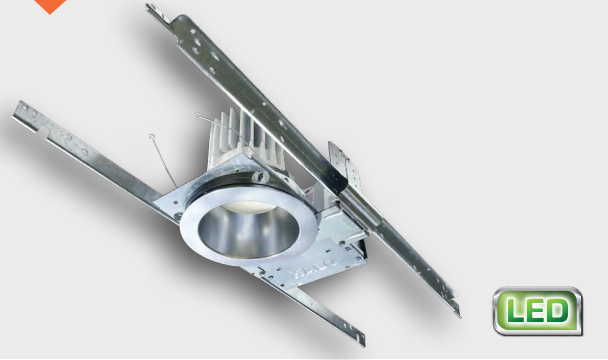
SAMPLE NUMBER: RR-LHBS-1218-UNV-L84050-U

RR Code	Series ⁽¹⁾	LED Lumen Output	Lens/Optic ⁽²⁾	Voltage	CCT	Driver Type	Options	Packaging
RR=East Region BRR=West Region	LHBS=Linear Lensed High Bay Selectable	1218=12K and 18K Select 1824=18K and 24K Select 2436=24K and 36K Select	[Blank]=Diffused Lens	UNV=Universal Voltage 120-277	L84050=4000K and 5000K CCT select	[Blank]=0-10V Dimming Driver	C6=6' cord, 18/3, white C12=12' cord, 18/3, white PC6/277=6' white cord, 18/3, with 277V, 15A NEMA twist-lock plug PC12/277=12' white cord, 18/3, with 277V, 15A NEMA twist-lock plug MS=Motion Sensor (360° or 180°), No Photocell OEFP010VMV=Occupancy Sensor with Integrated Photocell	U=Unit Pack

NOTES: (1) DesignLights Consortium® Qualified and classified for DLC Premium, refer to www.designlights.org for details.

HC4 LED 4" Downlight Series

- 4" aperture new construction/remodel downlights series
- Lumens: 1000, 1500, 2000, 3000, 4000
- Color: 2700K, 3000K, 3500K, 4000K, 5000K CCT, 80 or 90 CRI
- Distributions: Precision-formed reflectors in Narrow, Medium and Wide
- Wall wash distribution with exclusive rotatable linear spread lens
- Specular, Semi-Specular and White reflectors, Black or White baffles
- Universal Voltage 120V – 277V, 0-10V dimming down to 1%
- L70 at 60,000 hours (70% lumen maintenance at 60,000 hours)



SAMPLE NUMBER:

Rapid Response Emergency Housing: RR-HC420D010REM7

LED module and reflectors shown for reference only and are ordered separately.

Sample number for LED module and reflector ordered separately: Module: HM40525835 | Reflector: 41MDC

RR Code	Mounting Frame	Lumens	Input / Control	Emergency Options (Factory Installed) ⁽¹⁾	Accessories (Order Separately)
RR=East Region BRR=West Region	HC4 = 4" new construction and remodeler housing	10 = 1000 lumens (nominal) 15 = 1500 lumens (nominal) 20 = 2000 lumens (nominal) 30 = 3000 lumens (nominal) 40 = 4000 lumens (nominal)	D010=120-277VAC 50/60Hz 0-10V analog 1% - 100% dimming	REM7 = 7 watt emergency module with remote test / indicator light, use with D010 only REM14 = 14 watt emergency module with remote test / indicator light, use with D010 only IEM7 = integral 7 watt emergency module with integral test / indicator light, use with D010 only IEM14 = integral 14 watt emergency module with integral test / indicator light, use with D010 only BOD7ST = 7.5 watt Bodine self-test diagnostic emergency module with remote test / indicator light, use with D010 only	HB128APK = L channel hanger bar, 26", pair (replacement) ⁽²⁾ RMB22 = Adjustable wood joist mounting bars, pair, extend to 22" long ⁽²⁾

LED Module	Lumens	CRI/CCT
HM4 = 4" LED module	12=1000, 1500 and 2000 lumens (nominal), use with HC410*, HC415*, HC420* housings 34=3000 and 4000 lumens (nominal), use with HC430*, HC440* housings	827 = 80 CRI (min), 2700K CCT 830 = 80 CRI (min), 3000K CCT 835 = 80 CRI (min), 3500K CCT 840 = 80 CRI (min), 4000K CCT 927 = 90 CRI (min), 2700K CCT 930 = 90 CRI (min), 3000K CCT 935 = 90 CRI (min), 3500K CCT 940 = 90 CRI (min), 4000K CCT

Reflector ⁽³⁾	Distribution ⁽⁴⁾	Finish	Flange	Accessories (Order Separately)
41 = 4" conical reflector	ND = narrow 50° beam angle 0.84 SC (nominal) MD = medium 60° beam angle 1.00 SC (nominal) WD = wide 75° beam angle 1.24 SC (nominal) RWW = rotatable wall wash with linear spread lens	C = Specular clear H = Semi-specular clear W = White	Blank = Polished flange standard with C & H reflectors Blank = White flange standard with W reflector WF = White flange option available with C & H reflectors	41RWWPK = rotatable wall wash insert for 4" reflector –replacement part kit

Baffle ⁽³⁾	Distribution ⁽⁴⁾	Finish	Flange	Accessories (Order Separately)
41 = 4" baffle reflector	WD = wide 75° beam angle 1.24 SC (nominal) RWW = rotatable wall wash with linear spread lens	BB = Black baffle WB = White baffle	Blank = White flange standard with BB, & WB BF = Black flange option available with BB	41RWWPK = rotatable wall wash insert for 4" reflector –replacement part kit

IEM Reflector ⁽³⁾	Distribution ⁽⁴⁾	Finish	Flange	Integral Emergency
41 = 4" conical reflector for integral emergency only	ND = narrow 50° beam angle 0.84 SC (nominal) MD = medium 60° beam angle 1.00 SC (nominal) WD = wide 75° beam angle 1.24 SC (nominal)	C = Specular clear H = Semi-specular clear W = White	Blank = Polished flange standard with C & H reflectors Blank = White flange standard with W reflector WF = White flange option available with C & H reflectors	IEM = Reflector for integral emergency only

IEM Baffle ⁽³⁾	Distribution ⁽⁴⁾	Finish	Flange	Integral Emergency
41 = 4" baffle reflector for integral emergency only	WD = wide 75° beam angle 1.24 SC (nominal)	BB = Black baffle WB = White baffle	Blank = White flange standard with BB, & WB BF = Black flange option with BB	IEM = Reflector for integral emergency only

Reflector ⁽³⁾	Distribution ⁽⁴⁾	Finish	Flange
41PS = 4" non-conductive polymer 'dead front' conical reflector ⁴	MD = medium 60° beam angle 1.00 SC (nominal)	W = White	Blank = White flange standard with W reflector

NOTES: (1) Emergency battery backup options are Non-IC only, and rated for a minimum starting temperature of 0°C. (2) Use with HC4 New Construction housings. (3) Use with HC4 New Construction only. (4) Values are nominal for white reflector, others may vary.

HC6 LED 6" Downlight Series

- 6" aperture new construction/remodel downlights series
- Lumens: 1000, 1500, 2000, 3000, 4000
- Color: 2700K, 3000K, 3500K, 4000K, 5000K CCT, 80 or 90 CRI
- Distributions: Precision-formed reflectors in Narrow, Medium and Wide
- Wall wash distribution with exclusive rotatable linear spread lens
- Specular, Semi-Specular and White reflectors, Black or White baffles
- Universal Voltage 120V – 277V, 0-10V dimming down to 1%
- L70 at 60,000 hours (70% lumen maintenance at 60,000 hours)



SAMPLE NUMBER:

Rapid Response Emergency Housing: RR-HC620D010REM7

LED module and reflectors shown for reference only and are ordered separately.

Sample number for LED module and reflector ordered separately: Module: HM60525835 | Reflector: 61MDC

RR Code	Mounting Frame	Lumens	Input / Control	Emergency Options (Factory Installed) ⁽¹⁾	Accessories (Order Separately)
RR=East Region BRR=West Region	HC6 = 6" new construction and remodeler housing	10 = 1000 lumens (nominal) 15 = 1500 lumens (nominal) 20 = 2000 lumens (nominal) 30 = 3000 lumens (nominal) 40 = 4000 lumens (nominal)	D010=120-277VAC 50/60Hz 0-10V analog 1% - 100% dimming	REM7 = 7 watt emergency module with remote test / indicator light, use with D010 only REM14 = 14 watt emergency module with remote test / indicator light, use with D010 only IEM7 = integral 7 watt emergency module with integral test / indicator light, use with D010 only IEM14 = integral 14 watt emergency module with integral test / indicator light, use with D010 only BOD7ST = 7.5 watt Bodine self-test diagnostic emergency module with remote test / indicator light, use with D010 only	HB128APK = L channel hanger bar, 26", pair (replacement) ⁽²⁾ RMB22 = Adjustable wood joist mounting bars, pair, extend to 22" long ⁽²⁾

LED Module	Lumens	CRI/CCT
HM6 = 6" LED module	12=1000, 1500 and 2000 lumens (nominal), use with HC610*, HC615*, HC620* housings 34=3000 and 4000 lumens (nominal), use with HC630*, HC640* housings	827 = 80 CRI (min), 2700K CCT 830 = 80 CRI (min), 3000K CCT 835 = 80 CRI (min), 3500K CCT 840 = 80 CRI (min), 4000K CCT

Reflector ⁽³⁾	Distribution ⁽⁴⁾	Finish	Flange	Accessories (Order Separately)
61 = 6" conical reflector	ND = narrow 55° beam angle 0.97 SC MD = medium 60° beam angle 1.10 SC WD = wide 65° beam angle 1.28 SC RWW = rotatable wall wash with linear spread lens	C = Specular clear H = Semi-specular clear W = White	Blank = Polished flange standard with C & H reflectors Blank = White flange standard with W reflector WF = White flange option available with C & H reflectors	61RWWPK = rotatable wall wash insert for 6" reflector -replacement part kit

Baffle ⁽³⁾	Distribution ⁽⁴⁾	Finish	Flange	Accessories (Order Separately)
61 = 6" baffle reflector	WD = wide 65° beam angle 1.28 SC (nominal) RWW = rotatable wall wash with linear spread lens	BB = Black baffle WB = White baffle	Blank = White flange standard with BB, & WB BF = Black flange option available with BB	61RWWPK = rotatable wall wash insert for 6" reflector -replacement part kit

IEM Reflector ⁽³⁾	Distribution ⁽⁴⁾	Finish	Flange	Integral Emergency
61 = 6" conical reflector for integral emergency only	ND = narrow 55° beam angle 0.97 SC MD = medium 60° beam angle 1.10 SC WD = wide 65° beam angle 1.28 SC	C = Specular clear H = Semi-specular clear W = White	Blank = Polished flange standard with C & H reflectors Blank = White flange standard with W reflector WF = White flange option available with C & H reflectors	IEM = Reflector for integral emergency only

IEM Baffle ⁽³⁾	Distribution ⁽⁴⁾	Finish	Flange	Integral Emergency
61 = 6" baffle reflector for integral emergency only	WD = wide 65° beam angle 1.28 SC (nominal)	BB = Black baffle WB = White baffle	Blank = White flange standard with BB, & WB BF = Black flange option with BB	IEM = Reflector for integral emergency only

Reflector ⁽³⁾	Distribution ⁽⁴⁾	Finish	Flange
61PS = 6" non-conductive polymer 'dead front' conical reflector ⁽⁵⁾	MD = medium 60° beam angle 1.00 SC (nominal)	W = White	Blank = White flange standard with W reflector

NOTES: (1) Emergency battery backup options are Non-IC only, and rated for a minimum starting temperature of 0°C. (2) Use with HC6 New Construction housings. (3) For use with HC6 new construction frame only. (4) Values are nominal for white reflector, others may vary. (5) 61PS reflector is for Non-IC environment only, and up to 3000 lumens only.

HC8 LED 8" Downlight Series

- 8" aperture new construction/remodel downlights series
- Lumens: 1500, 2000, 3000, 4000, 6000, 8000
- Color: 2700K, 3000K, 3500K, 4000K, 5000K CCT, 80 or 90 CRI
- Distributions: Precision-formed reflectors in Narrow, Medium and Wide
- Wall wash distribution with exclusive rotatable linear spread lens
- Specular, Semi-Specular and White reflectors, Black or White baffles
- Universal Voltage 120V – 277V, 0-10V dimming down to 1%
- L70 at 60,000 hours (70% lumen maintenance at 60,000 hours)



SAMPLE NUMBER:

Rapid Response Emergency Housing: RR-HC820D010REM7

LED module and reflectors shown for reference only and are ordered separately.

Sample number for LED module and reflector ordered separately: Module: HM80520835 | Reflector: 81MDC

RR Code	Mounting Frame	Lumens	Input / Control	Emergency Options (Factory Installed) ⁽²⁾	Accessories (Order Separately)
RR=East Region BRR=West Region	HC8 = 8" new construction and remodeler housing	15 = 1500 lumens 20 = 2000 lumens 30 = 3000 lumens 40 = 4000 lumens 60 = 6000 lumens ⁽¹⁾ 80 = 8000 lumens ⁽¹⁾	D010=120-277VAC 50/60Hz 0-10V analog 1% - 100% dimming	REM7 = 7 watt emergency module with remote test / indicator light, use with D010 only REM14 = 14 watt emergency module with remote test / indicator light, use with D010 only IEM7 = integral 7 watt emergency module with integral test / indicator light, use with D010 only IEM14 = integral 14 watt emergency module with integral test / indicator light, use with D010 only BOD7ST = 7.5 watt Bodine self-test diagnostic emergency module with remote test / indicator light, use with D010 only	HB128APK = L channel hanger bar, 26", pair (replacement) ⁽³⁾ RMB22 = Adjustable wood joist mounting bars, pair, extend to 22" long ⁽³⁾

LED Module	Lumens	CRI/CCT
HM8 = 8" LED module	1520 = 1500, 2000 lumens 3040 = 3000, 4000 lumens 6080 = 6000, 8000 lumens	827 = 80 CRI (min), 2700K CCT 830 = 80 CRI (min), 3000K CCT 835 = 80 CRI (min), 3500K CCT 840 = 80 CRI (min), 4000K CCT 927 = 90 CRI (min), 2700K CCT 930 = 90 CRI (min), 3000K CCT 935 = 90 CRI (min), 3500K CCT 940 = 90 CRI (min), 4000K CCT

Reflector	Distribution ⁽⁵⁾	Finish	Flange	Accessories (Order Separately)
81 = 8" conical reflector	ND = narrow reflector 13° beam angle, 0.24 SC MD = medium reflector 37° beam angle, 0.60 SC WD = wide reflector 71° beam angle, 1.08 SC RWW = rotatable wall wash with linear spread lens	C = Specular clear H = Semi-specular clear W = White	Blank = Polished flange standard with C & H reflectors Blank = White flange standard with W reflector WF = White flange option available with C & H reflectors	81RWWPK = rotatable wall wash insert for 8" reflector –replacement part kit

Baffle	Distribution ⁽⁵⁾	Finish	Flange	Accessories (Order Separately)
81 = 8" baffle reflector	WD = wide baffle 71° beam angle, 1.08 SC RWW = rotatable wall wash with linear spread lens (wide beam baffle with lens wall wash)	BB = Black baffle WB = White baffle	Blank = White flange standard with BB, & WB BF = Black flange option available with BB	81RWWPK = rotatable wall wash insert for 8" reflector –replacement part kit

IEM Reflector ⁽⁴⁾	Distribution ⁽⁵⁾	Finish	Flange	Integral Emergency
81IEM = 8" conical reflector for integral emergency only	ND = narrow reflector 13° beam angle, 0.24 SC MD = medium reflector 37° beam angle, 0.60 SC WD = wide reflector 71° beam angle, 1.08 SC RWW = rotatable wall wash with linear spread lens	C = Specular clear H = Semi-specular clear W = White	Blank = Polished flange standard with C & H reflectors Blank = White flange standard with W reflector WF = White flange option available with C & H reflectors	IEM = Reflector for integral emergency only

IEM Baffle ⁽⁴⁾	Distribution ⁽⁵⁾	Finish	Flange	Integral Emergency
81IEM = 8" baffle reflector for integral emergency only	WD = wide baffle 71° beam angle, 1.08 SC	BB = Black baffle WB = White baffle	Blank = White flange standard with BB, & WB BF = Black flange option with BB	IEM = Reflector for integral emergency only

Reflector	Distribution ⁽⁵⁾	Finish	Flange
81PS = 8" non-conductive polymer 'dead front' conical reflector ⁽⁶⁾	MD = medium reflector 37° beam angle, 0.60 SC	W = White	Blank = White flange standard with W reflector

NOTES: (1) Marked Spacing: Center to Center of Adjacent Luminaires = 36" / Center of Luminaire to Building Member = 18" / Minimum overhead = 0.5" (2) Emergency battery backup options are Non-IC only, and rated for a minimum starting temperature of 0°C. (3) Use with HC8 New Construction housings. (4) For use with HC8 new construction frame only. (5) Values are nominal for white reflector, others may vary. (6) 81PS reflector is for Non-IC environment only, and up to 4000 lumens only.

PR4 LED 4" SeleCCTable™ Downlight Series

- 4" aperture new construction/remodel downlights
- Choose from 2 self-flanged lensed modules: Low Lumen or High Lumen
- Selectable lumens: 1,000/1,500/2,000 (low) or 2,000/3,000/4,000 (high)
- 3 selectable color temperatures: 3000K, 3500K and 4000K, CRI: 80 or 90
- Distributions: Exclusive Medium / Wide beam reversible "flip" lens
- Wall wash accessory kit option
- Colors: Matte White, Matte Metallic Silver, Dark Bronze paint finishes
- Universal Voltage 120V – 277V, 0-10V dimming down to 1%
- L70 at 50,000 hours (70% lumen maintenance at 50,000 hours)



SAMPLE NUMBER:

Rapid Response Emergency Housing: RR-PR4FS24D010REM7

LED module shown for reference only and are ordered separately.

Sample number for LED module ordered separately: Module: PR4M

RR Code	Mounting Frame	Lumens	Input / Control	Emergency Options (Factory Installed) ⁽⁴⁾	Accessories (Order Separately)
RR=East Region BRR=West Region	PR4 = 4" aperture new construction / remodeler housing frame	Field Selectable ⁽²⁾ FS12 = field selectable 1000, 1500 and 2000 lumens (nominal), use with PR4M12* LED modules only ⁽⁴⁾ FS24 = field selectable 2000, 3000 and 4000 lumens (nominal), use with PR4M24* LED modules only ⁽⁴⁾	D010=120-277VAC 50/60Hz 0-10V analog 1% - 100% dimming	REM7 = 7 watt emergency module with remote test / indicator light, use with D010 only REM14 = 14 watt emergency module with remote test / indicator light, use with D010 only BOD7ST = 7.5 watt Bodine self-test diagnostic emergency module with remote test / indicator light, use with D010 only	HB128APK = L channel hanger bar, 26", pair (replacement) ⁽⁵⁾ RMB22 = Adjustable wood joist mounting bars, pair, extend to 22" long ⁽⁵⁾

LED Module	Lumen Range	Distribution	CRI / CCT	Finish	Accessories (Order Separately)
PR4M = 4" lens aperture, LED trim/module with self-flanged shallow reflector. For use with PR4 series housing frames, retrofit frames, and surface cylinders	12 = Field selectable 1000, 1500 and 2000 lumens (nominal). Factory pre-set for 2000 lumens. Use with PR4FS12* mounting frames only. 24 = Field selectable 2000, 3000 and 4000 lumens (nominal). Factory pre-set for 4000 lumens. Use with PR4FS24* mounting frames only.	MD = medium / wide beam reversible "flip" lens. Factory set for medium. Tool-less twist-to-lock flip changes from medium to wide distribution. Medium distribution (70°, 1.01 SC) Wide distribution (107°, 1.61 SC)	Field Selectable 8FS = 80 CRI (minimum) with field selectable 3000K, 3500K and 4000K CCT (nominal). Factory pre-set for 3500K. 9FS = 90 CRI (minimum) with field selectable 3000K, 3500K and 4000K CCT (nominal). Factory pre-set for 3500K. Discrete (fixed) Factory Set 827 = 80 CRI (minimum) 2700K 927 = 90 CRI (minimum) 2700K 850 = 80 CRI (minimum) 5000K 950 = 90 CRI (minimum) 5000K	MW = matte white ring/ self-flanged reflector MMS = matte metallic silver ring/self-flanged reflector BZ = bronze ring/self-flanged reflector	PR4WW = 4" wall wash optic, field installed PR4MDWD = 4" reversible medium / wide distribution - replacement lens OT450P = Oversize metal retrofit ring with 5.5" ID opening, 8" OD flange, matte white finish

NOTES: (2) FS12 factory preset 2000 lumens in PR4M12 LED module. FS24 factory preset 4000 lumens in PR4M24 LED module. (4) Emergency battery backup options are Non-IC only, and rated for a minimum starting temperature of 0°C.

PR6 LED 6" SeleCCTable™ Downlight Series

- 6" aperture new construction/remodel downlights
- Choose from 2 self-flanged lensed modules: Low Lumen or High Lumen
- Selectable lumens: 1,000/1,500/2,000 (low) or 2,000/3,000/4,000 (high)
- 3 selectable color temperatures: 3000K, 3500K and 4000K, CRI: 80 or 90
- Distributions: Medium and Wide interchangeable lens options (included)
- Wall wash accessory kit option
- Colors: Matte White, Matte Metallic Silver, Dark Bronze paint finishes
- Universal Voltage 120V – 277V, 0-10V dimming down to 1%
- L70 at 50,000 hours (70% lumen maintenance at 50,000 hours)



SAMPLE NUMBER:

Rapid Response Emergency Housing: RR-PR6FS24D010REM7

LED module shown for reference only and are ordered separately.

Sample number for LED module ordered separately: Module: PR6M

RR Code	Mounting Frame	Lumens	Input / Control	Emergency Options (Factory Installed) ⁽¹⁾	Accessories (Order Separately)
RR=East Region BRR=West Region	PR6 = 6" aperture new construction / remodeler housing frame	Field Selectable ⁽¹⁾ FS12 = field selectable 1000, 1500 and 2000 lumens (nominal), use with PR6M12* LED modules only FS24 = field selectable 2000, 3000 and 4000 lumens (nominal), use with PR6M24* LED modules only	D010=120-277VAC 50/60Hz 0-10V analog 1% - 100% dimming	REM7 = 7 watt emergency module with remote test / indicator light, use with D010 only REM14 = 14 watt emergency module with remote test / indicator light, use with D010 only BOD7ST = 7.5 watt Bodine self-test diagnostic emergency module with remote test / indicator light, use with D010 only	HB128APK = L channel hanger bar, 26", pair (replacement) ⁽⁴⁾ RMB22 = Adjustable wood joist mounting bars, pair, extend to 22" long ⁽⁴⁾ HL6RSMF = 6" aperture new construction mounting frame with integral wood & T-grid bar hangers, adjust for 8" to 24" wide ⁽⁵⁾

LED Module	Lumen Range	Distribution	CRI / CCT	Finish	Accessories (Order Separately)
PR6M = 6" aperture LED module and self-flanged reflector	12 = Field selectable 1000, 1500 and 2000 lumens (nominal). Factory pre-set for 2000 lumens. Use with PR6FS12* mounting frames only. 24 = Field selectable 2000, 3000 and 4000 lumens (nominal). Factory pre-set for 4000 lumens. Use with PR6FS24* mounting frames only.	MD = Medium distribution lens - factory installed (60°, 1.2 SC) Included: Wide distribution lens – field interchangeable option (65°, 1.3 SC)	Field Selectable 8FS = 80 CRI (minimum) with field selectable 3000K, 3500K and 4000K CCT (nominal). Factory pre-set for 3500K. 9FS = 90 CRI (minimum) with field selectable 3000K, 3500K and 4000K CCT (nominal). Factory pre-set for 3500K. Discrete (fixed) Factory Set 827 = 80 CRI (minimum) 2700K 927 = 90 CRI (minimum) 2700K 850 = 80 CRI (minimum) 5000K 950 = 90 CRI (minimum) 5000K	MW = matte white ring/ self-flanged reflector MMS = matte metallic silver ring/self-flanged reflector BZ = bronze ring/self-flanged reflector	PR6WW = 6" wall wash optic, field installed OT400P = Oversize matte white trim ring 5-7/8" ID opening, 9-1/2" OD flange. Use when retrofitting up to 7-5/8" ceiling cutout of an existing housing.

NOTES: (1) FS12 factory preset 2000 lumens in PR6M12 LED module. FS24 factory preset 4000 lumens in PR6M24 LED module. (3) Emergency battery backup options are Non-IC only, and rated for a minimum starting temperature of 0°C. (4) For use with PR6 New Construction housings.

PR8 LED 8" SeleCCTable™ Downlight Series

- 8" aperture new construction/remodel downlights
- Choose from 2 shallow lensed modules: Low Lumen or High Lumen
- Lumens: 1,000, 1,500, 2,000, 3,000, 4,000 options, ordered separately
- 3 selectable color temperatures: 3000K, 3500K and 4000K, CRI: 80
- Distributions: Medium and Wide interchangeable lens options
- Colors: Matte White, Matte Black and Matte Metallic Silver finishes
- Universal Voltage 120V – 277V, 0-10V dimming down to 1%



SAMPLE NUMBER:

Rapid Response Emergency Housing: RR-PR840D010REM7

LED module shown for reference only and are ordered separately.

Sample number for LED module ordered separately: Module: PR8M

RR Code	Mounting Frame	Lumens	Input / Control	Emergency Options (Factory Installed) ⁽¹⁾	Accessories (Order Separately)
RR=East Region BRR=West Region	PR8 = 8" aperture new construction / remodeler housing frame	10 = 1,000 lumens (nominal) 15 = 1,500 lumens (nominal) 20 = 2,000 lumens (nominal) 30 = 3,000 lumens (nominal) 40 = 4,000 lumens (nominal)	D010=120-277VAC 50/60Hz 0-10V analog 1% - 100% dimming	REM7 = 7 watt emergency module with remote test / indicator light, use with D010 only REM14 = 14 watt emergency module with remote test / indicator light, use with D010 only BOD7ST = 7.5 watt Bodine self-test diagnostic emergency module with remote test / indicator light, use with D010 only	HB128APK = L channel hanger bar, 26", pair (replacement) ⁽²⁾ RMB22 = Adjustable wood joist mounting bars, pair, extend to 22" long ⁽²⁾ ABR10P = Oversize trim ring for max 10" ceiling opening - 11.3" flange

LED Module	Shielding	Flange Finish	Accessories (Order Separately)
PR8M12 = Downlight LED module for PR8 series, provides 1000, 1500 or 2000 lumens (nominal depending on connected frame type) PR8M34 = Downlight LED module for PR8 series, provides 3000 or 4000 lumens (nominal) depending on connected frame type	MD = Medium distribution plastic lens WD = Wide distribution plastic lens	MW = Matte White MB = Matte Black MMS = Matte Metallic Silver	PR8WW = Field Installed wall wash optic for PR8M12 and PR834 modules PR8MD = Replacement 8" medium distribution lens for PR8M12 and PR8M34 modules PR8WD = Replacement 8" wide distribution lens for PR8M12 and PR8M34 modules

NOTES: (1) Emergency battery backup options are Non-IC only, and rated for a minimum starting temperature of 0°C. (2) For use with PR8 New Construction housings.

Lighting Brands

Ametrix
AtLite
Corelite
Ephesus
Fail-Safe
HALO
HALO Commercial
Invue
iO
Iris
Lumark
Lumière
McGraw-Edison
Metalux
MWS
Neo-Ray
Portfolio
PrentaLux - 3D Printed Lighting
RSA
Shaper
Streetworks
Sure-Lites
Telensa

Controls Brands

Greengate
Fifth Light
Intelligent Lighting Controls

**Connected Lighting Systems
and Smart Spaces Platform**

WaveLinx



Cooper Lighting Solutions
1121 Highway 74 South
Peachtree City, GA 30269
P: 770-486-4800
www.cooperlighting.com

Canada Sales
5925 McLaughlin Road
Mississauga, Ontario L5R 1B8
P: 905-501-3000
F: 905-501-3172

© 2023 Cooper Lighting Solutions
All Rights Reserved
Printed in USA
Publication No. BR519016EN
July 11, 2023 10:58 AM

Cooper Lighting Solutions is a registered trademark.

All other trademarks are property of their respective owners.

Product availability, specifications, and compliances are subject to change without notice.