

Project		Catalog #		Type	
Prepared by		Notes		Date	



Greengate

GMT – Momentary Toggle Switches

A system accessory for the Greengate Lighting Control System

Typical Applications

Office • Education • Healthcare • Hospitality • Retail • Industrial • Manufacturing

Interactive Menu

- Order Information [page 2](#)
- Additional Resources [page 2](#)
- Wiring Diagrams [page 2](#)
- Product Warranty

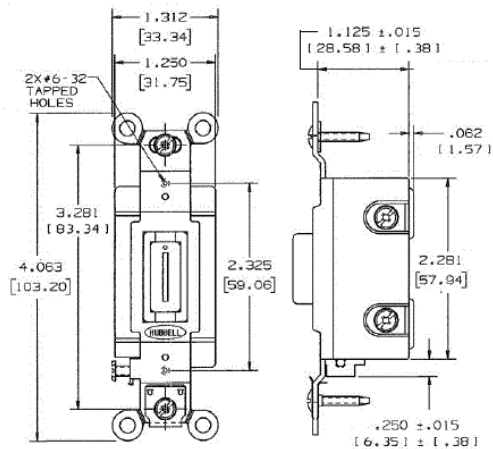
Product Certification



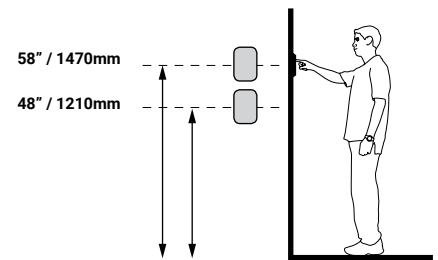
Top Product Features

- Quiet, single pole, double-throw momentary operation
- Momentary contact switches establish circuit contact in either up or down “closed” positions; center position “open”
- 0.050” (1.27mm) thick steel mounting strap zinc-plated for corrosion resistance
- Combination slot/Phillips head mounting and terminal screws ease installation
- Optional key operated model
- Fits conventional toggle switch openings and standard switch plate openings
- Recommended for most low voltage switching applications

Dimensional and Mounting Details



Scale or Mounting Height



[additional product diagrams](#)

Order Information

This is an accessory for the Greengate Lighting Control Systems. It is not an integral part of the systems.

Catalog Number

Catalog Number	Description	Ratings	Color
GMT-*	3 position Momentary Switch, up or down "closed", center "open"	24 VAC/VDC	W=White, V=Ivory, G=Gray
GMTL-N	3 position Momentary Locking Switch, up or down "closed", center "open"	24 VAC/VDC	N=Black

Notes

There is no factory assembly needed. Wallplates not included. Refer to Screwless Wallplate spec sheet for ordering information.

Product Specifications

Key Features

- The Momentary Toggle Switch is a line voltage switch used as a low voltage contact closure switch used with Greengate lighting control panels
- When toggled up the switch momentarily makes a contact closure to the lighting control panel, sending an "ON" signal and when toggled down the switch momentarily makes a contact closure to the lighting control panel, sending an "OFF" signal
- These switches have 0.050" (1.27mm) zinc-plated thick steel mounting straps for corrosion resistance and the combination slot/Phillips head mounting and terminal screws make for ease of installation

Mechanical

Size: 2.31"H x 1.00"W x 1.31"D (58.7mm x 25.4mm x 33.3mm)

Mounting: Fits conventional toggle switch openings

Electrical

Switch Type: Momentary Contact

Recommended for most low voltage switching applications

Standards/Ratings

- UL Listed

Warning

- This product is not intended to be used in applications involving the use of ammonia-based or VOC cleaners.
- Use of ammonia-based or VOC cleaners on this device must be avoided. Prolonged use may cause loss of integrity and expose electrified components. If this occurs, turn OFF power to the unit and replace.
- For detailed cleaning guidelines please refer to: Controls Care and Maintenance instructions at the end of this document.

Warranty

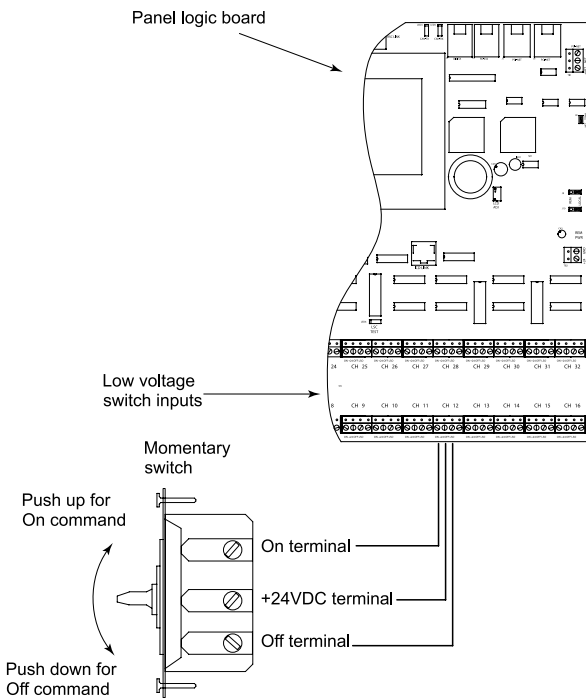
Consult website for warranty information

Installation

This system accessory will require wall mounting and wiring at the site.

Wiring Diagrams

- GMT-*, 24 VAC/VDC; Momentary single pole, double-throw with center position rest
- GMTL-N, 24 VAC/VDC; Momentary Locking single pole, doublethrow with center position rest



Control Systems
• Greengate



Cooper Lighting Solutions has developed recommended guidelines for cleaning our products that will not impact the operation or finish of the product.

Recommended cleaning tips:

- **Never spray any fluids directly into the device.**
- **Use of ammonia-based or VOC cleaners on this device must be avoided.** Prolonged use may cause loss of integrity and expose electrified components. If this occurs, turn OFF power to the unit and replace.
- **Use a damp rag or single-use wipe** to avoid excess liquid penetrating the device.
- Be sure to wipe up remaining excess liquid after cleaning.
- Ensure the cleaning agent used does not have harsh chemicals such as bleach, ammonia, highly alkaline or concentrated acids (such as hydrochloric acid that can be found in household cleaners such as toilet bowl cleaners, bathroom tile and porcelain cleaners) as they could damage the device, causing them to become brittle and discolored.
- Cooper Lighting Solutions recommends the use of a mild liquid detergent and water to clean the devices. Single use wipes (e.g. Lysol brand or equivalent) are acceptable to use for cleaning the devices, however the single-use wipes **cannot contain bleach, ammonia, highly alkaline or concentrated acids.**

Recommended cleaning instructions:

- **Never spray any fluids directly into the device.**
- Apply the mild liquid detergent to a damp cloth or paper towel. Single use wipes (e.g. Lysol brand or equivalent) are acceptable to use for cleaning the devices, however single-use wipes cannot contain bleach, ammonia, highly alkaline or concentrated acids.
- If excess liquid is present, remove by wringing out the cloth or paper towel to avoid liquid penetration into the device.
- Clean the Cooper Lighting Solutions device by wiping over the surface with the damp cloth.
- Remove an excess liquid remaining on the device with a dry cloth or paper towel.

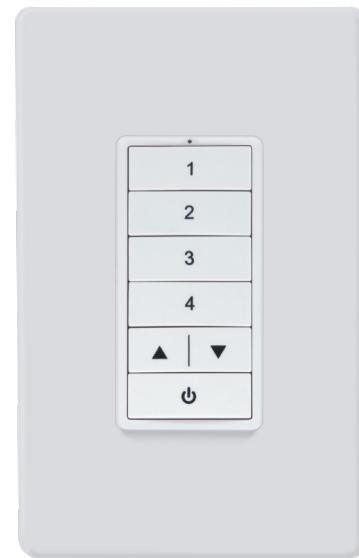


image for reference only

⚠ WARNING

This product is not intended for use in applications involving the use of ammonia-based or VOC cleaners.

Prolonged use may cause loss of integrity and expose electrified components.

If this occurs, turn OFF power to the unit and replace.