



# HALO Commercial

HCC4, HCC6, HCC8  
Downlight Cylinders

# HCC

## Downlight Cylinders

Halo Commercial offers HCC4, HCC6, HCC8 LED cylinders in 4-inch, 6-inch, 8-inch apertures with selection of matte white, matte black, silver and bronze painted finishes. Cylinder installation options include surface, pendant, aircraft cable and wall mounting. The cylinder series accommodates a variety of commercial applications that include healthcare, hospitality, educational and commercial office spaces.





Cylinder



LED Module



Reflector

The HCC Cylinder series offers narrow, medium, wide beam self-flanged reflectors and LED modules that match the HC4, HC6 and HC8 downlight series in reflector finishes, LED color metrics and photometric performance for a coordinated lighting design.

### Cylinder Finish Options



**MW**  
Matte White



**MB**  
Matte Black



**SL**  
Silver



**BZ**  
Bronze

### Reflector Finish Options



**C**  
Specular Clear



**H**  
Semi-specular Haze



**W**  
White



**WB**  
White Baffle



**BB**  
Black Baffle



**WF**  
White Flange (for C & H)



**BBBF**  
Black Baffle with Black Flange

### Mounting Options



Wall



Surface  
Pendant  
Aircraft Cable

### Pendant Accessories



36" Pendant Kit

SP\* Special lengths available  
(made to order - see ordering information)

#### Finishes:

**MW** Matte White

**MB** Matte Black

**SL** Silver

**BZ** Bronze

### Aircraft Cable Accessories



48" White or Black power cord

120" White or Black power cord

# HCC4

## 4-inch Cylinder

4-inch round LED surface mount cylinder provides narrow, medium or wide distribution patterns for general area lighting. Cylinder designed for ceiling mount, wall mount, pendant mount or aircraft cable mount. Lumen options range from 500 to 4000 lumens in color temperatures of 2700K, 3000K, 3500K, 4000K and 5000K in 80 or 90 CRI.



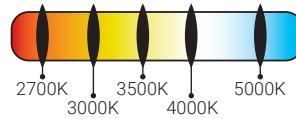
**HM4 Low Lumen LED Module**  
Lumens  
500 | 750 | 1000 | 1500 | 2000 | 2500



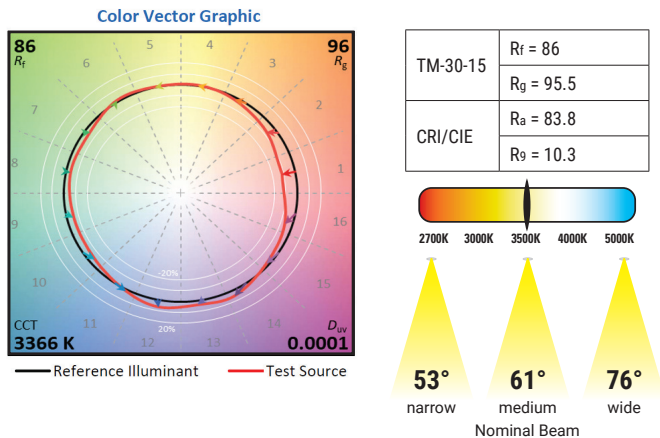
**HM4 Mid Lumen LED Module**  
Lumens  
3000 | 3500 | 4000

### Color temperature

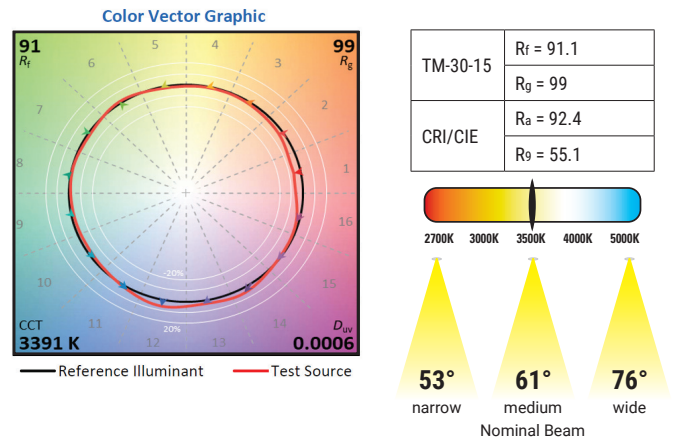
The HC4 LED modules are available in a discrete selection of correlated color temperatures (CCT). The user can choose color temperatures 2700K, 3000K, 3500K, 4000K and 5000K in 80 or 90 CRI.



### 80 CRI Color Metric Summary - 3500K\*



### 90 CRI Color Metric Summary - 3500K\*



# Order Information

**Sample Number:** HCC4S20D010MW - HM40525930 - 41MDC

A complete luminaire consists of a cylinder, LED module and reflector (order separately)

Cylinder	Lumens (nominal)		Input / Control	Finish
<b>HCC4S</b> = 4" Surface Mount Cylinder for ceiling, cable, or pendant mounting <b>HCC4W</b> = 4" Wall Mount Cylinder	<b>05</b> = 500 lm <b>07</b> = 750 lm <b>10</b> = 1000 lm <b>15</b> = 1500 lm <b>20</b> = 2000 lm	<b>25</b> = 2500 lm <b>30</b> = 3000 lm <b>35</b> = 3500 lm <b>40</b> = 4000 lm	<b>D010</b> = UNV 120-277V, 50/60Hz, 0-10V 1%-100% dimming at 120-277V on 0-10V controls  <b>Canada option 500-4000 lumens</b> <b>D010347</b> = 347VAC 50/60Hz 0-10V 1%-100% dimming For 500, 750, 1000, 1500, 2000, 2500, 3000, 3500, 4000lm models only	<b>MW</b> = matte white <b>MB</b> = matte black <b>BZ</b> = bronze <b>SL</b> = silver

Accessories	Option
<b>Pendant Kit</b> <sup>(1)</sup> <b>HCC8P36MW</b> = Matte White pendant stem kit <b>HCC8P36MB</b> = Matte black pendant stem kit <b>HCC8P36BZ</b> = Bronze pendant stem kit <b>HCC8P36SL</b> = Silver pendant stem kit	<b>Blank</b> = 36" <b>SP*</b> = * specify 6 to 144 in 1" increments
<b>Aircraft Cable Kit</b> <sup>(1)(2)</sup> <b>HCAC120MW</b> = 120" white power cable & aircraft cable kit <b>HCAC48MW</b> = 48" white power cable & aircraft cable kit <b>HCAC120MB</b> = 120" black power cable & aircraft cable kit <b>HCAC48MB</b> = 48" black power cable & aircraft cable kit	<b>Blank</b> = 5 conductor cable (power & 0-10V dimming)

LED Module	Lumens (nominal)	CRI / CCT (minimum)	
<b>HM4</b> = 4" module	<b>0525</b> = 500 - 2500 lumen <b>3040</b> = 3000-4000 lumen	<b>827</b> = 80CRI, 2700K <b>830</b> = 80CRI, 3000K <b>835</b> = 80CRI, 3500K <b>840</b> = 80CRI, 4000K <b>850</b> = 80CRI, 5000K	<b>927</b> = 90CRI, 2700K <b>930</b> = 90CRI, 3000K <b>935</b> = 90CRI, 3500K <b>940</b> = 90CRI, 4000K <b>950</b> = 90CRI, 5000K

Reflector	Distribution <sup>(3)</sup>	Finish	Flange	Accessories
<b>41</b> = 4" self-flanged, conical reflector	<b>ND</b> = narrow reflector 53° beam angle, 0.84 SC <b>MD</b> = medium reflector 61° beam angle, 1.00 SC <b>WD</b> = wide reflector 76° beam angle, 1.24 SC <b>RWW</b> = rotatable wall wash with linear spread lens	<b>C</b> = Specular clear <b>H</b> = Semi-specular clear <b>W</b> = White (white flange)	<b>Blank</b> = Polished flange standard with C & H reflectors <b>Blank</b> = White flange standard with W reflector <b>WF</b> = White flange option available with C & H reflectors	<b>41RWWPK</b> = Rotatable wall wash replacement kit (for 41RWW reflector only)
<b>41</b> = 4" self-flanged, baffle reflector	<b>WD</b> = wide baffle 76° beam angle, 1.24 SC <b>RWW</b> = rotatable wall wash with linear spread lens (wide beam baffle with lens wall wash insert)	<b>BB</b> = Black baffle <b>WB</b> = White baffle	<b>Blank</b> = White flange standard with BB & WB <b>BF</b> = Black Flange option with BB	

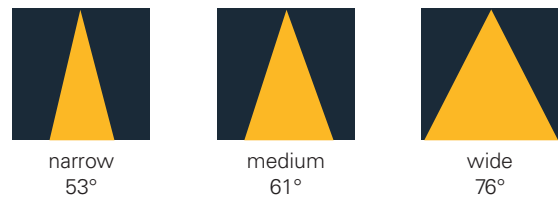
**Notes:** (1) Pendant and Aircraft Cable mounting accessories for use with surface cylinders. (2) Aircraft cable kit finish options: white or black cable & canopy plate, and stainless steel aircraft cable. (3) Values are nominal, based on specular clear reflector, other may vary. Additional factors include CRI/CCT, reflector finish, and lumen selected.

**UL Certification:** • Surface and wall mount cylinder is UL Certified (US and Canada) for wet location with protected ceiling and IP65 rated (wet location and IP65 not applicable to wall wash which is damp location)  
• Pendant and aircraft cable mount cylinders are UL Certified (US and Canada) for damp location

## Self-flanged Reflectors



### Beam distribution options\*



Beam Distribution*			
Code	Distribution	Spacing Criteria	Beam Angle
ND	Narrow	0.84	53°
MD	Medium	1.0	61°
WD	Wide	1.2	76°

\* Nominal values may vary depending on selected CRI/CCT and reflector finish.

# HCC6

## 6-inch Cylinder

6-inch round LED surface mount cylinder provides narrow, medium or wide distribution patterns for general area lighting. Cylinder designed for ceiling mount, wall mount, pendant mount or aircraft cable mount. Lumen options range from 500 to 5000 lumens in color temperatures of 2700K, 3000K, 3500K, 4000K and 5000K in 80 or 90 CRI.



**HM6 Low Lumen LED Module**

Lumens  
500 | 750 | 1000 | 1500 | 2000 | 2500



**HM6 Mid Lumen LED Module**

Lumens  
3000 | 3500 | 4000

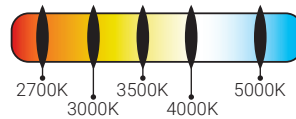


**HM6 High Lumen LED Module**

Lumens  
4500 | 5000

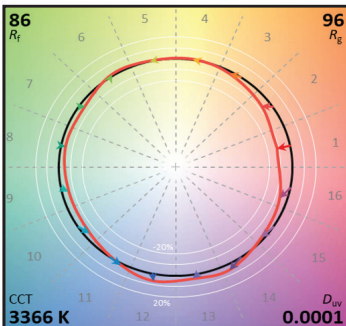
### Color temperature

The HC6 LED modules are available in a discrete selection of correlated color temperatures (CCT). The user can choose color temperatures 2700K, 3000K, 3500K, 4000K and 5000K in 80 or 90 CRI.

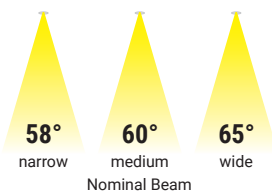
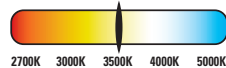


### 80 CRI Color Metric Summary - 3500K\*

Color Vector Graphic

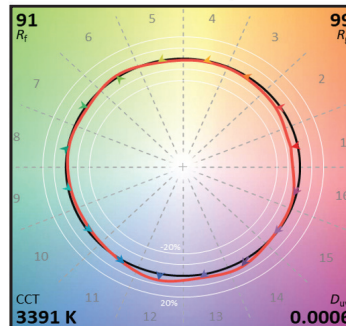


TM-30-15	R <sub>f</sub> = 86
	R <sub>g</sub> = 95.5
CRI/CIE	R <sub>a</sub> = 83.8
	R <sub>9</sub> = 10.3

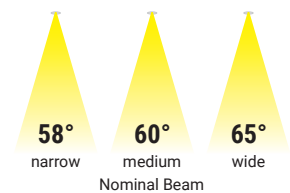
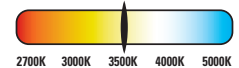


### 90 CRI Color Metric Summary - 3500K\*

Color Vector Graphic



TM-30-15	R <sub>f</sub> = 91.1
	R <sub>g</sub> = 99
CRI/CIE	R <sub>a</sub> = 92.4
	R <sub>9</sub> = 55.1



# Order Information

**Sample Number:** HCC6S20D010MW - HM6C0525835 - 61MDC  
 A complete luminaire consists of a cylinder, LED module and reflector (order separately)

Cylinder	Lumens (nominal)		Input / Control	Finish
<b>HCC6S</b> = 6" Surface Mount Cylinder for ceiling, cable, or pendant mounting <b>HCC6W</b> = 6" Wall Mount Cylinder	<b>05</b> = 500 lm <b>07</b> = 750 lm <b>10</b> = 1000 lm <b>15</b> = 1500 lm <b>20</b> = 2000 lm <b>25</b> = 2500 lm	<b>30</b> = 3000 lm <b>35</b> = 3500 lm <b>40</b> = 4000 lm <b>45</b> = 4500 lm <b>50</b> = 5000 lm	<b>D010</b> =UNV 120-277V, 50/60Hz, 0-10V 1%-100% dimming at 120-277V on 0-10V controls  <b>Canada Option 500-5000 lumens:</b> <b>D010347</b> = 347VAC 50/60Hz 0-10V 1%-100% dimming. For 500, 750, 1000, 1500, 2000, 2500, 3000, 3500, 4000, 4500, 5000lm models only	<b>MW</b> = matte white <b>MB</b> = matte black <b>BZ</b> = bronze <b>SL</b> = silver

Accessories	Option
<b>Pendant Kit</b> <sup>(1)</sup> <b>HCC8P36MW</b> = Matte White pendant stem kit <b>HCC8P36MB</b> = Matte black pendant stem kit <b>HCC8P36BZ</b> = Bronze pendant stem kit <b>HCC8P36SL</b> = Silver pendant stem kit	<b>Blank</b> = 36" <b>SP*</b> = * specify 6 to 144 in 1" increments
<b>Aircraft Cable Kit</b> <sup>(1)(2)</sup> <b>HCAC120MW</b> = 120" white power cable & aircraft cable kit <b>HCAC48MW</b> = 48" white power cable & aircraft cable kit <b>HCAC120MB</b> = 120" black power cable & aircraft cable kit <b>HCAC48MB</b> = 48" black power cable & aircraft cable kit	<b>Blank</b> = 5 conductor cable (power & 0-10V dimming)

LED Module	Lumens (nominal)	CRI / CCT (minimum)	
<b>HM6C</b> = 6" LED Modules For use with HCC6 cylinders only	<b>0525</b> = 500 - 2500 lumen <b>3040</b> = 3000-4000 lumen <b>4550</b> = 4500-5000 lumen	<b>827</b> = 80CRI, 2700K <b>830</b> = 80CRI, 3000K <b>835</b> = 80CRI, 3500K <b>840</b> = 80CRI, 4000K <b>850</b> = 80CRI, 5000K	<b>927</b> = 90CRI, 2700K <b>930</b> = 90CRI, 3000K <b>935</b> = 90CRI, 3500K <b>940</b> = 90CRI, 4000K <b>950</b> = 90CRI, 5000K

Reflector	Distribution <sup>(3)</sup>	Finish	Flange	Accessories
<b>61</b> = 6" self-flanged, conical reflector	<b>ND</b> = narrow reflector 58° beam angle, 0.97 SC <b>MD</b> = medium reflector 60° beam angle, 1.10 SC <b>WD</b> = wide reflector 65° beam angle, 1.28 SC <b>RWW</b> = rotatable wall wash with linear spread lens	<b>C</b> = Specular clear <b>H</b> = Semi-specular clear <b>W</b> = White (white flange)	<b>Blank</b> = Polished flange standard with C & H reflectors <b>Blank</b> = White flange standard with W reflector <b>WF</b> = White flange option available with C & H reflectors	<b>61RWWPK</b> = Rotatable wall wash replacement kit (for 61RWW reflector only)
<b>61</b> = 6" self-flanged, baffle reflector	<b>WD</b> = wide baffle 65° beam angle, 1.28 SC <b>RWW</b> = rotatable wall wash with linear spread lens (wide beam baffle with lens wall wash insert)	<b>BB</b> = Black baffle <b>WB</b> = White baffle	<b>Blank</b> = White flange standard with BB & WB <b>BF</b> = Black Flange option with BB	

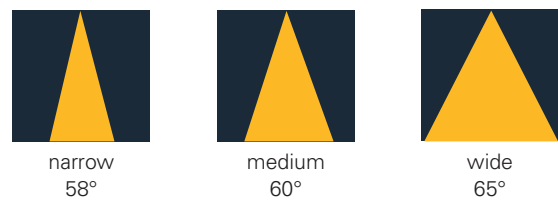
**Notes:** (1) Pendant and Aircraft Cable mounting accessories for use with surface cylinders. (2) Aircraft cable kit finish options: white or black cable & canopy plate, and stainless steel aircraft cable. (3) Values are nominal, based on specular clear reflector, other may vary. Additional factors include CRI/CCT, reflector finish, and lumen selected.

**UL Certification:** • Surface and wall mount cylinder is UL Certified (US and Canada) for wet location with protected ceiling and IP65 rated (wet location and IP65 not applicable to wall wash which is damp location)  
 • Pendant and aircraft cable mount cylinders are UL Certified (US and Canada) for damp location

## Self-flanged Reflectors



### Beam distribution options\*



Beam Distribution*			
Code	Distribution	Spacing Criteria	Beam Angle
ND	Narrow	0.97	58°
MD	Medium	1.10	60°
WD	Wide	1.28	65°

\* Nominal values may vary depending on selected CRI/CCT and reflector finish.

# HCC8

## 8-inch Cylinder

8-inch round LED surface mount cylinder provides narrow, medium or wide distribution patterns for general area lighting. Cylinder designed for ceiling mount, wall mount, pendant mount or aircraft cable mount. Lumen options range from 500 to 8000 lumens in color temperatures of 2700K, 3000K, 3500K, 4000K and 5000K in 80 or 90 CRI.



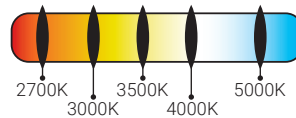
**HM8 Low Lumen LED Module**  
500 to 2000 lumens

**HM8 Mid Lumen LED Module**  
2500 to 5500 lumens

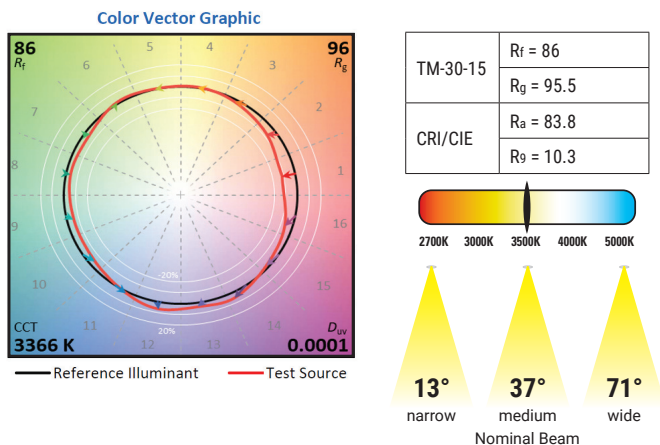
**HM8 High Lumen LED Module**  
6000 and 8000 lumens

### Color temperature

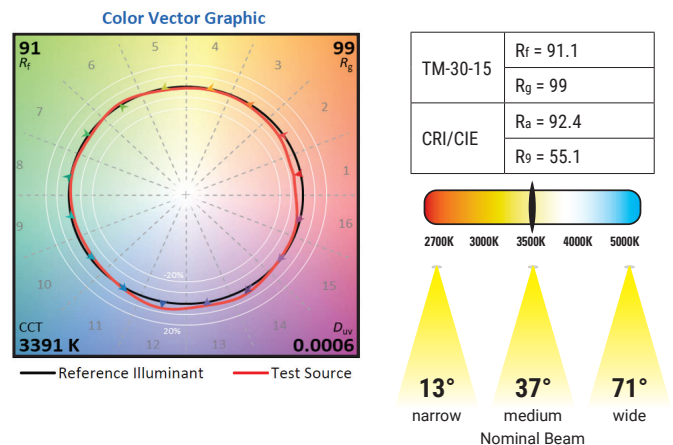
The HCC8 LED modules are available in a discrete selection of correlated color temperatures (CCT). The user can choose color temperatures 2700K, 3000K, 3500K, 4000K and 5000K in 80 or 90 CRI.



### 80 CRI Color Metric Summary - 3500K\*



### 90 CRI Color Metric Summary - 3500K\*





# Order Information

**Sample Number:** HCC8S20D010MW - HM80520835 - 81MDC

A complete luminaire consists of a cylinder, LED module and reflector (order separately)

Cylinder	Lumens (nominal)		Input / Control	Finish
<b>HCC8S</b> = 8" Surface Mount Cylinder for ceiling, cable, or pendant mounting <b>HCC8W</b> = 8" Wall Mount Cylinder	<b>05</b> = 500 lm <b>07</b> = 750 lm <b>10</b> = 1000 lm <b>15</b> = 1500 lm <b>20</b> = 2000 lm <b>25</b> = 2500 lm <b>30</b> = 3000 lm	<b>35</b> = 3500 lm <b>40</b> = 4000 lm <b>45</b> = 4500 lm <b>50</b> = 5000 lm <b>55</b> = 5500 lm <b>60</b> = 6000 lm <b>80</b> = 8000 lm	<b>D010</b> =UNV 120-277V, 50/60Hz, 0-10V 1%-100% dimming at 120-277V on 0-10V controls  <b>Canada Option 500-5000 lumens:</b> <b>D010347</b> = 347VAC 50/60Hz 0-10V 1%-100% dimming For 500, 750, 1000, 1500, 2000, 2500, 3000, 3500, 4000, 4500, 5000lm models only	<b>MW</b> = Matte White <b>MB</b> = Matte Black <b>BZ</b> = Bronze <b>SL</b> = Silver

Accessories	Option
<b>Pendant Kit</b> <sup>(1)</sup> <b>HCC8P36MW</b> = Matte White pendant stem kit <b>HCC8P36MB</b> = Matte black pendant stem kit <b>HCC8P36BZ</b> = Bronze pendant stem kit <b>HCC8P36SL</b> = Silver pendant stem kit	<b>Blank</b> = 36" <b>SP*</b> = * specify 6 to 144 in 1" increments
<b>Aircraft Cable Kit</b> <sup>(1)(2)</sup> <b>HCAC120MW</b> = 120" white power cable & aircraft cable kit <b>HCAC48MW</b> = 48" white power cable & aircraft cable kit <b>HCAC120MB</b> = 120" black power cable & aircraft cable kit <b>HCAC48MB</b> = 48" black power cable & aircraft cable kit	<b>Blank</b> = 5 conductor for use with 0-10V driver

LED Module	Lumens (nominal)	CRI / CCT	
<b>HM8</b> = 8" module	<b>1520</b> = 1500, 2000 lumens <b>3040</b> = 3000, 4000 lumens <b>6080</b> = 6000, 8000 lumens	<b>827</b> = 80 CRI (minimum), 2700K CCT <b>830</b> = 80 CRI (minimum), 3000K CCT <b>835</b> = 80 CRI (minimum), 3500K CCT <b>840</b> = 80 CRI (minimum), 4000K CCT	<b>927</b> = 90 CRI, 2700K CCT <b>930</b> = 90 CRI, 3000K CCT <b>935</b> = 90 CRI, 3500K CCT <b>940</b> = 90 CRI, 4000K CCT

Reflector	Distribution <sup>(3)</sup>	Finish	Flange	Accessories
<b>81</b> = 8" self-flanged, conical reflector	<b>ND</b> = narrow reflector 13° beam angle, 0.24 SC <b>MD</b> = medium reflector 37° beam angle, 0.60 SC <b>WD</b> = wide reflector 71° beam angle, 1.08 SC <b>RWW</b> = rotatable wall wash with linear spread lens	<b>C</b> = Specular clear <b>H</b> = Semi-specular clear <b>W</b> = White (white flange)	<b>Blank</b> = Polished flange standard with C & H reflectors <b>Blank</b> = White flange standard with W reflector <b>WF</b> = White flange option available with C & H reflectors	<b>81RWWPK</b> = Rotatable wall wash replacement kit (for 81RWW reflector only)
<b>81</b> = 8" self-flanged, baffle reflector	<b>WD</b> = wide baffle 71° beam angle, 1.08 SC <b>RWW</b> = rotatable wall wash with linear spread lens (wide beam baffle with lens wall wash insert)	<b>BB</b> = Black baffle <b>WB</b> = White baffle	<b>Blank</b> = White flange standard with BB & WB <b>BF</b> = Black Flange option with BB	

**Notes:** (1) Pendant and Aircraft Cable mounting accessories for use with surface cylinders. (2) Aircraft cable kit finish options: white or black cable & canopy plate, and stainless steel aircraft cable (3) Values are nominal, based on specular clear reflector, other may vary. Additional factors include CRI/CCT, reflector finish, and lumen selected.

**UL Certification:** • Surface and wall mount cylinder is UL Certified (US and Canada) for wet location with protected ceiling and IP65 rated (wet location and IP65 not applicable to wall wash which is damp location)  
• Pendant and aircraft cable mount cylinders are UL Certified (US and Canada) for damp location

## Reflectors



Specular Clear



Semi-Specular (Haze)



White



White Baffle



Black Baffle



Black Baffle with Black Flange



Wall Wash



White Flange option (for specular clear & semi-specular haze)

### Beam distribution options\*



narrow  
13°



medium  
37°



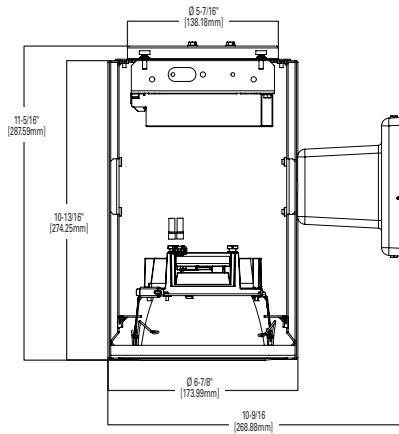
wide  
71°

Beam Distribution*			
Code	Distribution	Spacing Criteria	Beam Angle
ND	Narrow	0.24	13°
MD	Medium	0.60	37°
WD	Wide	1.08	71°

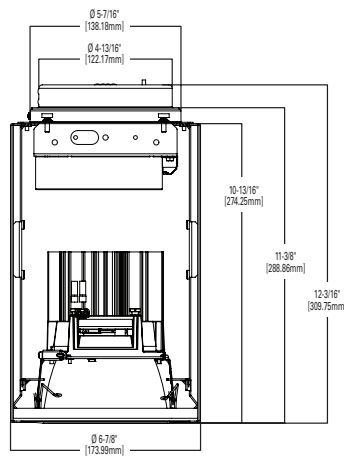
\* Nominal values may vary depending on selected CRI/CCT and reflector finish.

## HCC4 LED Cylinder

WALL MOUNT

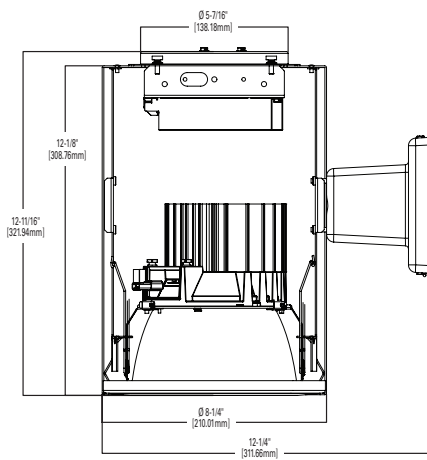


SURFACE MOUNT

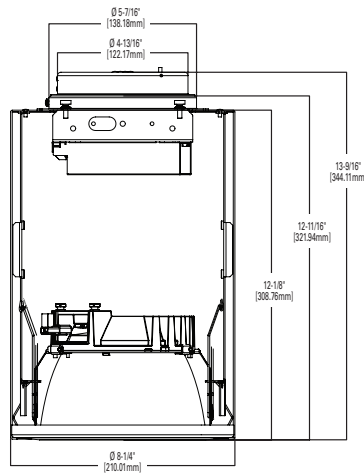


## HCC6 LED Cylinder

WALL MOUNT

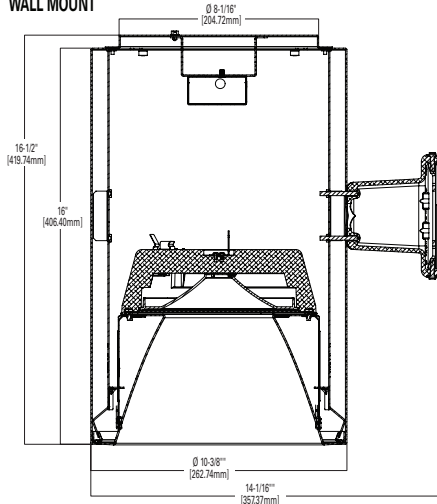


SURFACE MOUNT

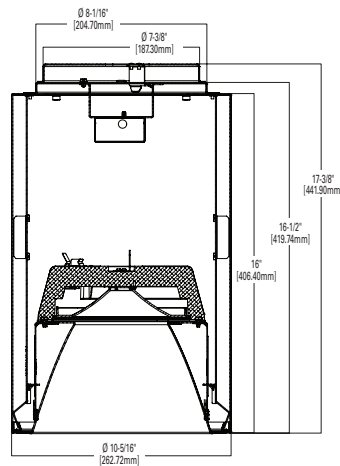


## HCC8 LED Cylinder

WALL MOUNT



SURFACE MOUNT



## Energy Data

**HCC4:** 500 - 4000 lumens

**HCC6:** 500 - 5000 lumens

**HCC8:** 500 - 8000 lumens

Series	500 lumen		750 lumen		1000 lumen		1500 lumen		2000 lumen	
	120V	277V	120V	277V	120V	277V	120V	277V	120V	277V
Input Voltage 120-277VAC	120V	277V	120V	277V	120V	277V	120V	277V	120V	277V
Input Current (A)	0.051	0.026	0.067	0.036	0.083	0.039	0.119	0.053	0.171	0.077
Input Power (W)	6.1	6.5	7.9	8.3	10	10.4	14.5	14.5	20.9	20.6
In-rush (A)	1.9	8.4	2	8.4	2.2	8.5	2.7	8.5	2.1	9.7
Inrush duration (µs)	251	135	237	133	250	134	250	139	245	131
THD (%)	6.2	13.5	7.4	8.8	5.4	10.3	10	6.7	6.5	7.9
PF	≥ 0.99	≥ 0.9	≥ 0.98	≥ 0.92	≥ 0.99	≥ 0.95	≥ 0.99	≥ 0.97	≥ 0.99	≥ 0.96

Series	2500 lumen		3000 lumen		3500 lumen		4000 lumen		4500 lumen	
	120V	277V	120V	277V	120V	277V	120V	277V	120V	277V
Input Voltage 120-277VAC	120V	277V	120V	277V	120V	277V	120V	277V	120V	277V
Input Current (A)	0.2	0.088	0.24	0.107	0.292	0.152	0.351	0.159	0.384	0.172
Input Power (W)	23.9	23.8	28.6	28.5	34.6	35.1	42.1	42.1	45.9	45.6
In-rush (A)	2.1	9.9	2.5	11.6	3.4	13.9	3.1	14.7	3.1	14.8
Inrush duration (µs)	244	137	216	111	183	95	200	98	202	100
THD (%)	8.7	6.7	7.8	8.3	5.6	10	4.1	9.5	4.5	8.5
PF	≥ 0.99	≥ 0.96	≥ 0.99	≥ 0.96	≥ 0.99	≥ 0.93	≥ 0.99	≥ 0.94	≥ 0.99	≥ 0.95

Series	5000 lumen		5500 lumen		6000 lumen		8000 lumen	
	120V	277V	120V	277V	120V	277V	120V	277V
Input Voltage 120-277VAC	120V	277V	120V	277V	120V	277V	120V	277V
Input Current (A)	0.419	0.186	0.457	0.201	0.489	0.214	0.61	0.29
Input Power (W)	50.1	49.5	54.6	53.7	58.4	57.4	72.5	72.9
In-rush (A)	3.1	15	3.2	14.8	3.4	14.8	6.8	12.9
Inrush duration (µs)	202	117	196	131	192	121	119	109
THD (%)	5.5	7.6	7	7.2	8.1	7.2	10.1	18.6
PF	≥ 0.99	≥ 0.96	≥ 0.99	≥ 0.96	≥ 0.99	≥ 0.97	≥ 0.98	≥ 0.91

Minimum starting temperature -30°C (-22°F)  
(Nominal input 120-277VAC & 100% of rated output power)

Sound Rating: Class A standards

### Lighting Product Lines

Ametrix  
AtLite  
Corelite  
Ephesus  
Fail-Safe  
HALO  
HALO Commercial  
Invue  
io  
IRiS  
Lumark  
Lumière  
McGraw-Edison  
Metalux  
MWS  
Neo-Ray  
Portfolio  
RSA  
Shaper  
Streetworks  
Sure-Lites

### Controls Product Lines

Greengate

### Connected Lighting Systems

Fifth Light (Canada Only)  
HALO Home  
WaveLinX

### IoT Platform

Trellix



**Cooper Lighting Solutions**  
1121 Highway 74 South  
Peachtree City, GA 30269  
P: 770-486-4800  
[www.cooperlighting.com](http://www.cooperlighting.com)

**Canada Sales**  
5925 McLaughlin Road  
Mississauga, Ontario L5R 1B8  
P: 905-501-3000  
F: 905-501-3172

© 2022 Cooper Lighting Solutions  
All Rights Reserved  
Printed in USA  
Publication No. BR51728522  
April 6, 2022 1:37 PM



All other trademarks are property of their respective owners.

Product availability, specifications, and compliances are subject to change without notice.