

## Installation Instructions – Define Patient Grid

**IMPORTANT:** Read carefully before installing product. Retain for future reference.



### WARNING



**Risk of Fire, Electrical Shock, Cuts or other Casualty Hazards-** Installation and maintenance of this product must be performed by a qualified electrician. This product must be installed in accordance with the applicable installation code by a person familiar with the construction and operation of the product and hazards involved.



**Risk of Fire and Electric Shock-** Make certain power is OFF before starting installation or attempting any maintenance. Disconnect power at fuse or circuit breaker.



**Risk of Fire-** Minimum 90°C supply conductors.



**Risk of Personal Injury-** Due to sharp edges, handle with care.



**Risk of Personal Injury-** Do not install this product in locations such as gymnasiums, arenas, sports complexes, multi-purpose rooms and other locations where the fixture potentially will be subject to impacts from external sources. Doing so may result in cracking and/or breaking of the fixture which may cause pieces to fall from the application.

**Risk of Personal Injury-** Failure to comply with these instructions may result in death, serious bodily injury and property damage.

---

**DISCLAIMER OF LIABILITY:** Cooper Lighting Solutions assumes no liability for damages or losses of any kind that may arise from the improper, careless, or negligent installation, handling or use of this product.

**IMPORTANT:** Read carefully before installing fixture. Retain for future reference.

**CAUTION:** Fixture may become damaged and/or unstable if not installed properly.

**NOTE:** This product is not intended or approved as a medical device.

**NOTE:** Specifications and dimensions subject to change without notice.

**NOTE:** These instructions do not claim to cover all details or variations in the equipment, procedure or process described, nor to provide directions for every possible contingency during installation, operation, or maintenance. When additional information is desired to satisfy a problem not covered sufficiently for user purpose, please contact your nearest representative.

**ATTENTION Receiving Department:** Note actual fixture description of any shortage or noticeable damage on delivery receipt. File claim for common carrier (LTL) directly with carrier. Claims for concealed damage must be filed within 15 days of delivery. All damaged material, complete with original packing must be retained.

## SAVE THESE INSTRUCTIONS

This installation instruction is for the Define Patient Grid Ceiling.

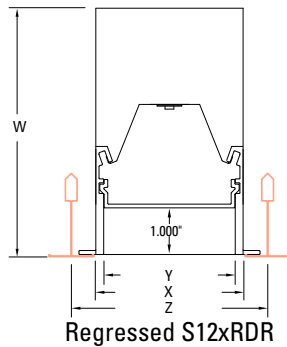
The purpose of this document is to provide sufficient detailed instructions for installation and basic troubleshooting.

## INSTALLATION INSTRUCTIONS

### Parts List

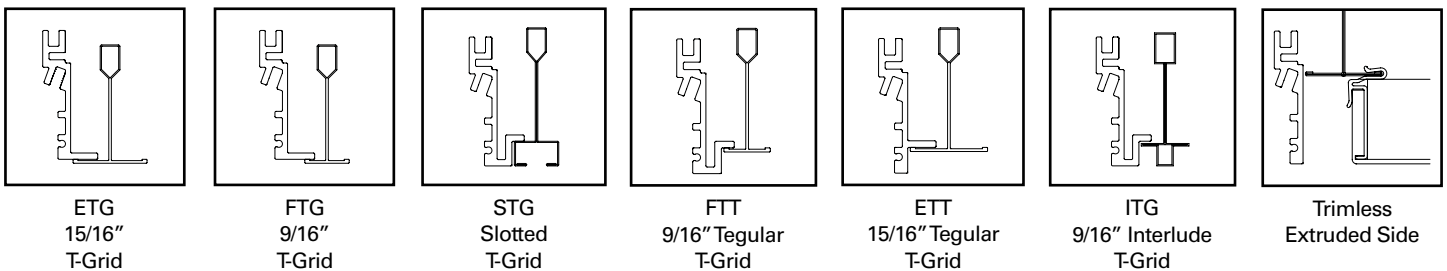
- Luminaire
- Grid Bracket/Joiner (pre-installed in fixture)
- Access Plate (pre-installed in housing)
- Support Wire (by others)
- Shielded Cable (by others)
- Lens Removal Tool
- Push-in Quick Connects or wire nuts
- Alignment Pins (pre-installed in fixture) (Continuous runs only)
- #8-32 2-1/2" Bolts and Nuts (Continuous runs only)
- 9/64" Allen Wrench (by others)
- 11/32" Flexible Nut Driver (by others)
- #2 Phillips Screwdriver (by others)

### Cross Section and Spacing Details



Define Cross Section Dimensions				
All Grid	W (Regressed)	X	Y	Z
Define 5	6.000	5.000	4.680	6.000

### Mounting Information - Extruded Trim Flange Details - Refer to submittal drawings for detailed flange information



## Warranties and Limitation of Liability

Please refer to [www.cooperlighting.com/global/warranty](http://www.cooperlighting.com/global/warranty) for our terms and conditions.

## Garanties et limitation de responsabilité










Veillez consulter le site [www.cooperlighting.com/global/warranty](http://www.cooperlighting.com/global/warranty) pour obtenir les conditions générales.

## Garantías y Limitación de Responsabilidad






Visite [www.cooperlighting.com/global/warranty](http://www.cooperlighting.com/global/warranty) para conocer nuestros términos y condiciones.

# Wiring Table






## 1<sup>st</sup> Circuit - Ambient

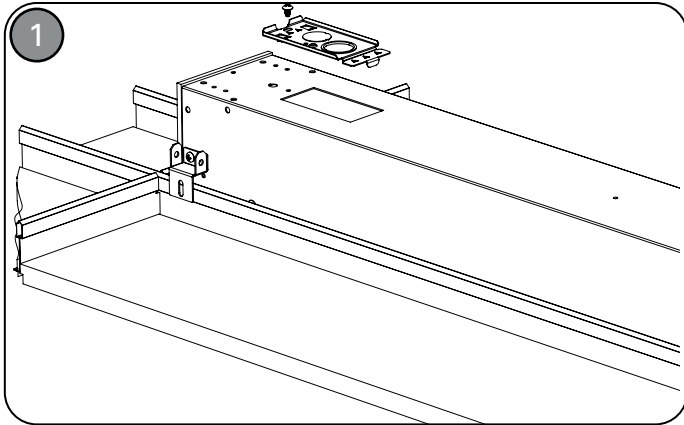
Power Supply (Input)	Vivid Tune
 Black/Red (BK/RD) - Emergency Hot	 Violet/White (VT/WT) - 1st Circuit CCT (+)
 White/Red (WT/RD) - Emergency Neutral	 Pink/Black (PK/BK) - 1st Circuit CCT (-)
 Black (BK) - Hot	
 White (WT) - Neutral	
 Green (GN) - Ground	
 Violet (VT) - Dimming (+)	
 Pink (PK) - Dimming (-)	

## 2<sup>nd</sup> Circuit - Downlight Group 1 (Exam)

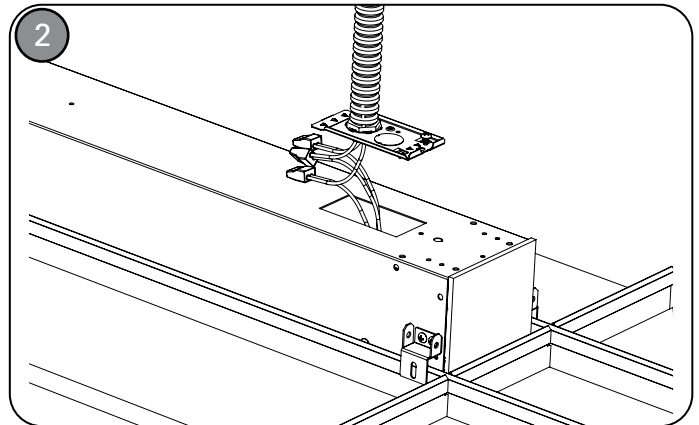
Power Supply (Input)
 Black/Orange (BK/OR) - 2nd Circuit Hot
 White/Orange (WT/OR) - 2nd Circuit Neutral
 Green (GN) - Ground
 Orange (OR) - 2nd Circuit Dimming (+)
 Yellow (YL) - 2nd Circuit Dimming (-)

## 3<sup>rd</sup> Circuit - Downlight Group 2 (Reading)

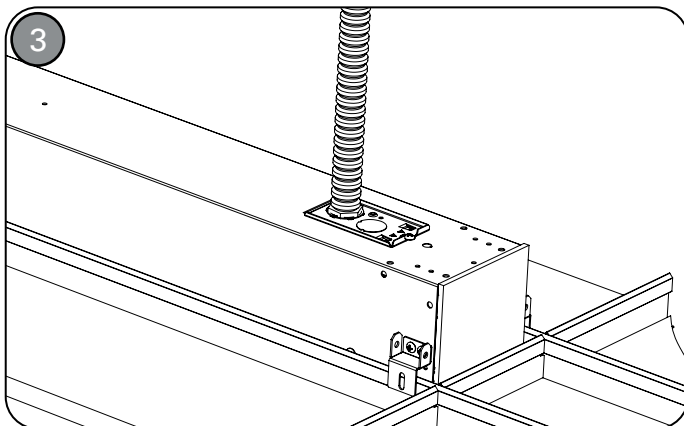
Power Supply (Input)
 Black/Blue (BK/BL) - 3rd Circuit Hot
 White/Yellow (WT/YL) - 3rd Circuit Neutral
 Green (GN) - Ground
 Yellow/Black (YL/BK) - 3rd Circuit Dimming (+)
 Brown (BR) - 3rd Circuit Dimming (-)



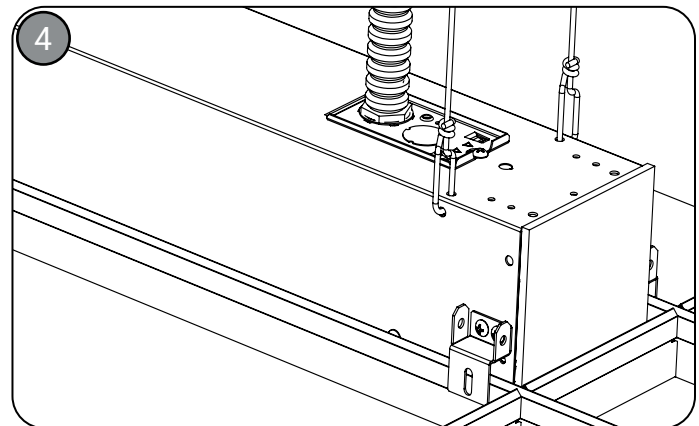
Prepare grid width spacing according to chart above and local building code. Install fixture housing into grid. Ensure Grid brackets secure over grid and fixture is resting on grid tee. Unscrew access plate and slide to remove as shown.



Connect shielded cable to access plate. Connect electrical wiring as required using provided push-in connector. Ensure wires are fully secure in connectors.

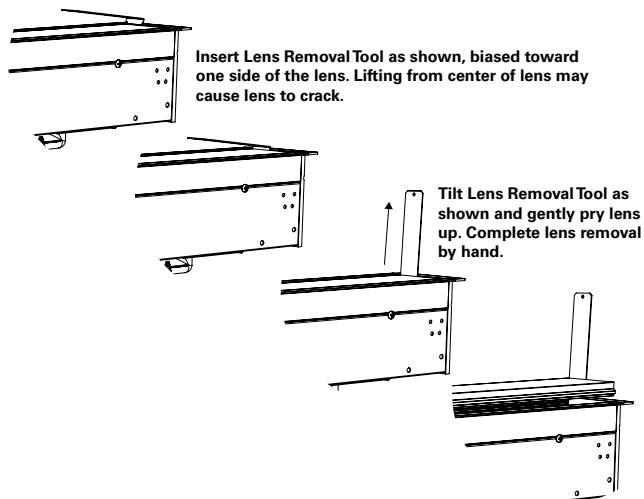


Reattach access plate by sliding plate back into housing as shown and secure access plate by re-installing screw.

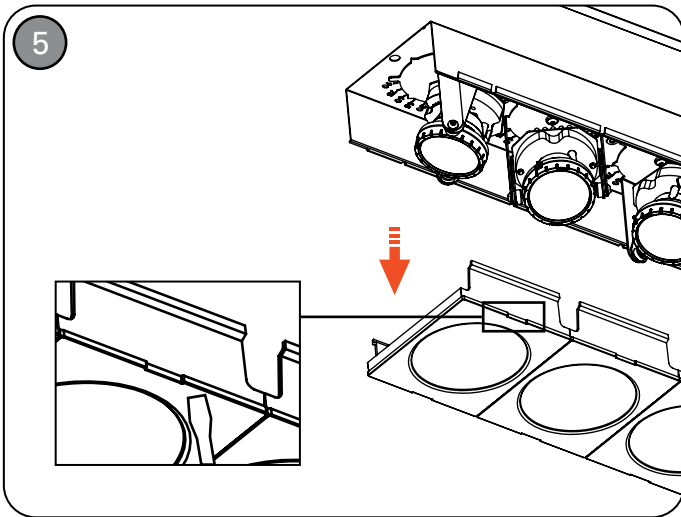


Secure fixture at both ends using support wire according to local building codes (not supplied).

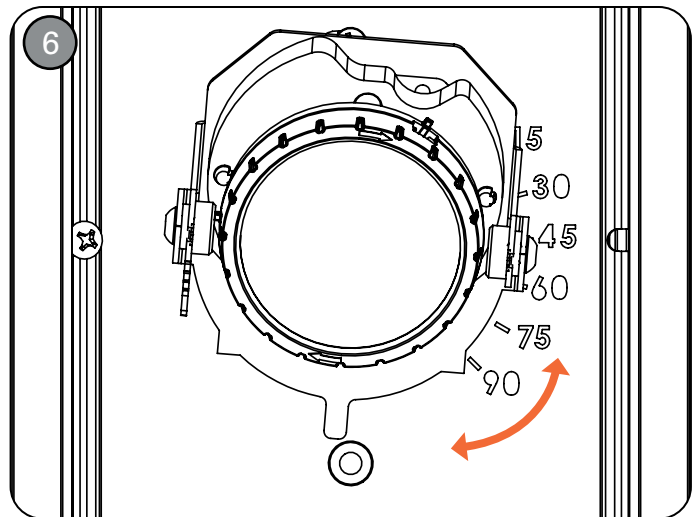
Lens Removal



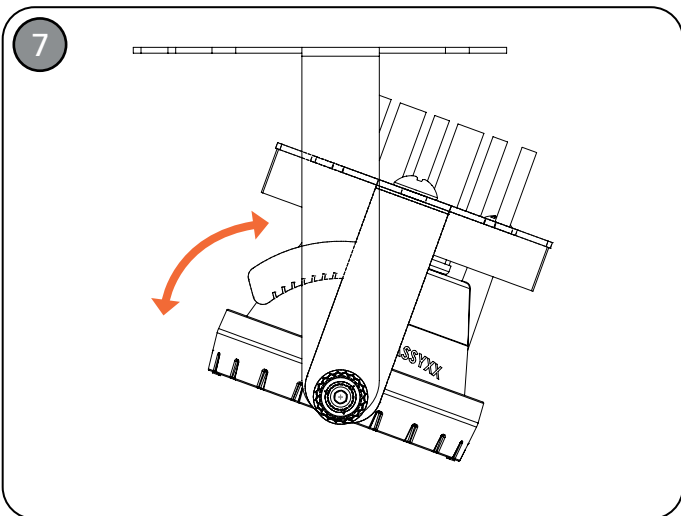
Downlight Aiming



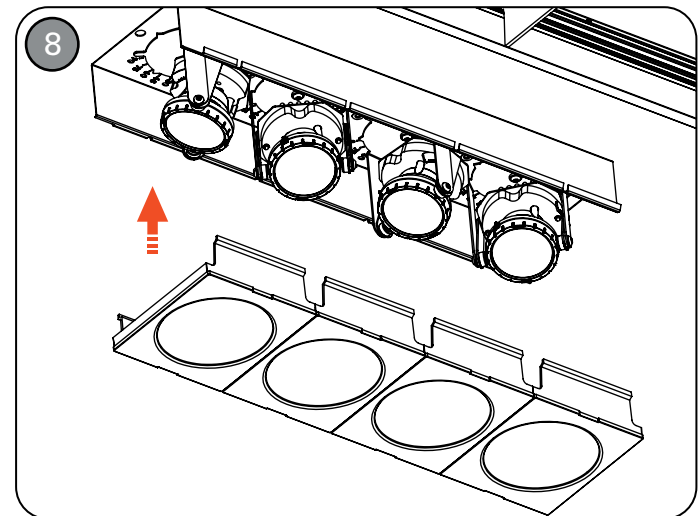
Remove the baffles using the provided lens removal tool or by gently using a flat head screw driver.



Rotate the downlight by gently turning the module to desired angle represented on the tray.



Adjust the tilt of the downlight gently with the heatsink to the desired angle represented on the bracket. Each notch is 5 degrees.



Replace the baffles.

**Warranties and Limitation of Liability**

Please refer to [www.cooperlighting.com/global/warranty](http://www.cooperlighting.com/global/warranty) for our terms and conditions.

**Garanties et limitation de responsabilité**

Veuillez consulter le site [www.cooperlighting.com/global/warranty](http://www.cooperlighting.com/global/warranty) pour obtenir les conditions générales.

**Garantías y Limitación de Responsabilidad**

Visite [www.cooperlighting.com/global/warranty](http://www.cooperlighting.com/global/warranty) para conocer nuestros términos y condiciones.