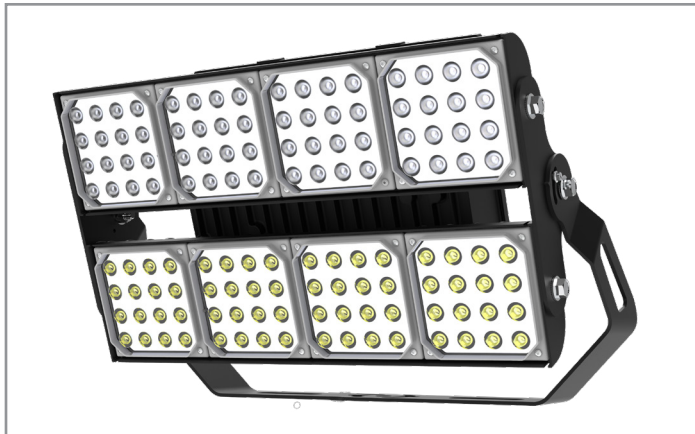


Project		Catalog #		Type	
Prepared by		Notes		Date	



# Ephesus

## LUMAVISION

CCT Tunable or Fixed-Color White LED Sports & Entertainment Luminaire

### Typical Applications

- Aerial and Ground Sports Venues • Multi-Event Centers
- Gymnasiums & Field Houses • Outdoor Courts • Basketball Courts
- Tennis Courts • Pickleball Courts • Volleyball Courts • Playgrounds & Skateparks
- Parks and Recreation Venues • Ice Hockey & Skating Arenas

### Interactive Menu

- Ordering Information [page 2](#)
- Performance Data [page 3](#)
- Ordering Information Accessories [page 6](#)
- Accessory Details [page 6](#)
- Dimensional and Mounting Details [page 9 - 24](#)
- Sample System Topology [page 25](#)

### Product Certification



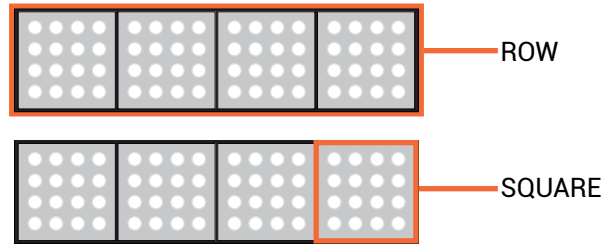
## Top Product Features

- **Optical Performance**
  - **AccuLED Optics™:** LumaVision utilizes patented and industry leading UV coated AccuLED Optics™ preventing yellowing and degradation over time.
  - **Glare and Spill Light Control:** Twenty (20) available beam distributions provide the flexibility and performance required for indoor and outdoor sports lighting.
  - **CCT Pro Tuning Option:** Allows for a tunable color temperature range of 3000K-6500K.
  - **Dark Sky Compliance Capable:** Light your game for the players and the community
- **Reliability**
  - **Built To Perform:** Thermally managed driver and LED housing provides demonstrated reliability confidence.
  - **L90:** With a 90,000+ hour rated life (at greater than 90% lumen maintenance), the LumaVision LED luminaire is designed for long life.
- **Take Control of Your System**
  - Compatible with the Ephesus control ecosystem, putting the control of your system in the palm of your hand.
- **Ease of Installation**
  - 6 flexible indoor/outdoor mounting options
- **Customizable**
  - 7 factory custom color options.
- **Accessories**
  - Custom visors provide additional cutoff and spill light control. Sport specific impact resistance technologies reduce maintenance on the system.

[Installation Manual](#)

Product Model Terminology

Model Name	Description
LumaVision 3	1 Row, 3 Squares
LumaVision 4	1 Row, 4 Squares
LumaVision 6	2 Rows, 6 Squares
LumaVision 7	2 Rows, 7 Squares
LumaVision 8	2 Rows, 8 Squares



Order Information -

NOTE: A complete fixture order requires a selection entry for **Brand, Family, Model, Drive Current, Voltage, Color, Trim Option, Mount, CRI/CCT, Optic, Control, AC Whip, Surge Options, Construction Options.**

SAMPLE ORDER NUMBER: EPH-VN-08-D-HV-AP-WHT-YOKE-930-11-010-A07-10MSP-ST

Brand	Family	Model	Drive Current	Voltage	Color	Trim Option
EPH = Ephesus, Standard TAA=Trade Agreements Act <sup>1</sup>	VN = LumaVision	03 = 3 Light Squares <sup>3</sup> 04 = 4 Light Squares <sup>3</sup> 06 = 6 Light Squares <sup>4</sup> 07 = 7 Light Squares <sup>4</sup> 08 = 8 Light Squares <sup>4</sup>	D = 1200 mA <sup>5</sup> E = 1500 mA	HV = High Voltage LV = Low Voltage	AP = Grey (Standard) BK = Black BZ = Bronze WH = White GR = Green GM = Graphite Metallic DP = Dark Platinum	WHT = White (Standard) LCF = Trim painted to match color <sup>6</sup>
Notes: (1) Only product configurations with this designated prefix are built to be compliant with the Trade Agreements Act of 1979 (TAA). Please refer to <a href="#">DOMESTIC PREFERENCES</a> website for more information. Components shipped separately may be separately analyzed under domestic preference requirements.	Notes:	Notes: (2) PRO = CCT Tuning 3000-6500K option only available in 04, 06, and 08 Models (3) Single Bar Configuration (4) Double Bar Configuration	Notes: (5) Available as a reduced drive current option for models with HA or HSS. D option also available for higher efficacy 8 square model.	Notes: HV = 347-480 VAC LV = 120-277 VAC	Notes:	Notes: (6) LCF Not available with optical types 33, 44, 55, 66, 77 and LAM

Mount	CRI/CCT	Optic	Control	AC Whip	Surge Options	Construction Options
YOKE = Yoke (Standard) <sup>7</sup> PNDT = Pendant AAJL = Adjustable arm direct pole mount <sup>7, 9</sup> AAJC = Adjustable arm direct pole (cord through housing) <sup>7</sup> ADJL = Slipfitter (Leads through slipfitter) <sup>7, 8, 9</sup> ADJC = Slipfitter (Cord through housing) <sup>7, 8</sup>	730 = 70CRI, 3000K 735 = 70CRI, 3500K 740 = 70CRI, 4000K 750 = 70CRI, 5000K 760 = 70CRI, 5700K 930 = 90CRI, 3000K 935 = 90CRI, 3500K 940 = 90CRI, 4000K 950 = 90CRI, 5000K PRO = CCT Tuning 3000-6500K <sup>10</sup>	33 = NEMA 3H x 3V <sup>11</sup> 44 = NEMA 4H x 4V <sup>11</sup> 55 = NEMA 5H x 5V <sup>11</sup> 66 = NEMA 6H x 6V <sup>11</sup> 77 = NEMA 7H x 7V LAM = Lambertian Distribution T1 = Type I T2 = Type II T2R = Type II Roadway T3 = Type III T3R = Type III Roadway T4FT = Type IV Forward Throw T4W = Type IV Wide 5NQ = Type V Narrow 5MQ = Type V Square Medium 5WQ = Type V Square Wide SL2 = Type II w/Spill Control SL3 = Type III w/Spill Control SL4 = Type IV w/Spill Control RW = Rectangular Wide Type I	010 = 0-10V (Standard) AMS = AirMesh <sup>11</sup> DAL = DALI LBI = DMX, Indoor <sup>12</sup> LBO = DMX, Outdoor <sup>12</sup>	NC = No Cord A05 = 5ft whip A07 = 7ft whip (Standard) A10 = 10ft whip A15 = 15ft whip	10MSP = Parallel 10kV MOV Surge Protective Device (Standard) 20MSP = Parallel 20kV MOV Surge Protective Device	ST = Standard HA = 50°C High Ambient <sup>16</sup> CC = Coastal Construction finish HSS = House Side Shield <sup>15, 16</sup>
Notes: (7) 3G Vibration Rated Per ANSI C136.31-2010 (8) Slipfitter mount to fasten luminaire to a 3 inch outer diameter tenon size. (9) Must use NC-No Cord for AC whip option	Notes: (10) Available for 4 Square, 6 Square and 8 Square models. Requires an AMS, LBI or LBO control option. Only compatible with optics 33, 44, 55, 66, 77 or LAM.	Notes: (11) For downlight applications only, if uplight is required contact Ephesus for more details.	Notes: 010 = 5C/16 BLK Cord AMS = 3C/16 BLK Cord DAL = 5C/16 BLK Cord (11) For downlight applications only, if uplight is required contact Ephesus for more details. (12) DMX indoor is two XLR cables, DMX outdoor is a single 5-conductor cable for watertight connection. Not compatible with AAJC, ADJL or ADJC mounts. For more details on DMX system response rates please refer to the product installation manual.	Notes: (13) AC Whip connecting the Driver Box to the electrical power source. NC=No Cord required for ADJL and AAJL mounting types. All other options require a cord length selection.	Notes: (14) Contact ephesus for additional protection options.	Notes: (15) Not available with optical types 33, 44, 55, 66, 77, LAM, T1, 5NQ, 5MQ, 5WQ & RW (16) Can not be used with drive current type E = 1500mA

DesignLights Consortium® Qualified. Refer to [www.designlights.org](http://www.designlights.org) Qualified Products List under Family Models for details

Performance Data<sup>1</sup>

	LumaVision 3	LumaVision 4	LumaVision 6	LumaVision 7	LumaVision 8
Nominal Lumen Output (at 70 CRI) <sup>2</sup>	28000	36000	55000	60000	73000
Nominal Lumen Output (at 90 CRI) <sup>3</sup>	20200	26200	39700	42300	52000
Nominal Power <sup>4</sup>	232	304	464	532	627
Voltage Range (Low)	120-277VAC				
Voltage Range (High)	347 - 480VAC				
Efficacy (lm/W)	121	119	119	111	116
CRI <sup>5</sup>	70, 90 CRI				
TLCI (at 90 CRI) <sup>5</sup>	92				
CCT Range (at 70 CRI)	3000-5700K				
CCT Range (at 90 CRI)	3000-5000K				
CCT Tunable Range (PRO Option)	3000-6500K				
Distribution (NEMA)	Refer to Order Information on page 3 for optic options				
Dimming Range	10%-100%				
Operating Temperature Range	-40°C to +40°C				
Usage	INDOOR, OUTDOOR				
Electrical Certifications	FCC Part 15, UL8750, UL1598, DLC STANDARD				
Environmental Certifications	IP66; ANSI C136.31-2010, RoHS				
Impact Certifications <sup>6</sup>	IK10 Rated				
Surge	10kV (standard), 20kV (option)				

Luminaire Approximate Weight <sup>7</sup>	LumaVision 3	LumaVision 4	LumaVision 6	LumaVision 7	LumaVision 8
With Yoke Weight (LBS)	24.25	26.44	45.93	50.58	50.58
With Pendant (LBS)	24.48	26.28	42.16	45.31	45.31
With Slipfitter (LBS)	27.8	29.98	45.53	46.49	46.49

Mount Vibration Rating Per ANSI C136.31-2010

YOKE = Yoke (Standard)	3G				
PNDT = Pendant	N/A				
AAJL = Adjustable arm direct pole mount	3G				
AAJC = Adjustable arm direct pole (cord through housing)	3G				
ADJL = Slipfitter (Leads through slipfitter)	3G				
ADJC= Slipfitter (Cord through housing)	3G				

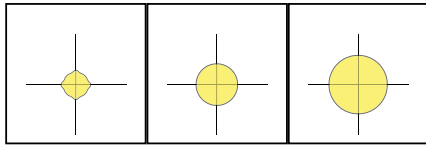
Effective Projected Area (EPA) <sup>8, 9</sup>	LumaVision 3	LumaVision 4	LumaVision 6	LumaVision 7	LumaVision 8
YOKE = Yoke (Standard)	1.61 (sq. ft.)	1.64 (sq. ft.)	2.38 (sq. ft.)	2.78 (sq. ft.)	2.78 (sq. ft.)
PNDT = Pendant	1.6 (sq. ft.)	1.89 (sq. ft.)	2.34 (sq. ft.)	2.9 (sq. ft.)	2.9 (sq. ft.)
AAJL = Adjustable arm direct pole mount	1.8 (sq. ft.)	1.8 (sq. ft.)	1.8 (sq. ft.)	1.8 (sq. ft.)	1.8 (sq. ft.)
AAJC = Adjustable arm direct pole (cord through housing)	1.8 (sq. ft.)	1.8 (sq. ft.)	1.8 (sq. ft.)	1.8 (sq. ft.)	1.8 (sq. ft.)
ADJL = Slipfitter (Leads through slipfitter)	1.77 (sq. ft.)	2.04 (sq. ft.)	2.47 (sq. ft.)	2.99 (sq. ft.)	2.99 (sq. ft.)
ADJC= Slipfitter (Cord through housing)	1.77 (sq. ft.)	2.04 (sq. ft.)	2.47 (sq. ft.)	2.99 (sq. ft.)	2.99 (sq. ft.)

NOTES:

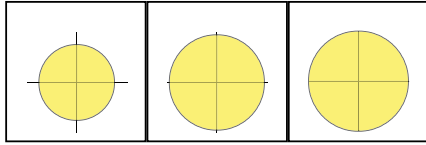
- (1) Specifications are subject to change without notice
- (2) Based on T4FT lens, 70 CRI, 5000K
- (3) Based on 66 lens, 70 CRI, 5000K
- (4) Values are +/- 5% when fixture is operated at 25°C ambient
- (5) Values are +/- 3 points
- (6) IK10 Rating applies to LumaVision configurations using the Vandal Shield accessory. (VSH3, VSH4, VSH6, VSH7, VSH8)
- (7) Weight varies depending on mounting bracket, lighthead and driverbox selection
- (8) Calculated with luminaire aimed 45° to the ground
- (9) EPA varies depending on the aiming angle of the fixture

LUMAVISION AccuLED Optics™

Symmetrical

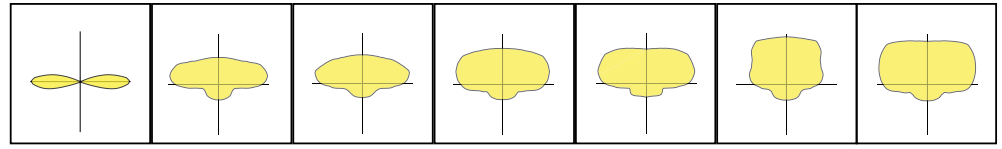


33 = NEMA 3H x 3V    44 = NEMA 4H x 4V    55 = NEMA 5H x 5V

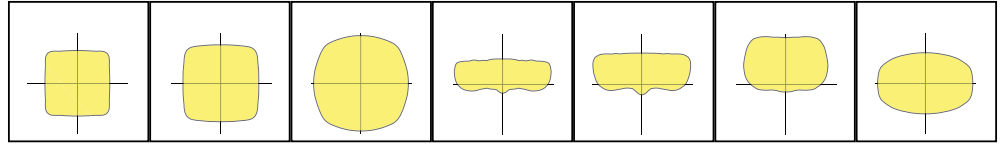


66 = NEMA 6H x 6V    77 = NEMA 7H x 7V    LAM = Lambertian Distribution

Asymmetrical

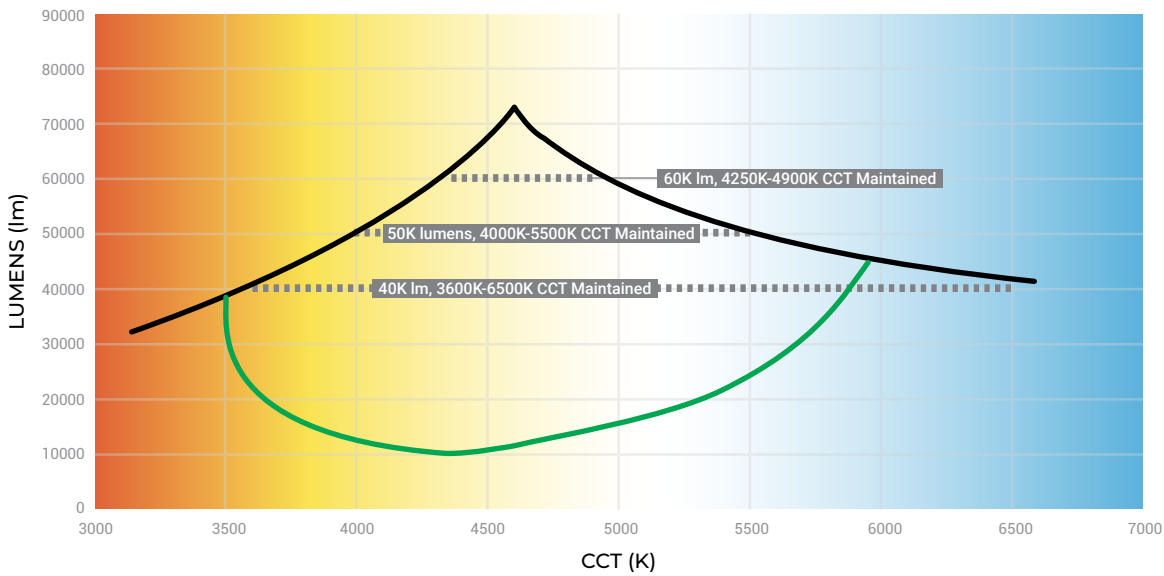


T1 = Type I    T2 = Type II    T2R = Type II Roadway    T3 = Type III    T3R = Type III Roadway    T4FT = Type IV Forward Throw    T4W = Type IV Wide



5NQ = Type V Narrow    5MQ = Type V Square Medium    5WQ = Type V Square Wide    SL2 = Type II w/Spill Control    SL3 = Type III w/Spill Control    SL4 = Type IV w/Spill Control    RW = Rectangular Wide Type I

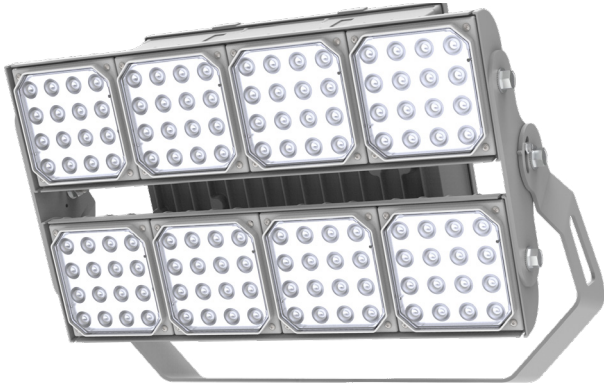
LUMAVISION CCT PRO TUNING OPERATING RANGE



Key	
	Max Lumen Curve
	Min Dimming Curve



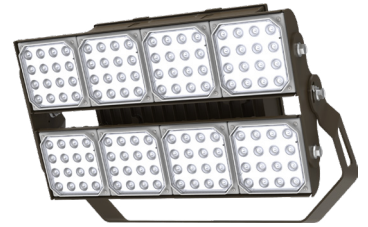
Color Options



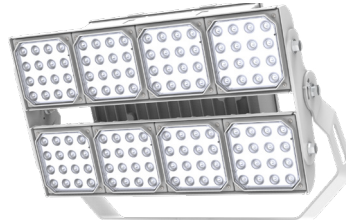
AP = GREY (STANDARD)



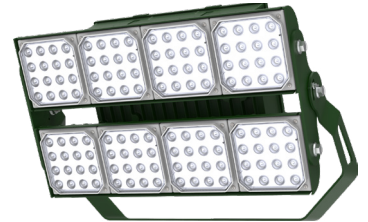
BK = BLACK



BZ = BRONZE



WH = WHITE

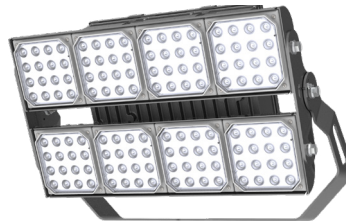


GR = GREEN

AP = GREY (STANDARD)	BK = BLACK	BZ = BRONZE	WH = WHITE	GR = GREEN	GM = GRAPHITE METALLIC	DP = DARK PLATINUM
----------------------------	---------------	----------------	---------------	---------------	------------------------------	--------------------------

- Customizeable color options (7 options)
- Factory custom built accessories

Note: colors may appear differently based on viewing device.



GM = GRAPHITE METALLIC



DP = DARK PLATINUM

## Ordering Information for External Accessories

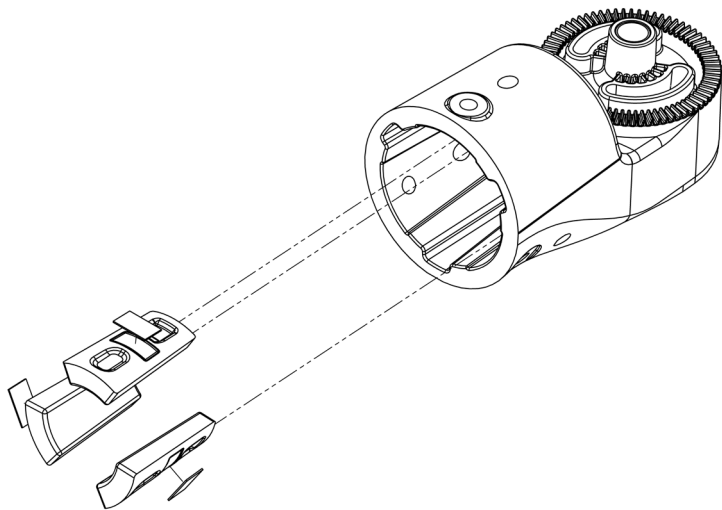
NOTE: A complete accessory order requires a selection entry for **Brand, Family, Accessory, Visor Color (If applicable)**.

SAMPLE ORDER NUMBER: **EPH-VN-VIS3-AP**

Brand	Family	Accessory	Visor Color	
EPH = Ephesus	VN = LumaVision	<b>VIS3</b> = Visor for Model <b>03</b> = 3 Light Squares <b>VIS4</b> = Visor for Model <b>04</b> = 4 Light Squares <b>VIS6</b> = Visor for Model <b>06</b> = 6 Light Squares <b>VIS7</b> = Visor for Model <b>07</b> = 7 Light Squares <b>VIS8</b> = Visor for Model <b>08</b> = 8 Light Squares	<b>AP</b> = Grey (Standard) <b>BK</b> = Black <b>BZ</b> = Bronze <b>WH</b> = White <b>GR</b> = Green <b>GM</b> = Graphite Metallic <b>DP</b> = Dark Platinum	For additional cutoff and spill light control.
		<b>VSH3</b> = Vandal Shield for Model <b>03</b> = 3 Light Squares <b>VSH4</b> = Vandal Shield for Model <b>04</b> = 4 Light Squares <b>VSH6</b> = Vandal Shield for Model <b>06</b> = 6 Light Squares <b>VSH7</b> = Vandal Shield for Model <b>07</b> = 7 Light Squares <b>VSH8</b> = Vandal Shield for Model <b>08</b> = 8 Light Squares		IK10 rated polycarbonate shield improves impact resistance to small projectiles (ie. rocks, or pellets).
		<b>WRG3</b> = Wire Guard for Model <b>03</b> = 3 Light Squares <b>WRG4</b> = Wire Guard for Model <b>04</b> = 4 Light Squares <b>WRG6</b> = Wire Guard for Model <b>06</b> = 6 Light Squares <b>WRG7</b> = Wire Guard for Model <b>07</b> = 7 Light Squares <b>WRG8</b> = Wire Guard for Model <b>08</b> = 8 Light Squares		Stainless steel cage improves impact resistance to large projectiles (ie. basketball, pucks).
		<b>SRA238</b> = Slipfitter Spacer		Used with the <b>ADJC</b> & <b>ADJL</b> Slipfitter mount to fasten luminaire to a 2 3/8in outer diameter tenon size.
		<b>HWCB</b> = Center Bolt Mount Fastening Hardware		Center Bolt Mount with a 3/4 - 10 x 1.75in bolt in the center of pendant mount. Fastening hardware used to replace common Arena Mounting style "CS" for catwalk brackets and other center stud mount applications.
		<b>HWMM</b> = Multi-Point Mount Fastening Hardware		Multi-Point Mounting with 2 qty. 5/16-18 x 1.25in bolts on either edge of the pendant yoke. Can be paired with "HWCB" or "HWCN" as necessary.
		<b>HWCN</b> = Conduit Nuts Fastening Hardware		Two Conduit Nuts to attach a standard 3/4in threaded conduit to the center of the pendant mount yoke. Equivalent to the Arena "MM" multi-mount style mount when paired with "HWMM".
Notes:				

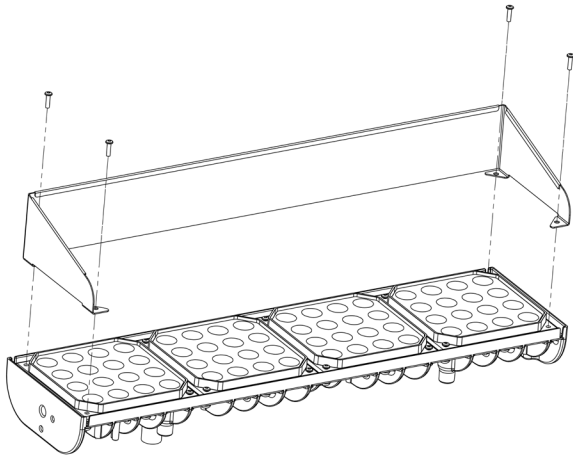
Specifications and dimensions subject to change without notice. Consult your lighting representative at Ephesus Sports Lighting or visit [www.EphesusLighting.com](http://www.EphesusLighting.com) for available options, accessories and ordering information.

### Mounting Accessory Part Details:



**Slipfitter Spacer (SRA238)**

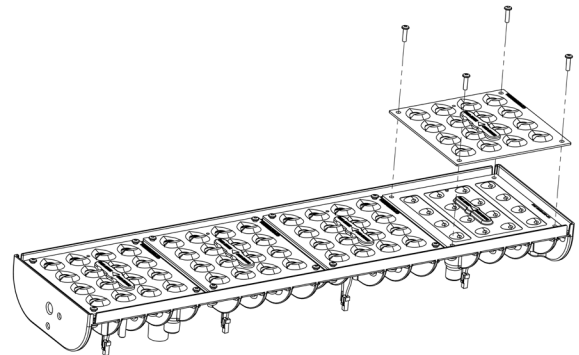
External Optical Cut-off Accessory Part Details:



Visor Full Bar (VIS) Parts<sup>1</sup>

ITEM NO.	DESCRIPTION	WEIGHT (LBS)
VIS3	Visor for Model 03 = 3 Light Squares	1.19
VIS4	Visor for Model 04 = 4 Light Squares	1.46
VIS6	Visor for Model 06 = 6 Light Squares	2.38
VIS7	Visor for Model 07 = 7 Light Squares	2.65
VIS8	Visor for Model 08 = 8 Light Squares	2.92

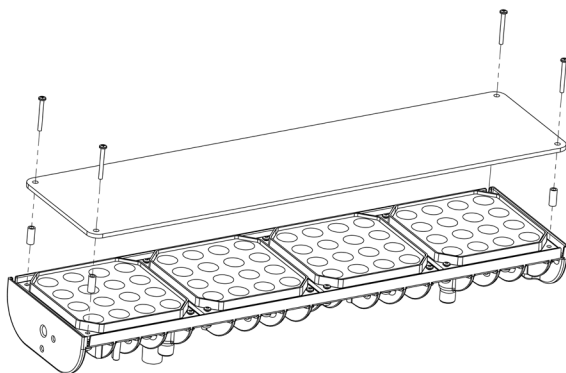
<sup>1</sup>image shown in EPH-VN-VIS4-XX configuration. See page 5 for color options.



House Side Shield (HSS)

Factory Installation only

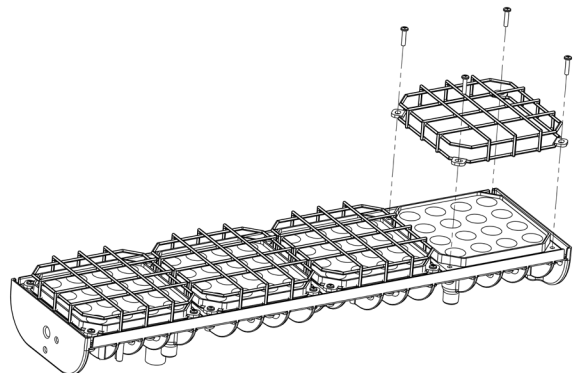
External Impact Shield and Guard Accessory Part Details:



Vandal Shield (VSH) Parts<sup>1</sup>

ITEM NO.	DESCRIPTION	WEIGHT (LBS)
VSH3	Vandal Shield for Model 03 = 3 Light Squares	0.78
VSH4	Vandal Shield for Model 04 = 4 Light Squares	1.04
VSH6	Vandal Shield for Model 06 = 6 Light Squares	1.56
VSH7	Vandal Shield for Model 07 = 7 Light Squares	1.82
VSH8	Vandal Shield for Model 08 = 8 Light Squares	2.08

<sup>1</sup>image shown in EPH-VN-VSH4 configuration

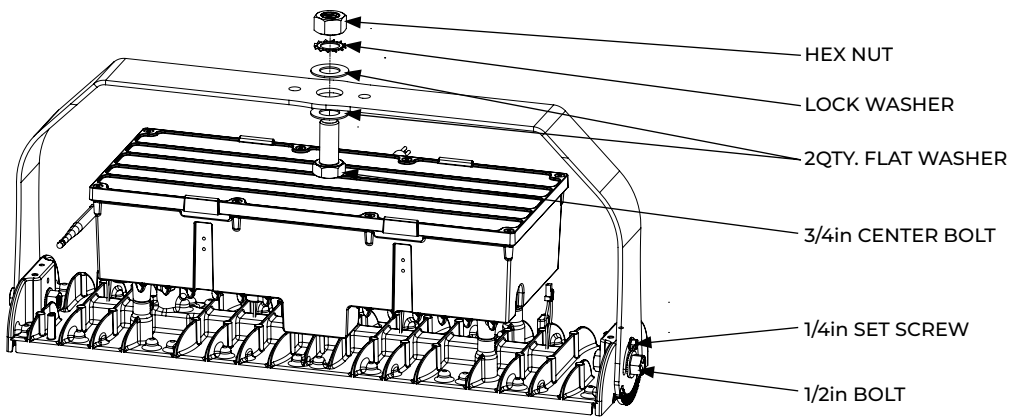


Wire Guard (WRG) Parts<sup>1</sup>

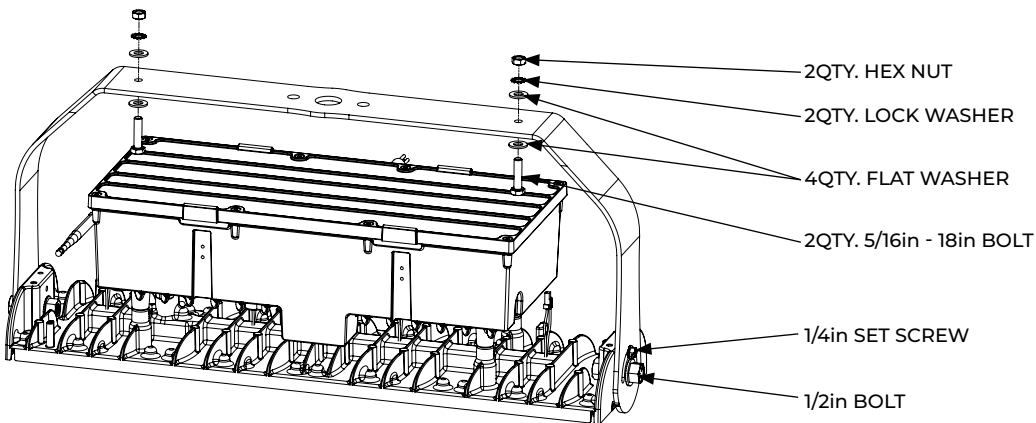
ITEM NO.	DESCRIPTION	WEIGHT (LBS)
WRG3	Wire Guard for Model 03 = 3 Light Squares	1.08
WRG4	Wire Guard for Model 04 = 4 Light Squares	1.44
WRG6	Wire Guard for Model 06 = 6 Light Squares	2.16
WRG7	Wire Guard for Model 07 = 7 Light Squares	2.52
WRG8	Wire Guard for Model 08 = 8 Light Squares	2.88

<sup>1</sup>image shown in EPH-VN-WRG4 configuration

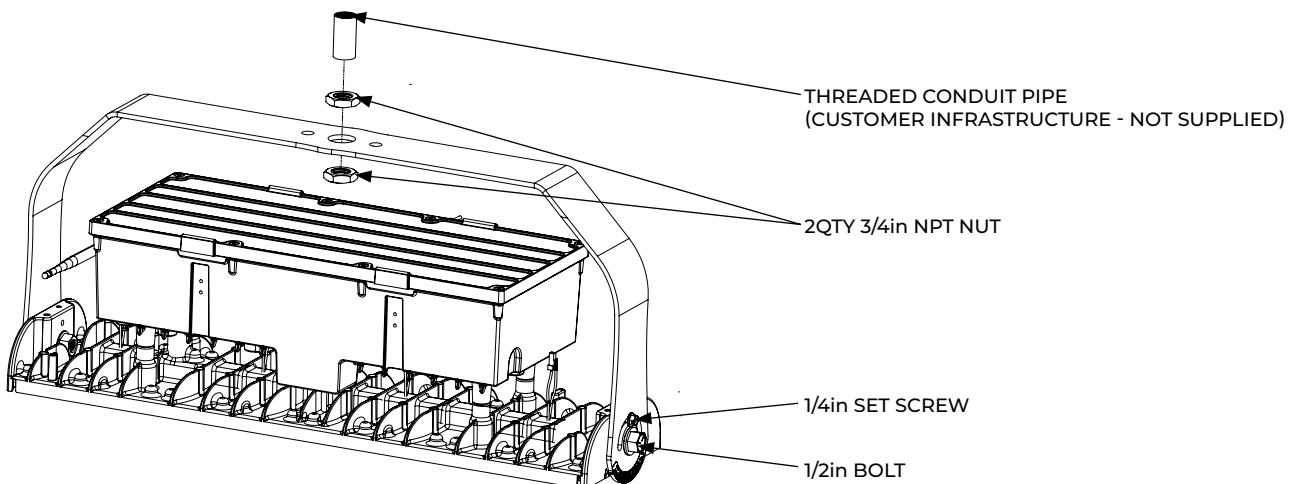
**Fastening Hardware Accessory Part Details:**



**Center Bolt Mount Fastening Hardware (HWCB)**



**Multi-point Mount Fastening Hardware (HWMM)**



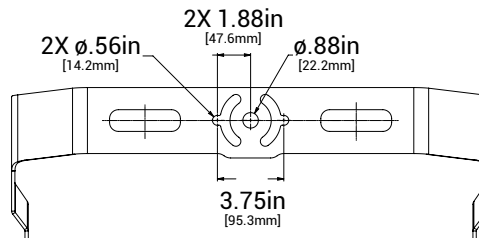
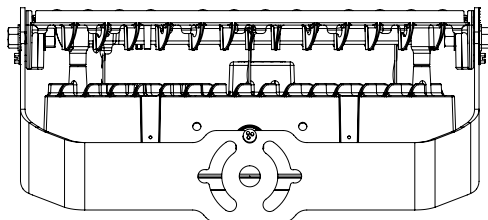
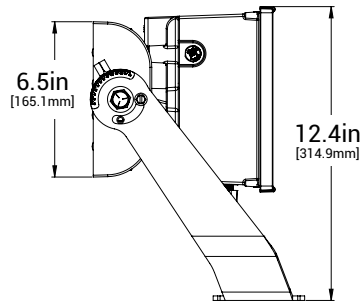
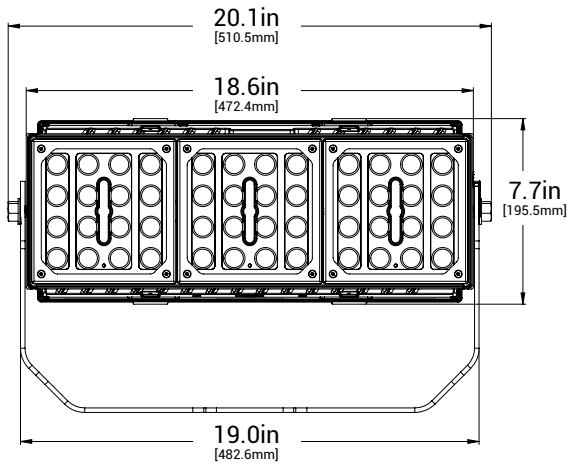
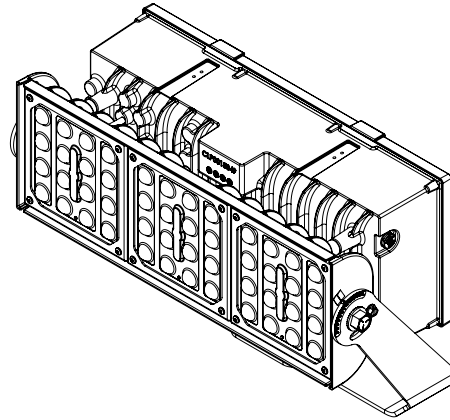
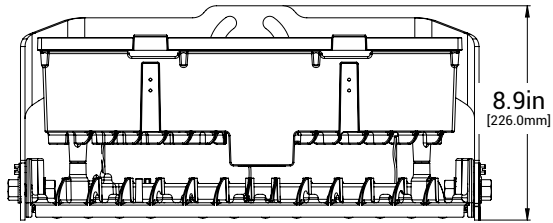
**Conduit Nuts Fastening Hardware (HWCN)**

Dimensional & Mounting Details

PRODUCT FAMILY: LUMAVISION

MODEL: 3

MOUNT TYPE: YOKE (YOKE MOUNT)

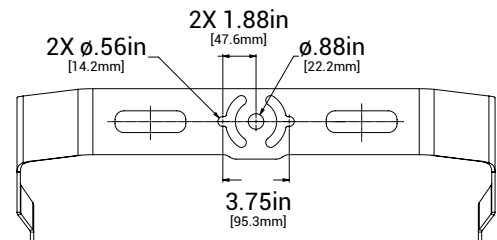
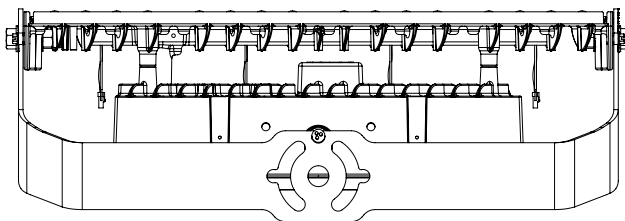
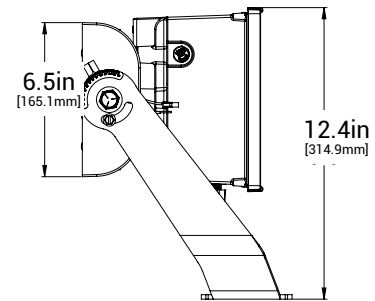
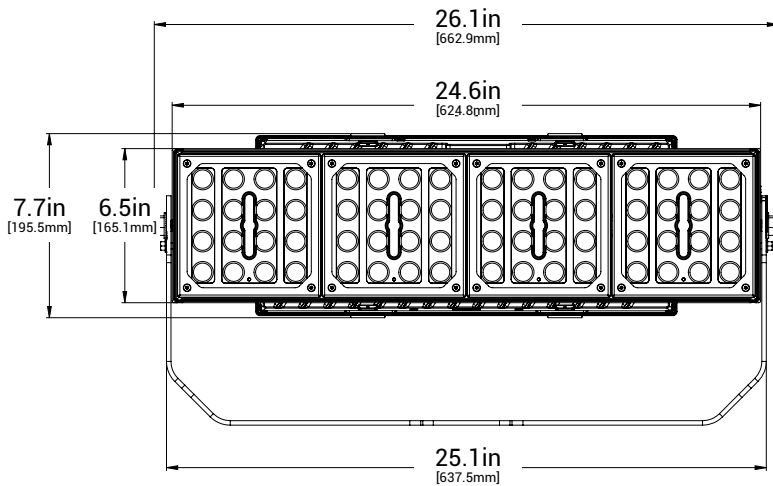
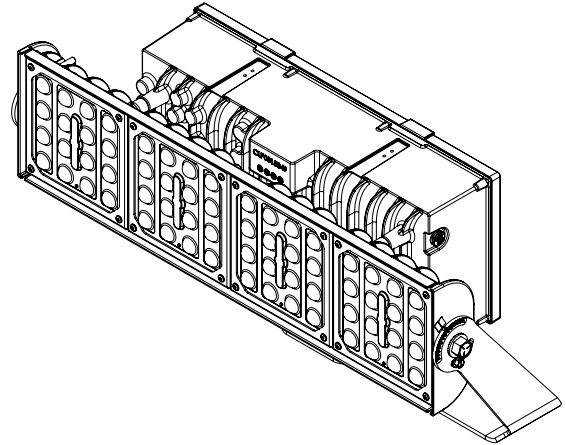
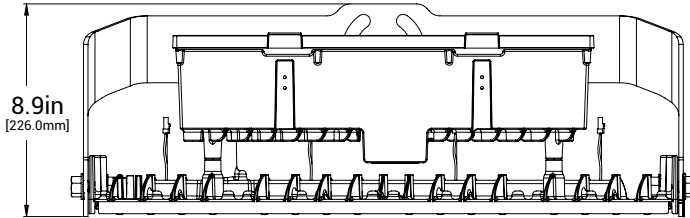


Dimensional & Mounting Details

PRODUCT FAMILY: LUMAVISION

MODEL: 4

MOUNT TYPE: YOKE (YOKE MOUNT)

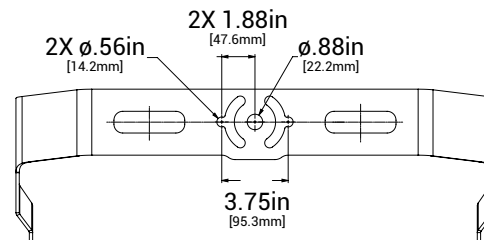
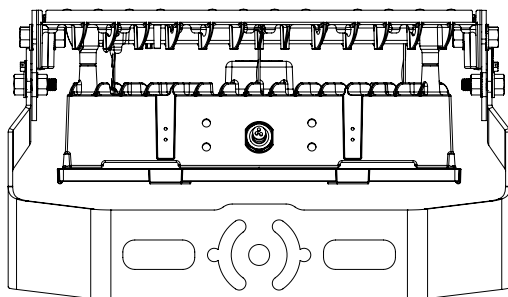
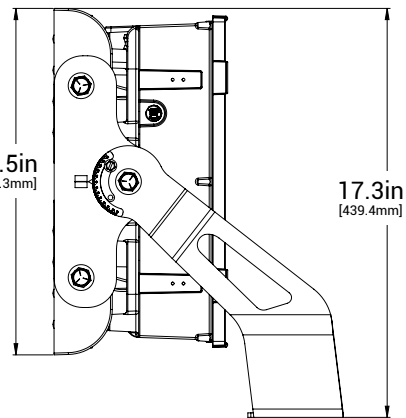
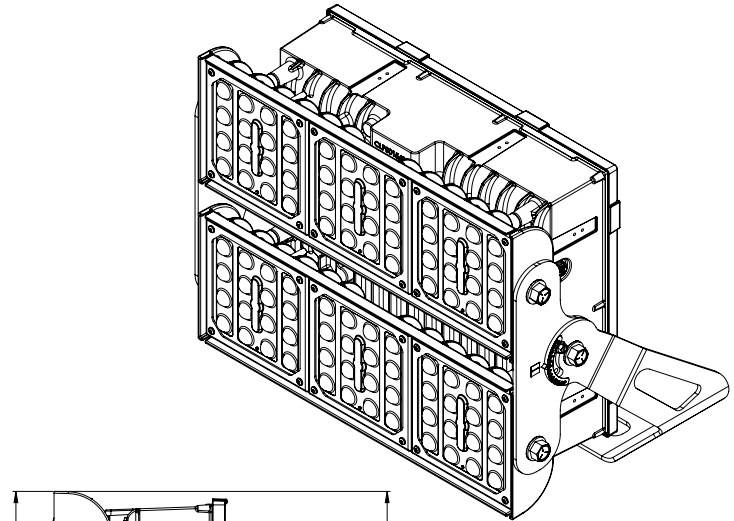
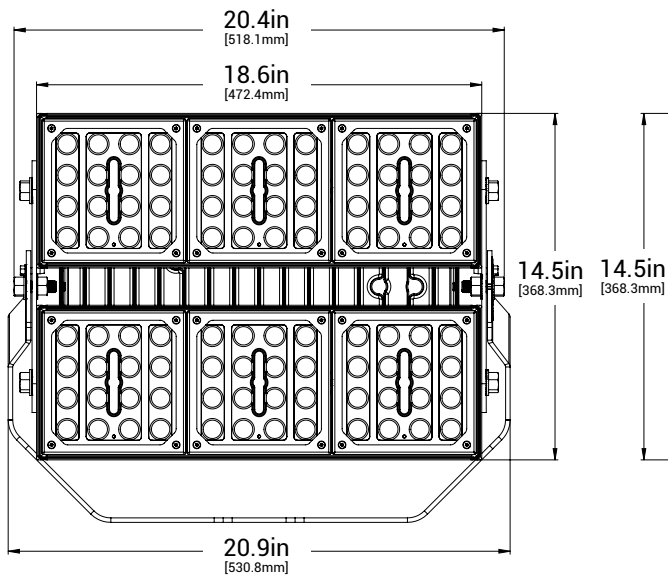
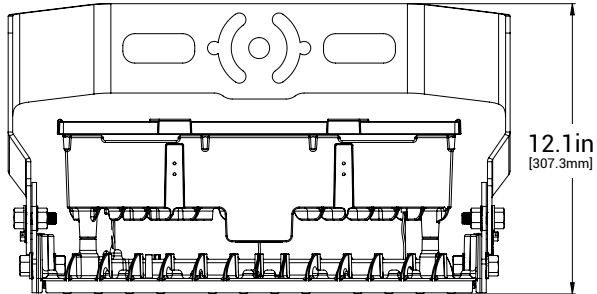


Dimensional & Mounting Details

PRODUCT FAMILY: LUMAVISION

MODEL: 6

MOUNT TYPE: YOKE (YOKE MOUNT)



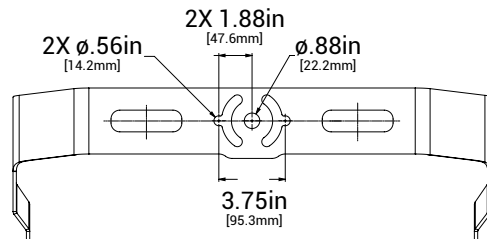
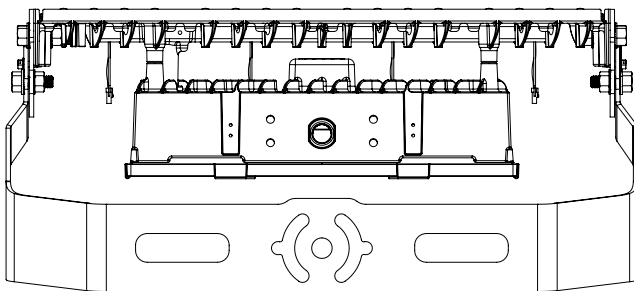
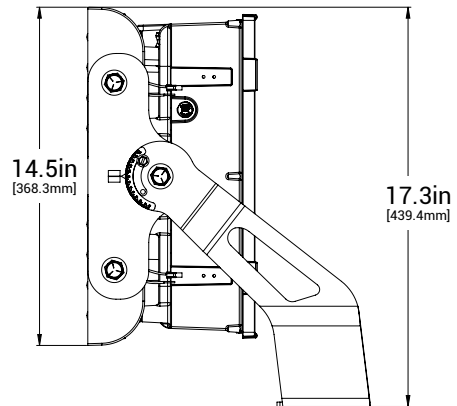
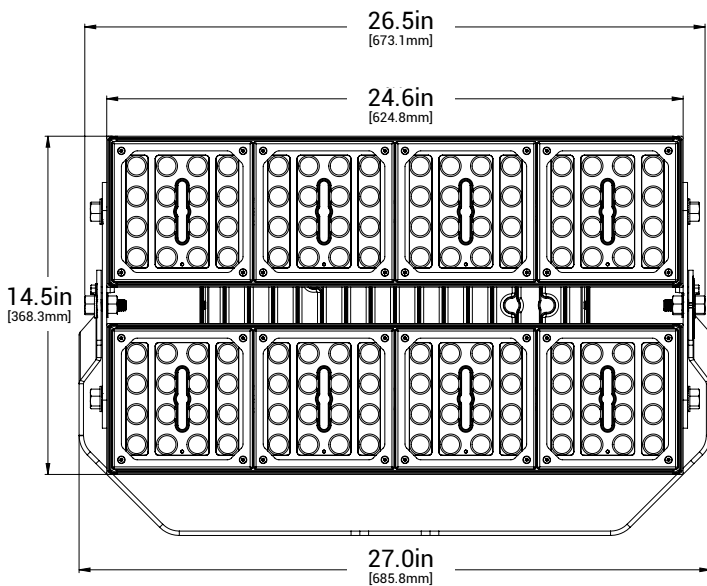
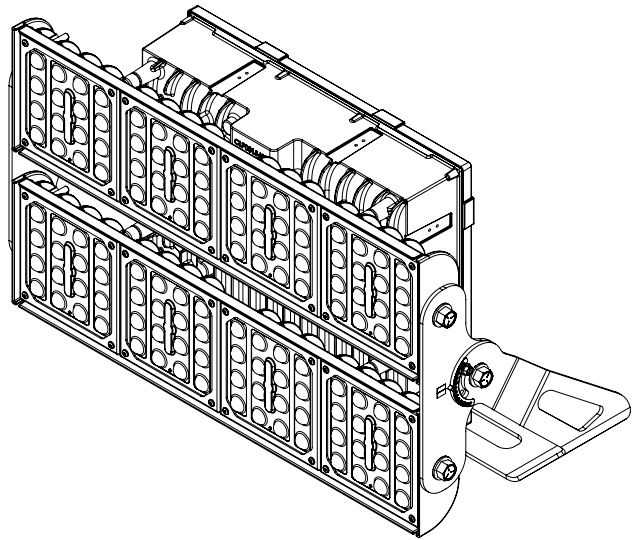
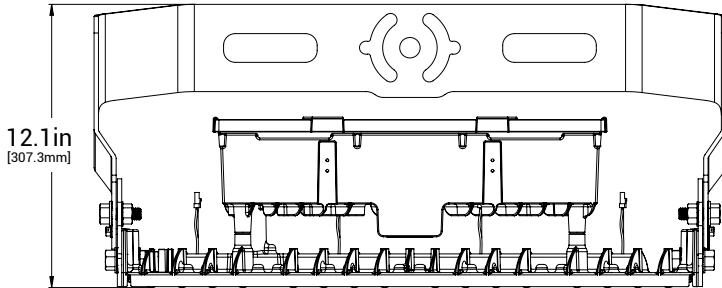


Dimensional & Mounting Details

PRODUCT FAMILY: LUMAVISION

MODEL: 7 & 8

MOUNT TYPE: YOKE (YOKE MOUNT)



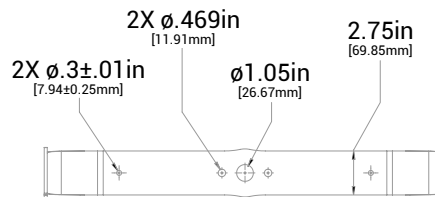
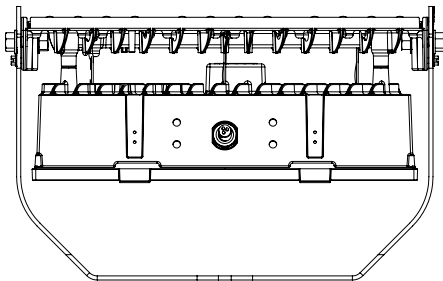
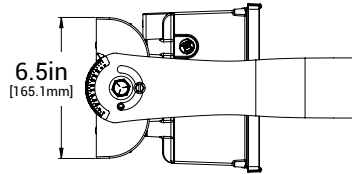
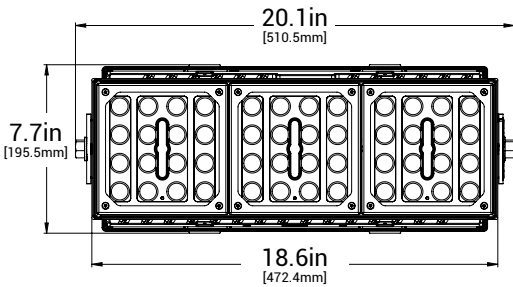
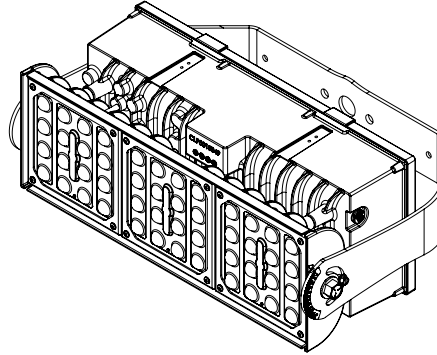
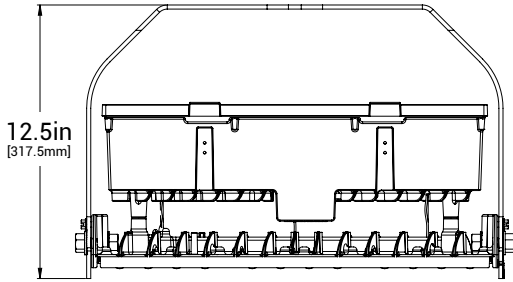


Dimensional & Mounting Details

PRODUCT FAMILY: LUMAVISION

MODEL: 3

MOUNT TYPE: PNDT (PENDANT MOUNT)

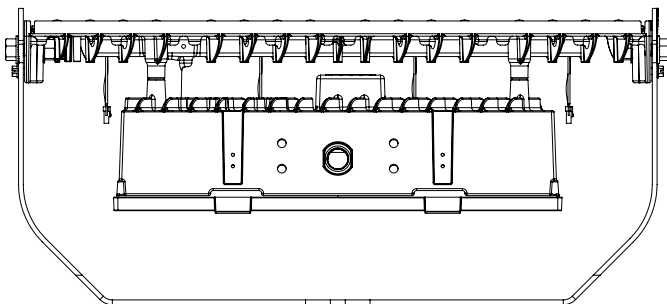
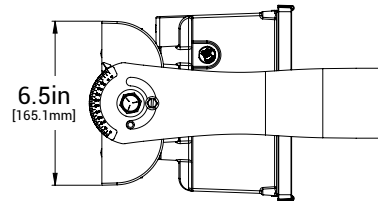
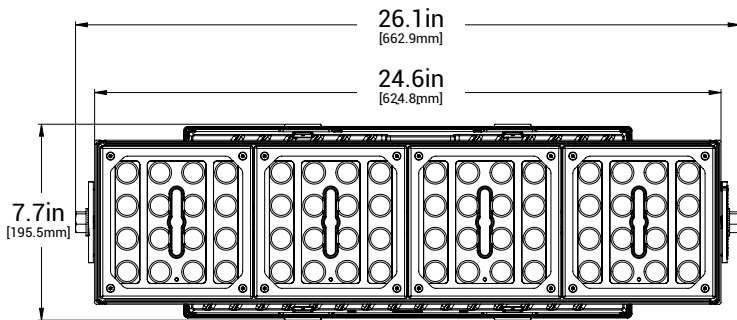
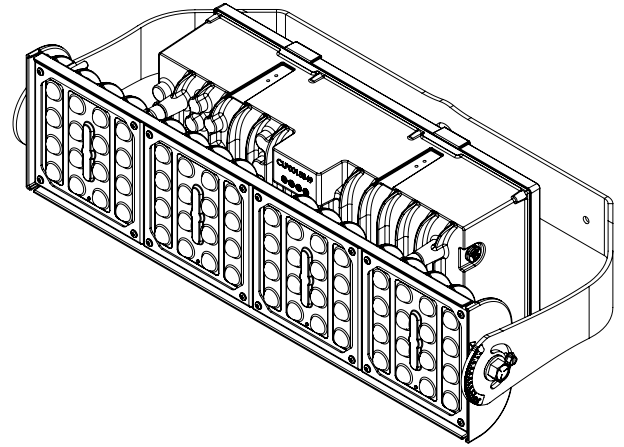
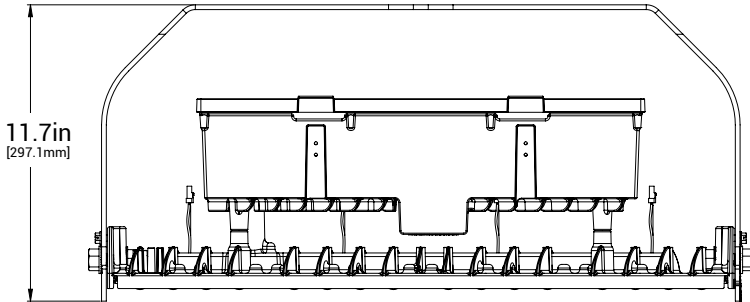


Dimensional & Mounting Details

PRODUCT FAMILY: LUMAVISION

MODEL: 4

MOUNT TYPE: PNDT (PENDANT MOUNT)

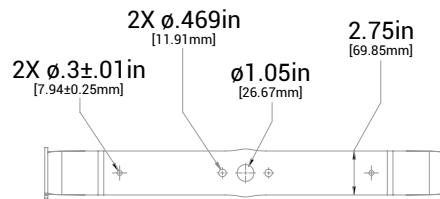
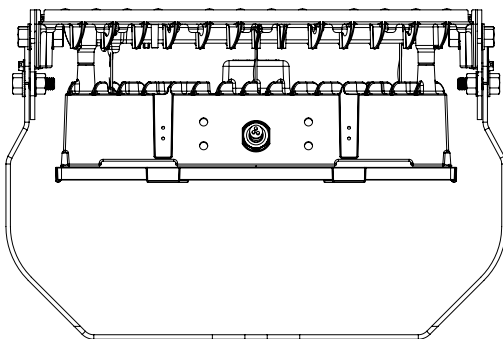
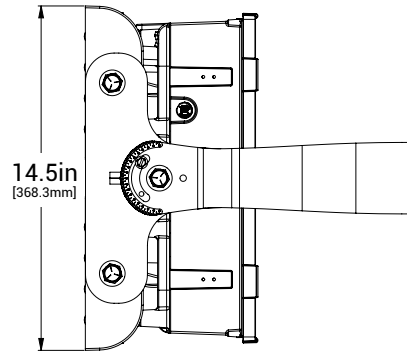
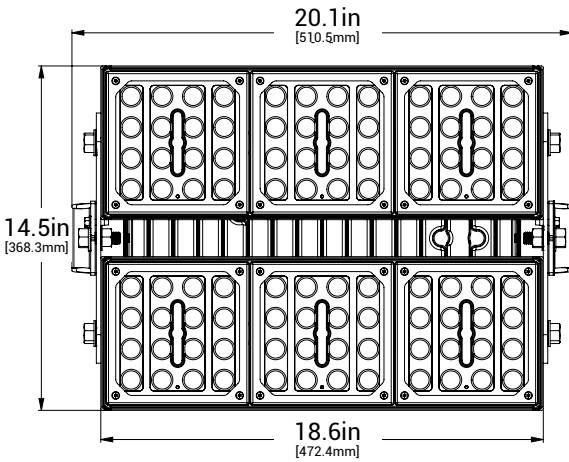
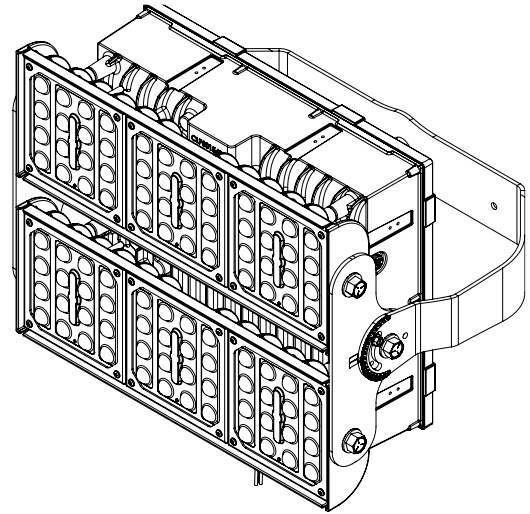
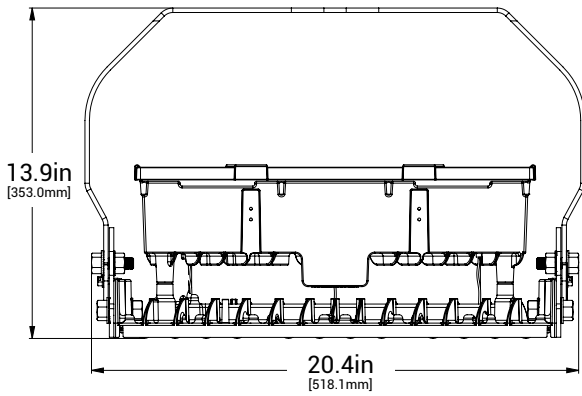


Dimensional & Mounting Details

PRODUCT FAMILY: LUMAVISION

MODEL: 6

MOUNT TYPE: PNDT (PENDANT MOUNT)

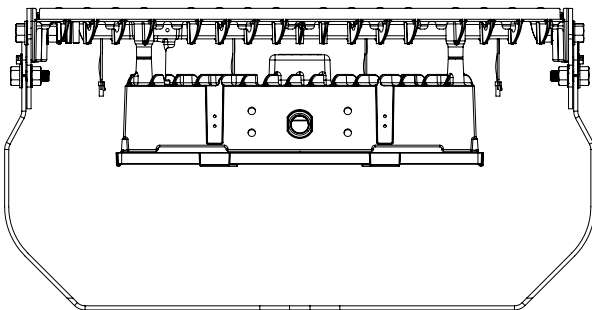
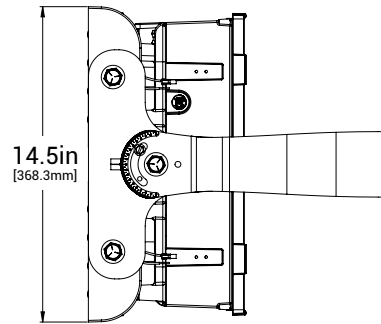
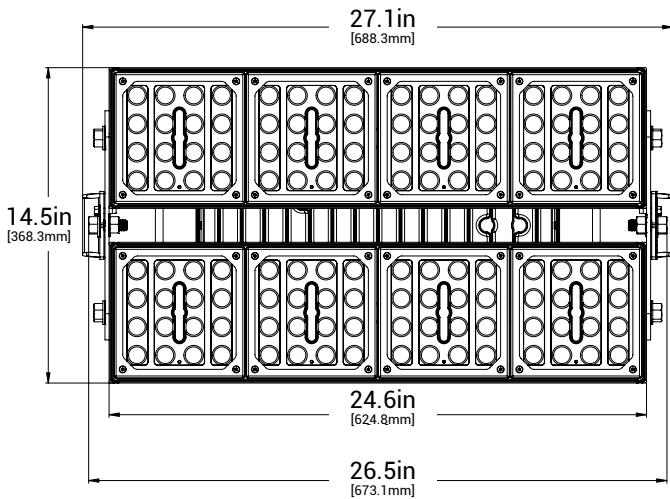
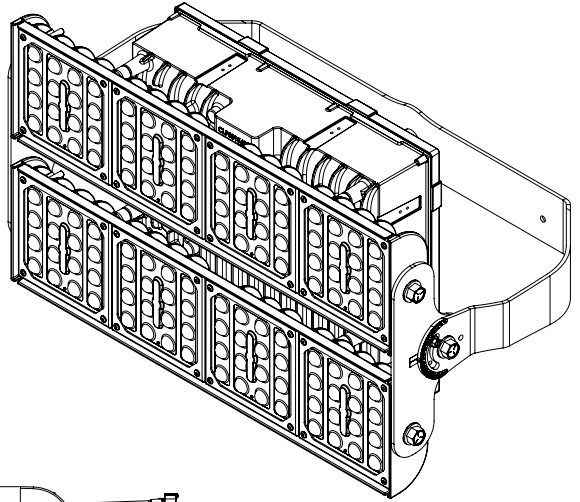
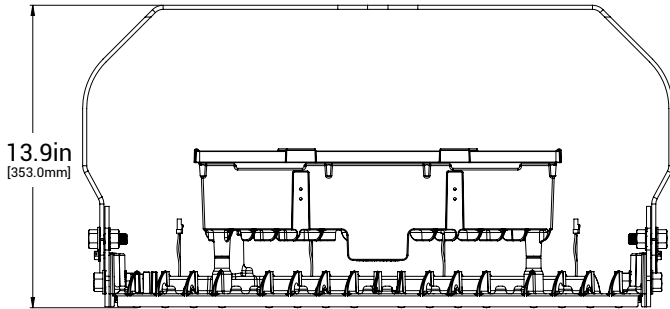


Dimensional & Mounting Details

PRODUCT FAMILY: LUMAVISION

MODEL: 7 & 8

MOUNT TYPE: PNDT (PENDANT MOUNT)



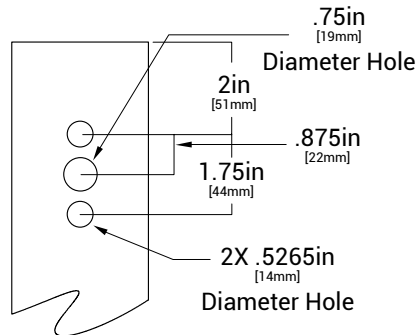
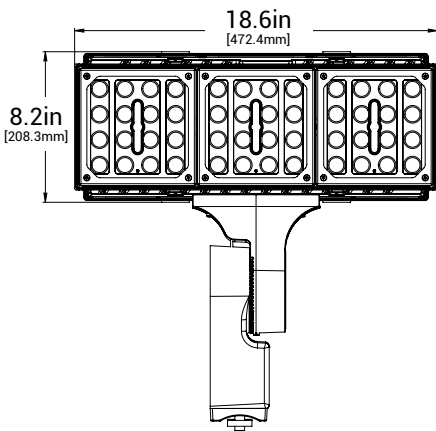
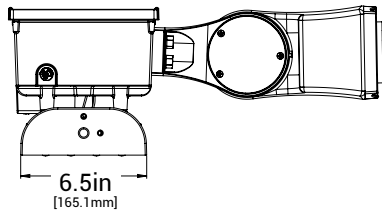
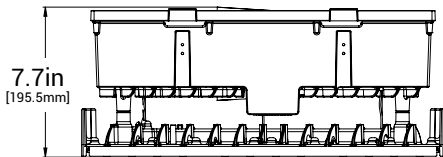
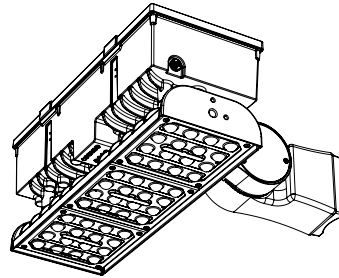
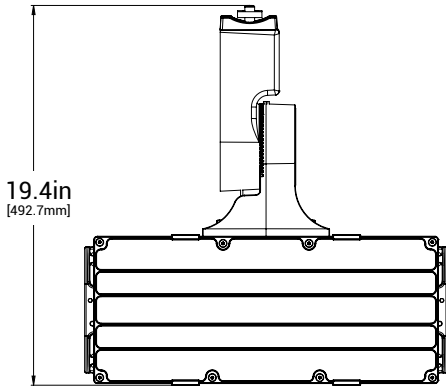
Dimensional & Mounting Details

PRODUCT FAMILY: LUMAVISION

MODEL: 3

MOUNT TYPE:

- AAJL (ADJUSTABLE ARM DIRECT POLE MOUNT)
- AAJC (ADJUSTABLE ARM DIRECT POLE MOUNT [CORD THROUGH HOUSING])



**WARNING:** Customer is responsible for engineering analysis to confirm pole and fixture compatibility for all applications. Refer to [Pole Drill Patterns Document](#) for additional support information.

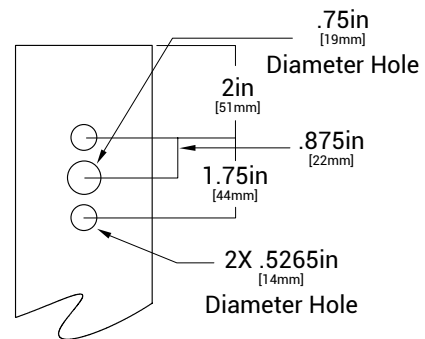
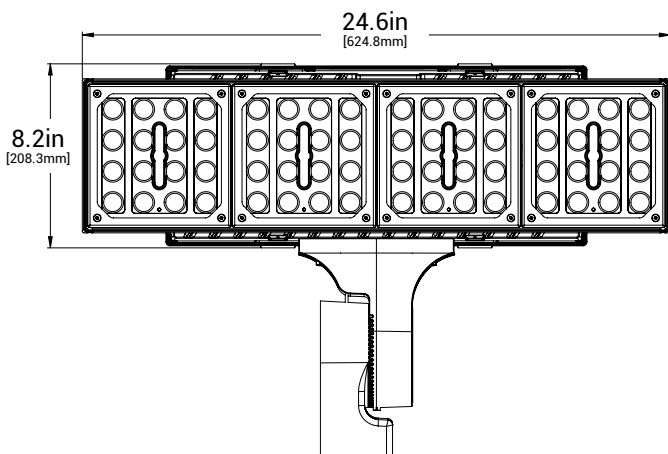
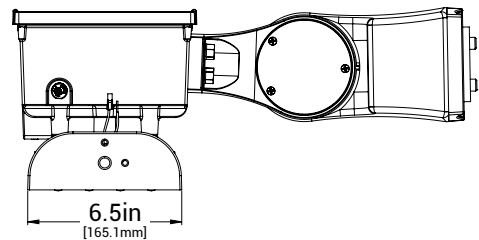
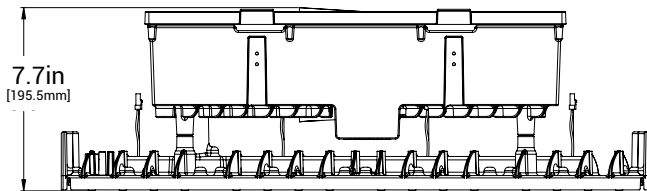
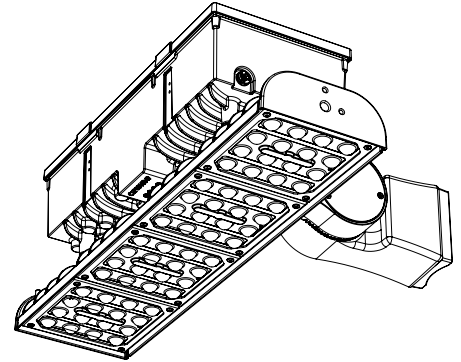
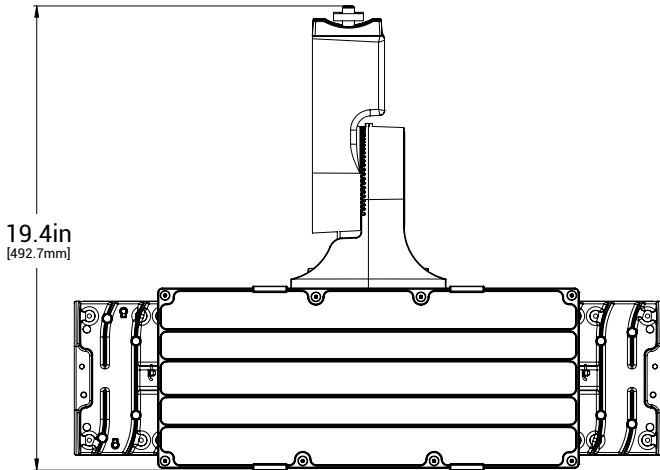
Dimensional & Mounting Details

PRODUCT FAMILY: LUMAVISION

MODEL: 4

MOUNT TYPE:

- AAJL (ADJUSTABLE ARM DIRECT POLE MOUNT)
- AAJC (ADJUSTABLE ARM DIRECT POLE MOUNT [CORD THROUGH HOUSING])



**WARNING:** Customer is responsible for engineering analysis to confirm pole and fixture compatibility for all applications. Refer to [Pole Drill Patterns Document](#) for additional support information.

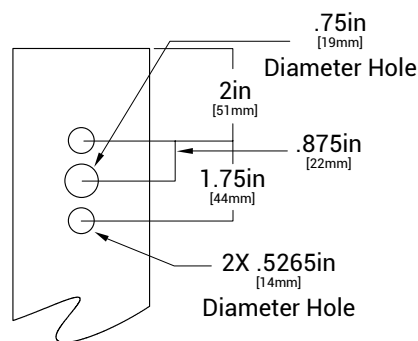
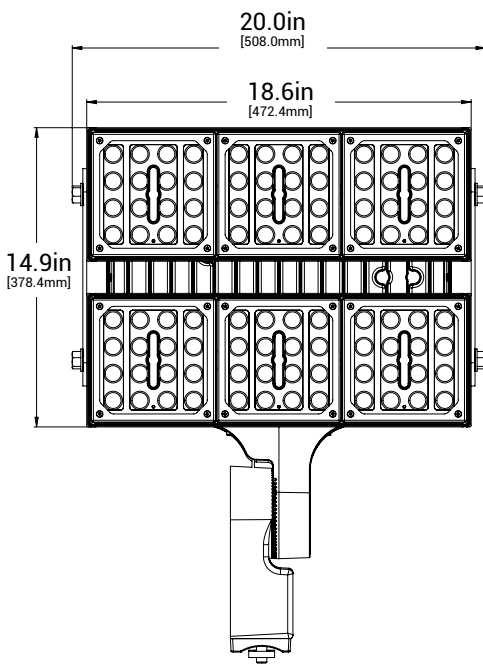
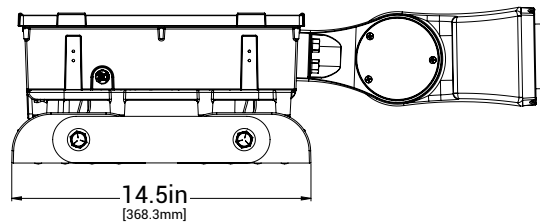
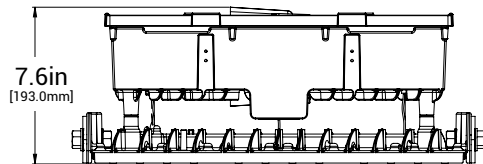
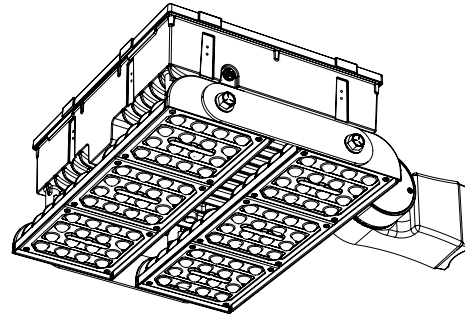
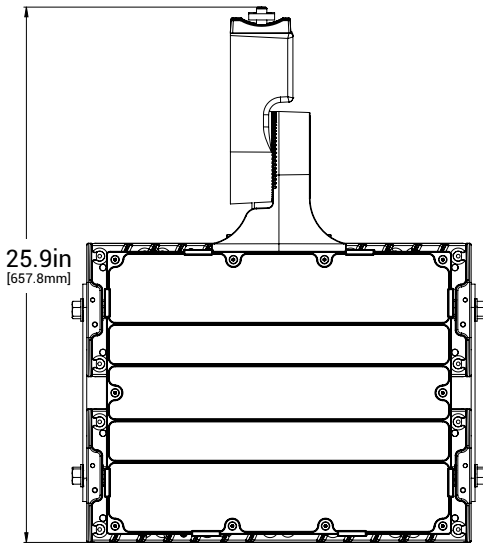
Dimensional & Mounting Details

PRODUCT FAMILY: LUMAVISION

MODEL: 6

MOUNT TYPE:

- AAJL (ADJUSTABLE ARM DIRECT POLE MOUNT)
- AAJC (ADJUSTABLE ARM DIRECT POLE MOUNT [CORD THROUGH HOUSING])



**WARNING:** Customer is responsible for engineering analysis to confirm pole and fixture compatibility for all applications. Refer to [Pole Drill Patterns Document](#) for additional support information.

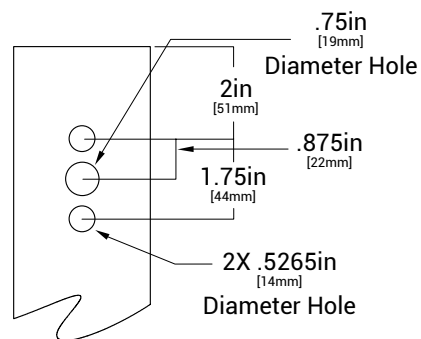
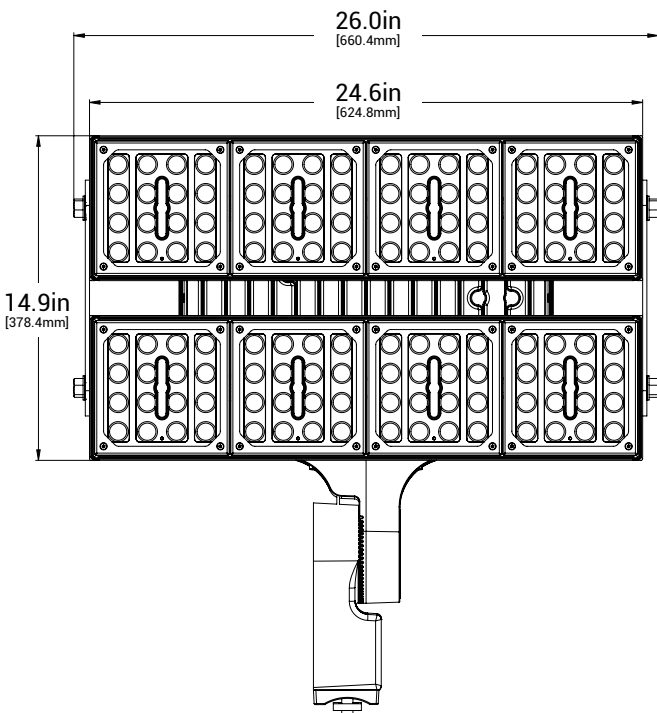
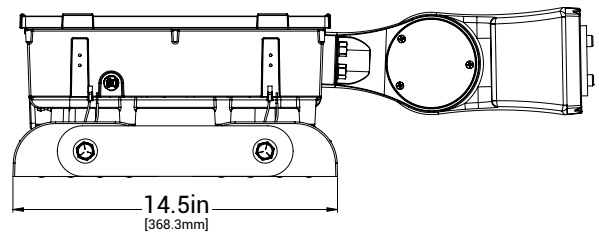
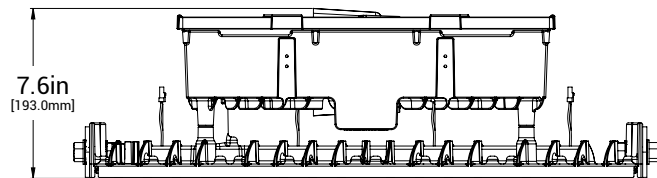
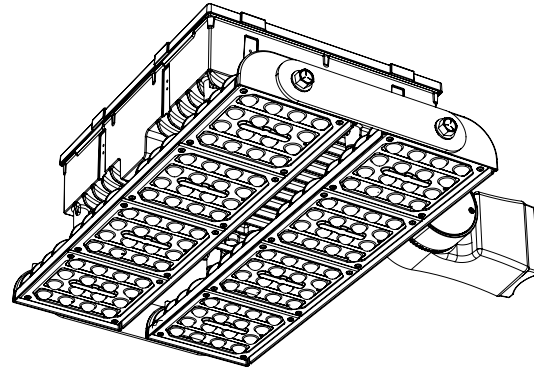
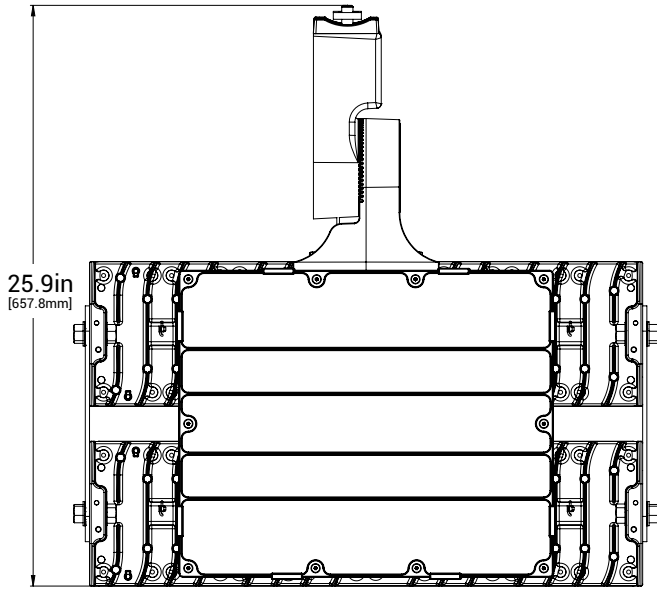
Dimensional & Mounting Details

PRODUCT FAMILY: LUMAVISION

MODEL: 7 & 8

MOUNT TYPE:

- AAJL (ADJUSTABLE ARM DIRECT POLE MOUNT)
- AAJC (ADJUSTABLE ARM DIRECT POLE MOUNT [CORD THROUGH HOUSING])

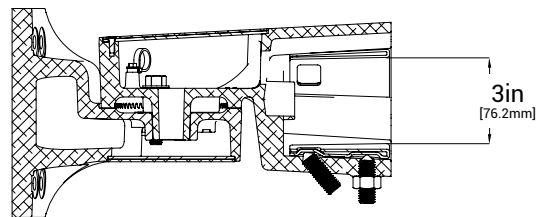
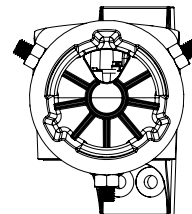
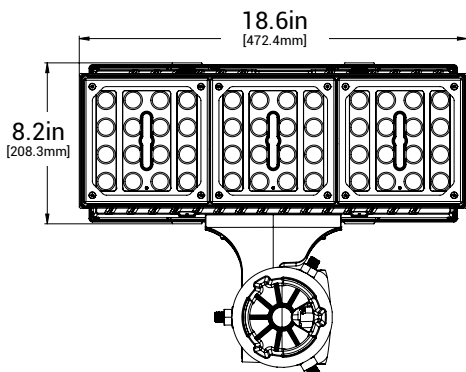
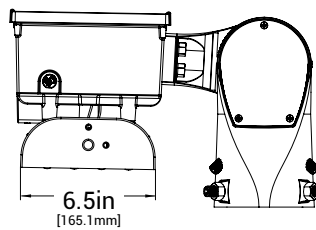
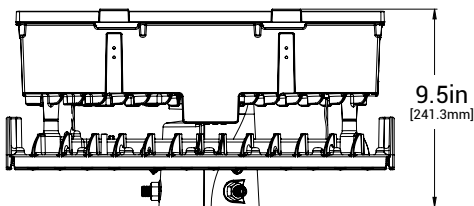
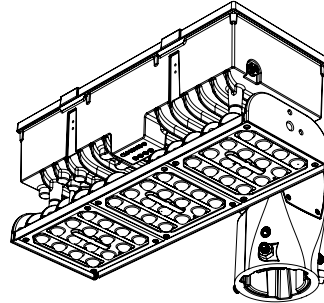
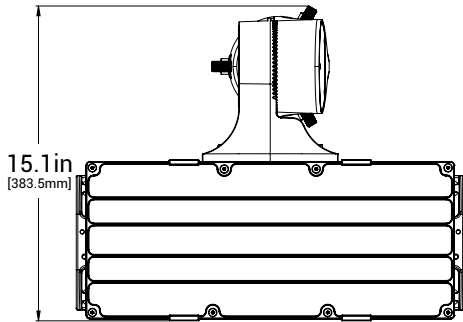


**WARNING:** Customer is responsible for engineering analysis to confirm pole and fixture compatibility for all applications. Refer to [Pole Drill Patterns Document](#) for additional support information.



Dimensional & Mounting Details

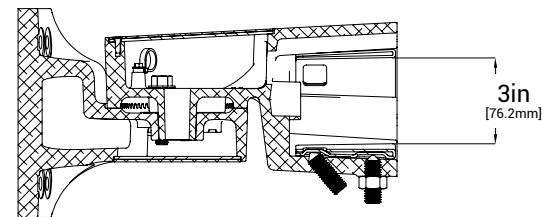
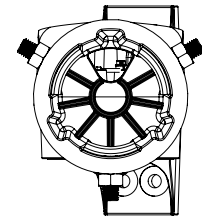
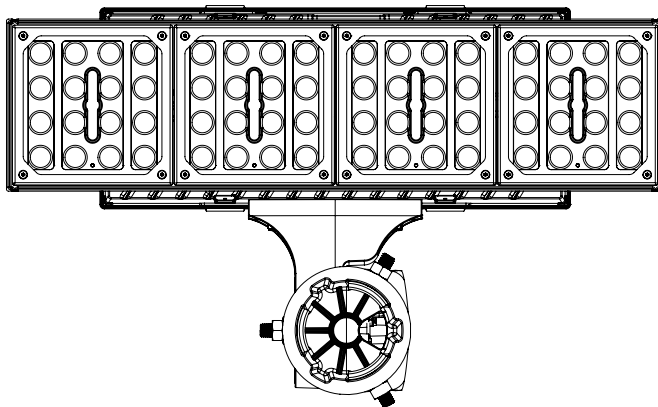
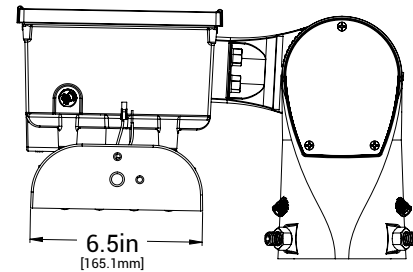
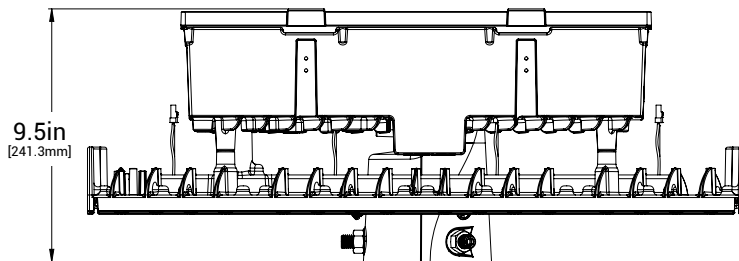
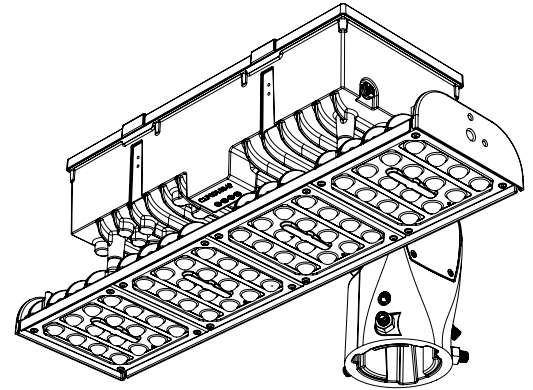
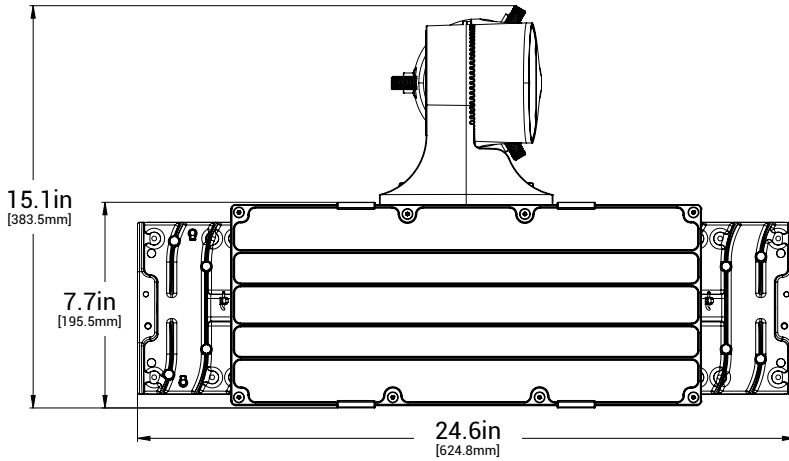
PRODUCT FAMILY: LUMAVISION  
 MODEL: 3  
 MOUNT TYPE: SLIPFITTER



**Note:** The slip fitter is only intended to mount on a vertical orientation with a suitable 3 inch diameter pole or accessory tenon top-per. For 2.375 inch tenon sizes, a separate spacer accessory is needed that isn't included with the standard unit.

Dimensional & Mounting Details

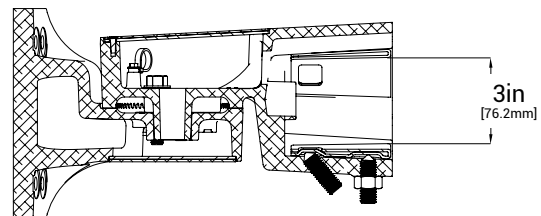
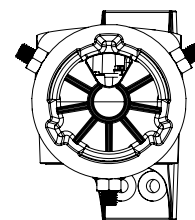
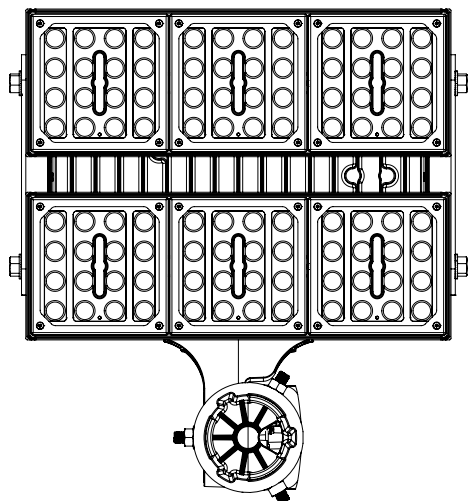
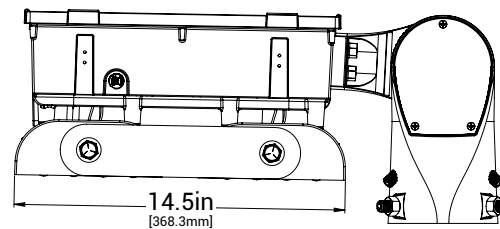
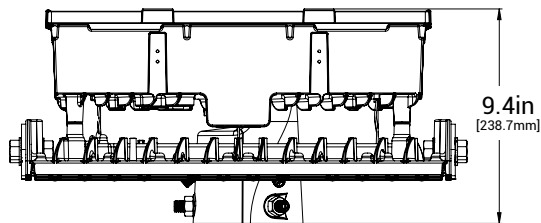
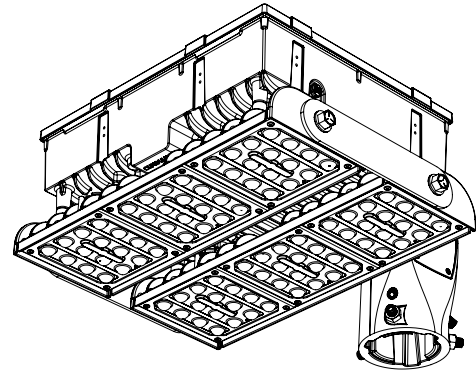
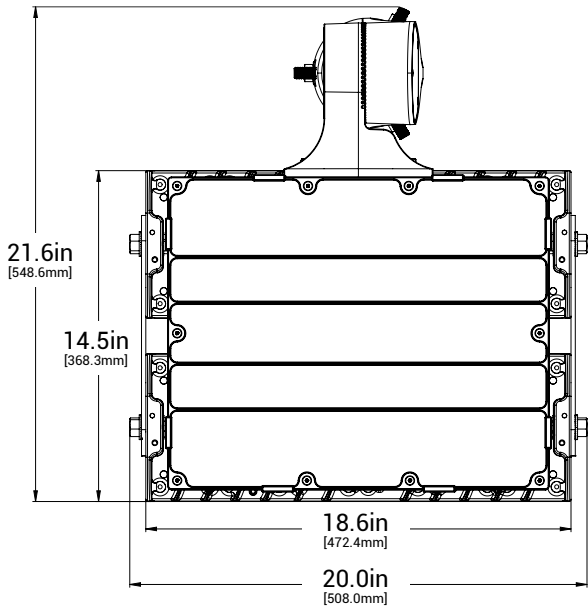
PRODUCT FAMILY: LUMAVISION  
 MODEL: 4  
 MOUNT TYPE: SLIPFITTER



**Note:** The slip fitter is only intended to mount on a vertical orientation with a suitable 3 inch diameter pole or accessory tenon topper. For 2.375 inch tenon sizes, a separate spacer accessory is needed that isn't included with the standard unit.

Dimensional & Mounting Details

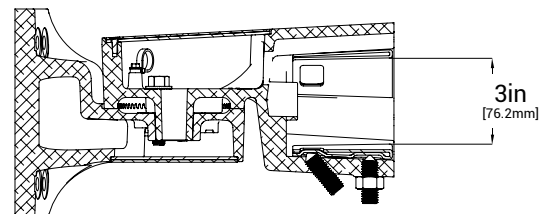
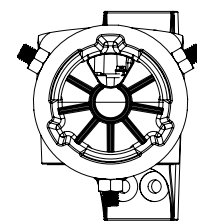
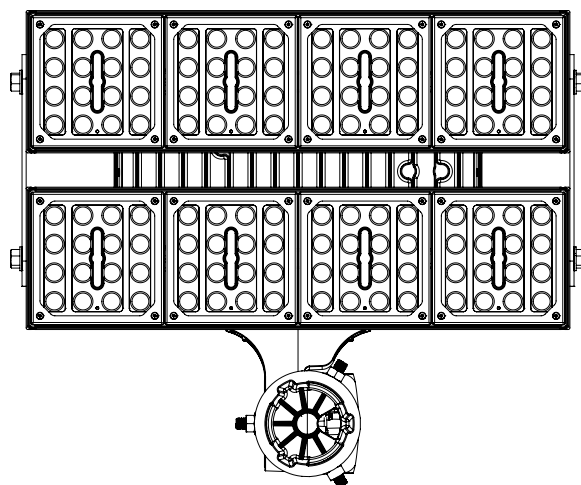
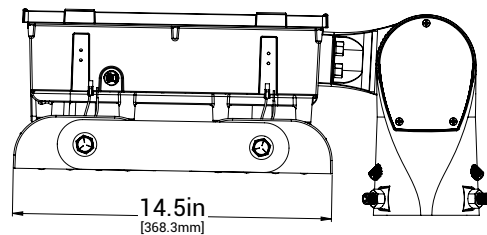
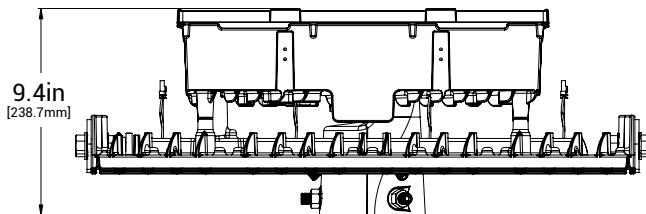
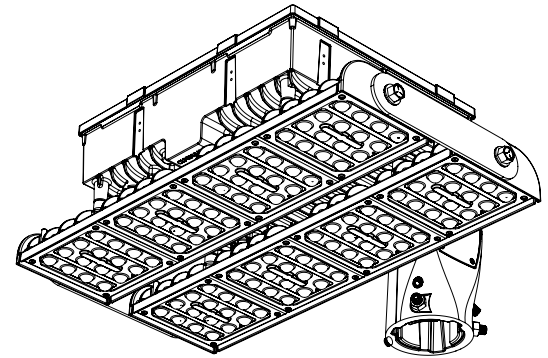
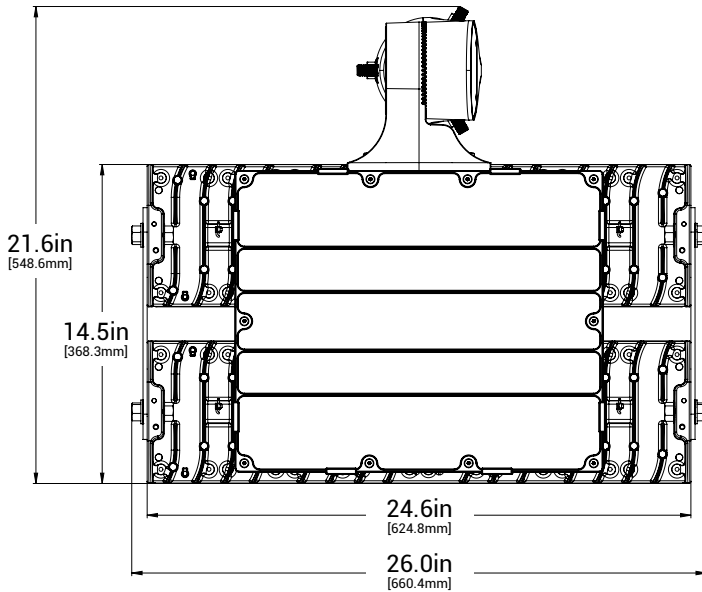
PRODUCT FAMILY: LUMAVISION  
 MODEL: 6  
 MOUNT TYPE: SLIPFITTER



**Note:** The slip fitter is only intended to mount on a vertical orientation with a suitable 3 inch diameter pole or accessory tenon topper. For 2.375 inch tenon sizes, a separate spacer accessory is needed that isn't included with the standard unit.

Dimensional & Mounting Details

PRODUCT FAMILY: LUMAVISION  
 MODEL: 7 & 8  
 MOUNT TYPE: SLIPFITTER



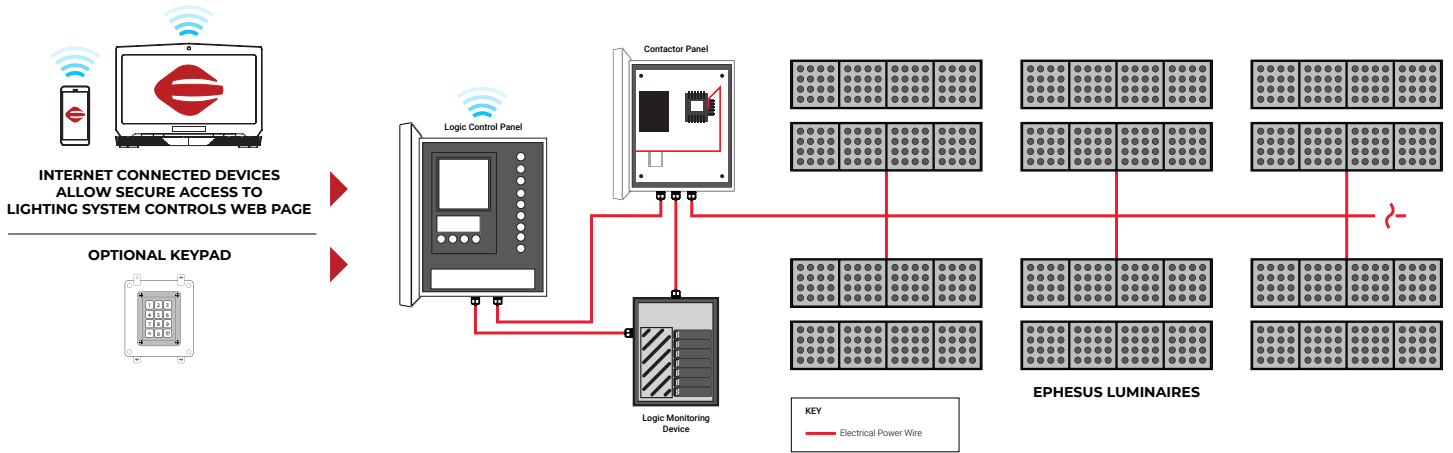
**Note:** The slip fitter is only intended to mount on a vertical orientation with a suitable 3 inch diameter pole or accessory tenon topper. For 2.375 inch tenon sizes, a separate spacer accessory is needed that isn't included with the standard unit.

### Example Topology: Recreation Management Controls

#### Controls Protocol: Contactor Controls

Example system topology showing the LUMAVISION System in a Wired Contactor Controls Installation.

Note: Laptop and mobile device not included. A cellular network connection requires a cellular carrier network plan.



### Example Topology: Wireless Controls

#### Controls Protocol: AirMesh

Example system topology showing the LUMAVISION System in a Wireless AirMesh Control Installation.

Note: Laptop and mobile device not included. A cellular network connection requires a cellular carrier network plan.

