

FLD6B/OR is being replaced with FLD6C/OR

Limited availability of FLD6B/OR components

DESCRIPTION

6 inch LED recessed downlight designed for **operating room** applications. Featuring a two-stage reflector with excellent light control and low aperture brightness. Lumen packages range from 1000 to 5000 with color temperatures of 3000K, 3500K, 4000K, and 5000K. Available with dim-to-warm technology, the 3000K LED warms smoothly as dimmed to 1850K, creating a warm glow within the space. IP66 compliant standard, NSF and MILSTD461G available.

SPECIFICATION FEATURES

Lower Shielding Reflector

Self-flanged, spun .050" thick aluminum lower reflector in combination with a lensed upper optical chamber provides superior lumen output with minimal source brightness.

Trim Retention

Retained with (4) counter sunk, philips head screws, holding the flange and bottom trim ring tightly to the housing. Bottom trim ring is standard antimicrobial matte white.

LED

High brightness LED's combined with a high reflectance upper reflector and convex lens for even distribution with no pixilation. Lumen output shall not decrease by more than 10% over the

minimum life of 55,000 hours (L90 > 55,000 hours). Auto resetting, thermally protected, LED's turn off when safe operating temperatures exceeded. Color variation within 3-step MacAdam ellipses. Disconnect allows for tool-less replacement of LED engine from below ceiling. Available 80, 90, or 97 CRI.

Driver

Combination 120-277V 0-10V or 120V trailing edge phase cut driver provides flicker free dimming from 100% to 10%. Optional for 1000-4000 lumens, 1% 0-10V. Driver can be serviced from above or through the aperture.

Lenses

Includes a non-removable upper lens, 0.060" thick frosted polycarbonate. Bottom trim ring lens is acrylic, 0.125" thick, with RFI grid.

Code Compliance

cULus listed for wet locations under covered ceiling standard. Non-IC rated insulation must be kept 3" from top and sides of housing. IP66 rated standard. NSF and MILSTD461G available. (MILSTD416G version is also compliant with both CE102 & RE102 requirements). Options to meet Buy American and other domestic preference requirements

Warranty

5 Year Warranty.



**FLD6B/OR /
FEU6B
F6LB**

LED

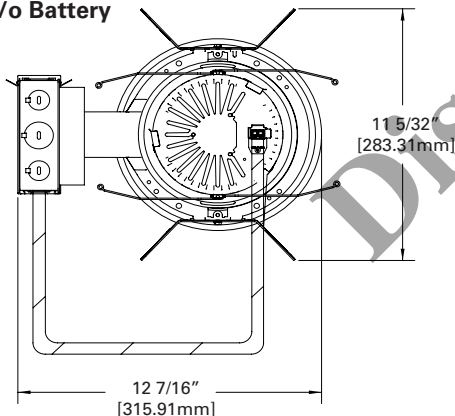
OPERATING ROOM

1000-5000 lumens

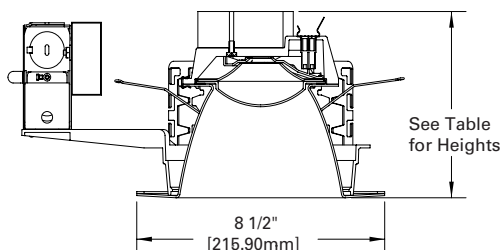
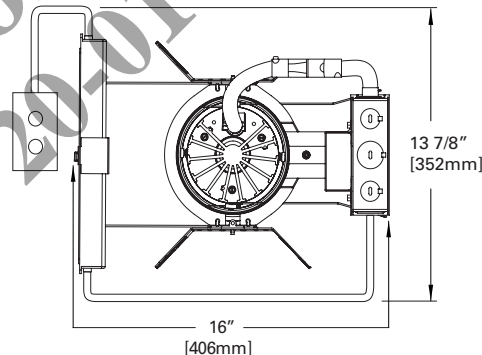
**Bottom Trim Ring
RFI Grid Lens**

**MILSTD461G Available
NSF Available
IP66 Rated**

**Top View
w/o Battery**



**Top View
w/ Battery**



**FLD6B/OR is being replaced with FLD6C/OR.
Limited availability of FLD6B/OR components.
Please refer to FLD6C/OR for specifying ordering.
Use the FLD6B/OR spec sheet for "B" to "C"
conversion.
September 2023**

D2W™



Refer to ENERGY STAR® Qualified Products List. Can be used to comply with California Title 24 High Efficacy requirements.



SAMPLE NUMBER: FLD6B/OR30DE010EMIL1

DOMESTIC PREFERENCES ⁹	HOUSING	Lumens ¹	Voltage	Driver	Options
Blank=Standard BAA=Buy American Act TAA=Trade Agreements Act	Operation Room Enclosed FLD6BX/OR=Housing, 6" OR FLD6BXC/P/OR=Housing, 6" OR Chicago Plenum	10=1000 lumens 15=1500 lumens 20=2000 lumens 30=3000 lumens 40=4000 lumens 50=5000 lumens ⁶	Blank=120-277 Voltage	1000 - 4000 Lumen D010=0-10V Dimming, 1% to 100%, 120V-277V DE010=0-10V Dimming, 0% to 100%, 120V-277V 5000 Lumen D010TE=0-10V 1% or Trailing Edge, 10% to 100%, 120V-277V (120V Only for Trailing Edge Dimming)	EMBOD=Bodine® Emergency Module with Remote Test Switch ³ IEMBOD=Bodine® Emergency Module with Integral Test Switch ³ MIL1=MILSTD461G Rated for Conducted Radiated Emissions ⁷

SAMPLE NUMBER: FEU6B3/58035

POWER MODULE	Lumen Levels ¹	CRI	Color		
FEU6B=6" Universal LED Module	1/2=1000, 1500, 2000 lumens 3/5=3000, 4000, 5000 lumens	80=80 CRI Minimum 90=90 CRI Minimum 97=97 CRI Minimum	80 CRI 27=2700K 30=3000K 35=3500K 40=4000K 50=5000K	90 CRI 24=2400K 27=2700K 30=3000K 35=3500K 40=4000K 50=5000K	97 CRI 27=2700K 30=3000K
Dim 2 Warm 109030D2W=1000 lumen, 90 CRI, Dim 2 Warm 159030D2W=1500 lumen, 90 CRI, Dim 2 Warm 209030D2W=2000 lumen, 90 CRI, Dim 2 Warm					

SAMPLE NUMBER: F6LBXSORM1LIBTR89BI

TRIM	Distribution ⁶	Flange	Finish	Options
F6LBXSOR=6" LED with Bottom Trim Ring	M=Medium (50° Beam), Spun Aluminum	1=Self-flanged	L=Specular Clear H=Semi-Specular Clear WMH=Warm Haze MW=Matte White AMF=Antimicrobial Matte White	E=Integral Emergency Test Switch Hole ⁵ FP=NSF Rated, Non-food, Splash Zone Bottom Trim Ring *required*⁸ BTR89BV=0.125" Clear Acrylic BTR89BI=0.125" Clear Acrylic with RFI grid ⁷ BTR89AV=0.125" Pattern 12 Acrylic with RFI grid ⁷ BTR89BC=0.125" Pattern 19 Acrylic with RFI grid ⁷

Accessories¹⁰

HSA6=Slope Adapter for 6" Aperture Housings, Specify Slope

Bar Hangers

HB26=C-channel Bar Hanger, 26" Long, Pair
HB50=C-channel Bar Hanger, 50" Long, Pair
RMB22=Wood Joist Bar Hanger, 22" Long, Pair

Transformers

H347=347 to 120V Step Down Transformer, 75VA
H347200=347 to 120V Step Down Transformer, 200VA

Notes:

- 1 Nominal Lumens will vary depending on selected color, driver and reflector finish.
- 2 Not available with Chicago Plenum.
- 3 ULus listed only.
- 4 Beam angles are nominal with LI finish trims.
- 5 Required with all IEMBOD housings.
- 6 Product is marked spacing and must be installed with the following minimum spacing.
- Center to center of adjacent luminaires: 36"
- Center of luminaire to side of building member: 18"
- Minimum overhead: 1/2"
- 7 MIL1 option requires the RFI grid lens
- 8 Bottom Trim Ring is required, it is not optional.
Standard finish for Bottom Trim Ring is AMF (antimicrobial matte white)
- 9 Only product configurations with these designated prefixes are built to be compliant with the Buy American Act of 1933 (BAA) or Trade Agreements Act of 1979 (TAA), respectively. Please refer to DOMESTIC PREFERENCES website for more information. Components shipped separately may be separately analyzed under domestic preference requirements.
- 10- Accessories sold separately will be separately analyzed under domestic preference requirements. Consult factory for further information.

ENERGY

ENERGY DATA	
Sound Rating: Class A standards	
(Values at non-dimming line voltage)	
Minimum Starting Temperature: -30°C (-22°F)	
EM/RFI: FCC Title 47 CFR, Part 15, Class B (Consumer)	
Input Voltage: UNV (120V - 277V)	
Power Factor: >0.90 (at nominal input 120-277 VAC & 100% of Rated Output Power)	
Input Frequency: 50/60Hz	

Lumens	120V		277V	
	Inrush (A)	Duration (ms)	Inrush (A)	Duration (ms)
1000 Lumen D010	1.02	0.041	2.18	0.021
1500 Lumen D010	1.02	0.042	2.24	0.064
2000 Lumen D010	1.02	0.077	2.43	0.027
3000 Lumen D010	1.15	0.067	3.26	0.027
4000 Lumen D010	1.2	0.088	3.9	0.03
5000 Lumen D010TE	5.1	0.132	10.2	0.153

1000 Lumen D010		1500 Lumen D010	
Input Power: 11W	THD: <14%	Input Power: 15.5W	THD: <13%
120V Input Current: 0.09A	277V Input Current: 0.04A	120V Input Current: 0.13A	277V Input Current: 0.06A
2000 Lumen D010		3000 Lumen D010	
Input Power: 21.2W	THD: <9%	Input Power: 27.6W	THD: <10%
120V Input Current: 0.18A	277V Input Current: 0.08A	120V Input Current: 0.23A	277V Input Current: 0.10A
4000 Lumen D010		5000 Lumen D010TE	
Input Power: 41.6W	THD: <13%	Input Power: 57.9W	THD: <14%
120V Input Current: 0.35A	277V Input Current: 0.15A	120V Input Current: 0.49A	277V Input Current: 0.22A

FLD6B/OR is being replaced with FLD6C/OR.
Limited availability of FLD6B/OR components.
Please refer to FLD6C/OR for specifying ordering.
Use the FLD6B/OR spec sheet for "B" to "C" conversion.
September 2023

SEALED/MEDICAL
BOTTOM TRIM RING
ENCLOSED

