

DESCRIPTION

The ClearPath™ Bollard from INVUE® uniquely brings a simple architectural style to pathway applications that delivers exceptional performance while enhancing the fabric of any setting. The safety glass encapsulates the WaveStream™ LED optics presenting a beautiful management of glare for improved visibility, while providing high levels of pathway illumination with the simple artistic form..

Catalog #		Type	
Project		Date	
Comments			
Prepared by			

SPECIFICATION FEATURES

Construction

Housing: Two-piece 42-inch matched-set IP65 low copper cast aluminum, maintains strength and precision while providing for rapid heat dissipation and vandal resistance in a superior simple form.

Illumination Surface: Encapsulated precision waveguide utilizing 0.19" thick optically efficient vandal resistant safety glass on each side. **BASE:** Rugged IP65, powder coated, for corrosion resistance, steel base mounts to foundation with four anchor bolts. Base features a pliable 1/16" thick silicone gap pad installed beneath the bottom of base allows for minor deviations in grade of concrete pad.

Electrical

LED driver are mounted to electrical tray for easy installation and maintenance for 120-277V 50/60Hz. Offered standard with 0-10V dimming driver and

Cooper Lighting Solutions' circuit module designed to withstand 10kV of transient line surge. Luminaire is suitable for ambient temperature applications from -40°C (-22°F) to 40°C (104°F).

Optics

Three unique distributions offered, asymmetric-double, asymmetric-single, and symmetric (see iso-footcandle diagrams below), using patented WaveStream LED optical technology. The optical waveguide is manufactured using precision injection molded acrylic for the ultimate level of glare control, visual comfort, and efficiency. Offered in minimum 70 CRI 4000K and minimum 80 CRI 3000K.

Mounting

Luminaire is mounted to four 3/8" anchor bolts, which can be located using the template provided, to withstand a 275-pound overturn moment. The combinations of the

installation instructions, template, and luminaire marketing assure a simple an proper installation.

Finish

Cooper Lighting Solutions utilizes premium ultra-weatherable TGIC based polyester powder coatings that are specifically formulated to withstand extended outdoor exposure. The powders are formulated exclusively for Cooper Lighting Solutions to serve functionally as well as decorative. Good film appearance combined with excellent mechanical an exterior exposure qualities display greater than twice as much gloss retention. RAL and custom color matches available. Coastal construction finish is available. Options to meet Buy American Act requirements.

Warranty

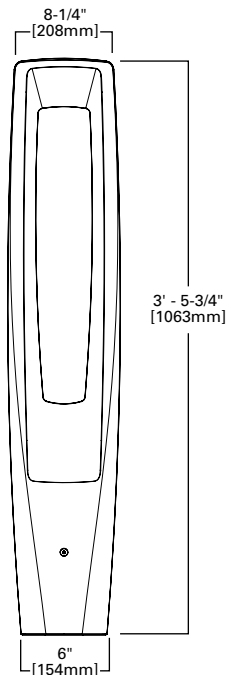
Five-year warranty.



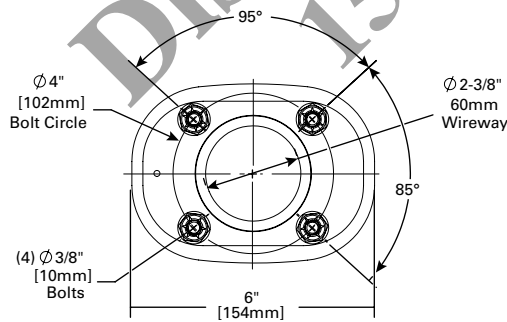
CPB CLEARPATH BOLLARD

PATHWAY LUMINAIRE

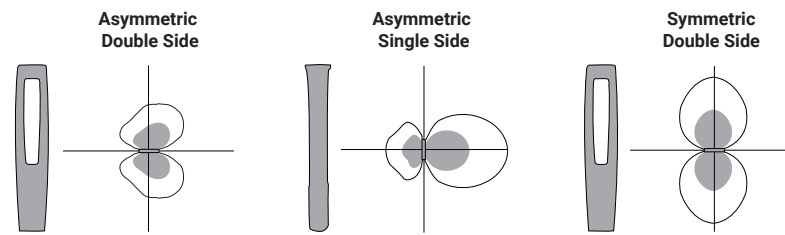
DIMENSIONS



BOLT CIRCLE ORIENTATION



OPTICAL CONFIGURATIONS



- = Optical Distribution
- = Optical Distribution
- = WaveStream™ Orientation



CERTIFICATION DATA

UL/cUL Listed
RoHS
FCC Class A
ASTM A356.0 Low Copper Alloy
ISO 9001
IP65 Rated

ENERGY DATA

Electronic LED Driver
>0.9 Power Factor
<20% Total Harmonic Distortion
120-277V 50/60Hz
-40°C to 40°C Ambient Temperature Rating

Approximate Net Weight:
33.1 lbs. [15 kgs.]

ORDERING INFORMATION

Sample Number: CPB-VA1-42-830-U-AD-GM

Product Family	Lumen Output ¹	Nominal Height	Color Temperature	Voltage	Distribution	Color
CPB=ClearPath Bollard BAA-CPB=ClearPath Bollard Buy American Act Compliant ⁶	VA1	42=42"	740=70CRI, 4000K 830=80CRI, 3000K	U=UNV (120-277V) ¹ 1=120 2=208 3=240 4=277	AD=Asymmetric Double Side AS=Asymmetric Single Side SY=Symmetric	AP=Grey BK=Black BZ=Bronze DP=Dark Platinum GM=Graphite Metallic WH=White RALxx=Custom Color (Specify RAL number) ²
Options (Add as Suffix)					Accessories (Order Separately) ⁷	
F=Singled fused (Must specify voltage, fused on single hot leg of 120 or 277) FF=Double fused (Must specify voltage, fused on both hot legs of 208 or 240) CC=Coastal Construction ³					CPBAncor=Anchor Bolt Kit and Template ^{4,5}	

- NOTES:**
- Dimming driver standard.
 - RAL and custom color matching available. Consult your lighting representative at Cooper Lighting Solutions for more information.
 - Post-coating over the primary finish providing 7,000+ salt spray hours. Extended lead-times can be 4 -10 additional weeks.
 - Templates for all three distributions are included.
- IMPORTANT:**
- Prior to installation, please follow luminaire installation instructions and orientation guidance by distribution provided on the base of the luminaire.
 - Only product configurations with this designated prefix are built to be compliant with the Buy American Act of 1933 (BAA). Please refer to [DOMESTIC PREFERENCES](#) website for more information. Components shipped separately may be separately analyzed under domestic preference requirements.
 - Accessories sold separately will be separately analyzed under domestic preference requirements. Consult factory for further information.

LUMEN MULTIPLIER

Ambient Temperature	Lumen Multiplier
0°C	1.02
10°C	1.01
25°C	1.00
40°C	0.99

LUMEN MAINTENANCE (TM-21)

Ambient Temperature	25,000 Hours*	50,000 Hours*	TM-21 Lumen Maintenance 60,000 Hours*	100,000 Hours**	Theoretical L70 (Hours)**
40°C	99.20%	97.39%	96.70%	93.88%	499,000
25°C	97.38%	93.83%	92.44%	87.10%	247,000

- NOTES:**
- *Supported by IES TM-21 standards
 - ** Theoretical values represent estimations commonly used; however, refer to the IES position on LED Product Lifetime Prediction, IES PS-10-18, that explains proper use of IES TM-21 and LM-80.

POWER AND LUMENS

Light Engine	VA1
Power Watts	22.7
Current (A) @ 120V	0.192
Current (A) @ 277V	0.086

OPTICS

AD (Asymmetric Double Side)	80 CRI / 3000K	467
	BUG Rating	B0-U3-G1
	70 CRI / 4000K	700
	BUG Rating	B0-U3-G1
AS (Asymmetric Single Side)	80 CRI / 3000K	584
	BUG Rating	B0-U3-G1
	70 CRI / 4000K	875
	BUG Rating	B0-U3-G2
SY (Symmetric)	80 CRI / 3000K	691
	BUG Rating	B0-U3-G1
	70 CRI / 4000K	1036
	BUG Rating	B1-U3-G1