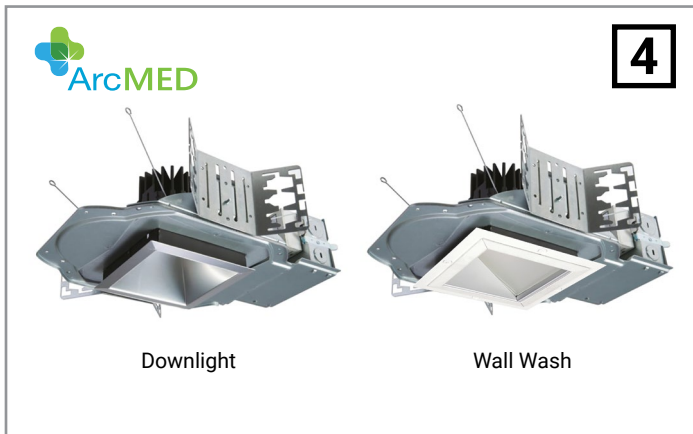


Project		Catalog #		Type	
Prepared by		Notes		Date	



## Fail-Safe



### FLDSQ4C

4" Square Downlight  
Sealed/Medical and High Abuse  
250-7500 Lumens

#### Typical Applications

Office • Education • Healthcare • Hospitality • Retail • Public Spaces • Sports Venues

#### Interactive Menu

- Order Information [page 2](#)
- Photometric Data [page 3](#)
- Dimensional & Mounting Details [page 4](#)
- Energy Data [page 5](#)
- Product Specifications [page 6](#)
- Product Warranty

#### Product Certification



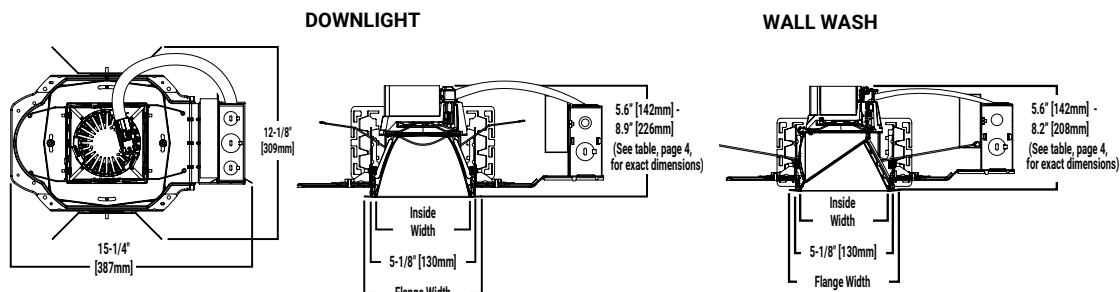
#### Product Features



### Top Product Features

- Sealed/Medical version incorporates a fully gasketed trim/reflector, to provide a tight seal. Sealed/Medical version is NSF/ANSI 2 listed.
- High abuse version uses (4) Torx T20 tamper resistant screws to secure the trim/reflector to the housing. Standard frosted polycarbonate upper lens for added protection
- 250-7500 lumens; Offered in standard 90 and 97 CRI
- Die-cast or anodized aluminum reflectors. Dead front (non-conductive) available
- Standard 0-10V driver dims to 1%; Easy disconnect for LED engine replacement and installation
- 2400K, 2700K, 3000K, 3500K, 4000K, 5000K; D2W™ option from 3000K to 1850K
- Available W2N tunable white CCT range 2700K to 6500K or 2000K to 5000K

### Dimensional and Mounting Details (See page 4 for more information)



[CLICK HERE](#)  
dimension information

## 1. Housing

SAMPLE ORDER NUMBER: **FLDSQ4C-SM-25-DE010**  
 SAMPLE ORDER NUMBER: **FLDSQ4C-SM-50-D2W-D010**

SAMPLE ORDER NUMBER: **FLDSQ4C-HA-10-D010**  
 SAMPLE ORDER NUMBER: **FLDSQ4C-HA-DE010-W2N-2765**

Domestic Preferences <sup>(1)</sup>	Housing	Lumen <sup>(2)</sup>			Color Control
<b>[Blank]</b> =Standard <b>BAA</b> =Buy American Act <b>TAA</b> =Trade Agreements Act  <b>Notes</b> (1) Only product configurations with these designated prefixes are built to be compliant with the Buy American Act of 1933 (BAA) or Trade Agreements Act of 1979 (TAA), respectively. Please refer to <a href="#">DOMESTIC PREFERENCES</a> website for more information. Components shipped separately may be separately analyzed under domestic preference requirements.	<b>Sealed/Medical</b> <b>FLDSQ4C-SM-4"</b> Square Housing, Sealed/Medical <b>FLDSQ4CCP-SM-4"</b> Square Housing, Chicago Plenum, Sealed/Medical  <b>High Abuse</b> <b>FLDSQ4C-HA-4"</b> Square Housing, High Abuse <b>FLDSQ4CCP-HA-4"</b> Square Housing, Chicago Plenum, High Abuse	<b>02</b> =250 lumens <b>05</b> =500 lumens <b>08</b> =800 lumens <b>10</b> =1000 Lumens <b>15</b> =1500 Lumens <b>20</b> =2000 Lumens	<b>25</b> =2500 lumens <b>30</b> =3000 Lumens <b>35</b> =3500 lumens <b>40</b> =4000 Lumens <b>45</b> =4500 Lumens <sup>(3)</sup> <b>50</b> =5000 Lumens <sup>(3)</sup>	<b>55</b> =5500 Lumens <sup>(3)</sup> <b>60</b> =6000 Lumens <sup>(3)</sup> <b>65</b> =6500 Lumens <sup>(3)</sup> <b>70</b> =7000 Lumens <sup>(3)</sup> <b>75</b> =7500 Lumens <sup>(3)</sup>	<b>D2W</b> =Dim to warm for 800-2500, 3500-4500 lumens, 90CRI > If not D2W, leave blank > Not available with tunable white (W2N) driver > Check driver types for D2W lumen package ranges

Driver	Options <sup>(30) (31)</sup>
<b>D010</b> =0-10V Dimming, 1% to 100%, 120V-277V, up to 7000 lumens (up to 3000 lumens for remote driver). <b>D2W=800-2500 lumens</b> <b>1D010</b> =0-10V Dimming, 1% to 100%, 120V, 7500 lumens (3500 to 7000 lumens for remote driver). <b>D2W=3500-4500 lumens</b> <b>2D010</b> = 0-10V Dimming, 1% to 100%, 277V, 7500 lumens (3500 to 7000 lumens for remote driver). <b>D2W=3500-4500 lumens</b> <b>3D010</b> = 0-10V Dimming, 1% to 100%, 347V dedicated drivers for 800 to 4000 lumens; 250,500,4500 & above use step down transformer. <b>D2W=800-2500 lumens, 3500 and above use step down transformer and dedicated driver.</b> <b>1 driver:</b> 250-7000, <b>D2W=250-2500 lumens</b> / <b>2 drivers:</b> 7500, <b>D2W=3500-4500 lumens</b>	<b>EMBOD</b> =Bodine® Emergency Module with Remote Test Switch <sup>(10)</sup> <b>EM7</b> =7W Emergency Module with Remote Test Switch <b>EM14</b> =14W Emergency Module with Remote Test Switch <b>IEMBOD</b> =Bodine® Emergency Module with Integral Test Switch <sup>(10) (22)</sup> <b>EM7</b> =7W Emergency Module with Integral Test Switch <sup>(22)</sup> <b>IEM14</b> =14W Emergency Module with Integral Test Switch <sup>(22)</sup> <b>ETRD</b> =Emergency transfer device <sup>(32)</sup>  <b>Notes:</b> 1. Only product configurations with these designated prefixes are built to be compliant with the Buy American Act of 1933 (BAA) or Trade Agreements Act of 1979 (TAA) 2. Nominal Lumens will vary depending on selected color, CRI, driver and reflector finish. Reference <a href="#">Multiplier tables</a> . 3. Product is marked spacing. <a href="#">Reference table on page 6 for the spacing details</a> . 10. Not available with W2N or 6500-7000 lumens with 90 and 97CRI 16. DFSQ only available in self-flanged MW finish 17. Offered up to 2000 lumens 18. Flange is the same finish as the reflector 20. Anodized or spun reflectors 21. MB & MMS available only on CSSQ distribution, die cast aluminum. 22. Available with SQ and SQW open anodized Aluminum trims. Required for use with all IEMBOD, IEM7, IEM14 housings. 25. Accessories sold separately will be separately analyzed under domestic preference requirements. Consult factory for further information. 30. Not available with Chicago Plenum 31. 120V-277V 32. Used to bypass local control during outage. Must be used in conjunction with UL 1008 device (provided by others) 33. IC rated for 800 lumens 34. IC rated for 1000 lumens
<b>DE010</b> = 0-10V Dimming, 0% to 100%, 120V-277V, 500-7000 lumens (up to 3000 lumens for remote driver). <b>D2W=800-2500 lumens</b> <b>1DE010</b> = 0-10V Dimming, 0% to 100%, 120V, 7500 lumens (3500 to 7000 lumens for remote driver). <b>D2W=3500-4500 lumens</b> <b>2DE010</b> = 0-10V Dimming, 0% to 100%, 277V, 7500 lumens (3500 to 7000 lumens for remote driver). <b>D2W=3500-4500 lumens</b> <b>3DE010</b> = 0-10V Dimming, 0% to 100%, 0-10V Dimming, 347V step down transformer, 500-7500 lumens. <b>D2W=800-2500 &amp; 3500-4500 lumens</b> <b>1 driver:</b> 500-7000, <b>D2W=250-2500 lumens</b> / <b>2 drivers:</b> 7500, <b>D2W=3500-4500 lumens</b>	
<b>D5LT</b> =Fifth Light® (DALI T6) Logarithmic Dimming, 0% to 100%, 120V-277V, 500-7000 lumens (up to 3000 lumens for remote driver) <b>D2W=800-2500 lumens</b> <b>1D5LT</b> =Fifth Light® (DALI T6) Logarithmic Dimming, 0% to 100%, 120V, 7500 lumens (3500 to 7000 lumens for remote driver). <b>D2W=3500-4500 lumens</b> <b>2D5LT</b> =Fifth Light® (DALI T6) Logarithmic Dimming, 0% to 100%, 277V, 7500 lumens (3500 to 7000 lumens for remote driver). <b>D2W=3500-4500 lumens</b> <b>3D5LT</b> =Fifth Light® (DALI T6) Logarithmic Dimming, 0% to 100% 347V step down transformer, 500-7500 lumens <b>1 driver:</b> 500-7000, <b>D2W=250-2500 lumens</b> / <b>2 drivers:</b> 7500, <b>D2W=3500-4500 lumens</b>	
<b>DLE</b> =Lutron Ecosystem dimming 1% to 100%, 120V-277V, 800-3500 lumens (up to 3000 lumens for remote driver). <b>D2W=800-2500 lumens</b> <b>1DLE</b> =Lutron Ecosystem dimming 1% to 100%, 120V, 4000-7500 lumens (3500 lumens for remote driver). <b>D2W=3500-4500 lumens</b> <b>2DLE</b> =Lutron Ecosystem dimming 1% to 100%, 277V, 4000-7500 lumens (3500 lumens for remote driver). <b>D2W=3500-4500 lumens</b> <b>3DLE</b> =Lutron Ecosystem dimming 1% to 100%, 347V, step down transformer, 800-7500 lumens. <b>D2W=800-2500 &amp; 3500-4500 lumens</b> <b>1 driver:</b> 800-3500, <b>D2W=800-2500 lumens</b> / <b>2 drivers:</b> 4000-7500, <b>D2W=3500-4500 lumens</b>	
<b>DE010-W2N-2765</b> =Tunable white 2700-6500K, 0-10V Dimming, 0% to 100%, 120-277V, 1000 lumens <b>1DE010-W2N-2765</b> =Tunable white 2700-6500K, 120V, 0-10V Dimming, 0% to 100%, 1500-3500 lumens <b>2DE010-W2N-2765</b> =Tunable white 2700-6500K, 277V, 0-10V Dimming, 0% to 100%, 1500-3500 lumens <b>3DE010-W2N-2765</b> =Tunable white 2700-6500K, 347V with step down transformer, 0-10V Dimming, 0% to 100%, 1000-3500 lumens <b>1 driver:</b> 1000-3500 lumens	
<b>DE010-W2N-2050</b> =Tunable white 2000-5000K, 0-10V Dimming, 0% to 100%, 120-277V, 1000 lumens <b>1DE010-W2N-2050</b> =Tunable white 2000-5000K, 120V, 0-10V Dimming, 0% to 100%, 1500-3500 lumens <b>2DE010-W2N-2050</b> =Tunable white 2000-5000K, 277V, 0-10V Dimming, 0% to 100%, 1500-3500 lumens <b>3DE010-W2N-2050</b> =Tunable white 2000-5000K, 347V with step down transformer, 0-10V Dimming, 0% to 100%, 1000-3500 lumens <b>1 driver:</b> 1000-3500 lumens	
<b>D5LT-W2N-2765</b> =Tunable white 2700-6500K, 120V-277V Fifth Light® (DALI T6) Dimming, 0% to 100%, 120-277V, 1000 lumens <b>1D5LT-W2N-2765</b> =Tunable white 2700-6500K, 120V Fifth Light® (DALI T6) Dimming, 0% to 100%, 1500-3500 lumens <b>2D5LT-W2N-2765</b> =Tunable white 2700-6500K, 277V Fifth Light® (DALI T6) Dimming, 0% to 100%, 1500-3500 lumens <b>3D5LT-W2N-2765</b> =Tunable white 2700-6500K, 347V Fifth Light® (DALI T6) Dimming, 0% to 100%, 1000-3500 lumens <b>1 driver:</b> 1000-3500 lumens	
<b>D5LT-W2N-2050</b> =Tunable white 2000-5000K, 120V-277V Fifth Light® (DALI T6) Dimming, 0% to 100%, 120-277V, 1000 lumens <b>1D5LT-W2N-2050</b> =Tunable white 2000-5000K, 120V Fifth Light® (DALI T6) Dimming, 0% to 100%, 1500-3500 lumens <b>2D5LT-W2N-2050</b> =Tunable white 2000-5000K, 277V Fifth Light® (DALI T6) Dimming, 0% to 100%, 1500-3500 lumens <b>3D5LT-W2N-2050</b> =Tunable white 2000-5000K, 347V with step down transformer Fifth Light® (DALI T6) Dimming, 0% to 100%, 1000-3500 lumens <b>1 driver:</b> 1000-3500 lumens	

Continued on next page.

## 2. Power Module

SAMPLE ORDER NUMBER: **FEU4C-1020-90-35**

SAMPLE ORDER NUMBER: **FEU4C-0825-90-30-D2W**

SAMPLE ORDER NUMBER: **FEU4C-4560-97-30**

Domestic Preferences <sup>(1)</sup>	Power Module	Lumen Levels <sup>(2)</sup>	CRI <sup>(2)</sup>	Color
<b>[Blank]</b> =Standard <b>BAA</b> =Buy American Act <b>TAA</b> =Trade Agreements Act	<b>FEU4C</b> =4-inch Universal LED Module	<b>For use with one driver</b> <b>0208IC</b> =250, 500, 800 lumens, IC Rated (for use with all drivers, min 500 lumen with DE010 and D5LT, min 800 lumens with Lutron) <b>1020</b> = 1000, 1500, 2000 lumens <b>1015IC</b> =1000, 1500 lumens IC Rated <b>2540</b> =2500, 3000, 3500, 4000 lumens (For use with Lutron 3000-3500, DLVP 3000 lumens, D010, D5LT and DE010 3000-4000) <b>4560</b> =4500, 5000, 5500, 6000 lumens (For use with 4500 lumens, D010, D5LT and DE010 4500-6000) <sup>(3)</sup> <b>6570</b> =6500, 7000 lumens (For use with D010, D5LT and DE010) <sup>(3)</sup>  <b>For use with two drivers</b> <b>4075</b> =4000, 4500, 5000, 5500, 6000, 6500, 7000, 7500 lumens (For use with Lutron 4000-7500, D010, D5LT & DE010 7500 lumen) <sup>(3)</sup>	<b>90</b> =90 CRI Minimum <b>97</b> =97 CRI Minimum	<b>90 CRI</b> <b>24</b> =2400K <b>27</b> =2700K <b>30</b> =3000K <b>35</b> =3500K <b>40</b> =4000K <b>50</b> =5000K
<b>Notes</b> (1) Only product configurations with these designated prefixes are built to be compliant with the Buy American Act of 1933 (BAA) or Trade Agreements Act of 1979 (TAA), respectively. Please refer to <a href="#">DOMESTIC PREFERENCES</a> website for more information. Components shipped separately may be separately analyzed under domestic preference requirements.	<b>Dim 2 Warm</b> <b>0825-90-30-D2W</b> =800-2500 lumen, 90 CRI, Dim 2 Warm (1 driver and 1 LED) <sup>(33)</sup> <b>3545-90-30-D2W</b> =3500-4500 lumen, 90 CRI, Dim 2 Warm (2 drivers and LEDs)  <b>Tunable white</b> <b>1030-W2N-90-2765</b> =1000, 1500, 2000, 2500, 3000 lumens, 90 CRI, tunable white 2700K-6500K <sup>(34)</sup> <b>1030-W2N-90-2050</b> =1000, 1500, 2000, 2500, 3000 lumens, 90 CRI, tunable white 2000K-5000K <sup>(34)</sup> <b>35-W2N-90-2765</b> =3500 lumens, 90 CRI, tunable white 2700K-6500K <sup>(3)</sup> <b>35-W2N-90-2050</b> =3500 lumens, 90 CRI, tunable white 2000K-5000K <sup>(3)</sup>	Not necessary to specify CRI and color for Dim 2 warm and Tunable white.		

## 3. Trim/Reflector

SAMPLE ORDER NUMBER: **F4LC-SQ-SM-1-LI**

SAMPLE ORDER NUMBER: **F4LC-SQW-HA-1-WMH**

SAMPLE ORDER NUMBER: **F4LC-DFSQ-SM-1-LI**

Trim	Reflector/Distribution	Type	Flange	Finish	Options
<b>F4LC</b> =4" LED	<b>HA or SM</b> (HA=High Abuse / SM=Sealed/Medical) <b>SQ</b> =Square Anodized Aluminum <b>SQW</b> =Square Wide Anodized Aluminum  <b>SM only</b> (SM=Sealed/Medical) <b>CSSQ</b> =Cast Shallow Square, Die Cast Aluminum <sup>(34)</sup> <b>DFSQ</b> =Plastic Shallow Non-Conductive, Dead Front <sup>(16),(17)</sup> <b>SQWW</b> =Square Anodized Aluminum Lensed Wall Wash <sup>(34)</sup>	<b>SM</b> =Sealed/Medical <b>HA</b> =High Abuse  <b>Notes</b> NSF listing applicable on the SM (Sealed/Medical) only.	<b>1</b> =Self flanged <sup>(18)</sup> <b>2</b> =White painted self flanged	<b>LI</b> =Specular Clear <sup>(20)</sup> <b>H</b> =Semi-Specular Clear <sup>(20)</sup> <b>WMH</b> =Warm Haze <sup>(20)</sup> <b>WH</b> =Wheat <sup>(20)</sup> <b>GPH</b> =Graphite Haze <sup>(20)</sup> <b>B</b> =Specular Black <sup>(20)</sup> <b>MW</b> =Matte White, Antimicrobial <b>MB</b> =Matte Black <sup>(21)</sup> <b>MMS</b> =Matte Metallic Silver <sup>(21)</sup>	<b>E</b> =Integral Emergency Test Switch Hole <sup>(22)</sup>

### Accessories (Order separately) <sup>(25)</sup>

<b>Bar Hangers</b> <b>HB26</b> =C-channel Bar Hanger, 26" Long, Pair <b>HB50</b> =C-channel Bar Hanger, 50" Long, Pair <b>RMB22</b> =Wood Joist Bar Hanger, 22" Long, Pair	<b>Transformers</b> <b>H347</b> =H347 for 5500 lumens and below <b>H347200</b> =347 to 120V Step Down Transformer, 200VA
---	--

### Photometric Multipliers (Nominal Lumen Values)

250 Lumen	500 Lumen	800 Lumen	1000 Lumen	1500 Lumen	2000 Lumen	2500 Lumen	3000 Lumen	3500 Lumen
0.22	0.42	0.57	0.65	1.00	1.29	1.62	1.90	2.25
4000 Lumen	4500 Lumen	5000 Lumen	5500 Lumen	6000 Lumen	6500 Lumen	7000 Lumen	7500 Lumen	
2.61	3.02	3.42	3.82	4.13	4.32	4.54	5.34	

Multipliers for relative lumen values with other series models.

### CCT Multipliers – 90CRI

2400K	2700K	3000K	3500K	4000K	5000K
0.912	0.949	0.986	1	1.001	1.022

Multipliers for relative lumen values with other series color temperatures.

### CCT Multipliers – 97CRI

2700K	3000K	3500K	4000K	5000K
0.889	0.955	1	1.016	1.07

Multipliers for relative lumen values with other series color temperatures.

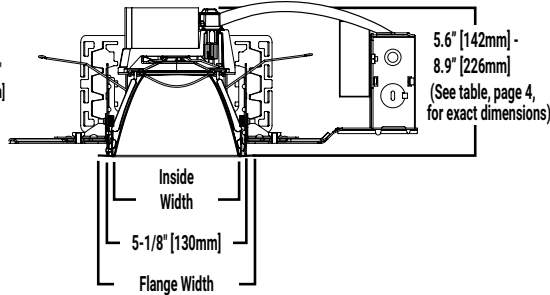
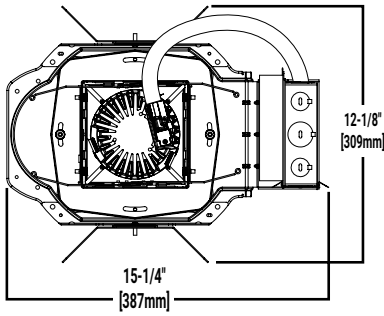
### Color Finish Multipliers

Finish code	LI	H	WMH	WH	GPH	B	MW
Finish	Specular Clear	Semi-Specular Clear	Warm Haze	Wheat	Graphite Haze	Specular Black	Matte White
Multiplier	1.26	1.0	1.06	1.11	0.83	0.62	1.11

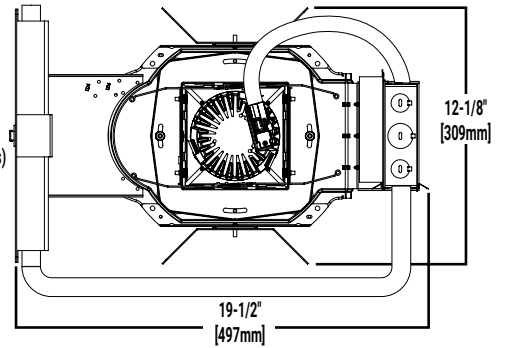
Multipliers for relative lumen values with other color finishes.

## Dimensional and Mounting Details

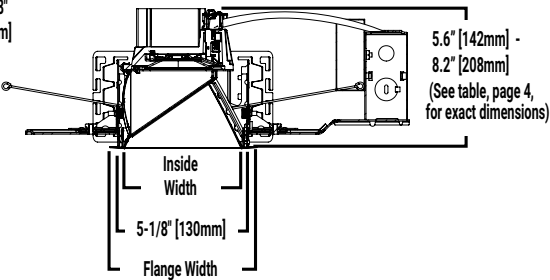
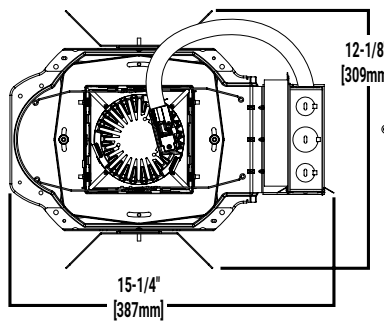
### DOWNLIGHT



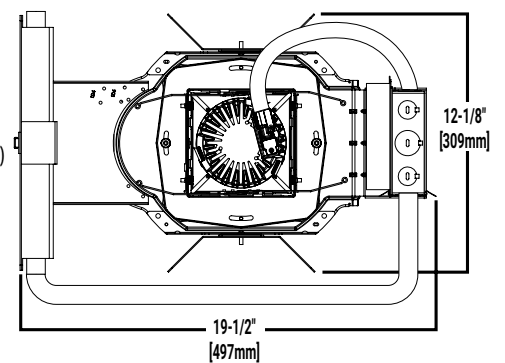
### EM OPTION



### WALL WASH

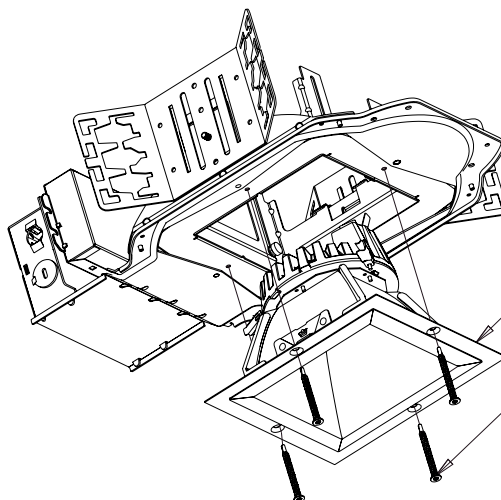


### EM OPTION



CATALOG #	DESCRIPTION	FLANGE DIAMETER or WIDTH [IN]	INSIDE DIAMETER or WIDTH [IN]	MAX HEIGHT				
				250-2000 LUMENS (90/97CRI)	2500-4000 LUMENS (90/97CRI)	4500-6000 LUMENS (90/97CRI)	1000-1500IC LUMENS (90/97CRI) 6500-7000 LUMENS (90/97CRI)	2 LEDs 4500-7500 LUMENS (90/97CRI)
F4LC-SQ	MEDIUM	5.68	4.48	5.6	5.6	5.8	6.3	8.3
F4LC-CSSQ	CAST SHALLOW	5.66	4.48	5.6	5.6	5.6	5.6	6.4
F4LC-SQW	WIDE	5.68	4.1	5.8	6	6.4	6.9	8.9
F4LC-SQLWW	LENS WALL WASH	5.68	4.5	5.6	5.6	5.7	6.2	8.2

### FLDSQ4C HOUSING ASSEMBLY (Shown with "HA" trim/reflector)



Antimicrobial powder coated security plate attached to the reflector flange with mechanical tabs and high strength adhesive.

(4) 2" tamper resistant T20 Torx center pin reject screws provided to secure the reflector to the housing. The flat screw head is matte white antimicrobial powder coated.

**NOTE:**  
These screws have drilling thread forming tips to facilitate the installation into the starter holes that are factory pre-drilled in the housing. Connection lines illustrate the path of the screws.

## Energy and Performance Data

### D010 DRIVER ENERGY DATA

Series	250 lumen		500 lumen		800 lumen		1000 lumen		1500 lumen		2000 lumen	
Input Voltage 120-277VAC	120V	277V	120V	277V	120V	277V	120V	277V	120V	277V	120V	277V
Input Current (A)	0.029	0.017	0.061	0.032	0.085	0.041	0.084	0.042	0.135	0.063	0.189	0.084
Input Power (W)	3.45	3.87	7.33	7.78	10.15	10.52	10.04	10.43	16.17	16.56	22.58	22.63
In-rush (A)	2.1	8.5	3.7	8.5	3.6	8.3	3.6	8.4	2.3	9.5	2.1	9.7
Inrush duration (µs)	250	131	190	136	220	135	226	136	230	125	243	132
THDi (%)	7.21	16.92	7.82	10.78	5.57	9.63	7.78	9.24	4.75	9.93	8.03	7.44
PF	≥ 0.98	≥ 0.9	≥ 0.99	≥ 0.93	≥ 0.99	≥ 0.95	≥ 0.99	≥ 0.95	≥ 0.99	≥ 0.94	≥ 0.99	≥ 0.96

Series	2500 lumen		3000 lumen		3500 lumen		4000 lumen		4500 lumen		5000 lumen	
Input Voltage 120-277VAC	120V	277V	120V	277V	120V	277V	120V	277V	120V	277V	120V	277V
Input Current (A)	0.276	0.121	0.276	0.041	0.333	0.152	0.404	0.181	0.421	0.192	0.491	0.216
Input Power (W)	32.98	32.57	32	10.52	39.83	39.84	48.38	47.94	50.22	50.17	58.69	58.01
In-rush (A)	2.5	11.8	3.6	8.3	3.1	14.3	3.1	14.5	5.6	22.6	5.6	22.6
Inrush duration (µs)	215	111	220	135	200	94	197	95	215	120	213	135
THDi (%)	9.86	6.57	5.57	9.63	4.25	10.05	5.02	7.97	6.12	8.35	8.51	7.92
PF	≥ 0.99	≥ 0.97	≥ 0.99	≥ 0.95	≥ 0.99	≥ 0.94	≥ 0.99	≥ 0.95	≥ 0.99	≥ 0.95	≥ 0.99	≥ 0.96

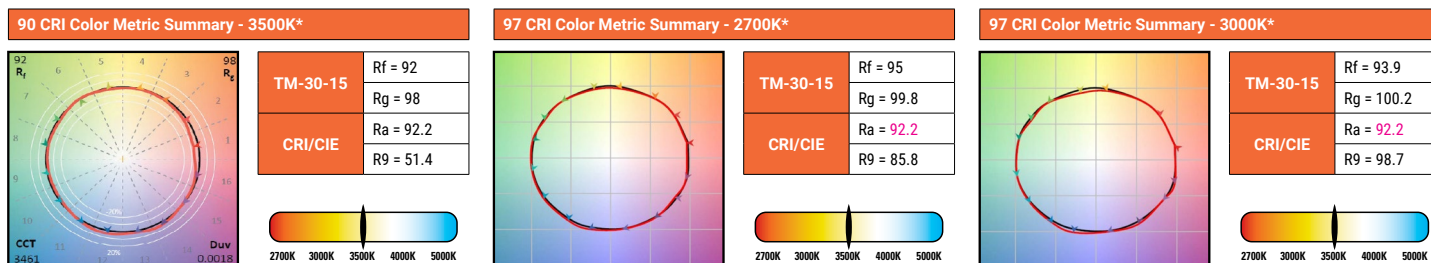
Series	5500 lumen		6000 lumen		6500 lumen		7000 lumen		7500 lumen	
Input Voltage 120-277VAC	120V	277V	120V	277V	120V	277V	120V	277V	120V	277V
Input Current (A)	0.526	0.231	0.542	0.256	0.572	0.266	0.632	0.292	0.668	0.306
Input Power (W)	62.97	61.97	64.88	65.7	68.35	69.02	75.56	75.85	79.89	80.09
In-rush (A)	5.1	23.1	6.2	27.5	6.3	28.4	6.4	29.1	6.4	28.7
Inrush duration (µs)	217	138	188	101	189	92	187	90	185	100
THDi (%)	9.42	7.16	4.33	11.86	4.38	11.33	4.84	10.32	4.46	9.85
PF	≥ 0.99	≥ 0.96	≥ 0.99	≥ 0.93	≥ 0.99	≥ 0.93	≥ 0.99	≥ 0.94	≥ 0.99	≥ 0.94

Minimum starting temperature -30°C (-22°F)\*  
(Nominal input 120-277VAC & 100% of rated output power)

Sound Rating: Class A standards

**Notes:**  
Emergency Battery packs are rated for a minimum starting temperature of 0°C.

### COLOR METRICS - TM-30-15 & CRI/CIE



\* Color values are based on haze reflector, other finishes and field results may vary.

## Product Specifications

### Lower Shielding Reflector

- Painted die cast aluminum or anodized aluminum lower reflector with medium beam or medium beam 45° cutoff with a lensed upper optical chamber providing superior lumen output with minimal source brightness.
- Anodized reflectors are offered in all finishes.
- Reflector is retained with two torsion springs holding the flange tight to the finished ceiling surface.
- High abuse reflector retained by (4) T20 Torx center pin reject, tamper resistant, counter-sunk screws.
- IP65 rated room side only.
- NSF/ANSI 2 certified Splash/NonFood Zone on the (SM) Sealed/Medical version only.

### Wall Wash Reflector

- Lensed Wall Wash** - Angle cut aluminum lower reflector in combination with spread lens provides even vertical illumination with minimal downlight.

### Trim Retention

- Sealed/Medical (SM)** Two torsion springs hold reflector flange tightly to the finished ceiling surface.
- High Abuse (HA)** Secured by (4) counter-sunk tamper-resistant screws, T20 Torx painted matte-white to match the security plate (see diagram, bottom of page 4)

### Plaster Frame/Collar

- Galvanized steel plaster frame with adjustable collar adjusts for up to 2" thick ceilings and rotates +/- 7.5°.

### Universal Mounting Bracket

- Accepts 1/2" Electric Metallic Tube (EMT), C-channel and bar hangers
- Adjusts 5" vertically from above and below the ceiling

### Junction box

- Four 1/2" and two 3/4" trade size pry outs positioned to allow straight conduit runs
- Lever connectors for simple push in wiring
- Listed for (4) #12 AWG (two in, two out) 90°C conductors and feed thru branch wiring for type IC and Plug in drivers for 120/277V only. For all other cases (8) #12 AWG (four in, four out) 90°C conductors and feed thru branch wiring for 120/277V only

### Thermal

- Aluminum heat sink conducts heat away from the LED module for improved performance and longer life

### LED System

- Contains a plurality of high brightness white LED's combined with a high reflectance upper reflector and convex transitional lens producing even distribution without pixilation
- Auto resetting, thermally protected, LED's are turned off when safe operating temperatures are exceeded
- Quick disconnect allows for tool-less replacement of LED engine from below ceiling
- 90 and 97 CRI
- 90 & 97CRI: L78 55,000 hours for 1000-2000 lumens, L90 55,000 for all other lumen output
- Color variation within 2-step MacAdam ellipses
- Available in 2400K, 2700K, 3000K, 3500K, 4000K and 5000K correlated color temperature (CCT)

### Vividtune and High CRI

- W2N: L70 55,000 hours
- D2W™ – dim-to-warm shifts CCT from 3000K to 1850K as fixture dims mimicking halogen sources.
- W2N - Tunable white CCT range 2700K to 6500K or 2000K to 5000K, 90 CRI. Standard

### Driver

- Standard 120-277V 0-10V dimming driver provides flicker free dimming from 100% to 1%
- Optional 120V leading edge/0-10V, <1% 0-10V, Fifth Light, or Lutron® Ecosystem
- Driver can be serviced from above or through the aperture
- Optional magnetically guided snap in driver for ease of maintenance.

### Emergency Option

- Provides 90 minutes of standby lighting, meeting most life safety codes for egress lighting
- Available with integral or remote charge indicator and test switch
- Available Self-Test with remote charge indicator and test switch
- Emergency transfer device (ETRD) senses the loss of power regardless of local control settings allowing emergency power to the fixture.
- UL 924 listed
  - Thermally protected
  - cULus Listed for wet locations with covered ceiling
  - Optional City of Chicago environmental air (CCEA) marking for plenum applications
  - FCC CFR Title 47 Part 15 Class B at 120VAC and Class A at 277VA
  - Insulated ceiling (IC) rated up to 1,500 lumens (90 and 97CRI). All others are non-IC rated (insulation must be kept 3" from top and sides of housing).
  - Can be used for State of California Title 24 high efficacy LED compliance under JA8, reference Modernized Appliance Efficiency Database System (MAEDBS) for 2016 JA8 High Efficacy Lighting
  - RoHS compliant
  - Photometric testing completed in accordance with IES LM-79
  - LED life testing completed in accordance with IES LM-80-08 and TM-21-11 standards
  - See table on page 6 for marked spacing requirements.

### Code Compliance

- Non-IC rated insulation must be kept 3" from top and sides of housing.
- FCC CFR Title 47 Part 15 Class B at 120VAC and Class A at 277VAC

### Warranty

- Five year warranty

## Marked Spacing

4-inch Marked spacing for 90 and 97 CRI			
4000	36	36	0.5
4000-7500 (Lutron)	36	36	8
4500-7500	36	36	8

4-inch Marked spacing for D2W			
3500-4500	36	36	8

4-inch Marked spacing for W2N			
3000	36	36	0.5
3500	36	36	8