

Project		Catalog #		Type	
Prepared by		Notes		Date	



# AtLite

## Marathon Series - Recessed Mount

### Architectural Edge Lit Exit Sign

#### Typical Applications

Office • Education • Healthcare • Hospitality • Retail

#### Product Certification



#### Product Features



#### Interactive Menu

- Dimensions and Mounting Details [page 2](#)
- Product Specifications [page 2](#)
- Energy Data [page 2](#)
- Product Warranty

#### Top Product Features

- Dual 120/277 VAC 60Hz input
- Brownout circuit
- Solid-state voltage charger and switching in self-powered version
- Test switch/power indicator light in self-powered version
- Long-life, energy-efficient LED lamps
- 8" Letter models NYC compliant
- Options to meet Buy American and other domestic preference requirements

#### Ordering Information

SAMPLE ORDER NUMBER: **TAC26GWPALR**

Domestic Preferences	Operation	Mounting	Number of Faces	Letter Size	Letter/Panel Color	Trim Finish	Arrow Direction
Domestic Preferences <sup>(1)</sup>	Operation	Mounting	Number of Faces	Letter Size <sup>(2)</sup>	Letter/Panel Color	Trim Finish <sup>(3)</sup>	Arrow Direction
[Blank]=Standard BAA=Buy American Act TAA=Trade Agreements Act	TA=AC-only TS=Self-powered	C=Ceiling W=Wall	1=Single 2=Double	6=6 8=8 (Red Only)	GC=Green on Clear (Single Face Only) GM=Green on Mirror Mylar GW=Green on White RC=Red on Clear (Single Face Only) RM=Red on Mirror Mylar RW=Red on White	BK=Polished Black BZ=Bronze PA=Polished Aluminum SA=Satin Aluminum WH=White	[Blank]=No Arrow AL=Arrow Left AR=Arrow Right DH=Double Headed Arrows LR=Double Face Arrows
<b>Notes</b> Housing ordered separately designated prefixes are built to be compliant with the Buy American Act of 1933 (BAA) or Trade Agreements Act of 1979 (TAA), respectively. Please refer to <a href="#">DOMESTIC PREFERENCES</a> website for more information. Components shipped separately may be separately analyzed under domestic preference requirements.				<b>Notes</b> (2) NYC Code Compliant with 8" letters only		<b>Notes</b> (3) Limited custom finishes available, contact factory for details.	

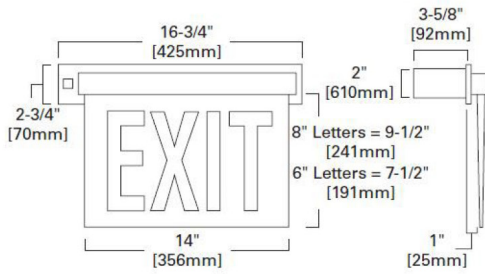
#### Housing

Housing <sup>(4)</sup>
HA=AC only HS1=Self-powered; 1 sided HS2=Self-powered; 2 sided

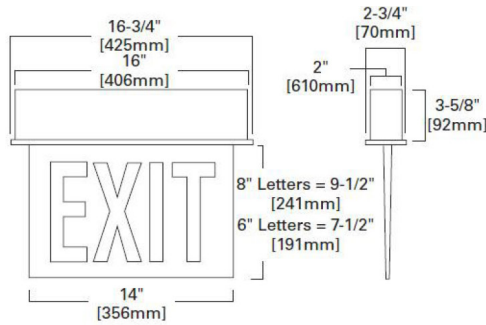
**Notes:** (4) Housing ordered separately

## Dimensional Details

RECESSED, WALL MOUNT



RECESSED, CEILING MOUNT



## Product Specifications

### General Features

- Dual 120/277 VAC 60Hz input
- Solid-state voltage charger and switching in self-powered version
- Brownout circuit
- Test switch/power indicator light in self-powered version
- Long-life, energy-efficient LED lamps
- 18-gauge steel recessed housing with conduit knockouts
- Recessed housing for ceiling or wall mounting
- Adjustable hanger bars
- Connectors facilitate quick installation and maintenance
- Injection molded, high-impact acrylic panel
- Long life nickel cadmium battery
- 5 year product warranty
- Options to meet Buy American and other domestic preference requirements

Compliances may not apply to all product configurations. Please consult the product spec sheet for compliance details.

**COMPLIANCES:** UL924 Listed; NFPA 101 Compliant, NYC Code Compliant

## Energy Data

Maximum power consumption under all charge conditions:

### LED Exits – Red Letters, AC Only

Input Power	Input Current:	Power Factor:
120V = 3.8W	120V = .03	120V = .93
277V = 3.9W	277V = .02	277V = .93

### LED Exits – Red Letters, Self-Powered

Input Power	Input Current:	Power Factor:
120V = 4.6W	120V = .04	120V = .90
277V = 4.8W	277V = .02	277V = .89