

## DESCRIPTION

The classic lines and sophisticated construction of Vision Site LED luminaire makes it an ideal complement to site design. Offering LED technology across the AVS and AVM, the Vision Site luminaire provides true family scaling in both physical form and lumen capability for architectural site lighting applications. UL/cUL listed for use in wet locations.

<b>Catalog #</b>		<b>Type</b>
<b>Project</b>		
<b>Comments</b>		<b>Date</b>
<b>Prepared by</b>		

## SPECIFICATION FEATURES

### Construction

**HOUSING:** Heavy-wall one-piece, die-cast aluminum housing has precise tolerance control and repeatability in manufacturing. Housing features a partition wall that isolates driver components for cooler operation. Integral aluminum heat sink provides superior thermal heat transfer in +40°C ambient environments. **DOOR:** One-piece, die-cast aluminum construction with tool-less release latch. Door swings down and is retained on two catch hinges. **GASKET:** Continuous gasket provided to seal housing to optic tray. **LENS:** Downlight lens is LED board integrated acrylic over-optics, each individually sealed for IP66 rating. **HARDWARE:** Tool-less release door latch is stainless steel/aluminum construction, painted to match housing and allows access to internal housing and electrical components.

### Optics

Choice of twelve patented, high-efficiency AccuLED Optics™ distributions. Optics are precisely designed to shape the light output, maximizing efficiency and application spacing. AccuLED Optics technology creates consistent distributions with the scalability to meet customized application requirements. Offered Standard in 4000K (+/- 275K) CCT and minimum 70 CRI. Optional 3000K CCT, 5000K CCT and 5700K

CCT. For the ultimate level of spill light control, an optional house-side shield accessory can be field or factory installed. The house-side shield is designed to seamlessly integrate with the SL2, SL3 or SL4 optics.

### Electrical

LED drivers mount to die-cast aluminum back housing for optimal heat sinking, operation efficacy, and prolonged life. Standard drivers feature electronic universal voltage (120-277V 50/60Hz), 347V 60Hz or 480V 60Hz operation. 480V is compatible for use with 480V Wye systems only. Greater than 0.9 power factor, less than 20% harmonic distortion, and is suitable for operation in -40°C to 40°C ambient environments. All fixtures are shipped standard with 10kV/10kA common – and differential – mode surge protection. LightBARs feature and IP66 enclosure rating and maintain greater than 95% lumen maintenance at 60,000 hours per IESNA TM-21. Occupancy sensor and dimming options available.

### Mounting

**ARM:** One-piece extruded aluminum arm available in standard 5" lengths (AVS) and 6" and 10" (AVM). Internal bolts guides allow easy positioning of fixture during installation to pole or wall surface. **STRUCTURAL MOUNT:** Die-cast aluminum cleat

factory mounted to luminaire and finished in luminaire color. Stainless steel structural rod measures 1/2" in diameter and is provided in luminaire finish color or optional natural finish. Product works in conjunction with dedicated accessory arms (order separately). Poles are provided pre-drilled when structural mount option drill pattern is specified. Additional mounting accessories available.

### Finish

Housing is finished in five-stage super premium TGIC polyester powder coat paint, 2.5 mil nominal thickness for superior protection against fade and wear. LightBAR cover plates are standard white and may be specified to match finish of luminaire housing. Standard colors include black, bronze, grey, white, dark platinum and graphite metallic. RAL and custom color matches available. Consult Outdoor Architectural Colors brochure for a complete selection. Options to meet Buy American and other domestic preference requirements.

### Warranty

Five-year warranty.



## AVS/AVM VISION SITE LED

1 - 6 LightBARs  
Solid State LED

AREA/SITE LUMINAIRE



### CERTIFICATION DATA

UL/cUL Listed  
ISO 9001  
IP66 LightBARs  
LM79 / LM80 Compliant  
1.5 G Vibration Tested  
DesignLights Consortium™ Qualified\*

### ENERGY DATA

**Electronic LED Driver**  
>0.9 Power Factor  
<20% Total Harmonic Distortion  
120-277V/50 & 60Hz, 347V/60Hz,  
480V/60Hz  
-30°C Minimum Temperature  
40°C Ambient Temperature Rating

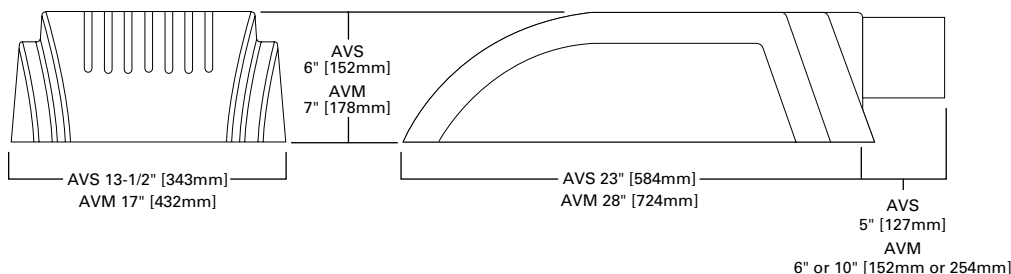
### EPA

**Effective Projected Area:** (Sq. Ft.)  
**AVS Single:** 1.18 w/Arm  
**AVS Single Structural:** 1.27 w/Arm  
**AVM Single:** 1.89 w/Arm  
**AVM Single Structural:** 2.09 w/Arm

### SHIPPING DATA

**Approximate Net Weight:**  
**AVS:** 35 lbs. (15.91 kgs.)  
**AVM:** 51 lbs. (23.18 kgs.)

## DIMENSIONS



**POWER AND LUMENS BY BAR COUNT (21 LED LIGHTBAR)**

Number of LightBARs		E01	E02	E03	E04	E05	E06
<b>Drive Current</b>		350mA Drive Current					
<b>Power (Watts)</b>		25W	52W	75W	97W	127W	150W
<b>Current @ 120V (A)</b>		0.22	0.44	0.63	0.82	1.07	1.26
<b>Current @ 277V (A)</b>		0.10	0.20	0.28	0.36	0.48	0.56
<b>Power (Watts)</b>		31W	58W	82W	99W	132W	159W
<b>Current @ 347V (A)</b>		0.11	0.19	0.28	0.29	0.39	0.48
<b>Current @480V (A)</b>		0.09	0.15	0.20	0.21	0.30	0.36
<b>T2</b>	Lumens	3,064	6,128	9,192	12,255	15,319	18,383
	BUG Rating	B1-U0-G1	B2-U0-G2	B2-U0-G2	B3-U0-G3	B3-U0-G3	B3-U0-G3
<b>T3</b>	Lumens	3,084	6,168	9,252	12,336	15,420	18,504
	BUG Rating	B1-U0-G1	B2-U0-G2	B3-U0-G3	B3-U0-G3	B3-U0-G3	B3-U0-G3
<b>T4</b>	Lumens	3,022	6,044	9,066	12,088	15,110	18,132
	BUG Rating	B1-U0-G1	B1-U0-G2	B2-U0-G2	B2-U0-G2	B2-U0-G3	B3-U0-G3
<b>5MQ</b>	Lumens	3,224	6,448	9,672	12,896	16,120	19,344
	BUG Rating	B2-U0-G1	B3-U0-G1	B3-U0-G2	B4-U0-G2	B4-U0-G2	B4-U0-G2
<b>5WQ</b>	Lumens	3,184	6,368	9,551	12,735	15,919	19,103
	BUG Rating	B2-U0-G1	B3-U0-G1	B4-U0-G2	B4-U0-G2	B4-U0-G2	B5-U0-G3
<b>5XQ</b>	Lumens	3,181	6,361	9,542	12,722	15,903	19,083
	BUG Rating	B2-U0-G2	B3-U0-G2	B3-U0-G3	B4-U0-G3	B4-U0-G4	B4-U0-G4
<b>SL2</b>	Lumens	3,055	6,110	9,165	12,220	15,275	18,331
	BUG Rating	B1-U0-G1	B1-U0-G2	B2-U0-G2	B2-U0-G2	B3-U0-G3	B3-U0-G3
<b>SL3</b>	Lumens	3,036	6,072	9,108	12,145	15,181	18,217
	BUG Rating	B1-U0-G1	B1-U0-G2	B2-U0-G2	B2-U0-G2	B2-U0-G3	B3-U0-G3
<b>SL4</b>	Lumens	2,954	5,908	8,862	11,816	14,771	17,725
	BUG Rating	B1-U0-G1	B1-U0-G2	B2-U0-G2	B2-U0-G2	B2-U0-G3	B3-U0-G3
<b>RW</b>	Lumens	3,124	6,248	9,372	12,496	15,620	18,744
	BUG Rating	B2-U0-G2	B3-U0-G3	B3-U0-G3	B4-U0-G4	B4-U0-G4	B4-U0-G4
<b>SLL/SLR</b>	Lumens	2,782	5,565	8,347	11,130	13,912	16,695
	BUG Rating	B1-U0-G1	B1-U0-G2	B1-U0-G3	B2-U0-G3	B2-U0-G3	B2-U0-G4

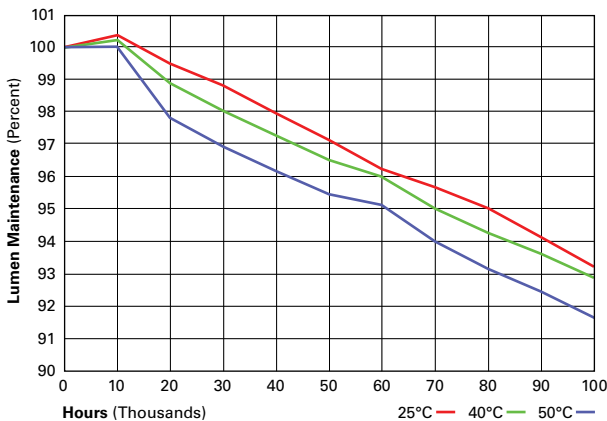
**LUMEN MAINTENANCE**

Ambient Temperature	25,000 Hours*	50,000 Hours*	60,000 Hours*	100,000 Hours	Theoretical L70 (Hours)
25°C	> 99%	> 97%	> 96%	> 93%	> 450,000
40°C	> 98%	> 97%	> 96%	> 92%	> 425,000
50°C	> 97%	> 96%	> 95%	> 91%	> 400,000

\* Per IESNA TM-21 data.

**LUMEN MULTIPLIER**

Ambient Temperature	Lumen Multiplier
10°C	1.02
15°C	1.01
25°C	1.00
40°C	0.99



Cooper Lighting Solutions  
 1121 Highway 74 South  
 Peachtree City, GA 30269  
 P: 770-486-4800  
 www.cooperlighting.com

Specifications and dimensions subject to change without notice.

**POWER AND LUMENS BY BAR COUNT (7 LED LIGHTBAR)**

Number of LightBARs		F01	F02	F03	F04	F05	F06
<b>Drive Current</b>		1A Drive Current					
<b>Power (Watts)</b>		26W	55W	78W	102W	133W	157W
<b>Current @ 120V (A)</b>		0.22	0.46	0.66	0.86	1.12	1.31
<b>Current @ 277V (A)</b>		0.10	0.21	0.29	0.37	0.50	0.58
<b>Power (Watts)</b>		32W	60W	85W	105W	137W	164W
<b>Current @ 347V (A)</b>		0.11	0.19	0.28	0.30	0.41	0.49
<b>Current @480V (A)</b>		0.09	0.15	0.21	0.22	0.31	0.37
<b>T2</b>	Lumens	2,529	5,059	7,588	10,117	12,646	15,176
	BUG Rating	B1-U0-G1	B2-U0-G2	B2-U0-G2	B3-U0-G3	B3-U0-G3	B3-U0-G3
<b>T3</b>	Lumens	2,546	5,092	7,638	10,183	12,729	15,275
	BUG Rating	B1-U0-G1	B2-U0-G2	B2-U0-G2	B3-U0-G3	B3-U0-G3	B3-U0-G3
<b>T4</b>	Lumens	2,495	4,990	7,484	9,979	12,474	14,969
	BUG Rating	B1-U0-G1	B1-U0-G2	B1-U0-G2	B2-U0-G2	B2-U0-G2	B2-U0-G3
<b>5MQ</b>	Lumens	2,662	5,323	7,985	10,646	13,308	15,969
	BUG Rating	B2-U0-G1	B3-U0-G1	B3-U0-G1	B3-U0-G2	B4-U0-G2	B4-U0-G2
<b>5WQ</b>	Lumens	2,628	5,257	7,885	10,513	13,142	15,770
	BUG Rating	B2-U0-G1	B3-U0-G1	B3-U0-G2	B4-U0-G2	B4-U0-G2	B4-U0-G2
<b>5XQ</b>	Lumens	2,626	5,251	7,877	10,502	13,128	15,754
	BUG Rating	B2-U0-G1	B3-U0-G2	B3-U0-G3	B4-U0-G3	B4-U0-G3	B4-U0-G4
<b>SL2</b>	Lumens	2,522	5,044	7,566	10,088	12,610	15,132
	BUG Rating	B1-U0-G1	B1-U0-G1	B2-U0-G2	B2-U0-G2	B2-U0-G2	B3-U0-G3
<b>SL3</b>	Lumens	2,506	5,013	7,519	10,026	12,532	15,039
	BUG Rating	B1-U0-G1	B1-U0-G1	B1-U0-G2	B2-U0-G2	B2-U0-G2	B2-U0-G3
<b>SL4</b>	Lumens	2,439	4,877	7,316	9,755	12,193	14,632
	BUG Rating	B1-U0-G1	B1-U0-G2	B1-U0-G2	B2-U0-G2	B2-U0-G2	B2-U0-G3
<b>RW</b>	Lumens	2,579	5,158	7,737	10,316	12,894	15,473
	BUG Rating	B2-U0-G2	B3-U0-G3	B3-U0-G3	B3-U0-G3	B4-U0-G4	B4-U0-G4
<b>SLL/SLR</b>	Lumens	2,297	4,594	6,891	9,188	11,485	13,782
	BUG Rating	B1-U0-G1	B1-U0-G2	B1-U0-G2	B1-U0-G3	B2-U0-G3	B2-U0-G3

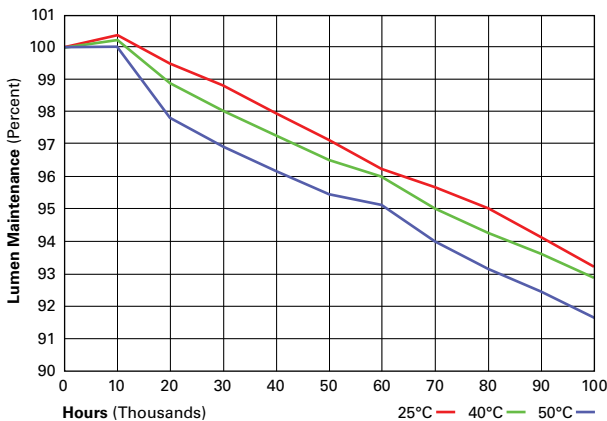
**LUMEN MAINTENANCE**

Ambient Temperature	25,000 Hours*	50,000 Hours*	60,000 Hours*	100,000 Hours	Theoretical L70 (Hours)
25°C	> 99%	> 97%	> 96%	> 93%	> 450,000
40°C	> 98%	> 97%	> 96%	> 92%	> 425,000
50°C	> 97%	> 96%	> 95%	> 91%	> 400,000

\* Per IESNA TM-21 data.

**LUMEN MULTIPLIER**

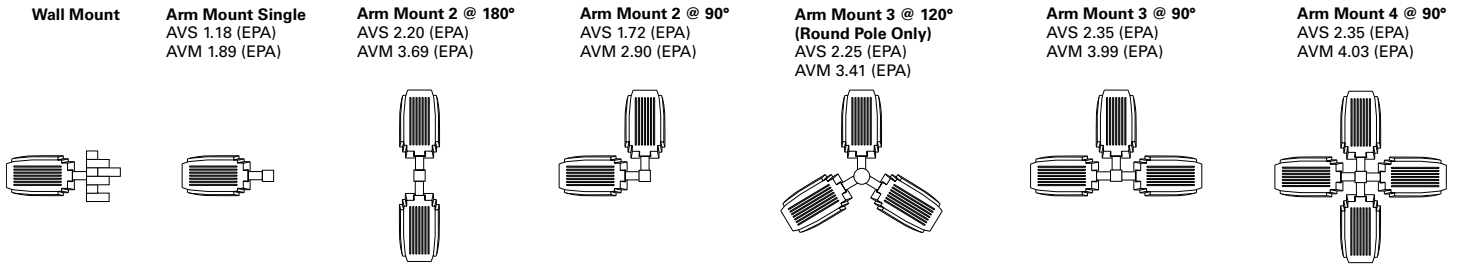
Ambient Temperature	Lumen Multiplier
10°C	1.02
15°C	1.01
25°C	1.00
40°C	0.99



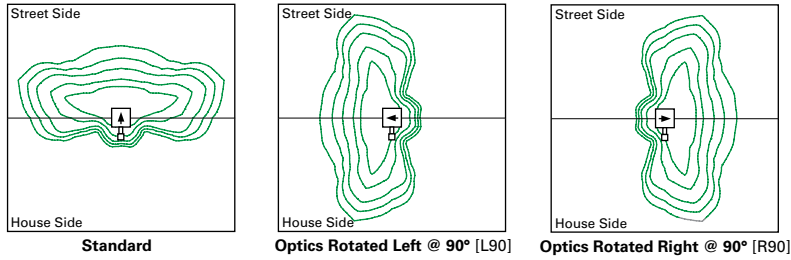
Cooper Lighting Solutions  
 1121 Highway 74 South  
 Peachtree City, GA 30269  
 P: 770-486-4800  
 www.cooperlighting.com

Specifications and dimensions subject to change without notice.

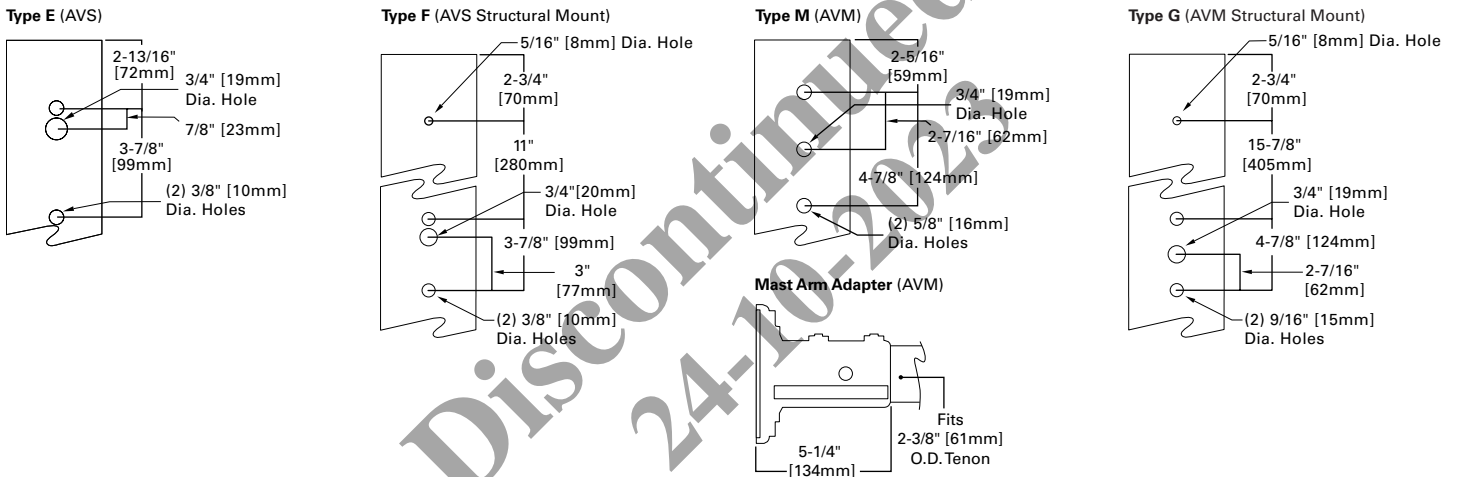
**MOUNTING VARIATIONS AND EPAS**



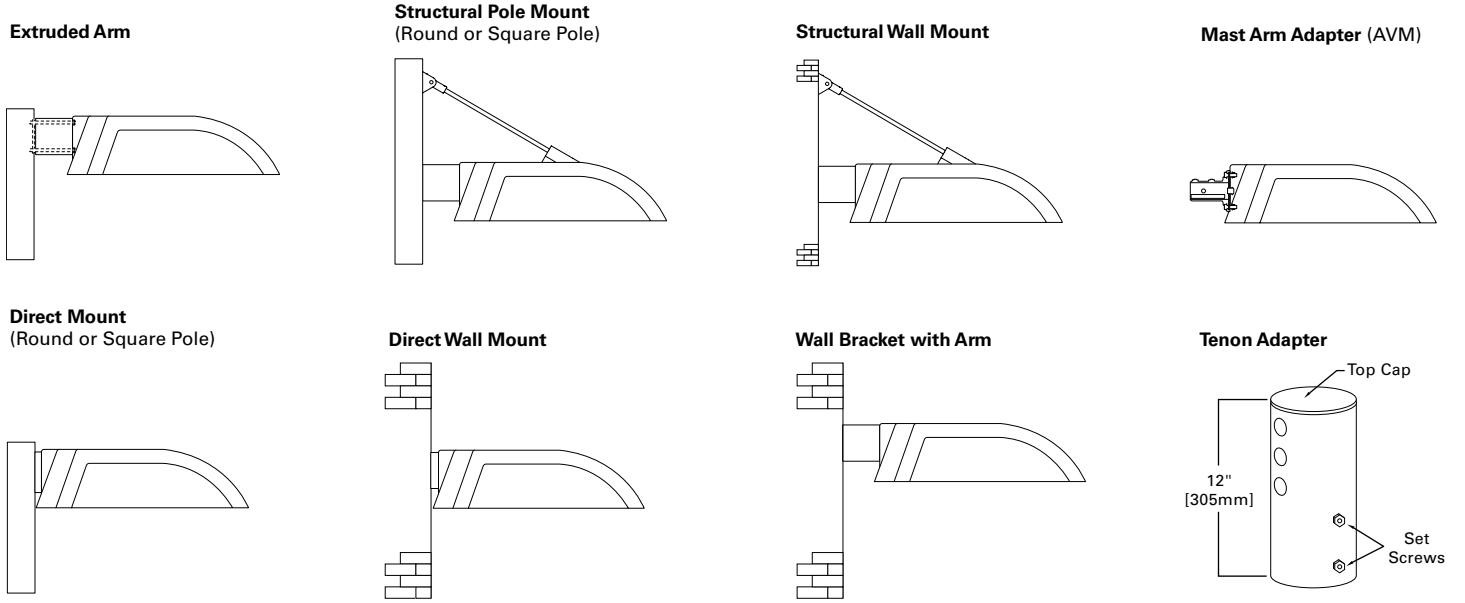
**OPTIC ORIENTATION**



**POLE DRILLING PATTERNS AND MOUNTING OPTIONS**



**MOUNTING OPTIONS AND ACCESSORIES**



ORDERING INFORMATION

Sample Number: AVS-E04-LED-E-U-T3-AP-CPS

Product Family <sup>1,2,3</sup>	Number of LightBARs <sup>4,5</sup>	Lamp Type	Ballast Type	Voltage	Distribution	Color <sup>8</sup>
<b>AVS</b> =Vision Site Small <b>AVM</b> =Vision Site Medium <b>BAA-AVS</b> =Vision Site Small, Buy American Act Compliant <sup>25</sup> <b>TAA-AVS</b> =Vision Site Small, Trade Agreements Act Compliant <sup>25</sup> <b>BAA-AVM</b> =Vision Site Medium Small, Buy American Act Compliant <sup>25</sup> <b>TAA-AVM</b> =Vision Site Medium, Trade Agreements Act Compliant <sup>25</sup>	<b>E01</b> =(1) 21 LED LightBAR <b>E02</b> =(2) 21 LED LightBARs <b>E03</b> =(3) 21 LED LightBARs <b>E04</b> =(4) 21 LED LightBARs <b>E05</b> =(5) 21 LED LightBARs <sup>6</sup> <b>E06</b> =(6) 21 LED LightBARs <sup>6</sup> <b>F01</b> =(1) 7 LED LightBAR <b>F02</b> =(2) 7 LED LightBARs <b>F03</b> =(3) 7 LED LightBARs <b>F04</b> =(4) 7 LED LightBARs <b>F05</b> =(5) 7 LED LightBARs <sup>6</sup> <b>F06</b> =(6) 7 LED LightBARs <sup>6</sup>	<b>LED</b> =Solid State Light Emitting Diode	<b>E</b> =Electronic	<b>U</b> =Universal (120-277V) <b>8</b> =480V <sup>7</sup> <b>9</b> =347V	<b>T2</b> =Type II <b>T3</b> =Type III <b>T4</b> =Type IV <b>5MQ</b> =Type V Square Medium <b>5WQ</b> =Type V Square Wide <b>5XQ</b> =Type V Square Extra Wide <b>RW</b> =Rectangular Wide <b>SL2</b> =Type II with Spill Control <b>SL3</b> =Type III with Spill Control <b>SL4</b> =Type IV with Spill Control <b>SLL</b> =90° Spill Light Eliminator Left <b>SLR</b> =90° Spill Light Eliminator Right	<b>AP</b> =Grey <b>BZ</b> =Bronze <b>BK</b> =Black <b>DP</b> =Dark Platinum <b>GM</b> =Graphite Metallic <b>WH</b> =White <b>RALxx</b> =Custom Color
<b>Structural Options</b> <sup>3,9</sup>			<b>Options</b> (Add as Suffix)			
<b>Pole Mount</b> <b>CPS</b> =Strut Rod/Square Pole Painted to match fixture. Does not include arm) <sup>10</sup> <b>CSS</b> =Strut Rod/Square Pole Stainless Steel (Cleviss painted to match fixture. Does not include arm) <sup>10</sup> <b>CPR</b> =Strut Rod/Round Pole (Painted to match fixture. Does not include arm) <sup>11</sup> <b>CSR</b> =Strut Rod/Round Pole Stainless Steel (Cleviss painted to match fixture. Does not include arm) <sup>11</sup> <b>Wall Mount</b> <b>CPW</b> =Strut Rod/Wall Mount (Painted to match fixture. Does not include arm) <sup>12</sup> <b>CSW</b> =Strut Rod/Wall Mount Stainless Steel (Cleviss painted to match fixture. Does not include arm) <sup>12</sup>			<b>2L</b> =Two Circuits <sup>13</sup> <b>7030</b> =70 CRI / 3000K CCT <b>7050</b> =70 CRI / 5000K CCT <sup>14</sup> <b>7060</b> =70 CRI / 5700K CCT <b>8030</b> =80 CRI / 3000K CCT <b>L90</b> =Optics Rotated Left 90° <b>R90</b> =Optics Rotated Right 90° <b>3</b> =Three-Position Terminal Block <b>4</b> =NEMA Photocontrol Receptacle <b>U</b> =UL Listed/CSA Certified <b>ICB</b> =Integral Cold Weather Battery Pack (Specify 120 or 277V) <sup>15</sup> <b>DIM</b> =0-10V Dimming Driver <b>MS-LXX</b> =Motion Sensor for ON/OFF Operation <sup>16</sup> <b>MS/X-LXX</b> =Motion Sensor for Bi-Level Switching <sup>17</sup> <b>DIMRF-LW</b> =LumaWatt Wireless Sensor, Wide Lens for 8' - 16' Mounting Height <sup>18</sup> <b>DIMRF-LN</b> =LumaWatt Wireless Sensor, Narrow Lens for 16' - 40' Mounting Height <sup>18</sup> <b>HSS</b> =Field Installed House Side Shield <sup>18</sup>			
<b>Accessories</b> (Order Separately) <sup>20,26</sup>						
<b>OA/RA1016</b> =NEMA Photocontrol - Multi-Tap <b>OA/RA1027</b> =NEMA Photocontrol - 480V <b>OA/RA1201</b> =NEMA Photocontrol - 347V <b>OA1223</b> =10kV Circuit Module Replacement <b>LS/HSS</b> =Factory Installed House Side Shield <sup>21</sup> <b>AVS</b> <b>SA1071-XX</b> =5" Arm for Square Pole <b>SA1073-XX</b> =Direct Mount for Square Pole <b>SA1074-XX</b> =5" Arm for Round Pole <b>SA1076-XX</b> =Direct Mount for Round Pole <b>SA1077-XX</b> =Wall Bracket with 5" Arm <sup>22</sup> <b>SA1200-XX</b> =Direct Wall Mount Kit <sup>22</sup> <b>SA1101-XX</b> =Single Tenon Adapter for 2-3/8" O.D. Tenon <b>SA1102-XX</b> =2@180° Tenon Adapter for 2-3/8" O.D. Tenon <b>SA1103-XX</b> =3@120° Tenon Adapter for 2-3/8" O.D. Tenon <b>SA1104-XX</b> =4@90° Tenon Adapter for 2-3/8" O.D. Tenon <b>SA1105-XX</b> =2@90° Tenon Adapter for 2-3/8" O.D. Tenon <b>SA1106-XX</b> =3@90° Tenon Adapter for 2-3/8" O.D. Tenon <b>SA1107-XX</b> =2@120° Tenon Adapter for 2-3/8" O.D. Tenon		<b>SA1108-XX</b> =Single Tenon Adapter for 3-1/2" O.D. Tenon <b>SA1109-XX</b> =2@180° Tenon Adapter for 3-1/2" O.D. Tenon <b>SA1110-XX</b> =3@120° Tenon Adapter for 3-1/2" O.D. Tenon <b>SA1111-XX</b> =4@90° Tenon Adapter for 3-1/2" O.D. Tenon <b>SA1112-XX</b> =2@90° Tenon Adapter for 3-1/2" O.D. Tenon <b>SA1113-XX</b> =3@90° Tenon Adapter for 3-1/2" O.D. Tenon <b>SA1114-XX</b> =2@120° Tenon Adapter for 3-1/2" O.D. Tenon <b>AVM</b> <b>SA1050-XX</b> =6" Arm for Square Pole <b>SA1051-XX</b> =10" Arm for Square Pole <sup>23</sup> <b>SA1052-XX</b> =6" Arm for Round Pole <b>SA1053-XX</b> =10" Arm for Round Pole <sup>23</sup> <b>SA1054-XX</b> =Wall Mount Kit with 6" Arm <b>SA1056-XX</b> =Direct Mount for Square Pole <b>SA1057-XX</b> =Direct Mount for Round Pole <b>SA1058-XX</b> =Wall Bracket with 6" Arm <sup>22</sup> <b>SA1201-XX</b> =Direct Wall Mount Kit <sup>22</sup>		<b>SA1231-XX</b> =Structural Mount Wall Mount Arm <sup>24</sup> <b>SA1017-XX</b> =Single Tenon Adapter for 2-3/8" O.D. Tenon <b>SA1018-XX</b> =2@180° Tenon Adapter for 2-3/8" O.D. Tenon <b>SA1019-XX</b> =3@120° Tenon Adapter for 2-3/8" O.D. Tenon <b>SA1045-XX</b> =4@90° Tenon Adapter for 2-3/8" O.D. Tenon <b>SA1048-XX</b> =2@90° Tenon Adapter for 2-3/8" O.D. Tenon <b>SA1115-XX</b> =3@90° Tenon Adapter for 2-3/8" O.D. Tenon <b>SA1116-XX</b> =2@120° Tenon Adapter for 2-3/8" O.D. Tenon <b>SA1010-XX</b> =Single Tenon Adapter for 3-1/2" O.D. Tenon <b>SA1011-XX</b> =2@180° Tenon Adapter for 3-1/2" O.D. Tenon <b>SA1012-XX</b> =3@120° Tenon Adapter for 3-1/2" O.D. Tenon <b>SA1013-XX</b> =4@90° Tenon Adapter for 3-1/2" O.D. Tenon <b>SA1014-XX</b> =2@90° Tenon Adapter for 3-1/2" O.D. Tenon <b>SA1015-XX</b> =2@120° Tenon Adapter for 3-1/2" O.D. Tenon <b>SA1016-XX</b> =3@90° Tenon Adapter for 3-1/2" O.D. Tenon		

- NOTES:**
- Customer is responsible for engineering analysis to confirm pole and fixture compatibility for all applications. Refer to our white paper WP513001EN for additional support information.
  - DesignLights Consortium™ Qualified. Refer to www.designlights.org Qualified Products List under Family Models for details.
  - Arm not included. Order separately.
  - Standard 4000K CCT and greater than 70 CRI.
  - 21 LED LightBAR powered at 350mA, 7 LED LightBAR powered at 1A.
  - Available on AVM only.
  - Only for use with 480V Wye systems. Per NEC, not for use with ungrounded systems, impedance grounded systems or corner grounded systems (commonly known as Three Phase Three Wire Delta, Three Phase High Leg Delta and Three Phase Corner Grounded Delta systems).
  - Custom and RAL color matching available upon request. Consult your customer service representative for more information.
  - Add as suffix in the order shown.
  - Compatible with 5" SA1071 (AVS) or 10" SA1051 (AVM) arm only.
  - Compatible with 5" SA1074 (AVS) or 10" SA1053 (AVM) arm only.
  - Wall mount structural options do not include arm assembly (See accessories). Compatible with 5" SA1071 (AVS) or SA1231 (AVM) arm only.
  - Low-level output varies by bar count. Consult factory. Requires two or more light bars.
  - Extended lead times apply. See website for IES files.
  - Available with E01-E02 and F01-F02 configurations only (AVS) or E01-E04 and F01-F04 configurations only (AVM). Specify 120V or 277V. LED cold weather integral battery pack is rated for minimum operating temperature -4°F (-20°C). Operates one light bar for 90-minutes. Not available in all configurations, consult factory. Rated for use in 25°C ambient.
  - Sensor mounted to the luminaire. Available in E01-E04 and F01-F04 configurations (AVS) or E01-E06 and F01-F06 configurations (AVM). Replace XX with mounting height in feet for proper lens selection (e.g., MS-L25). Consult factory for more information.
  - Sensor mounted to the luminaire. Available in E02-E04 and F02-F04 configurations (AVS) or E01-E06 and F01-F06 configurations (AVM). Replace X with number of light bars operating at low output mode and replace XX with mounting height in feet for proper lens selection (e.g., MS/3-L25). Maximum four light bars in low output mode. Consult factory for more information.
  - LumaWatt wireless sensors are factory installed only requiring network components RF-EM1, RF-GW1 and RF-ROUT1 in appropriate quantities. See www.cooperlighting.com/lighting for LumaWatt application information.
  - Only for use with SL2, SL3 and SL4 distributions. Not available with L90 or R90 options.
  - Replace XX with color designation.
  - One required for each light bars. Not available with L90 or R90 options.
  - For use in downlighting applications only.
  - Use when mounting fixture heads at 90° increments.
  - Includes arm only. Must specify CPW or CSW in fixture ordering logic. Downlighting applications only.
  - Only product configurations with these designated prefixes are built to be compliant with the Buy American Act of 1933 (BAA) or Trade Agreements Act of 1979 (TAA), respectively. Please refer to [DOMESTIC PREFERENCES](#) website for more information. Components shipped separately may be separately analyzed under domestic preference requirements.
  - Accessories sold separately will be separately analyzed under domestic preference requirements. Consult factory for further information.



Cooper Lighting Solutions  
 1121 Highway 74 South  
 Peachtree City, GA 30269  
 P: 770-486-4800  
 www.cooperlighting.com

Specifications and dimensions subject to change without notice.