

Project		Catalog #		Type	
Prepared by		Notes		Date	



HALO

SMD4 Series

4" Round and Square Surface Mount Downlight
SMD4R & SMD4S

Typical Applications
Residential

Interactive Menu

- Order Information [page 2](#)
- Product Specifications [page 4](#)
- Photometric Data [page 5](#)
- Product Warranty

Product Certification



Refer to ENERGY STAR® Certified Products List.
Can be used to comply with California Title 24 High Efficacy requirements.
Certified to California Appliance Efficiency Database under JAB.

Product Features

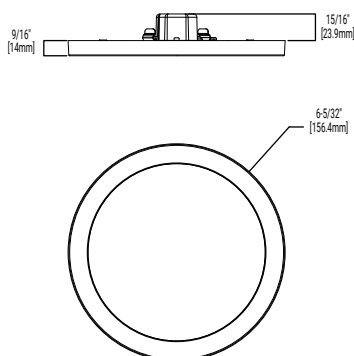


Top Product Features

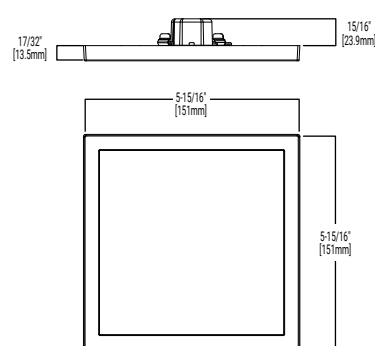
- Ultra-low profile surface luminaire with wide distribution
- Ceiling or wall mounting in compatible junction boxes
- Retrofit 4" recessed downlights with screwbase adapter (SOLD SEPERATELY)
- 2700K, 3000K, 3500K, 4000K or 5000K field selectable CCT; 90 CRI
- Dimmable with 120V dimmer

Dimensional and Mounting Details

SMD4RXXVWH



SMD4SXXVWH



Order Information

SAMPLE NUMBER: **SMD4R69SWH** = 4" Round Surface Mount Downlight, 600 lumen, 90CRI, Selectable CCT, White

Junction Box Installation: Order junction box separately, as supplied by others, to complete installation.

Recessed Installation: Order HALO recessed housing and SMD4ACCKIT separately to complete installation.

Models	Lumens	CRI / CCT	Finish	California SKU
SMD4R = 4" Round Surface Mount Downlight, 120V SMD4S = 4" Square Surface Mount Downlight, 120V	6 = 600 lumen series	9S = 90CRI, 2700K - 5000K Field Selectable CCT	WH = Mate White	Blank = non-California SKU -CA = California SKU
Notes	Notes	Notes	Notes	Notes

Accessories
<p>Designer Trims SMD4RTRMSN = 4" Round SMD Satin Nickel SMD4RTRMTBZ = 4" Round SMD Tuscan Bronze SMD4RTRMWH = 4" Round SMD White (paintable) SMD4STRMSN = 4" Square SMD Satin Nickel SMD4STRMTBZ = 4" Square SMD Tuscan Bronze SMD4STRMWH = 4" Square SMD White (paintable)</p> <p>T24HWKIT = Title 24 Cable harness kit used to convert incandescent and low voltage housings to LED</p> <p>SMD4ACCKIT = SMD4 accessory kit includes friction clips and a Edison screwbase adapter for recessed housing installation.</p>
Notes

Accessories

Designer Trims



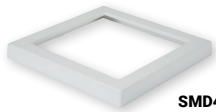
SMD4RTRMWH
round, white (paintable)



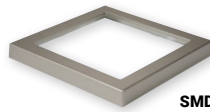
SMD4RTRMSN
round, satin nickel



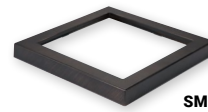
SMD4RTRMTBZ
round, tuscan bronze



SMD4STRMWH
square, white (paintable)



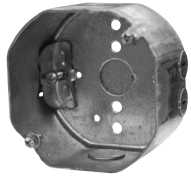
SMD4STRMSN
square, satin nickel



SMD4STRMTBZ
square, tuscan bronze

JUNCTION BOX COMPATIBILITY

***Note:** SMD 120-277V UNV configuration is only compatible with junction boxes that provide a minimum depth of 2-1/8". Junction boxes meeting these requirements listed below.



TP316*
for non-metallic cable
4" x 4" x 2-1/8"
(102mm x 102mm x 54mm)



TP317*
for metal clad cable
4" x 4" x 2-1/8"
(102mm x 102mm x 54mm)



4" octagon light fixture/fan steel box*
4" x 4" x 2-1/8"
(102mm x 102mm x 54mm)



4" octagon steel box
4" x 4" x 1-1/2"
(102mm x 102mm x 38mm)



4" square deep steel box*
4" x 4" x 2-1/8"
(102mm x 102mm x 54mm)



4" square standard steel box
4" x 4" x 1-1/2"
(102mm x 102mm x 38mm)



4" round new work non-metallic light fixture/fan box*
4" diameter x 2-3/16"
(102mm x 56mm)



3-1/2" round new work non-metallic ceiling box*
3-1/2" diameter x 2-3/4"
(89mm x 70mm)



3-1/2" round old work* non-metallic box
4-1/4" O.D. flange, 3-1/2" I.D. x 2-5/8"
(108mm O.D., 89mm I.D. x 67mm)



4" round surface mount box
4" diameter x 1-1/2"
(102mm x 38mm)
Requires SLD6RAD adapter



4" round new work non-metallic box with hanger bar assembly
4" diameter x 2-3/16" (102mm x 56mm)

*This is a representative list of compatible junction boxes only. Information contained in this literature about other manufacturers' products is from published information made available by the manufacturer and is deemed to be reliable, but has not been verified. Cooper Lighting Solutions makes no specific recommendation on product selection and there are no warranties of performance or compatibility implied. Installer must determine that site conditions are suitable to allow proper installation of the mounting bracket in the box.

Product Specifications

Housing

- Non-electrically conductive polycarbonate frame.
- High impact diffuse polystyrene lens provides shielding to the light guide with no pixilation
- Stamped aluminum housing provides thermal cooling achieving L70 at 50,000 hours in IC and non-IC applications

Gaskets

- Closed cell gasket achieves restrictive airflow and wet location requirements without additional caulking

Optics

- Precision acrylic light guide organizes source flux into wide distribution with 1.2 – 1.4 spacing criteria useful for general area illumination

LED

- Mid power led array provide a uniform source with high efficiency and long life
- Available in 90 CRI minimum, R9 greater than 50 and color accuracy within 3 SDCM provide color accuracy and uniformity

Driver

- Integral 120V 50/60Hz constant current driver provides noise free operation
- Continuous, flicker-free dimming from 100% to 5% with select leading or trailing edge 120V phase cut dimmers
- Dimming to 5% is best assured using dimmers with low end trim adjustment. Consult dimmer manufacturer for compatibility and conditions of use. (Note some dimmers require a neutral in the wallbox.)
- Inline electrical quick connect and E26 adapter (provided) provides mains connections.

Mounting/Retention

- Adjustable spider plate allows for quick installation into both junction boxes and recessed housings
- Friction blades included

Electrical Junction Box Mounting

- The SMD may be used in compatible electrical junction boxes in direct contact with insulation including spray foam insulation
- Suitable for installation in many 3-1/2" and 4" square, octagon, and round electrical junction boxes
- Installer must ensure compatibility of fit, wiring and proper mounting in the electrical junction box. This includes all applicable national and local electrical and building coded

Recessed Housing Mounting

Note: Use the SMDACCKIT which includes friction blades and Edison base adapter. (SOLD SEPERATELY)

- May be installed in IC recessed housings in direct contact with insulation
- Note:** Not for use in recessed housing in direct contact with spray foam insulation. Refer to NEMA LSD 57-2013

Designer Skins (Sold Separately)

- SMD skins are accessory rings in both round and square. These skins attach to the SMD for a permanent finish. Refer to the SMD accessories specification sheet for details.
 - Matte White (Paintable)
 - Satin Nickel
 - Tuscan Bronze

Compliance

- cULus listed / certified for use with Halo housings, classified for use with other's housings , when used with SMDACCKIT (Sold Separately), see instruction sheet for conditions of acceptability.
- Wet and Damp Location listed, airtight per ASTM-E283
- Suitable for use in closets, compliant with NFPA® 70, NEC® Section 410.16 (A)(3) and 410.16 (C)(5)
- EMI/RFI emissions per FCC 47CFR Part 15B
- Contains no mercury or lead and RoHS compliant.
- Photometric testing in accordance with IES LM-79-08
- Lumen maintenance projections in accordance with IES LM-80-08 and TM-21-11
- Can be used for State of California Title 24 high efficacy luminaire compliance, reference the California Energy Commission Title 20 Appliance Efficiency Database for current listings
- Can be used for International Energy Conservation Coe (IECC) and Washington State Energy Code high efficiency luminaire compliance

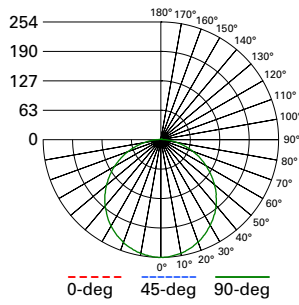
Warranty

- Five year limited warranty, consult website for details. www.cooperlighting.com/legal

Energy Data

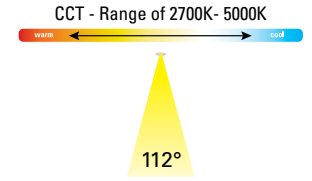
	Round	Square
Lumens (5000K models)	738	787
Input Power	9 W	9 W
Input Current	0.077 A	0.079 A
Efficiency	89 lm/W	84 lm/W
Input Voltage	120V	
Frequency	60 Hz	
CRI	90 CRI	
Power Factor	0.98	
T Ambient	-30 - +40°C	
Sound Rating	Class A	

Photometric Data



SMD4R69SWH - 3000K.IES
 Spacing criterion: (0-180) 1.26
 (90-270) 1.26
 (Diagonal) 1.38
 Beam Angle: 112°
 Lumens: 737
 Input Watts: 9.1 W
 Efficacy: 81 LPW
 Test Report:
 SMD4R69SWH - 3000K.IES

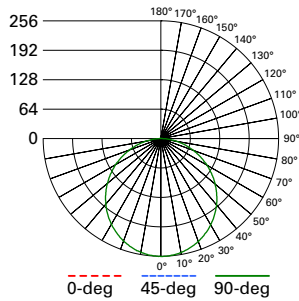
Zonal Lumen	Lumens	% Lumens
0-30	196	26.5
0-40	321	43.5
0-60	569	77.2
0-90	732	99.3



SMD4R69SWH	CCT	Watts	Lumens	LPW	CRI
600 Lumen 4" Round Selectable CCT	2700K	9.3	702	75.2	93
	3000K	9.4	718	76.7	93
	3500K	9.4	733	78.4	94
	4000K	9.4	747	79.9	94
	5000K	9.3	763	81.7	93

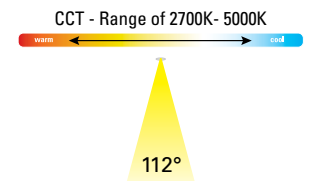
PRODUCT SPECIFICATIONS

Lumens	718
Watts	9.4
Lumens Per Watt (Efficacy)	76.4
Color Accuracy (CRI)	93
Light Color (CCT) <small>Correlated Color Temperature (CCT)</small>	3000K



SMD4S69SWH - 3000K.IES
 Spacing criterion: (0-180) 1.26
 (90-270) 1.28
 (Diagonal) 1.38
 Beam Angle: 112°
 Lumens: 741
 Input Watts: 9.2 W
 Efficacy: 81 LPW
 Test Report:
 SMD4S69SWH - 3000K.IES

Zonal Lumen	Lumens	% Lumens
0-30	198	26.7
0-40	324	43.7
0-60	575	77.6
0-90	738	99.5



SMD4S69SWH	CCT	Watts	Lumens	LPW	CRI
600 Lumen 4" Square Selectable CCT	2700K	9.5	710	74.8	92
	3000K	9.5	724	76.1	93
	3500K	9.5	738	77.4	94
	4000K	9.5	749	78.5	94
	5000K	9.5	757	79.4	93

PRODUCT SPECIFICATIONS

Lumens	724
Watts	9.5
Lumens Per Watt (Efficacy)	76.2
Color Accuracy (CRI)	93
Light Color (CCT) <small>Correlated Color Temperature (CCT)</small>	3000K