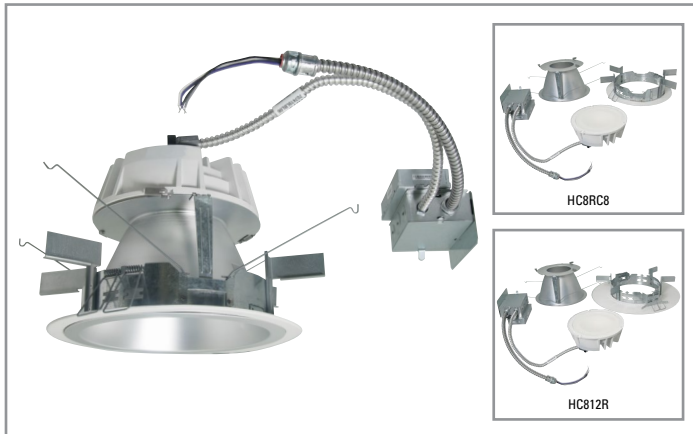


Project		Catalog #		Type	
Prepared by		Notes		Date	



HALO Commercial

HC8R | HM8 | 81

8-inch downlight retrofit kits

Typical Applications

Office • Education • Healthcare • Hospitality

Interactive Menu

- Order Information page 2
- Product Specifications page 3
- Photometric Data page 4
- Energy & Performance Data page 7
- Connected Systems page 8
- Product Warranty

Product Certification



Product Features



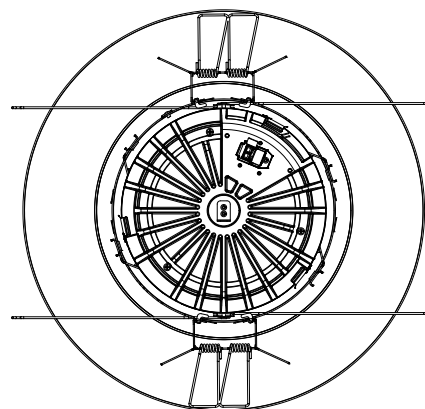
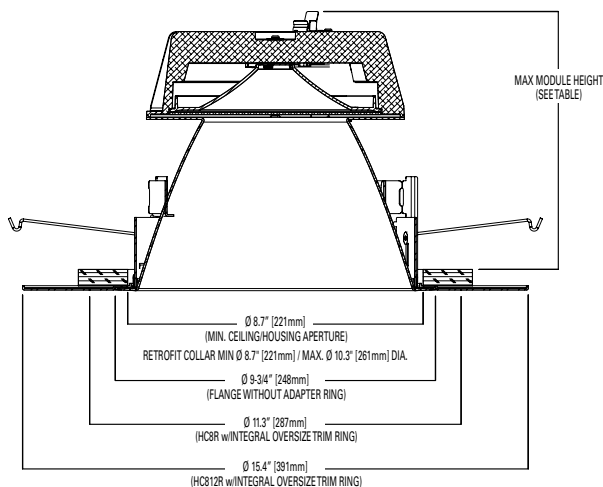
Control Compatibility



Top Product Features

- Two retrofit kits available for 8.7" to 10" and 12" nominal aperture open frame housings
- Lumen output in 500 to 8,000 lumens
- Color temperature in 2700K, 3000K, 3500K, 4000K, 5000K CCT
- CRI in 80 CRI or 90 CRI
- Reflector distribution in Narrow, Medium, Wide, and Wall Wash with rotatable linear spread lens
- Reflector finish in Specular clear, semi-specular (haze), matte white, black baffle, and white baffle finishes

Dimensional and Mounting Details



HM8 Low Lumen LED Module
500 to 2000 lumens

HM8 Mid Lumen LED Module
2500 to 5500 lumens

HM8 High Lumen LED Module
6000 and 8000 lumens

Reflector	Max. Module Height
Narrow	7.9"
Medium	7.5"
Wide	6.8"
Baffle	6.8"

Order Information

SAMPLE ORDER NUMBER: **HC8R20D010 – HM80520835 - 81MDC**

A complete luminaire consists of a retrofit kit, LED module, and reflector; ordered separately

Retrofit Kit ⁽¹⁾	Lumens	Driver Options	Factory Installed Emergency & Connected Lighting Options	Accessories (Order & Install Separately)
<p>HC8R = 8.7" retrofit kit for 8.73" to 10.3" nominal ceiling cutout aperture with preinstalled 11.3" O.D. oversized matte white trim ring</p> <p>HC812R = 12" retrofit kit for 12" nominal ceiling cutout aperture with preinstalled 15.375" O.D. oversized matte white trim ring⁽⁷⁾</p>	<p>05 = 500 lm</p> <p>07 = 750 lm</p> <p>10 = 1000 lm</p> <p>15 = 1500 lm</p> <p>20 = 2000 lm</p> <p>25 = 2500 lm</p> <p>30 = 3000 lm</p> <p>35 = 3500 lm</p> <p>40 = 4000 lm</p> <p>45 = 4500 lm⁽⁵⁾</p> <p>50 = 5000 lm⁽⁵⁾</p> <p>55 = 5500 lm⁽⁵⁾</p> <p>60 = 6000 lm⁽⁵⁾</p> <p>80 = 8000 lm⁽⁵⁾</p>	<p>D010=UNV 120-277V, 50/60Hz, 0-10V 1%-100% dimming at 120-277V on 0-10V controls</p> <p>Canada Option 500-4000 lumens: D010347 = 347VAC 50/60Hz 0-10V 1%-100% dimming. For 500, 750, 1000, 1500, 2000, 2500, 3000, 3500, 4000lm models only⁽¹⁾</p> <p>Canada Option 4500-8000 lumens: D010X347 = step down transformer factory installed (with standard "D010" 120V-277V LED driver). For 4500, 5000, 5500, 6000, 8000lm models only⁽¹⁾</p>	<p>REM7 = 7 watt emergency battery pack with remote test / indicator light, use with D010 only⁽¹⁾⁽²⁾</p> <p>REM14 = 14 watt emergency battery pack with remote test / indicator light, use with D010 only⁽¹⁾⁽²⁾</p> <p>BOD7ST = 7.5 watt Bodine self-test emergency battery pack with remote test / indicator light, use with D010 only⁽¹⁾⁽²⁾</p> <p>WTA = Factory WaveLinX PRO Tilemount Sensor Kit⁽³⁾</p> <p>WTK = Factory WaveLinX LITE Tilemount Sensor Kit⁽⁴⁾</p> <p>WPN = WaveLinX PRO Wireless Node without Sensor⁽¹⁰⁾</p> <p>WLN = WaveLinX LITE Wireless Node without Sensor⁽¹¹⁾</p>	<p>H347 = 347 to 120V step down transformer, 75VA</p> <p>H347200 = 347 to 120V step down transformer, 200VA</p> <p>WTA = Field WaveLinX PRO Tilemount Sensor Kit⁽³⁾</p> <p>WTK = Field WaveLinX LITE Tilemount Sensor Kit⁽⁴⁾</p>
<p>Notes</p> <p>(1) Not available with CP models</p> <p>(7) Not available with DLV driver</p>	<p>Notes</p> <p>(5) Marked Spacing: Center to Center of Adjacent Luminaires = 36" Center of Luminaire to Building Member = 18" Minimum overhead = 0.5"</p>	<p>Notes</p> <p>(1) Not available with CP models</p>	<p>Notes</p> <p>(1) Not available with CP models</p> <p>(2) Not available with D010347 (347V driver)</p> <p>(3) WTA = WaveLinX tilemount sensor kit for daylight dimming, PIR motion sensing, and optional RLTS - Real Time Location Services, use with D010 only (Refer to WaveLinX specifications)</p> <p>(4) WTK = WaveLinX LITE tilemount sensor kit for daylight dimming, PIR motion sensing, use with D010 only (Refer to WaveLinX LITE specifications)</p> <p>(6) Emergency battery backup options are Non-IC only, and rated for a minimum starting temperature of 0°C</p> <p>(10) WPN = WaveLinX PRO wireless node provides luminaire-level control with scene and zone configuration without an integrated sensor; Connects wirelessly with daylight dimming sensor and PIR motion sensor if desired. Use with 0-10V driver only. Not compatible with 347V or Chicago plenum. (Refer to WaveLinX PRO specifications.)</p> <p>(11) WLN = WaveLinX LITE wireless node provides luminaire-level control with scene and zone configuration without an integrated sensor; Connects wirelessly with daylight dimming sensor and PIR motion sensor if desired. Use with 0-10V driver only. Not compatible with 347V or Chicago plenum. (Refer to WaveLinX LITE specifications.)</p>	<p>Notes</p> <p>(3) WTA = WaveLinX PRO tilemount sensor kit for daylight dimming, PIR motion sensing, and optional RLTS - Real Time Location Services, use with D010 only. (Refer to WaveLinX PRO specifications.)</p> <p>(4) WTK = WaveLinX LITE tilemount sensor kit for daylight dimming, PIR motion sensing, use with D010 only. (Refer to WaveLinX LITE specifications.)</p>

Module	Lumens	CRI / CCT
HM8 = 8" LED Modules	<p>0520 = 500 - 2000 lumen</p> <p>2555 = 2500-5500 lumen</p> <p>6080 = 6000-8000 lumen</p>	<p>827 = 80CRI, 2700K</p> <p>830 = 80CRI, 3000K</p> <p>835 = 80CRI, 3500K</p> <p>840 = 80CRI, 4000K</p> <p>850 = 80CRI, 5000K</p> <p>927 = 90CRI, 2700K</p> <p>930 = 90CRI, 3000K</p> <p>935 = 90CRI, 3500K</p> <p>940 = 90CRI, 4000K</p> <p>950 = 90CRI, 5000K</p>
Notes	Notes	Notes

Reflector	Distribution ⁽⁹⁾	Finish	Flange	Accessories
81 = 8" conical reflector	<p>ND = narrow reflector 13° beam angle, 0.24 SC</p> <p>MD = medium reflector 37° beam angle, 0.60 SC</p> <p>WD = wide reflector 71° beam angle, 1.08 SC</p> <p>RWW = rotatable wall wash with linear spread lens</p>	<p>C = Specular clear</p> <p>H = Semi-specular clear</p> <p>W = White</p>	<p>Blank = Polished flange standard with C & H reflectors</p> <p>Blank = White flange standard with W reflector</p> <p>WF = White flange option available with C & H reflectors</p> <p>BF = Black Flange option available with C, H & W reflectors</p>	81RWWPK = Replacement part kit - wall wash lens insert - for use with 81RWW* only
81 = 8" baffle reflector	<p>WD = wide baffle 71° beam angle, 1.08 SC</p> <p>RWW = rotatable wall wash with linear spread lens (wide beam baffle with lens wall wash)</p>	<p>BB = Black baffle</p> <p>WB = White baffle</p>	<p>Blank = White flange standard with BB & WB reflectors</p> <p>BF = Black flange option available with BB reflectors</p>	
81PS = 8" non-conductive polymer conical reflector ⁽⁸⁾	<p>MD = medium reflector 37° beam angle, 0.60 SC</p>	<p>W = White</p>	<p>Blank = White flange standard with W reflector</p> <p>BF = Black Flange option available with W reflectors</p>	
Notes	Notes	Notes	Notes	Notes
(8) 81PS reflector is for Non-IC environment only, and up to 4000 lumens only	(9) Values are nominal, based on specular clear reflector, other may vary.			

Product Specifications

Retrofit Kit

- Designed for installation from below the finished ceiling into existing open frame commercial housings
- HC8R kit that fits 8.73" to 10.3" nominal ceiling cutout apertures includes a retrofit galvanized steel collar preinstalled with an integral 11.3" oversized matte white trim ring. Kit also includes junction box / driver pack with metallic cable for retrofit wiring.
- HC812R kit that fits 12.0" nominal ceiling cutout apertures includes a retrofit galvanized steel collar preinstalled in an integral 15.37" oversized matte white trim ring. Kit also includes junction box / driver with metallic cable for retrofit wiring.
- Retrofit collars are 2" thick with sturdy remodel spring clips – to be installed from below the ceiling

LED Module

- Proximity phosphors over chip on board LEDs provide a uniform source with high efficiency and no pixilation
- Available in 80 or 90 CRI minimum, provides accuracy within 3 SDCM color uniformity
- 90 CRI, R9>50 (refer to photometry section for colorimetric data)
- Available in 2700K, 3000K, 3500K, 4000K and 5000K correlated color temperature (CCT)
- Lumen options include 500, 750, 1000, 1500, 2000, 2500, 3000, 3500, 4000, 4500, 5000, 5500, 6000, 8000 lumens (nominal)
- Passive thermal management achieves L70 at 60,000 hours in IC and non IC applications (refer to compliance listings)
- Integral diffuse lens provides visual shielding
- Integral connector allows quick connection to housing flex

Reflector

- Self-flanged aluminum reflectors are available in narrow, medium or wide distribution patterns
- Medium distribution non-conductive polymer matte white reflector for use in meeting 'dead front' applications
- Wall wash reflector features a rotatable linear spread lens for precise alignment of vertical illumination.
- Reflectors attach to LED module with (3) speed clamps
- Multiple painted or plated finishes are available

Reflector / Module Retention

- Reflector / module assembly is securely retained in the housing with (2) torsion springs

Driver

- Field replaceable constant current driver
- UNV 120-277VAC 50/60Hz input standard
- Continuous 1% - 10% dimming with 0-10V analog controls

Canada Options

- 347VAC 50/60Hz; 1% dimming on 0-10V analog control, for 500, 750, 1000, 1500, 2000, 2500, 3000, 3500, 4000 lumen models only
- 347V step down transformer factory installed with the standard "D010" 120V-277V, LED driver on 4500, 5000, 5500, 6000, 8000 lumen models only

Emergency Options

- Provides 90 minutes of standby lighting meeting most life safety codes for egress
- Available with remote charge indicator and test switch
- Available Self-Test (self-diagnostic), with remote charge indicator and test switch

Connected Lighting System

Two WaveLinx connected solutions to choose from. Refer to WaveLinx system specifications and application guides for details.

WaveLinx PRO Tilemount Sensor Kit

- WaveLinx PRO WTA tilemount sensor kit offers daylight dimming, PIR motion sensing, scene and zone configuration, automatic commissioning; and optional RLTS - Real Time Location Services available.

WaveLinx PRO Wireless Node

- WaveLinx PRO WPN wireless node provides luminaire-level control with scene and zone configuration without an integrated sensor; Connects wirelessly with daylight dimming sensor and PIR motion sensor if desired. Use with 0-10V driver only. **Note:** Not compatible with 347V or Chicago plenum.

WaveLinx LITE Tilemount Sensor Kit

- WaveLinx LITE WTK tilemount sensor kit offers daylight dimming and PIR motion sensing, scene and grouping configuration.

WaveLinx LITE Wireless Node

- WaveLinx LITE WLN wireless node provides luminaire level control with scene and zone configuration without an integrated sensor; Connects wirelessly with daylight dimming sensor and PIR motion sensor if desired. Use with 0-10V driver only. **Note:** Not compatible with 347V or Chicago plenum.

WaveLinx Tilemount Sensor Kits Application

- The WTA and WTK tilemount sensor kits include a control module mounted on the luminaire junction box via 1/2" knock-out, and a tilemount sensor on 54-inch whip; for ceiling installation by direct-mount spring clips or via mounting bracket in octagon ceiling boxes.
- The WTA and WTK tilemount sensor kits may be ordered as factory installed on the luminaire, or ordered separately as a field installed accessory kit.
- **Note: WaveLinx PRO devices are only compatible with the WaveLinx PRO system.**
- **Note: WaveLinx LITE devices are only compatible with the WaveLinx LITE system.**

Junction Box

- Galvanized steel junction box
- 20 in³ internal volume excluding voltage barrier
- 25 in³ internal total volume
- Voltage divider for 0-10V dimming wires [occupies (1) 1/2" pry-out space]
- Listed for (8) #12 AWG (four in, four out) 90° C conductors and feed-thru branch wiring
- (3) 1/2" and (2) 3/4" trade size pry-outs available
- (3) 4-port push wire nuts for mains voltage, with 1-port for fixture connection

Compliance

- cULus Certified to UL 1598 / C22.2 No. 250.0, suitable for damp locations and wet locations in covered ceilings only
- Emergency options provided with UL Listed emergency drivers to UL 924 / C22.2 No. 141, suitable for indoor/damp locations.
- Non-IC rated 3000, 3500, 4000, 4500, 5000, 5500, 6000, 8000 lumen models. Insulation must be kept 3" from top and sides.
- IC rated 500, 750, 1000, 1500, 2000, 2500 lumen models are suitable for direct contact with air permeable insulation (also suitable for Non-IC)
- Non-IC marked spacing required for 3500, 4000, 4500, 5000, 5500, 6000, 8000 lumen models
 - Marked Spacing Center to Center of Adjacent Luminaires = 36"
 - Center of Luminaire to Building Member = 18"
 - Minimum overhead = 0.5"
- Emergency battery backup options are Non-IC only.
- Not for use in direct contact with spray foam insulation, consult NEMA LSD57-2013
- Airtight per ASTM-E283-04
- Suitable for use in clothes closets when installed in accordance with the NEC 410.16 spacing requirements
- EMI/RFI emissions FCC CFR Title 47 Part 15 Class A 120/277V
- Contains no mercury or lead and RoHS compliant
- Photometric testing in accordance with IES LM-79-08
- Lumen maintenance projections in accordance with IES LM-80-08 and TM-21-11
- 1500, 2000, 3000 lumen 90 CRI IC rated models may be used to comply with State of California Title 24 residential code, per JA8 certification standards
- May be used to comply with State of California Title 24 non-residential code, in Non-IC, as a dimmable LED luminaire
- ENERGY STAR® certified, refer to certified light fixtures database

Warranty

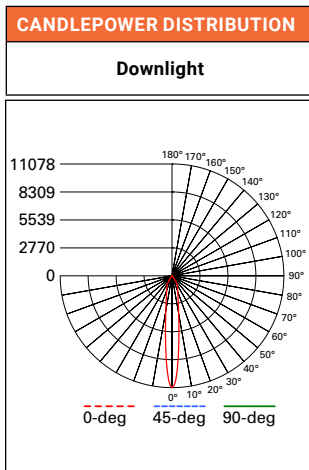
- Five year limited warranty, consult website for details. www.cooperlighting.com/legal

Photometric Data

[View IES files](#)

NARROW DISTRIBUTION - SPECULAR CLEAR FINISH, 2000 LUMEN MODEL, 80 CRI, 3500K

NARROW (55° BEAM*)	
Test Number	P575618
Housing	HC820D010 ⁽¹⁾
Module	HM80520835
Reflector	81NDC
Lumens	2237 Lm
Efficacy	111.8 Lm/W
SC	0.22
UGR	11.7



CONE OF LIGHT				
MH	FC	L	W	
5.5'	451.4	1.2	1.2	
7'	278.6	1.4	1.4	
8'	213.3	1.6	1.6	
9'	168.6	1.8	1.8	
10'	136.5	2.2	2.2	
12'	94.8	2.6	2.6	

CANDELA TABLE	
Degrees Vertical	Candela
0	13653
5	8724
15	2306
25	1331
35	319
45	47
55	3
65	2
75	0
85	2
90	0

ZONAL LUMEN SUMMARY		
Zone	Lumens	% Fixture
0-30	1946	87
0-40	2190	97.9
0-60	2234	99.9
0-90	2237	100
90-180	0	0
0-180	2237	100

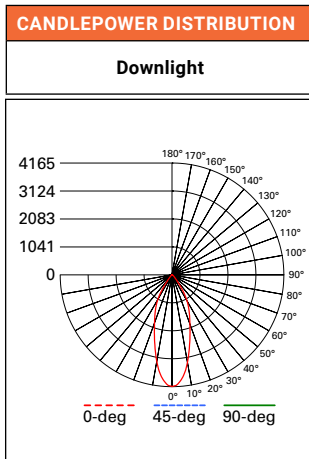
LUMINANCE	
Average Candela Degrees	Average 0° Luminance
45	2037
55	161
65	109
75	0
85	531

*Value are nominal with specular clear reflectors, other finishes and field results may vary.
SC = Spacing Criteria
UGR = Unified Glare Rating

1. Test with HC820D010 also applies to HC8R20D010 and HC812RD010 retrofits using same reflector and LED module.

MEDIUM DISTRIBUTION - SPECULAR CLEAR FINISH, 2000 LUMEN MODEL, 80 CRI, 3500K

MEDIUM (60° BEAM*)	
Test Number	P575617
Housing	HC820D010 ⁽¹⁾
Module	HM80520835
Reflector	81MDC
Lumens	2434 Lm
Efficacy	121.7 Lm/W
SC	0.58
UGR	11.8



CONE OF LIGHT				
MH	FC	L	W	
5.5'	155.9	3.2	3.2	
7'	96.3	4	4	
8'	73.7	4.6	4.6	
9'	58.2	5.2	5.2	
10'	47.2	5.8	5.8	
12'	32.8	7	7	

CANDELA TABLE	
Degrees Vertical	Candela
0	4716
5	4483
15	2870
25	1630
35	592
45	93
55	14
65	3
75	0
85	0
90	0

ZONAL LUMEN SUMMARY		
Zone	Lumens	% Fixture
0-30	1954	80.3
0-40	2339	96.1
0-60	2431	99.9
0-90	2434	100
90-180	0	0
0-180	2434	100

LUMINANCE	
Average Candela Degrees	Average 0° Luminance
45	4073
55	731
65	219
75	0
85	0

*Value are nominal with specular clear reflectors, other finishes and field results may vary.
SC = Spacing Criteria
UGR = Unified Glare Rating

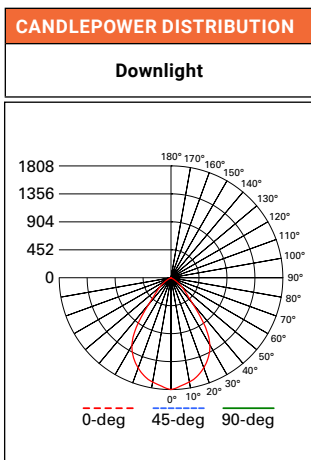
1. Test with HC820D010 also applies to HC8R20D010 and HC812RD010 retrofits using same reflector and LED module.

Photometric Data

View IES files

WIDE DISTRIBUTION - SPECULAR CLEAR FINISH, 2000 LUMEN MODEL, 80 CRI, 3500K

WIDE (65° BEAM*)	
Test Number	P575620
Housing	HC820D010 ⁽¹⁾
Module	HM80520835
Reflector	81WDC
Lumens	2531 Lm
Efficacy	126.5 Lm/W
SC	1.1
UGR	11.6



CONE OF LIGHT			
MH	FC	L	W
5.5'	65.1	6	6
7'	40.2	7.6	7.6
8'	30.8	8.6	8.6
9'	24.3	9.8	9.8
10'	19.7	10.8	10.8
12'	13.7	13	13

CANDELA TABLE	
Degrees Vertical	Candela
0	1969
5	1909
15	1809
25	1585
35	1107
45	389
55	130
65	15
75	2
85	0
90	0

ZONAL LUMEN SUMMARY		
Zone	Lumens	% Fixture
0-30	1415	55.9
0-40	2076	82
0-60	2510	99.2
0-90	2531	100
90-180	0	0
0-180	2531	100

LUMINANCE	
Average Candela Degrees	Average 0° Luminance
45	16947
55	6962
65	1094
75	179
85	0

*Value are nominal with specular clear reflectors, other finishes and field results may vary.
 SC = Spacing Criteria
 UGR = Unified Glare Rating

1. Test with HC820D010 also applies to HC8R20D010 and HC812RD010 retrofits using same reflector and LED module.

Photometric Multipliers (Nominal Lumen Values)

500 Lumen	750 Lumen	1000 Lumen	1500 Lumen	2000 Lumen	2500 Lumen	3000 Lumen	3500 Lumen
0.32	0.43	0.53	0.72	1.00	1.24	1.51	1.80

4000 Lumen	4500 Lumen	5000 Lumen	5500 Lumen	6000 Lumen	8000 Lumen
2.10	2.26	2.39	2.50	2.63	3.05

Multipliers for relative lumen values with other series models.

Color Finish Multipliers

Finish code	C	H	W	BB
Finish	Specular Clear	Semi-Specular	Matte White	Black Baffle (lower cone)
Multiplier	1.00	0.95	0.91	0.89

Multipliers for relative lumen values with other color finishes.

CCT Multipliers – 80CRI

2700K	3000K	3500K	4000K	5000K
0.97	0.96	1.00	1.07	1.07

Multipliers for relative lumen values with other series color temperatures.

CCT Multipliers – 90CRI

2700K	3000K	3500K	4000K	5000K
0.78	0.87	0.92	0.94	0.94

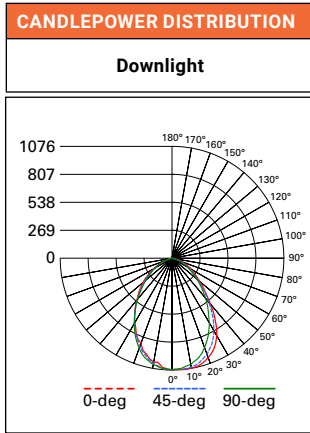
Multipliers for relative lumen values with other series color temperatures.

Photometric Data

[View IES files](#)

WALL WASH DISTRIBUTION - SPECULAR CLEAR FINISH, 2000 LUMEN MODEL, 80 CRI, 3500K

WALL WASH	
Test Number	P575619
Housing	HC820D010 ⁽¹⁾
Module	HM80520835
Reflector	81RWWC
Lumens	2145 Lm
Efficacy	107.2 Lm/W
SC	1.08



CANDELA TABLE	
Degrees Vertical	Candela
0	1129
5	1139
15	1127
25	1028
35	803
45	524
55	330
65	197
75	90
85	15
90	0

ZONAL LUMEN SUMMARY		
Zone	Lumens	% Fixture
0-30	831	38.7
0-40	1278	59.6
0-60	1933	90.1
0-90	2145	100
90-180	0	0
0-180	2145	100

LUMINANCE	
Average Candela Degrees	Average 0° Luminance
45	22864
55	17741
65	14403
75	10770
85	5307

SC = Spacing Criteria, nominal for specular clear reflector, other finishes and field results may vary.

1. Test with HC820D010 also applies to HC8R20D010 and HC812RD010 retrofits using same reflector and LED module.

SINGLE UNIT FOOTCANDLES							
2.5' from wall (distance from fixture along wall)							
1	20.6	14.6	6.2	2.3	0.8	0.3	0.1
2	30	23.2	12.3	5.7	2.6	1.2	0.6
3	27.9	23	13.8	7.2	3.7	1.9	1
4	21	18.3	12.5	7.4	4.1	2.3	1.3
5	14.3	13	9.9	6.6	4.1	2.5	1.5
6	9.7	9	7.4	5.4	3.7	2.4	1.6
7	6.7	6.3	5.5	4.3	3.2	2.2	1.5
8	4.7	4.5	4	3.4	2.6	1.9	1.4
9	3.4	3.3	3.1	2.6	2.1	1.7	1.3
10	2.6	2.5	2.3	2.1	1.7	1.4	1.1

MULTIPLE UNIT FOOTCANDLES								
2.5' from wall (Distance from fixture along wall)			2.5' from wall (Distance from fixture along wall)					
3'			4'					
1	22.9	20	22.9	21.4	12.5	21.4		
2	35.7	35	35.7	32.6	24.7	32.6		
3	35.1	36.6	35.1	31.6	27.7	31.6		
4	28.4	31	28.4	25.2	25	25.2		
5	20.9	23.2	20.9	18.4	19.8	18.4		
6	15.1	16.6	15.1	13.3	14.8	13.3		
7	11	11.9	11	9.8	10.9	9.8		
8	8.1	8.7	8.1	7.3	8.1	7.3		
9	6.1	6.4	6.1	5.6	6.1	5.6		
10	4.6	4.9	4.6	4.3	4.7	4.3		

Photometric Multipliers (Nominal Lumen Values)

500 Lumen	750 Lumen	1000 Lumen	1500 Lumen	2000 Lumen	2500 Lumen	3000 Lumen	3500 Lumen
0.32	0.43	0.53	0.72	1.00	1.24	1.51	1.80

4000 Lumen	4500 Lumen	5000 Lumen	5500 Lumen	6000 Lumen	8000 Lumen
2.10	2.26	2.39	2.50	2.63	3.05

Multipliers for relative lumen values with other series models.

Color Finish Multipliers

Finish code	C	H	W	BB
Finish	Specular Clear	Semi-Specular	Matte White	Black Baffle (lower cone)
Multiplier	1.00	0.95	0.91	0.89

Multipliers for relative lumen values with other color finishes.

CCT Multipliers – 80CRI

2700K	3000K	3500K	4000K	5000K
0.97	0.96	1.00	1.07	1.07

Multipliers for relative lumen values with other series color temperatures.

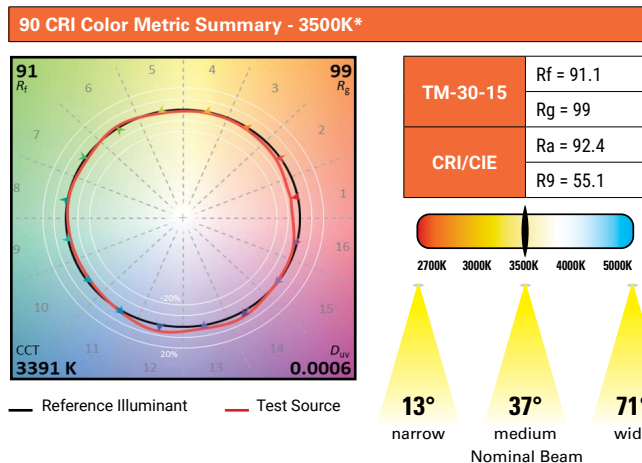
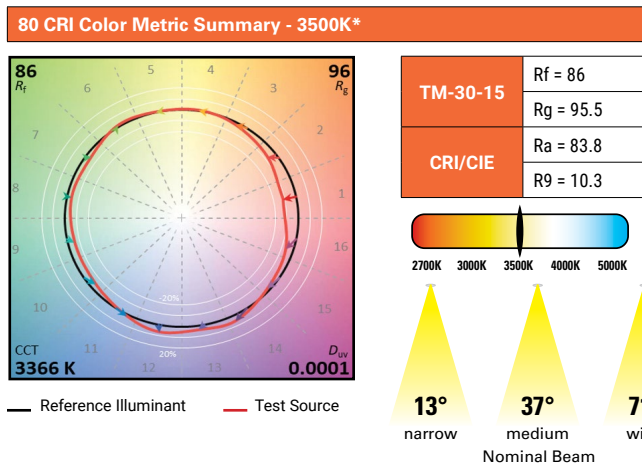
CCT Multipliers – 90CRI

2700K	3000K	3500K	4000K	5000K
0.78	0.87	0.92	0.94	0.94

Multipliers for relative lumen values with other series color temperatures.

Energy and Performance Data

COLOR METRICS - TM-30-15 & CRI/CIE (3500K)



ENERGY DATA

Series	500 lumen		750 lumen		1000 lumen		1500 lumen		2000 lumen	
	120V	277V	120V	277V	120V	277V	120V	277V	120V	277V
Input Voltage 120-277VAC	120V	277V	120V	277V	120V	277V	120V	277V	120V	277V
Input Current (A)	0.051	0.026	0.067	0.036	0.083	0.039	0.119	0.053	0.171	0.077
Input Power (W)	6.1	6.5	7.9	8.3	10	10.4	14.5	14.5	20.9	20.6
In-rush (A)	1.9	8.4	2	8.4	2.2	8.5	2.7	8.5	2.1	9.7
Inrush duration (µs)	251	135	237	133	250	134	250	139	245	131
THD (%)	6.2	13.5	7.4	8.8	5.4	10.3	10	6.7	6.5	7.9
PF	≥ 0.99	≥ 0.9	≥ 0.98	≥ 0.92	≥ 0.99	≥ 0.95	≥ 0.99	≥ 0.97	≥ 0.99	≥ 0.96

Series	2500 lumen		3000 lumen		3500 lumen		4000 lumen		4500 lumen	
	120V	277V	120V	277V	120V	277V	120V	277V	120V	277V
Input Voltage 120-277VAC	120V	277V	120V	277V	120V	277V	120V	277V	120V	277V
Input Current (A)	0.2	0.088	0.24	0.107	0.292	0.152	0.351	0.159	0.384	0.172
Input Power (W)	23.9	23.8	28.6	28.5	34.6	35.1	42.1	42.1	45.9	45.6
In-rush (A)	2.1	9.9	2.5	11.6	3.4	13.9	3.1	14.7	3.1	14.8
Inrush duration (µs)	244	137	216	111	183	95	200	98	202	100
THD (%)	8.7	6.7	7.8	8.3	5.6	10	4.1	9.5	4.5	8.5
PF	≥ 0.99	≥ 0.96	≥ 0.99	≥ 0.96	≥ 0.99	≥ 0.93	≥ 0.99	≥ 0.94	≥ 0.99	≥ 0.95

Series	5000 lumen		5500 lumen		6000 lumen		8000 lumen	
	120V	277V	120V	277V	120V	277V	120V	277V
Input Voltage 120-277VAC	120V	277V	120V	277V	120V	277V	120V	277V
Input Current (A)	0.419	0.186	0.457	0.201	0.489	0.214	0.61	0.29
Input Power (W)	50.1	49.5	54.6	53.7	58.4	57.4	72.5	72.9
In-rush (A)	3.1	15	3.2	14.8	3.4	14.8	6.8	12.9
Inrush duration (µs)	202	117	196	131	192	121	119	109
THD (%)	5.5	7.6	7	7.2	8.1	7.2	10.1	18.6
PF	≥ 0.99	≥ 0.96	≥ 0.99	≥ 0.96	≥ 0.99	≥ 0.97	≥ 0.98	≥ 0.91

Minimum starting temperature -30°C (-22°F)*
(Nominal input 120-277VAC & 100% of rated output power)

Sound Rating: Class A standards

Notes:

* Emergency Battery packs are rated for a minimum starting temperature of 0°C.

Connected Solutions



WaveLinX LITE Wireless Node - WLN

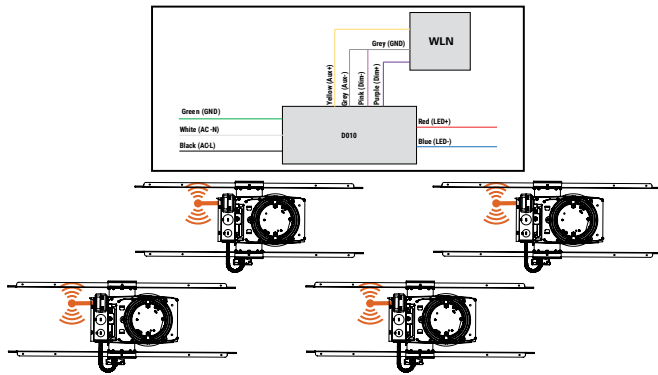
WaveLinX LITE devices only compatible with the WaveLinX LITE system.

- Intuitive Android™ or Apple® iOS® app for basic system code compliant set up and configuration via Bluetooth
- Up to 28 unique areas per project site (WaveLinX LITE Bluetooth network)
- Up to 50 devices for an area, any one of 16 control zones, up to 6 occupancy sets, and custom lighting scenes
- Refer to the WaveLinX system specifications for details

WaveLinX mobile app settings



WaveLinX LITE Wireless Node (WLN) Wiring Diagram



WaveLinX LITE Bluetooth Enabled System



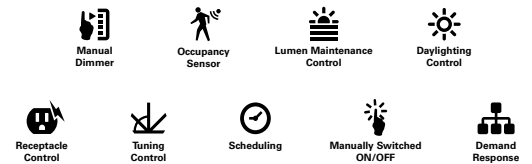
WaveLinX PRO Wireless Node - WPN

WaveLinX PRO devices only compatible with the WaveLinX PRO system.



- WaveLinX Wireless functionality configures zones and customizes settings from one secure mobile app
- Automatic code commissioning that meets the strictest codes
- Fixtures and sensors integrate with WaveLinX Area Controller, Wall Stations, and Control Devices
- Stand-Alone Offices or Entire Building Network Installations

WaveLinX mobile app settings



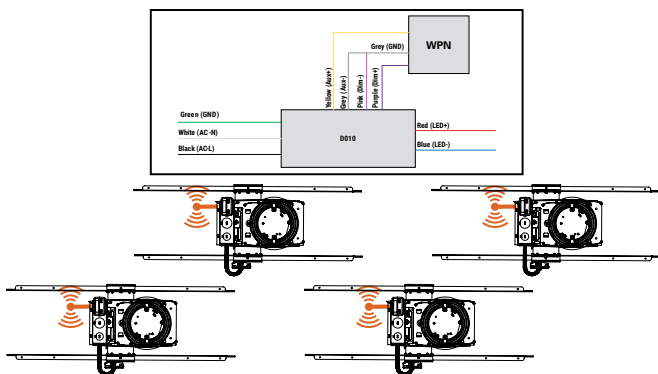
Downlights with wireless communication
Highly efficient LED fixtures

WaveLinX Area Controller
Provides centralized coordination of multiple area control options

Wireless Wall Station/Receptacle
Provides customized wireless control of each area

Mobile Applications
Provides personalized, local control from a tablet or smartphone

WaveLinX PRO Wireless Node (WPN) Wiring Diagram



WaveLinX CORE Building Management Integration

