

GMDS – Momentary Decorator Switch

Catalog#	Prepared by
Project	Date
Comments	Type

Overview

The Momentary Decorator Switch is a system accessory for the Greengate Lighting Control System. This switch is recommended for most low voltage switching applications and fits a standard decorator wallplate.

Features

- When pressed, momentary contact establishes circuit contact in the closed position. When not pressed, the switch is in the (open) position.
- Thermoplastic rocker, top, and backbody are virtually unbreakable to deliver years of durable performance
- Tri-combo screw heads offer greater installation flexibility



Specifications

Switch Type	Momentary Contact
Standards	UL Listed



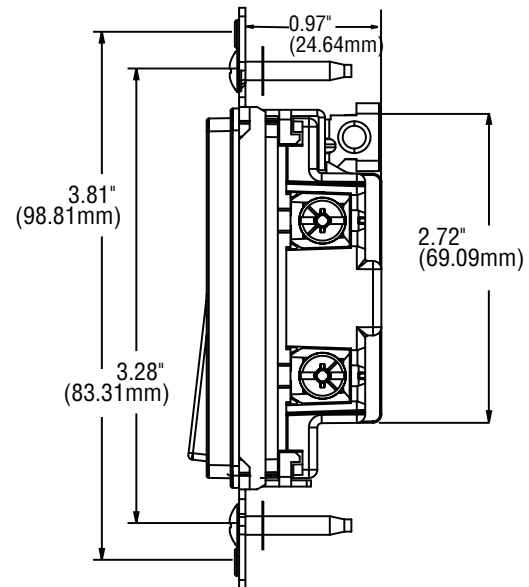
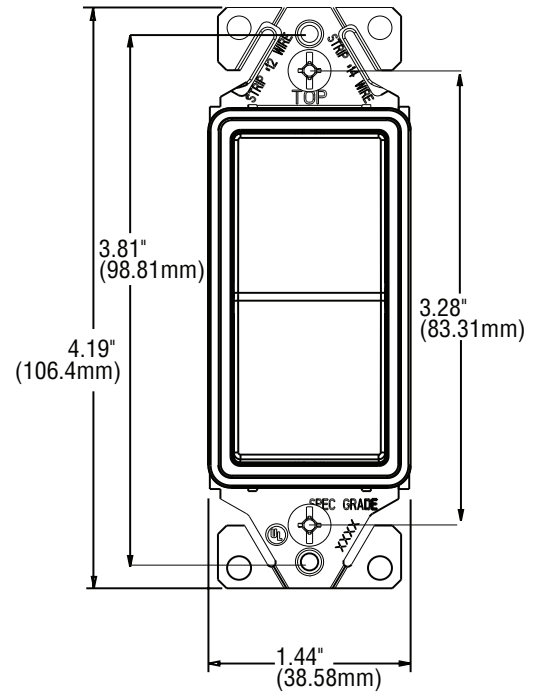
Description/Operation

The Momentary Decorator Switch is a line voltage switch used as a low voltage contact closure device used with Greengate Lighting Control Panels and Occupancy Sensors. When toggled, the switch momentarily makes a contact closure to the lighting control panel or occupancy sensor, sending an "ON" signal. When not pressed, the switch is in the (open) position.

Installation

This system accessory will require wall mounting and wiring at the site.

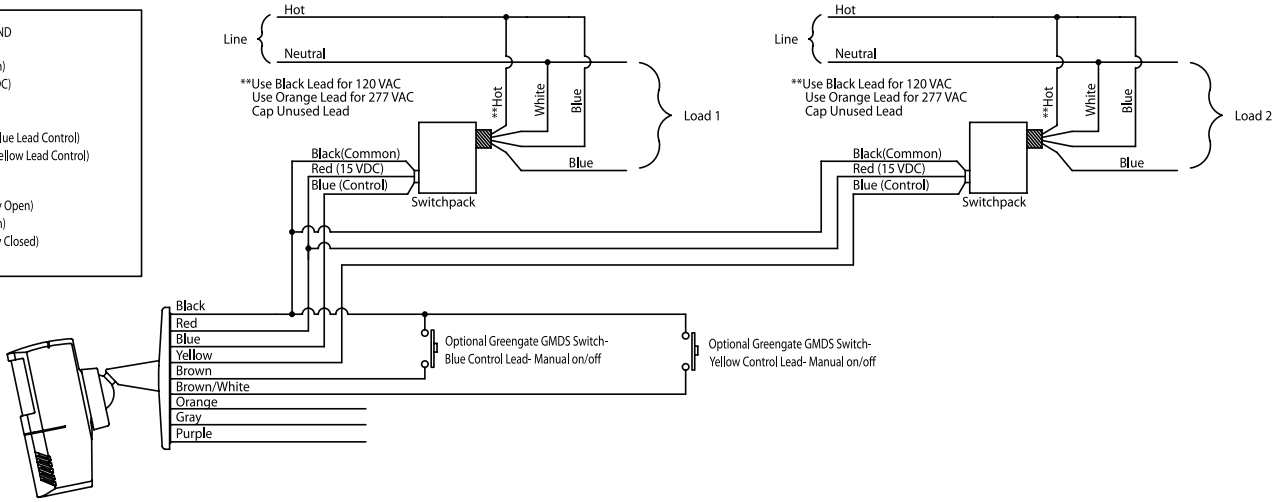
Dimensions



Wiring Diagram

Bi-level Switching

SENSOR WIRE LEAD LEGEND	
Black	(Common)
Red	(10-30 VDC)
Blue	(Control)
Yellow	(Control)
Brown	(Switch-Blue Lead Control)
Brown/White	(Switch-Yellow Lead Control)
Sensor's Isolated Relay	
Orange	(Normally Open)
Gray	(Common)
Purple	(Normally Closed)



Ordering

*Wallplate Not Included

This is an accessory for the Greengate Lighting Control System. It is not an integral part of the system. There is no factory assembly needed.

Catalog #	Description	Color
GMDS-W	Momentary Decorator Switch	White

*Refer to Screwless Wallplate spec sheet for ordering information at www.cooperlighting.com

Cooper Lighting Solutions
1121 Highway 74 South
Peachtree City, GA 30269
P:770-486-4800
www.cooperlighting.com

© 2020 Cooper Lighting Solutions
All Rights Reserved
Printed in USA
Publication No. ACC131626
October 22, 2014

Cooper Lighting Solutions is a registered trademark.

All other trademarks are property of their respective owners.

