

Project		Catalog #		Type	
Prepared by		Notes		Date	



# HALO Commercial

## PR6R | PR6M

6-inch LED self-flanged, lensed retrofit downlight and wall wash

### Typical Applications

Office • Healthcare • Hospitality • Institutional

### Interactive Menu

- Order Information page 2
- Product Specifications page 3
- Photometric Data page 4
- Energy & Performance Data page 6
- Connected Systems page 8
- Product Warranty

### Product Certification



### Product Features



### Control Compatibility

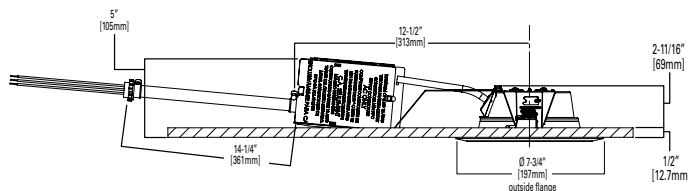


### Top Product Features

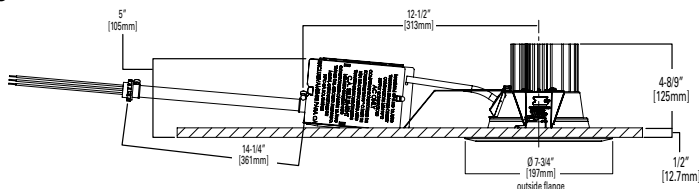
- Selectable lumens 1000/1500/2000 and 2000/3000/4000
- SeleCCTable color temperature 3000K/3500K/4000K
- Available in 80 CRI or 90 CRI
- Medium/Wide beam distribution lens; Wall wash accessory kit
- Retrofit 6-inch nominal commercial open frames 5.75" to 7.5" (up to 7.625" with oversize trim ring accessory)

### Dimensional and Mounting Details

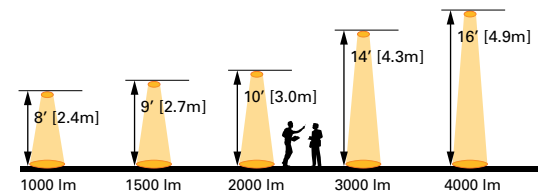
#### Low Lumen



#### High Lumen



### Scale



Nominal values for 15 - 20 footcandles at nadir.

[additional product diagrams](#)

## Order Information

SAMPLE ORDER NUMBER: **PR6RFS24D010REM7 – PR6M24MD8FSMW**

### Standard Driver 120-277VAC, 0-10V analog dimming

Mounting Frame	Lumens	Input / Control	Factory Installed Options	Frame Accessories
<p><b>PR6R</b> = 6" aperture retrofit kit frame arm with integrated junction box and driver</p> <p><b>PR6RCP</b> = 6" aperture retrofit kit frame arm with integrated junction box and driver, CCEA Chicago Plenum rated</p>	<p><b>Field Selectable</b><sup>(4)</sup></p> <p><b>FS12</b> = field selectable 1000, 1500 and 2000 lumens (nominal), use with PR6M12* LED modules only</p> <p><b>FS24</b> = field selectable 2000, 3000 and 4000 lumens (nominal), use with PR6M24* LED modules only</p> <p><b>Discrete (fixed) Factory Set</b><sup>(5)</sup></p> <p><b>10</b> = 1000 lumens (nominal), use with PR6M12* LED modules only</p> <p><b>15</b> = 1500 lumens (nominal), use with PR6M12* LED modules only</p> <p><b>30</b> = 3000 lumens (nominal), use with PR6M24* LED modules only</p>	<p><b>D010</b> = 120-277VAC 50/60Hz, 0-10V analog, 1%-100% dimming</p>	<p><b>REM7</b> = integral 7 watt emergency battery pack with remote test / indicator light, use with D010 only<sup>(1)</sup></p> <p><b>REM14</b> = integral 14 watt emergency battery pack with remote test / indicator light, use with D010 only<sup>(1)</sup></p> <p><b>BOD7ST</b> = 7.5 watt Bodine self-test diagnostic emergency module with remote test / indicator light, use with D010 only<sup>(1)</sup></p> <p><b>WTA</b> = Factory installed WaveLinX PRO Sensor Kit<sup>(1)(3)</sup></p> <p><b>WTK</b> = Factory installed WaveLinX LITE Sensor Kit<sup>(1)(6)</sup></p> <p><b>WPN</b> = WaveLinX PRO Wireless Node without sensor<sup>(7)</sup></p> <p><b>WLN</b> = WaveLinX LITE Wireless Node without Sensor<sup>(8)</sup></p>	<p><b>H347</b> = 347 to 120V step down transformer, 75VA</p> <p><b>H347200</b> = 347 to 120V step down transformer, 200VA</p> <p><b>WTA</b> = Field installed WaveLinX PRO Sensor Kit<sup>(1)(3)</sup></p> <p><b>WTK</b> = Field installed WaveLinX LITE Sensor Kit<sup>(1)(6)</sup></p> <p><b>HL6RSMF</b> = 6" aperture new construction mounting frame with integral wood &amp; T-grid bar hangers, adjust for 8" to 24" wide</p>
<p><b>Notes</b></p>	<p><b>Notes</b></p> <p>(4) FS12 factory preset 2000 lumens in PR6M12 LED module. FS24 factory preset 4000 lumens in PR6M24 LED module.</p> <p>(5) Driver has fixed lumen output. Lumen selector switch on LED modules do not change lumens in fixed output housings.</p>	<p><b>Notes</b></p>	<p><b>Notes</b></p> <p>(1) Not available for Chicago Plenum</p> <p>(3) WTA = WaveLinXPRO tile mount sensor kit for daylight dimming, PIR motion sensing, and optional RLTS - Real Time Location Services, use with D010 only (Refer to WaveLinX PRO system specifications)</p> <p>(6) WTK = WaveLinX LITE tile mount sensor kit for daylight dimming, PIR motion sensing, use with D010 only (Refer to WaveLinX LITE system specifications)</p> <p>(7) WPN = WaveLinX PRO wireless node provides luminaire-level control with scene and zone configuration without an integrated sensor; Connects wirelessly with daylight dimming sensor and PIR motion sensor if desired. Use with 0-10V driver only. Not compatible with 347V or Chicago plenum. (Refer to WaveLinX PRO system specifications.)</p> <p>(8) WLN = WaveLinX LITE wireless node provides luminaire-level control with scene and zone configuration without an integrated sensor; Connects wirelessly with daylight dimming sensor and PIR motion sensor if desired. Use with 0-10V driver only. Not compatible with 347V or Chicago plenum. (Refer to WaveLinX LITE system specifications.)</p>	<p><b>Notes</b></p> <p>(1) Not available for Chicago Plenum</p> <p>(3) WTA = WaveLinX PRO tile mount sensor kit for daylight dimming, PIR motion sensing, and optional RLTS - Real Time Location Services, use with D010 only (Refer to WaveLinX PRO system specifications.)</p> <p>(6) WTK = WaveLinX LITE tile mount sensor kit for daylight dimming, PIR motion sensing, use with D010 only (Refer to WaveLinX LITE system specifications.)</p>

### DLV Driver Distributed Low Voltage Power System

Mounting Frame	Lumens <sup>(9)</sup>	Input / Control	Factory Installed Options	DLV Frame Accessories
<p><b>PR6R</b> = 6" aperture retrofit frame arm with integrated junction box and low voltage DLVP system driver</p>	<p><b>10</b> = 1000 lumens (nominal), use with PR6M12* LED modules only</p> <p><b>15</b> = 1500 lumens (nominal), use with PR6M12* LED modules only</p> <p><b>20</b> = 2000 lumens (nominal), use with PR6M12* LED modules or with PR6M24* LED modules</p> <p><b>30</b> = 3000 lumens (nominal), use with PR6M24* LED modules only</p> <p><b>40</b> = 4000 lumens (nominal), use with PR6M24* LED modules only</p>	<p><b>DLV</b> = Distributed Low Voltage dimming driver 1%-100%, 1000-4000 lumens only. For use with DLVP system only, refer to DLVP specifications for details.<sup>(1)</sup></p>	<p><b>REMOV7</b> = 7 watt emergency battery pack with remote test / indicator light, use with DLV only<sup>(1)(2)</sup></p> <p><b>REMOV14</b> = 14 watt emergency battery pack with remote test / indicator light, use with DLV only<sup>(1)(2)</sup></p>	<p><b>HL6RSMF</b> = 6" aperture new construction mounting frame with integral wood &amp; T-grid bar hangers, adjust for 8" to 24" wide</p>
<p><b>Notes</b></p>	<p><b>Notes</b></p> <p>(5) Driver has fixed lumen output. Lumen selector switch on LED modules do not change lumens in fixed output housings.</p>	<p><b>Notes</b></p> <p>(1) Not available for Chicago Plenum</p>	<p><b>Notes</b></p> <p>(1) Not available for Chicago Plenum</p> <p>(2) ULus for U.S. only</p>	<p><b>Notes</b></p>

LED Module	Lumen Range	Distribution	CRI / CCT	Finish	Module Accessories
<p><b>PR6M</b> = 6" aperture LED module and self-flanged reflector</p>	<p><b>12</b> = field selectable 1000, 1500 and 2000 lumens (nominal). Factory pre-set for 2000 lumens. Use with PR612*, PR610*, PR615*, PR620* mounting frames only.</p> <p><b>24</b> = field selectable 2000, 3000 and 4000 lumens (nominal). Factory pre-set for 4000 lumens. Use with PR624*, PR620*, PR630*, PR640* mounting frames only.</p>	<p><b>MD</b> = Medium distribution lens - factory installed (60°, 1.2 SC) Included: Wide distribution lens – field interchangeable option (65°, 1.3 SC)</p>	<p><b>Field Selectable</b></p> <p><b>8FS</b> = 80 CRI (minimum) with field selectable 3000K, 3500K and 4000K CCT (nominal). Factory pre-set for 3500K.</p> <p><b>9FS</b> = 90 CRI (minimum) with field selectable 3000K, 3500K and 4000K CCT (nominal). Factory pre-set for 3500K.</p> <p><b>Discrete (fixed) Factory Set</b></p> <p><b>827</b> = 80 CRI (minimum) 2700K</p> <p><b>927</b> = 90 CRI (minimum) 2700K</p> <p><b>850</b> = 80 CRI (minimum) 5000K</p> <p><b>950</b> = 90 CRI (minimum) 5000K</p>	<p><b>MW</b> = matte white ring/ self-flanged reflector</p> <p><b>MMS</b> = matte metallic silver ring/self-flanged reflector</p> <p><b>BZ</b> = bronze ring/self-flanged reflector</p>	<p><b>PR6WW</b> = 6" wall wash optic, field installed</p> <p><b>OT400P</b> = Oversize matte white trim ring 5-7/8" ID opening, 9-1/2" OD flange. Use when retrofitting up to 7-5/8" ceiling cutout of an existing housing.</p>
<p><b>Notes</b></p>	<p><b>Notes</b></p>	<p><b>Notes</b></p>	<p><b>Notes</b></p>	<p><b>Notes</b></p>	<p><b>Notes</b></p>

## Product Specifications

### Retrofit Frame Arm

- Die-formed galvanized steel retrofit frame arm with integrated junction box
- One-piece construction attaches to LED module for installation in an existing commercial downlight from below the finished ceiling
- UL listed with Cooper Lighting Solutions commercial frames, and classified with others frames (Installer is responsible to determine retrofit compatibility and proper conditions of use including but not limited to local and national electrical codes)

### Mounting

- Retrofit frame arm attaches to the LED module with knurled thumb screws

### LED Module

- Integrated self-flanged shallow reflector with multiple finish options
- Patented SeleCCTable™ color temperature technology and selectable lumen output for selection in the field
- Integrated dip switches for selectable color and lumen selection in the field
- Selectable CCT 3000K/3500K/4000K
- Selectable low and high lumen ranges:
  - Low Lumen: 1000lm, 1500lm, 2000m (nominal)
  - High Lumen: 2000lm, 3000lm, 4000lm (nominal)
- Discrete (fixed) lumen models in 1000lm, 1500lm, 3000lm (nominal); use to meet lighting power density codes
- Available in 80 CRI or 90 CRI (nominal) with color accuracy within 3 SDCM
- LED array uses a plurality of mid-power surface mount LEDs delivering high flux and excellent efficiency
- Passive cooling achieves L70 at 50,000 hours
- Integral connector for quick link to the housing flex

### LED Module – Optics

- Medium / wide beam lens included
- Lens ships in medium beam. Twist-to-lock feature allows conversion to wide beam in the field without tools.
- Micro-prismatic lens is precision formed optical polymer
- **Louvered Wall Wash**
  - Optional field installed wall wash kit offers 360° rotation, allowing the housing to be installed in any orientation.

### LED Module - Reflector

- Integrated self-flanged shallow reflector with LED array and lens
- Finish paint options: matte white, matte metallic silver, and dark bronze

### LED Module - Retention

- Module is retained with two butterfly springs that hold the flange tightly to the finished ceiling surface
- Butterfly springs included with retrofit frame arm kit, for field installation on LED module in place of torsion springs

### Driver

- Driver is preinstalled and prewired to the junction box on the retrofit frame arm
- Field replaceable constant current driver provides low noise operation
- UNV 120-277VAC 50/60Hz input standard
- Continuous 1% - 100% dimming with 0-10V analog controls
- Optional "DLV" low voltage DC driver for use with DLVP distributed low voltage power system (see DLVP Design Guide / Brochure)

### Emergency Option

- Available with 7W or 14W emergency battery pack with remote test switch / charge indicator light
- Provides 90 minutes of standby lighting meeting most life safety codes for egress

### Connected Lighting System

Two WaveLinx connected solutions to choose from. Refer to WaveLinx system specifications and application guides for details.

#### WaveLinx PRO Tilemount Sensor Kit

- WaveLinx PRO WTA tilemount sensor kit offers daylight dimming, PIR motion sensing, scene and zone configuration, automatic commissioning; and optional RLTS - Real Time Location Services available.

#### WaveLinx PRO Wireless Node

- WaveLinx PRO WPN wireless node provides luminaire-level control with scene and zone configuration without an integrated sensor; Connects wirelessly with daylight dimming sensor and PIR motion sensor if desired. Use with 0-10V driver only.
  - **Note:** Not compatible with 347V or Chicago plenum.
  - **Note:** Only available with fixed lumen housings, and not available with field selectable lumen housings.

#### WaveLinx LITE Tilemount Sensor Kit

- WaveLinx LITE WTK tilemount sensor kit offers daylight dimming and PIR motion sensing, scene and grouping configuration.

#### WaveLinx LITE Wireless Node

- WaveLinx LITE WLN wireless node provides luminaire level control with scene and zone configuration without an integrated sensor; Connects wirelessly with daylight dimming sensor and PIR motion sensor if desired. Use with 0-10V driver only.
  - **Note:** Not compatible with 347V or Chicago plenum.
  - **Note:** Only available with fixed lumen housings, and not available with field selectable lumen housings.

### WaveLinx Tilemount Sensor Kits Application

- The WTA and WTK tilemount sensor kits include a control module mounted on the luminaire junction box via 1/2" knock-out, and a tilemount sensor on 54-inch whip; for ceiling installation by direct-mount spring clips or via mounting bracket in octagon ceiling boxes.
- The WTA and WTK tilemount sensor kits may be ordered as factory installed on the luminaire, or ordered separately as a field installed accessory kit.
- **Note: WaveLinx PRO devices are only compatible with the WaveLinx PRO system.**
- **Note: WaveLinx LITE devices are only compatible with the WaveLinx LITE system.**

### Junction Box

- Galvanized steel junction box
- 20in<sup>3</sup> internal volume excluding voltage barrier
- 25 in<sup>3</sup> internal total volume
- Voltage divider for 0-10V dimming wires [occupies (1) 1/2" pry-out space]
- Listed for (8) #12 AWG (four in, four out) 90° C conductors and feed-thru branch wiring
- (3) 1/2" and (2) 3/4" trade size pry-outs available
- (3) 4-port push wire nuts for mains voltage, with 1-port for fixture connection

### New Construction Mounting Frame Accessory

- Install retrofit kit in new construction with accessory HL6RSMF mounting frame (ordered separately)
- HL6RSMF 6" aperture mounting frame is galvanized steel with GOT NAIL! Gen-3 bar hangers that adjust 8" to 24", and Pass Thru feature for shortening bars without removal. Integral nail and grid clip design for wood framing or T-grid ceilings.
- When used with HL6RSMF in new construction, the retrofit kit installs from below the finished ceiling; for ease of LED luminaire installation after rough-in of the ceiling.

### Compliance

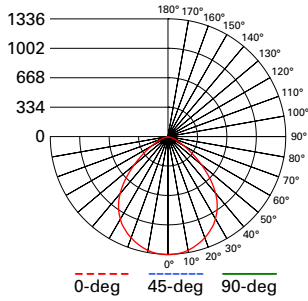
- cULus Certified to UL 1598 / C22.2 No. 250.0, suitable for damp locations and wet locations in covered ceilings only
- IP20 - Above finished ceiling; IP64 - Below finished ceiling
- Field selectable 1000/1500/2000 lm and 2000/3000/4000 lm models are Non-IC rated, insulation must be kept 3" from top and sides
- Fixed output (non-selectable) 1000 and 1500 lm models are Type IC thermally protected and suitable for direct contact to air permeable insulation (also suitable for Non-IC)
- Not for use in direct contact with spray foam insulation, consult NEMA LSD57-2013
- Airtight per ASTM-E283-04
- Suitable for use in clothes closets when installed in accordance of the NEC 410.16 spacing requirements
- EMI/RFI emissions FCC CFR Title 47 Part 15 Class A at 120/277V
- Contains no mercury or lead and RoHS compliant
- Photometric testing in accordance of IES LM-79-08
- Lumen maintenance projections per IES LM-80-08 and TM-21-11
- Field selectable 1000/1500/2000lm and 2000/3000/4000lm models may be used for California Title 24 non-residential compliance, as a dimmable LED luminaire
- Fixed output 1000lm and 1500lm 90 CRI, Type IC models may also be used for California Title 24 Residential compliance
- ENERGY STAR® certified, see Certified Light Fixtures database

### Warranty

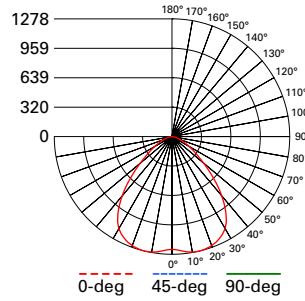
- Five year limited warranty, consult website for details. [www.cooperlighting.com/legal](http://www.cooperlighting.com/legal)

## Photometric Data

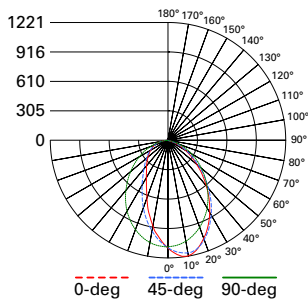
 [View IES files](#)



**PR6RFS12D010 - PR6M12MD8FSMW**  
 Low lumen module, 2000 lumen, medium lens  
 Spacing criterion: (II) 1.2 x  
 Lumens: 2703  
 Input Watts: 20.4 W  
 Efficacy: 132.5 LPW  
 UGR: 21  
 Test Report: PR6FS12D010 PR6M12MD8FSMW 2000Lm3500K.ies



**PR6RFS12D010 - PR6M12WD8FSMW**  
 Low lumen module, 2000 lumen, wide lens  
 Spacing criterion: (II) 1.33 x  
 Lumens: 2674  
 Input Watts: 20.4 W  
 Efficacy: 131.1 LPW  
 UGR: 21  
 Test Report: PR6FS12D010 PR6M12WD8FSMW 2000Lm3500K.ies



**PR6RFS12D010 - PR6M12WW8FSMW - PR6WW**  
 Low lumen module - wall wash, 2000 lumen, wall wash accessory  
 Spacing criterion: (II) 1.13 x  
 Lumens: 2079  
 Input Watts: 20.4 W  
 Efficacy: 101.9 LPW  
 UGR: 19  
 Test Report: PR6FS12D010 PR6M12WW8FSMW 2000Lm3500K.ies

### SINGLE UNIT FOOTCANDLES

**2.5' from wall** (distance from fixture along wall)

1	17.2	12.6	6.1	2.6	1.1	0.5	0.2
2	30.4	24.2	13.7	6.8	3.4	1.7	0.9
3	27.5	23.4	15.3	8.7	4.8	2.7	1.5
4	20	17.9	13.2	8.5	5.2	3.1	1.9
5	13.8	12.8	10.2	7.2	4.8	3.2	2.1
6	9.6	9	7.6	5.8	4.2	2.9	2
7	6.7	6.4	5.6	4.6	3.5	2.6	1.9
8	4.9	4.7	4.2	3.6	2.9	2.2	1.7
9	3.6	3.5	3.2	2.8	2.3	1.9	1.5
10	2.7	2.7	2.5	2.2	1.9	1.6	1.3

### MULTIPLE UNIT FOOTCANDLES

	2.5' from wall (distance from fixture along wall)			2.5' from wall (distance from fixture along wall)		
	● — 3 — ●			● — 4 — ●		
1	19.8	18.2	19.8	18.3	12.2	18.3
2	37.2	37.9	37.2	33.7	27.4	33.7
3	36.2	38.9	36.2	32.3	30.6	32.3
4	28.5	31.4	28.5	25.2	26.3	25.2
5	21.1	23.2	21.1	18.7	20.3	18.7
6	15.4	16.7	15.4	13.8	15.2	13.8
7	11.3	12.2	11.3	10.2	11.3	10.2
8	8.4	9	8.4	7.7	8.4	7.7
9	6.4	6.7	6.4	5.9	6.4	5.9
10	4.9	5.1	4.9	4.6	4.9	4.6

### Photometric Multipliers - Selectable lumen 1000lm - 1500lm - 2000lm

1000 Lumen	1500 Lumen	2000 Lumen
0.51	0.65	1.00

Multipliers for nominal values with other series models

### Color Finish Multipliers

Finish code	MW	MMS	BZ
Finish	Matte White	Matte Metallic Silver	Bronze
Multiplier	1.00	0.93	0.88

Multipliers for nominal values with other series models

### CCT Multipliers - 80CRI - Selectable CCT 3000K - 3500K - 4000K

3000K	3500K	4000K
0.88	1.00	0.96

Multipliers for nominal values with other series models

### CCT Multipliers - 90CRI - Selectable CCT 3000K - 3500K - 4000K

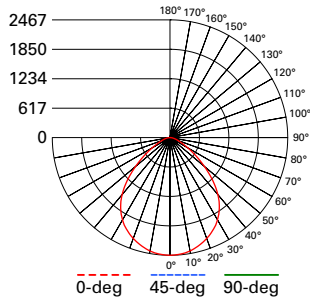
3000K	3500K	4000K
0.76	0.76	0.74

Multipliers for nominal values with other series models

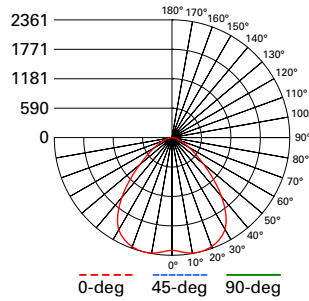
Note: Refer to IES files for more product data.

## Photometric Data

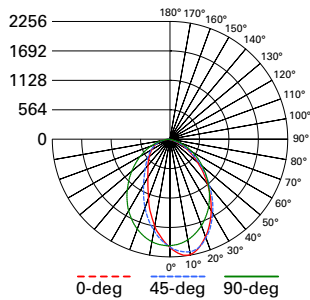
[View IES files](#)



**PR6RFS24D010 - PR6M24MD8FSMW**  
 High lumen module, 4000 lumen, medium lens  
 Spacing criterion: (II) 1.2 x  
 Lumens: 4993  
 Input Watts: 39 W  
 Efficacy: 128 LPW  
 UGR: 23  
 Test Report: PR6FS24D010 PR6M24MD8FSMW 4000Lm3500K.ies



**PR6RFS24D010 - PR6M24WD8FSMW**  
 High lumen module, 4000 lumen, wide lens  
 Spacing criterion: (II) 1.33 x  
 Lumens: 4940  
 Input Watts: 39 W  
 Efficacy: 126.7 LPW  
 UGR: 23  
 Test Report: PR6FS24D010 PR6M24WD8FSMW 4000Lm3500K.ies



**PR6RFS24D010 - PR6M24WW8FSMW - PR6WW**  
 High lumen module - wall wash, 2000 lumen, wall wash accessory  
 Spacing criterion: (II) 1.13 x  
 Lumens: 3841  
 Input Watts: 39 W  
 Efficacy: 98.5 LPW  
 UGR: 21  
 Test Report: PR6FS24D010 PR6M24WW8FSMW 4000Lm3500K.ies

SINGLE UNIT FOOTCANDLES							
2.5' from wall (distance from fixture along wall)							
1	31.7	23.3	11.3	4.8	2	0.9	0.4
2	56.1	44.8	25.3	12.6	6.2	3.1	1.6
3	50.7	43.2	28.3	16.1	8.9	4.9	2.8
4	37	33.1	24.3	15.7	9.6	5.8	3.5
5	25.6	23.6	18.8	13.4	9	5.9	3.8
6	17.7	16.6	14	10.8	7.8	5.4	3.8
7	12.4	11.9	10.4	8.4	6.5	4.8	3.5
8	9	8.7	7.8	6.6	5.3	4.1	3.1
9	6.7	6.4	5.9	5.1	4.3	3.5	2.7
10	5	4.9	4.6	4	3.5	2.9	2.4

MULTIPLE UNIT FOOTCANDLES								
	2.5' from wall (distance from fixture along wall)			2.5' from wall (distance from fixture along wall)				
	3			4				
1	36.5	33.6	36.5	33.7	22.5	33.7		
2	68.8	70	68.8	62.3	50.7	62.3		
3	66.9	71.8	66.9	59.6	56.6	59.6		
4	52.7	58	52.7	46.6	48.6	46.6		
5	39	42.8	39	34.5	37.6	34.5		
6	28.4	30.9	28.4	25.5	28	25.5		
7	20.8	22.5	20.8	18.9	20.8	18.9		
8	15.6	16.6	15.6	14.3	15.6	14.3		
9	11.8	12.4	11.8	10.9	11.8	10.9		
10	9.1	9.5	9.1	8.5	9.1	8.5		

### Photometric Multipliers - Selectable lumen 2000lm-3000lm-4000lm

2000 Lumen	3000 Lumen	4000 Lumen
0.54	0.69	1.00

Multipliers for nominal values with other series models

### Color Finish Multipliers

Finish code	MW	MMS	BZ
Finish	Matte White	Matte Metallic Silver	Bronze
Multiplier	1.00	0.93	0.88

Multipliers for nominal values with other series models

### CCT Multipliers - 80CRI - Selectable CCT 3000K - 3500K - 4000K

3000K	3500K	4000K
0.89	1.00	0.95

Multipliers for nominal values with other series models

### CCT Multipliers - 90CRI - Selectable CCT 3000K - 3500K - 4000K

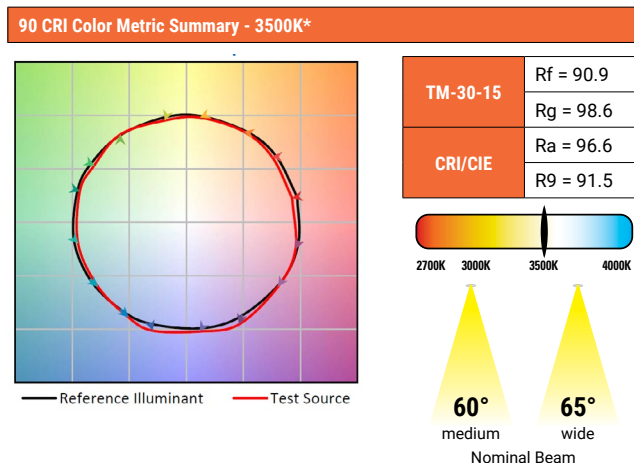
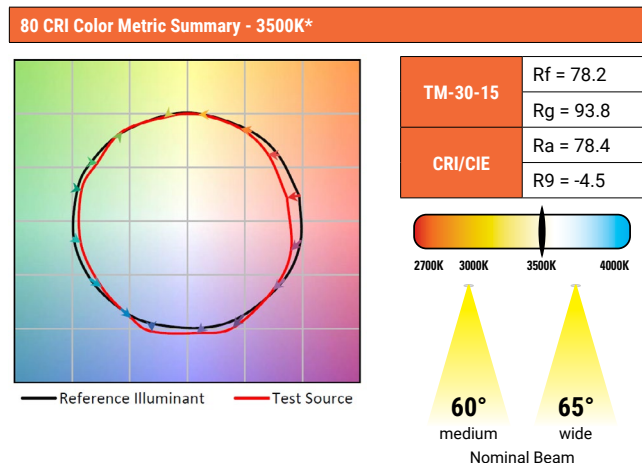
3000K	3500K	4000K
0.77	0.83	0.75

Multipliers for nominal values with other series models

Note: Refer to IES files for more product data.

## Energy and Performance Data

### COLOR METRICS - TM-30-15 & CRI/CIE (3500K)



### PR6FS12 LED MODULE LOW LUMEN RANGE

Series	1000 lumen		Series	1500 lumen		Series	2000 lumen	
Input Voltage 120-277VAC	120V	277V	Input Voltage 120-277VAC	120V	277V	Input Voltage 120-277VAC	120V	277V
Input Current (A)	0.089	0.043	Input Current (A)	0.112	0.052	Input Current (A)	0.178	0.079
Input Power (W)	10.5	11	Input Power (W)	13.4	13.8	Input Power (W)	21.3	21.4
In-rush (A)	8.9	22.2	In-rush (A)	9.9	24.8	In-rush (A)	8	19.1
In-rush Duration (ms)	0.145	0.118	In-rush Duration (ms)	0.198	0.107	In-rush Duration (ms)	0.185	0.133
THD (%)	<15.1	<16.7	THD (%)	<13.3	<15.5	THD (%)	<8.2	<10.6
PF	≥ 0.98	≥ 0.92	PF	≥ 0.98	≥ 0.94	PF	≥ 0.99	≥ 0.97
Minimum starting temperature -20°C (-4°F)*			Minimum starting temperature -20°C (-4°F)*			Minimum starting temperature -20°C (-4°F)*		
Sound Rating: Class A standards			Sound Rating: Class A standards			Sound Rating: Class A standards		

### PR6FS24 LED MODULE HIGH LUMEN RANGE

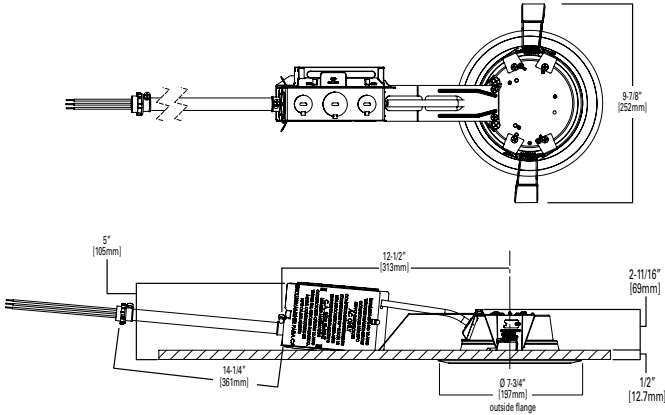
Series	2000 lumen		Series	3000 lumen		Series	4000 lumen	
Input Voltage 120-277VAC	120V	277V	Input Voltage 120-277VAC	120V	277V	Input Voltage 120-277VAC	120V	277V
Input Current (A)	0.176	0.081	Input Current (A)	0.225	0.101	Input Current (A)	0.332	0.145
Input Power (W)	21	21.2	Input Power (W)	26.9	27	Input Power (W)	39.8	39.4
In-rush (A)	15.3	32.1	In-rush (A)	11.6	27.9	In-rush (A)	12.8	27.5
In-rush Duration (ms)	0.237	0.12	In-rush Duration (ms)	0.187	0.081	In-rush Duration (ms)	0.211	0.107
THD (%)	<11	<13.6	THD (%)	<9.05	<11.8	THD (%)	<5.9	<8.8
PF	≥ 0.99	≥ 0.94	PF	≥ 0.99	≥ 0.96	PF	≥ 0.99	≥ 0.98
Minimum starting temperature -20°C (-4°F)*			Minimum starting temperature -20°C (-4°F)*			Minimum starting temperature -20°C (-4°F)*		
Sound Rating: Class A standards			Sound Rating: Class A standards			Sound Rating: Class A standards		

**Notes:**

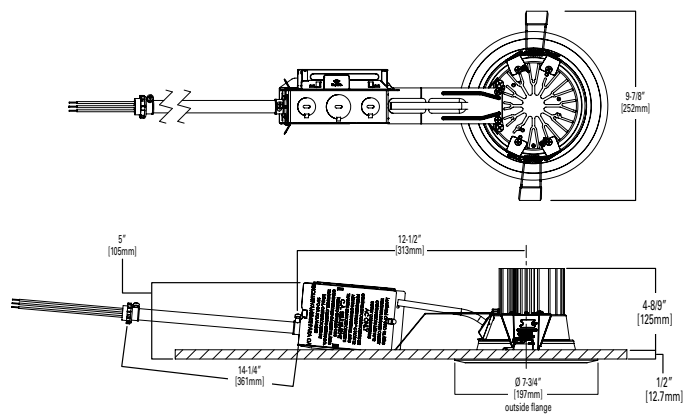
\* Emergency Battery packs are rated for a minimum starting temperature of 0°C.

## Dimensional Details

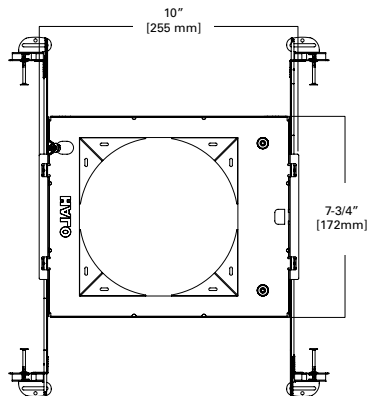
LOW LUMEN



HIGH LUMEN



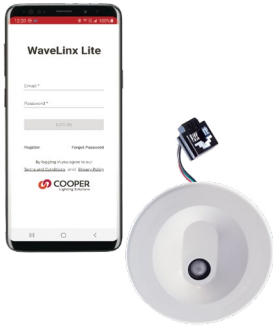
HL6RSMF



## Connected Solutions

### WaveLinx LITE - WTK Tilemount Sensor

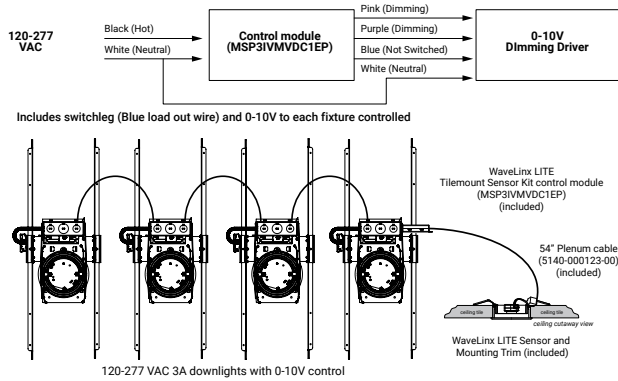
WaveLinx LITE devices only compatible with the WaveLinx LITE system.



- Intuitive Android™ or Apple® iOS® app for basic system code compliant set up and configuration via Bluetooth
- Up to 28 unique areas per project site (WaveLinx LITE Bluetooth network)
- Up to 50 devices for an area, any one of 16 control zones, up to 6 occupancy sets, and custom lighting scenes
- Automatic occupancy or vacancy, sensor sensitivity, daylight dimming, etc. configurable through the app
- Refer to the WaveLinx system specifications for details



#### WaveLinx LITE WTK Tilemount Wiring Diagram

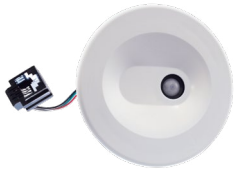


#### WaveLinx LITE Bluetooth Enabled System



### WaveLinx PRO – WTA Tilemount Sensor

WaveLinx PRO devices only compatible with the WaveLinx PRO system.



- WaveLinx PRO tilemount functionality configures zones and customizes settings from one secure mobile app
- Automatic code commissioning that meets the strictest codes
- Fixtures and sensors integrate with Wireless Area Controller, Wall Stations, and Control Devices
- Stand-Along Offices or Entire Building Network Installations

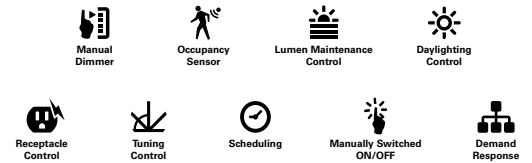
**Downlights with tilemount sensor**  
Highly efficient LED fixtures

**WaveLinx Area Controller**  
Provides centralized coordination of multiple area control options

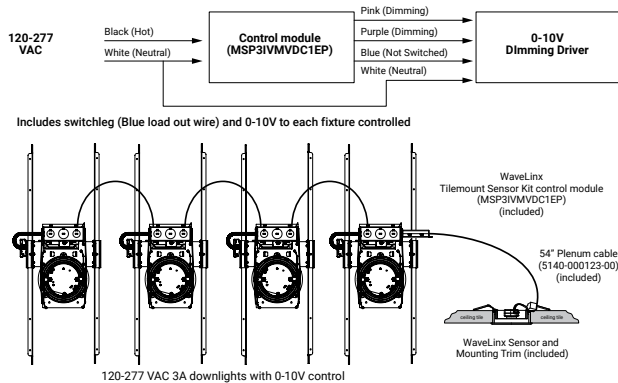
**Wireless Wall Station/Receptacle**  
Provides customized wireless control of each area

**Mobile Applications**  
Provides personalized, local control from a tablet or smartphone

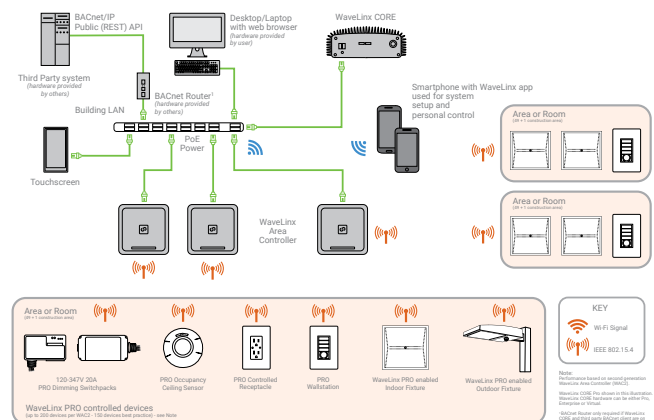
#### WaveLinx mobile app settings



#### WaveLinx WTA Tilemount Wiring Diagram



#### WaveLinx CORE Building Management Integration





## Connected Solutions



### WaveLinX LITE Wireless Node - WLN

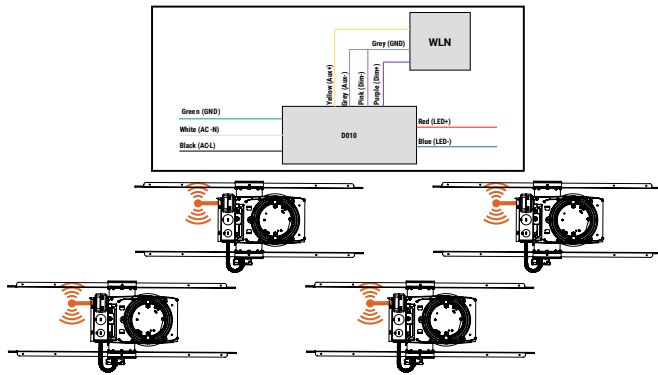
WaveLinX LITE devices only compatible with the WaveLinX LITE system.

- Intuitive Android™ or Apple® iOS® app for basic system code compliant set up and configuration via Bluetooth
- Up to 28 unique areas per project site (WaveLinX LITE Bluetooth network)
- Up to 50 devices for an area, any one of 16 control zones, up to 6 occupancy sets, and custom lighting scenes
- Refer to the WaveLinX system specifications for details

#### WaveLinX mobile app settings



#### WaveLinX LITE Wireless Node (WLN) Wiring Diagram



#### WaveLinX LITE Bluetooth Enabled System



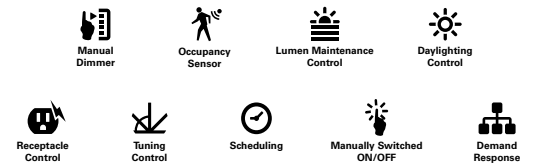
### WaveLinX PRO Wireless Node - WPN

WaveLinX PRO devices only compatible with the WaveLinX PRO system.



- WaveLinX Wireless functionality configures zones and customizes settings from one secure mobile app
- Automatic code commissioning that meets the strictest codes
- Fixtures and sensors integrate with WaveLinX Area Controller, Wall Stations, and Control Devices
- Stand-Alone Offices or Entire Building Network Installations

#### WaveLinX mobile app settings



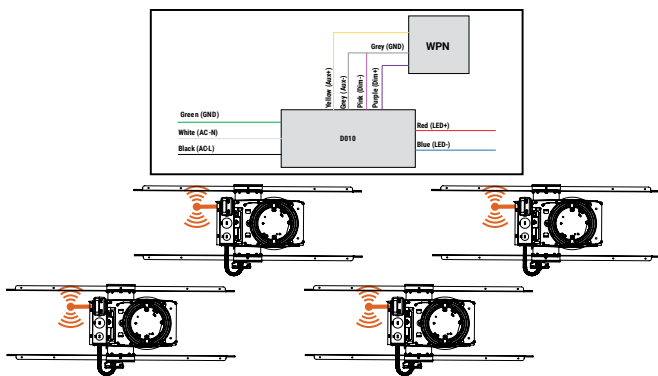
**Downlights with wireless communication**  
Highly efficient LED fixtures

**WaveLinX Area Controller**  
Provides centralized coordination of multiple area control options

**Wireless Wall Station/Receptacle**  
Provides customized wireless control of each area

**Mobile Applications**  
Provides personalized, local control from a tablet or smartphone

#### WaveLinX PRO Wireless Node (WPN) Wiring Diagram



#### WaveLinX CORE Building Management Integration

