

Installation Instructions -Cirque and Omni Suspended

! WARNING

Risk of Fire, Electrical Shock, Cuts or other Casualty Hazards- Installation and maintenance of this product must be performed by a qualified electrician. This product must be installed in accordance with the applicable installation code by a person familiar with the construction and operation of the product and hazards involved.



Risk of Fire and Electric Shock- Make certain power is OFF before starting installation or attempting any maintenance. Disconnect power at fuse or circuit breaker.



Risk of Fire- Minimum 90°C supply conductors.



Risk of Burn- Disconnect power and allow fixture to cool before handling or servicing.

Risk of Personal Injury- Due to sharp edges, handle with care.

Risk of Personal Injury- Fixture not intended to be installed in a gymnasium or other space where impacts from objects can occur.

Failure to comply with these instructions may result in death, serious bodily injury and property damage.

DISCLAIMER OF LIABILITY: Cooper Lighting Solutions assumes no liability for damages or losses of any kind that may arise from the improper, careless, or negligent installation, handling or use of this product.

IMPORTANT: Read carefully before installing fixture. Retain for future reference.






NOTICE: Green ground screw provided in proper location. Do not relocate.








NOTICE: Fixture may become damaged and/or unstable if not installed properly.

Note: Specifications and dimensions subject to change without notice.

ATTENTION Receiving Department: Note actual fixture description of any shortage or noticeable damage on delivery receipt. File claim for common carrier (LTL) directly with carrier. Claims for concealed damage must be filed within 15 days of delivery. All damaged material, complete with original packing must be retained.

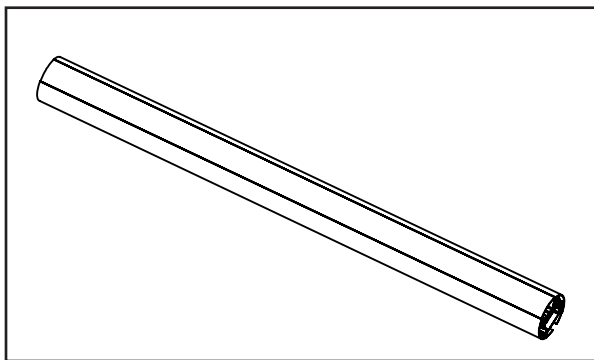
Wiring Table

Power Supply (Input)	
	Black (BK) - Hot
	White (WT) - Neutral
	Green (GN) - Ground
	Violet (VT) - Dimming (+)
	Pink (PK) - Dimming (-)

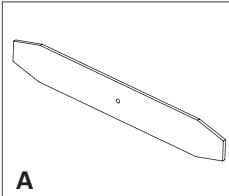
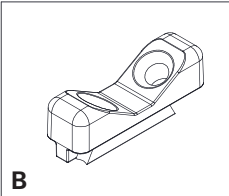
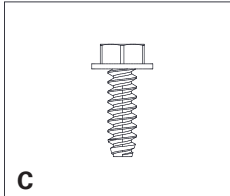
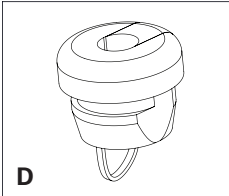
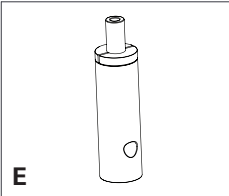
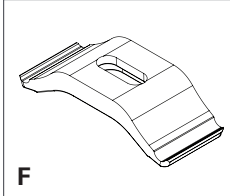
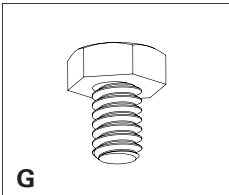
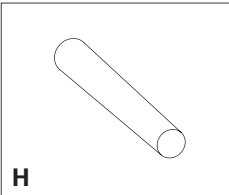
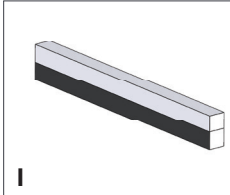
Power Supply (Input) - When Applicable	
	Black/Red (BK/RD) - Emergency Hot
	White/Red (WT/RD) - Emergency Neutral
	Black/Orange (BK/OR) - 2nd Circuit Hot
	White/Orange (WT/OR) - 2nd Circuit Neutral
	Orange (OR) - 2nd Circuit Dimming (+)
	Yellow (YL) - 2nd Circuit Dimming (-)
	Blue (BL) - Battery/Emergency Unswitched Hot

Recommended Equipment:

- Hammer
- 1/4" nut driver
- Flathead screwdriver
- Gloves



Lenses and baffles are pre-installed in the light fixture.

		
A	B	C
Biscuit Aligner	Cast joiner	#8-18 x 1/2 HWH
		
D	E	F
Strain Relief	Cable Adjuster	Cable Mount
		
G	H	I
#1/4-20 x 3/8	Taper Pin	Baffle Gasket (optional)

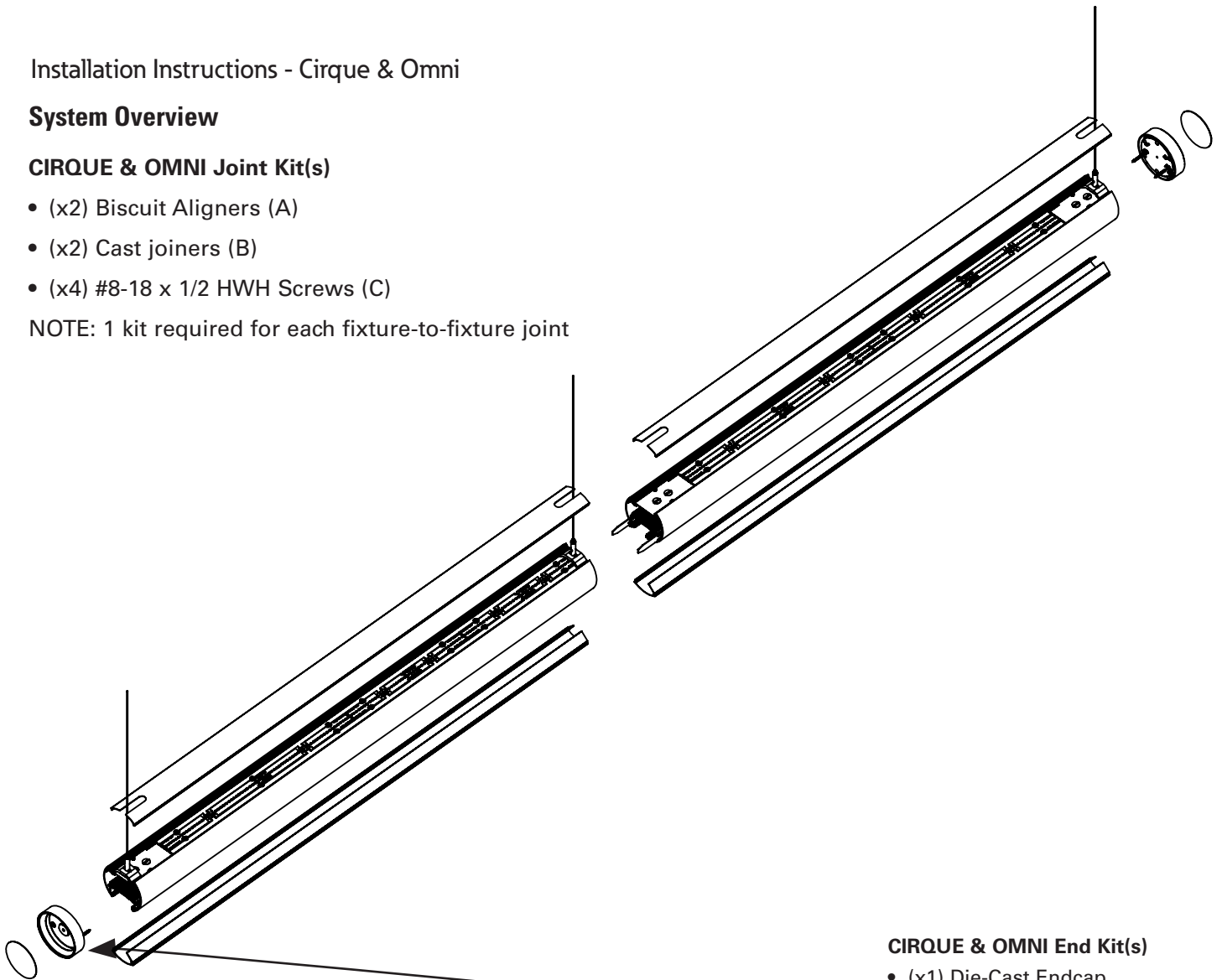
Installation Instructions - Cirque & Omni

System Overview

CIRQUE & OMNI Joint Kit(s)

- (x2) Biscuit Aligners (A)
- (x2) Cast joiners (B)
- (x4) #8-18 x 1/2 HWH Screws (C)

NOTE: 1 kit required for each fixture-to-fixture joint



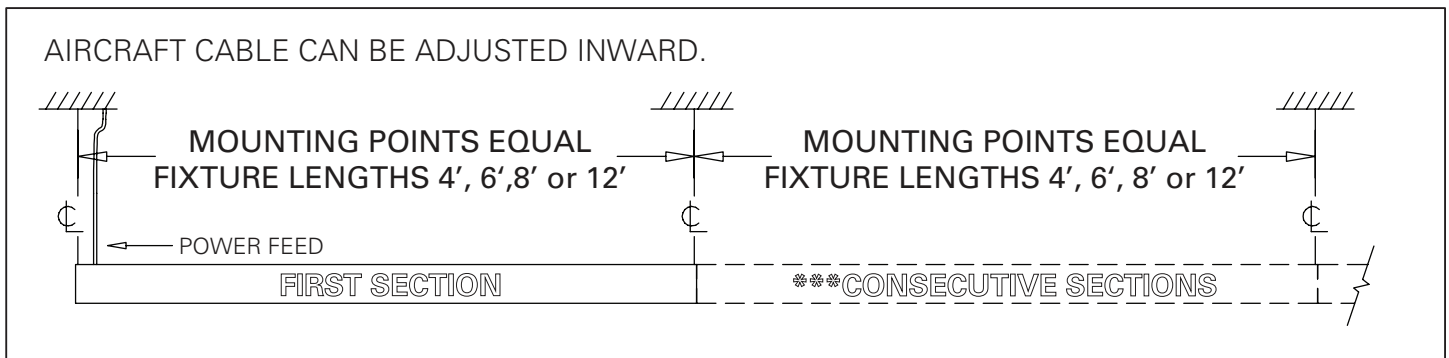
CIRQUE & OMNI End Kit(s)

- (x1) Die-Cast Endcap
- (x1) End Plate
- (x2) #8-18 x 1/2 HWH Screws (C)

NOTE: 2 kits required for each run (one for each end)

Mount Spacing

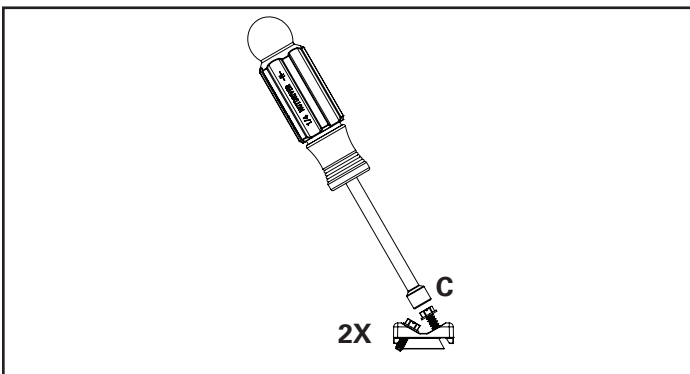
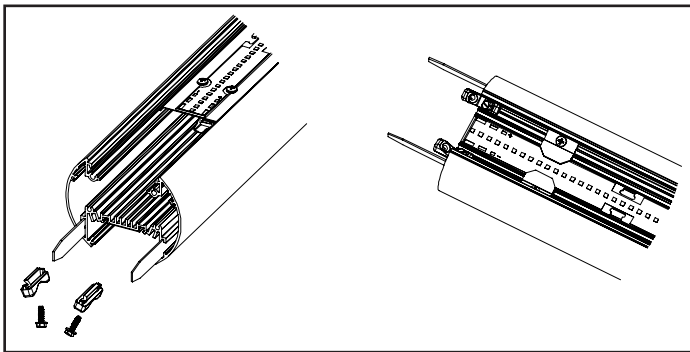
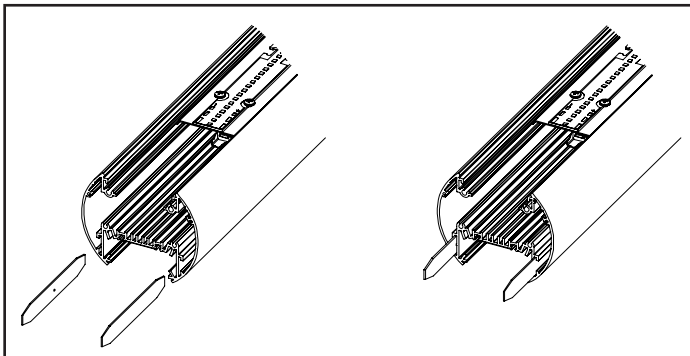
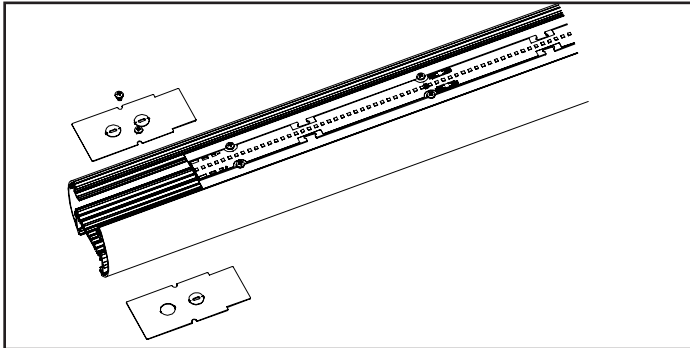
Maximum distance of flexible mount location from end of unit: 1' for 4' unit, 1' for 6' unit, 2' for 8' unit 4' for 12' unit. Maximum distance between mounting points shall not exceed 12 feet.



For installation at ceiling, see separate ceiling interface instructions.

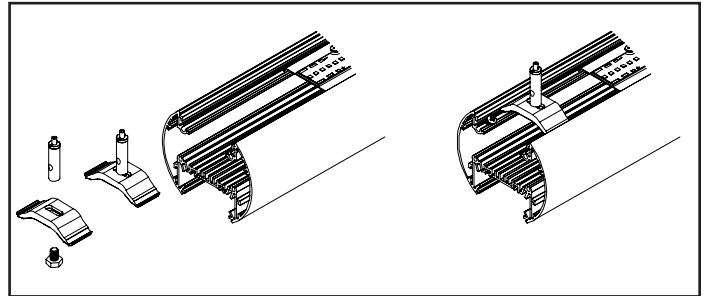
① Joining Hardware - Used to Join Fixtures Together - Not Used for Individual Fixtures

Remove electrical wiring access plates at both ends of the fixture. Push **Biscuit Aligners (A)** into housing as shown. Use a hammer to seat the biscuits and pins if required. Slide **cast joiners (B)** half way into the housing and fasten with the provided screws **(C)**.

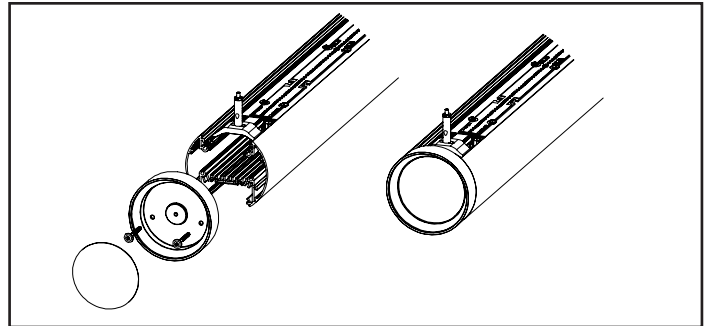


② Aircraft Cable Mounting

Assemble the aircraft cable suspension bracket as shown below. Slide the assembly into the housing and temporarily insert one of the electrical access plate screws into the housing (as shown below) to prevent the assembly from sliding.



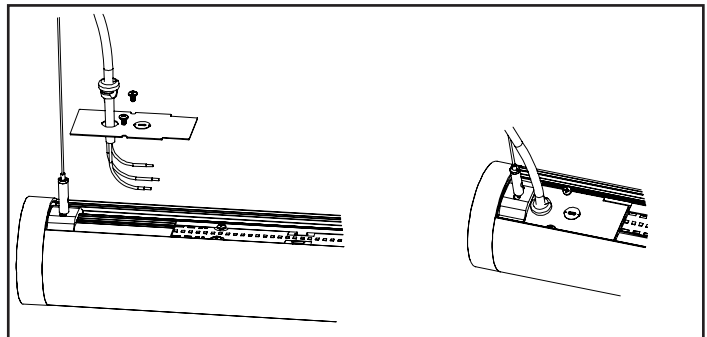
Secure end caps to the fixture using the provided **#8-18 x 1/2 HWH screws (C)**. The decorative end plates can then be mounted to the pre-installed magnets on the center of the end cap.



The fixture can now be suspended from the supplied aircraft cable.

③ Power Drop

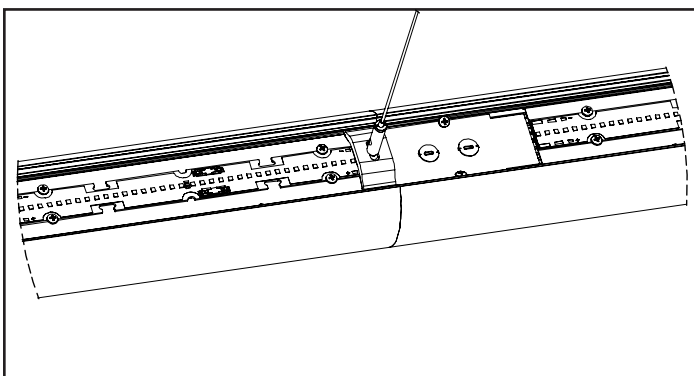
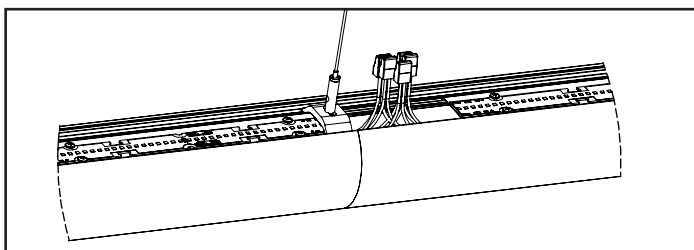
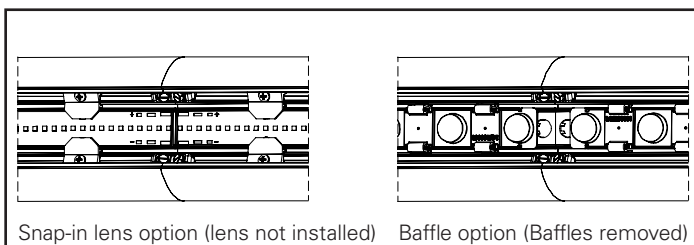
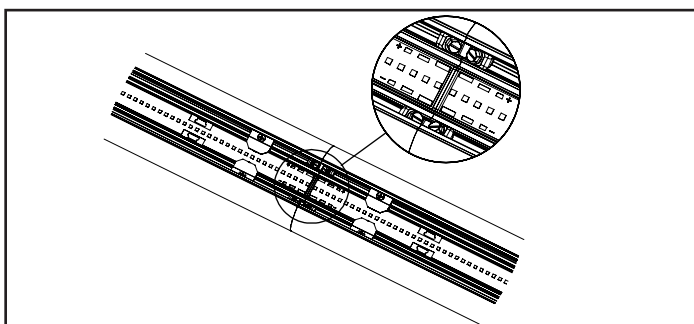
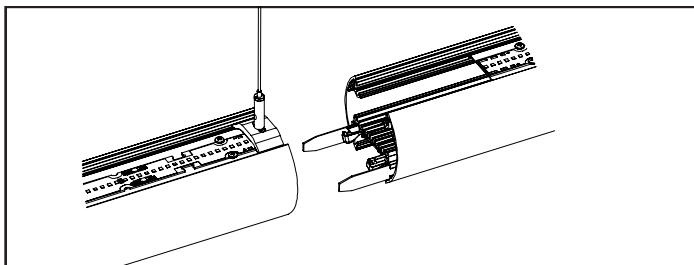
Wire fixture following the wiring chart shown on page 2. Once wiring is completed, re-attach the electrical access plate. Install **strain relief (D)** as shown.



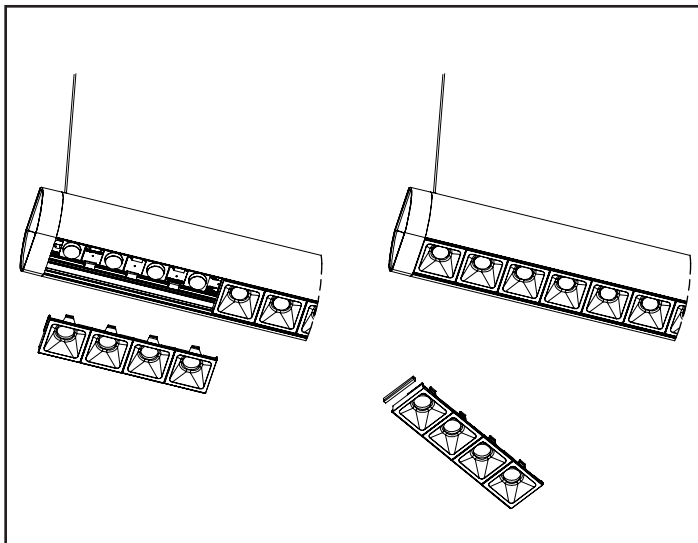
Installation Instructions - Cirque & Omni

④ Joining

Slide next fixture onto the hanging fixture until the **biscuit aligners (A)** engage. Ensure the biscuits remain approximately centered between the fixtures during joining. Once fixtures are together fasten **cast joiners (B)** using the provided **#8-18 x 1/2 HWH screws w(C)**. Make wiring connections and push wires into the housing. Then re-attach the electrical access plates.



⑤ Optional Baffle Gasket



If required, use provided gaskets to ensure there is no light leak between each baffle section. (The bottom color of the gasket should match the color of the baffle). The baffles snap in and out of the fixture.

⑥ Fixture Maintenance and Cleaning

Always follow recommended cleaning and handling procedures when cleaning the lens. It can be permanently damaged if cleaned or handled improperly.

Blowing off the Surface of the Lens

Dust and other loose contaminants should be blown off before any other cleaning technique is employed. Using compressed air over the entire lens is recommended to prevent static buildup.

Additional Cleaning Methods

Fingerprints and large dust particles can be removed by gently wiping the surface with a clean microfiber cloth. If additional cleaning is required it is recommended to use Clorox® wipes to remove remaining contaminants by gently rubbing the affected area and allowing to air dry.

Warranties and Limitation of Liability

Please refer to www.cooperlighting.com/global/warranty for our terms and conditions.

Garanties et limitation de responsabilité

Veillez consulter le site www.cooperlighting.com/global/warranty pour obtenir les conditions générales.

Garantías y Limitación de Responsabilidad

Visite www.cooperlighting.com/global/warranty para conocer nuestros términos y condiciones.

FCC Statement

• This device complies with Part 15 of the FCC Rules. Operation is subject to the following two conditions:

- (1) This device may not cause harmful interference.
- (2) This device must accept any interference received, including interference that may cause undesired operation.

Note: The grantee is not responsible for any changes or modifications not expressly approved by the party responsible for compliance. Such modifications could void the user's authority to operate the equipment.

Note: The equipment has been tested and found to comply with the limits for a **Class B** digital device, pursuant to part 15 of the FCC Rules.

These limits are designed to provide reasonable protection against harmful interference in a residential installation. This equipment generates uses and can radiate radio frequency energy and, if not installed and used in accordance with the instructions, may cause harmful interference to radio communications. However, there is no guarantee that interference will not occur in a particular installation. If this equipment does cause harmful interference to radio or television reception, which can be determined by turning the equipment off an on, the user is encouraged to try to correct the interference by one or more of the following measures:

- Reorient or relocate the receiving antenna.
- Increase the separation between the equipment and receiver.
- Connect the equipment into an outlet on a circuit different from that to which the receiver is connected.
- Consult the dealer or an experienced radio/TV technician for help.

This device complies with FCC radiation exposure limits set forth for an uncontrolled environment. This equipment must be installed and operated in accordance with provided instructions and the antenna(s) used for this transmitter must be installed to provide a separation distance of at least 20 cm from all persons.