

Project		Catalog #		Type	
Prepared by		Notes		Date	



# Invue

## ECM/EMM Epic Medium LED

Decorative Area Luminaire

### Product Features



### Product Certifications



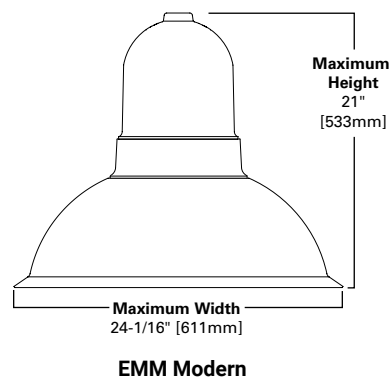
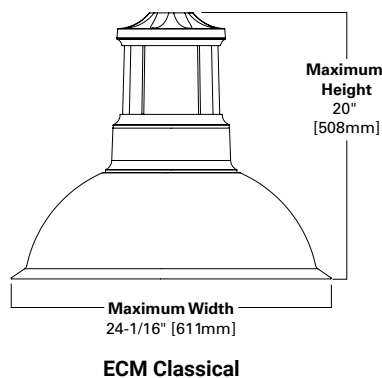
### Interactive Menu

- Order Information [page 2](#)
- Optical Distributions [page 3](#)
- Product Specifications [page 3](#)
- Mounting Accessories [page 4](#)
- Energy and Performance Data [page 8](#)
- Control Options [page 10](#)

### Quick Facts

- Two housing sizes and hundreds of unique combinations
- 22 different mounting choices including single and dual fixture mounts
- Heavy-gauge precision spun aluminum shades
- One-piece silicone gasket to prevent moisture and dust entry
- Offered standard in 4000K (+/- 275K) CCT and nominal 70 CRI
- Base casting slipfits over a standard 4" O.D. pole or 4"x6" O.D. tenon

### Dimensional Overview



Ordering Information

SAMPLE NUMBER: ECM-E04-LED-E1-T2-FL-GM

Product Family <sup>1</sup>	Number of LightBARs <sup>2,3</sup>	Lamp Type	Voltage	Distribution	Mid Section Type	Shade Type	Color <sup>5</sup>
<b>ECM</b> =Epic Classical Medium <b>EMM</b> =Epic Modern Medium <b>BAA-ECM</b> =Epic Classical Medium Buy American Act Compliant <sup>19</sup> <b>BAA-EMM</b> =Epic Modern Medium Buy American Act Compliant <sup>19</sup>	<b>E01</b> =(1) 21 LED LightBAR <b>E02</b> =(2) 21 LED LightBARs <b>E03</b> =(3) 21 LED LightBARs <b>E04</b> =(4) 21 LED LightBARs <b>F01</b> =(1) 7 LED LightBAR <b>F02</b> =(2) 7 LED LightBARs <b>F03</b> =(3) 7 LED LightBARs <b>F04</b> =(4) 7 LED LightBARs	LED=Solid State Light Emitting Diodes	<b>E1</b> =Electronic (120-277V) <b>347</b> =347V <b>480</b> =480V <sup>4</sup>	<b>T2</b> =Type II <b>T3</b> =Type III <b>T4</b> =Type IV <b>SL2</b> =Type II w/Spill Control <b>SL3</b> =Type III w/Spill Control <b>SL4</b> =Type IV w/Spill Control <b>5MQ</b> =Type V Square Medium <b>5WQ</b> =Type V Square Wide <b>5XQ</b> =Type V Square Extra Wide <b>RW</b> =Rectangular Wide <b>SLL</b> =90° Spill Light Eliminator Left <b>SLR</b> =90° Spill Light Eliminator Right	<b>SO</b> =Solid <b>SR</b> =Solid Rings	<b>SN</b> =Straight <b>Narrow</b> <b>SW</b> =Straight Wide <b>BL</b> =Bell <b>FL</b> =Flute	<b>AP</b> =Grey <b>BZ</b> =Bronze <b>BK</b> =Black <b>DP</b> =Dark <b>PL</b> =Platinum <b>GM</b> =Graphite <b>Met</b> =Metallic <b>WH</b> =White

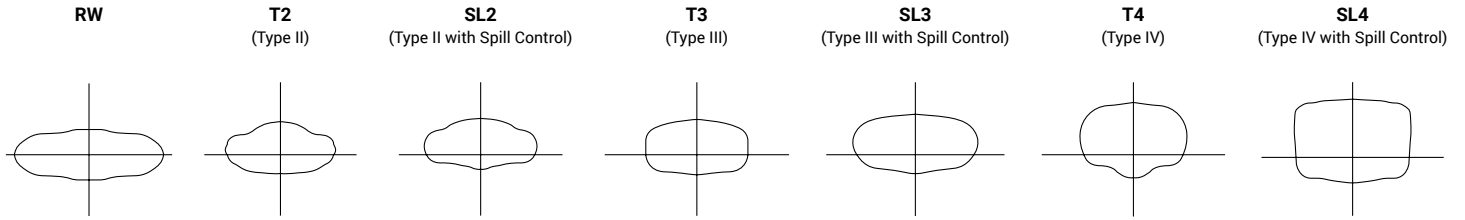
Options (Add as Suffix)	Accessories (Order Separately) <sup>20</sup>	Accessories Options <sup>16</sup>
-------------------------	--	-----------------------------------

<p> <b>2L</b>=Two Circuits <sup>6</sup>  <b>7030</b>=70 CRI / 3000K CCT <sup>7</sup>  <b>7050</b>=70 CRI / 5000K CCT <sup>7</sup>  <b>8030</b>=80 CRI / 3000K CCT <sup>7</sup>  <b>LCF</b>=LightBAR Cover Plate Matches Housing Finish  <b>MS-LXX</b>=Motion Sensor for ON/OFF Operation <sup>8</sup>  <b>MS/X-LXX</b>=Motion Sensor for Bi-Level Switching <sup>9</sup>  <b>PMXX</b>=Pendant Mount (XX=Pendant Length in Inches, 9.5" min - 48.0" max) <sup>10</sup>  <b>HSS</b>=Factory Installed House Side Shield <sup>11</sup>  <b>DIM</b>=0-10V Dimming Driver <sup>12</sup> </p>	<p> <b>OA/RA1016</b>=NEMA Twistlock Photocontrol - Multi-Tap  <b>OA/RA1027</b>=NEMA Twistlock Photocontrol - 480V  <b>OA/RA1201</b>=NEMA Twistlock Photocontrol - 347V  <b>OA/RA1013</b>=Photocontrol Shorting Cap  <b>LB/HSS-21</b>=Field Installed House Side Shield for "E" LightBARs <sup>11,15</sup>  <b>LB/HSS-07</b>=Field Installed House Side Shield for "F" LightBARs <sup>11,15</sup>  <b>Mounting Accessories (Order Separately)</b>  <b>Classical</b>  <b>VA6150-XX</b>=Bishop Wall Mount Arm  <b>VA6151-XX</b>=Bishop Wall Mount Arm with Cross Rod  <b>VA6152-XX</b>=Traditional Wall Mount Arm  <b>VA6153-XX</b>=Traditional Wall Mount Arm with 45° Strap  <b>VA6154-XX</b>=Bishop Single Pole Mount Arm  <b>VA6155-XX</b>=Bishop Single Pole Mount Arm with Cross Rod  <b>VA6156-XX</b>=Bishop Twin Pole Mount Arm  <b>VA6157-XX</b>=Bishop Twin Pole Mount Arm with Cross Rods  <b>VA6158-XX</b>=Traditional Single Pole Mount Arm  <b>VA6159-XX</b>=Traditional Single Pole Mount Arm with Rounded Upper Bar  <b>VA6160-XX</b>=Traditional Single Pole Mount Arm with Rounded Lower Bar <sup>14</sup>  <b>VA6161-XX</b>=Traditional Single Pole Mount Arm with 45° Upper Bar  <b>VA6162-XX</b>=Traditional Single Pole Mount Arm with 45° Lower Bar <sup>14</sup>  <b>VA6163-XX</b>=Traditional Single Pole Mount Arm with 45° Upper Strap  <b>VA6165-XX</b>=Traditional Twin Pole Mount Arm  <b>VA6166-XX</b>=Traditional Twin Pole Mount Arm with Rounded Upper Bars  <b>VA6167-XX</b>=Traditional Twin Pole Mount Arm with Rounded Lower Bars <sup>14</sup>  <b>VA6168-XX</b>=Traditional Twin Pole Mount Arm with 45° Upper Bars  <b>VA6169-XX</b>=Traditional Twin Pole Mount Arm with 45° Lower Bars <sup>14</sup>  <b>VA6170-XX</b>=Traditional Twin Pole Mount Arm with 45° Upper Straps  <b>VA6171-XX</b>=Mast Arm Adapter  <b>Modern</b>  <b>VA6101-XX</b>=Bishop Wall Mount Arm  <b>VA6102-XX</b>=Bishop Wall Mount Arm with Cross Rod  <b>VA6103-XX</b>=Traditional Wall Mount Arm  <b>VA6104-XX</b>=Traditional Wall Mount Arm with 45° Strap  <b>VA6105-XX</b>=Bishop Single Pole Mount Arm  <b>VA6106-XX</b>=Bishop Single Pole Mount Arm with Cross Rod  <b>VA6107-XX</b>=Bishop Twin Pole Mount Arm  <b>VA6108-XX</b>=Bishop Twin Pole Mount Arm with Cross Rods  <b>VA6109-XX</b>=Traditional Single Pole Mount Arm  <b>VA6110-XX</b>=Traditional Single Pole Mount Arm with Rounded Upper Bar  <b>VA6111-XX</b>=Traditional Single Pole Mount Arm with Rounded Lower Bar <sup>14</sup>  <b>VA6112-XX</b>=Traditional Single Pole Mount Arm with 45° Upper Bar  <b>VA6113-XX</b>=Traditional Single Pole Mount Arm with 45° Lower Bar <sup>14</sup>  <b>VA6114-XX</b>=Traditional Single Pole Mount Arm with 45° Upper Strap  <b>VA6116-XX</b>=Traditional Twin Pole Mount Arm  <b>VA6117-XX</b>=Traditional Twin Pole Mount Arm with Rounded Upper Bars  <b>VA6118-XX</b>=Traditional Twin Pole Mount Arm with Rounded Lower Bars <sup>14</sup>  <b>VA6119-XX</b>=Traditional Twin Pole Mount Arm with 45° Upper Bars  <b>VA6120-XX</b>=Traditional Twin Pole Mount Arm with 45° Lower Bars <sup>14</sup>  <b>VA6121-XX</b>=Traditional Twin Pole Mount Arm with 45° Upper Straps  <b>VA6122-XX</b>=Mast Arm Adapter                 </p>	<p> <b>V</b>=Victorian Fial <sup>17</sup>  <b>M</b>=Modern Fial <sup>17</sup>  <b>A</b>=Architectural Fial <sup>17</sup>  <b>N</b>=Nostalgic Fial <sup>17</sup>  <b>R</b>=NEMA Twistlock Photocontrol Receptacle <sup>18</sup> </p>
---	--	---

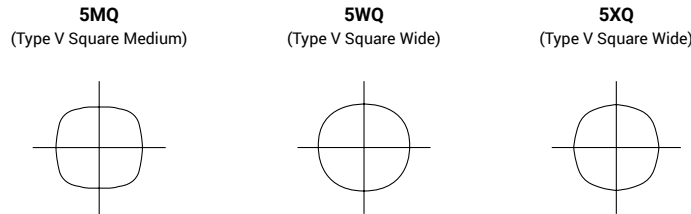
- NOTES:**
- Arm not included. Order separately. See accessories.
  - Standard 4000K CCT and greater than 70 RI.
  - 21 LED LightBAR powered by 350mA and 7 LED LightBAR powered by 1A.
  - Only for use with 480V Wye systems. Per NEC, not for use with ungrounded systems, impedance grounded systems or corner grounded systems (commonly known as Three Phase Three Wire Delta, Three Phase High Leg Delta and Three Phase Corner Grounded Delta systems).
  - Custom and RAL color matching available upon request. Consult your lighting representative at Cooper Lighting Solutions for more information.
  - Low-level output varies by bar count. Consult factory. Requires quantity of two or more LightBARs.
  - Consult customer service for lead times and multiplier.
  - Sensor mounted to the luminaire. Available in E01-E04 and F01-F04 configurations. Replace "XX" with mounting height in feet for proper lens selection, (e.g., MS-L25). Consult factory for additional information.
  - Sensor mounted to the luminaire. Available in E02-E04 and F02-F04 configurations. Replace "X" with number of LightBARs operating in low output mode and replace XX with mounting height in feet for proper lens selection, (e.g., MS/3-L25). Maximum four bars in low output mode. Consult factory for additional information.
  - Pendant mount option "PMXX" must be used with Invue Pendant mount kit only. Includes pendant pipe, swivel hangar and canopy cover. Other pendant lengths can be specified in inches (XX). Minimum pendant length is 9-1/2". For lengths above 48", consult your lighting representative at Cooper Lighting Solutions for more information.
  - Only for use with SL2, SL3 and SL4 distributions.
  - Dimming leads provide for external 0-10V control system (by others).
  - Replace XX with color suffix.
  - Only available with traditional arms.
  - One required for each LightBAR.
  - Add as suffix to mounting accessory. Example: VA6106-BK-R.
  - Not available with finials, pendant mount "PMXX" or bishop wall mounts.
  - Requires use of 4" O.D. round straight pole.
  - Only product configurations with this designated prefix are built to be compliant with the Buy American Act of 1933 (BAA). Please refer to [DOMESTIC PREFERENCES](#) website for more information. Components shipped separately may be separately analyzed under domestic preference requirements.
  - Accessories sold separately will be separately analyzed under domestic preference requirements. Consult factory for further information.

Optical Distribution

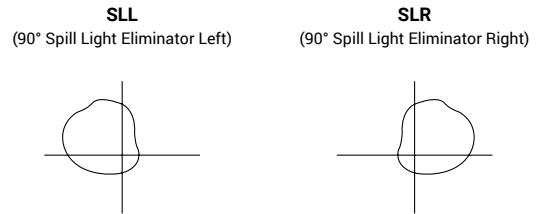
Asymmetric Area Distributions



Symmetric Distributions



Specialized Distributions



Product Specifications

Construction

- TOP : Cast aluminum top housing attaches to cast aluminum mounting arm hub with four stainless steel fasteners.
- One-piece silicone gasket between mounting hub and top casting seals out moisture and contaminants. (See the mounting accessories section for a full selection of mounting arms. (Only these arms are compatible with the Epic luminaire).)
- MIDSECTION: Continuous silicone gaskets seal lens to top casting and shade. The mid section features cast aluminum construction and stainless steel assembly.
- SHADES: Heavy gauge precision spun aluminum shades offer superior surface finish and consistency in form.
- DOORFRAME: Die-cast aluminum 1/8" thick door and doorframe seal to underside of shade with a thick wall continuous silicone gasket.
- Mounting hub ships attached to mounting arm.
- 21 available mounting options including bishop and traditional style pole, wall, and arm mounts. Mast arm adapter mount also available.

Optics

- Choice of twelve patented, high efficiency AccuLED Optic™ technology manufactured from injection-molded acrylic.
- Offered standard in 4000K (+/- 275K) CCT and nominal 70 CRI.
- 3000K and 5000K CCT options available
- House side shields can be field or factory installed for greater spill light control

Electrical

- Standard drivers feature electronic universal voltage (120-277V 50/60Hz), 347V 60Hz or 480V 60Hz operation, greater than 0.9 power factor, less than 20% harmonic distortion.
- All fixtures are shipped standard with 10kV/10kA common – and differential – mode surge protection.
- LightBARs feature and IP66 enclosure rating and maintain greater than 95% lumen maintenance at 60,000 hours per IESNA TM-21. Occupancy sensor and dimming options available.

Finish

- Housing is finished in five-stage super durable TGIC polyester powder coat paint, 2.5 mil nominal thickness for superior protection.
- LightBAR™ cover plates are standard white and may be specified to match housing finish.
- Standard colors include black, bronze, grey, white, dark platinum and graphite metallic.
- RAL and custom color matches available. Additional charges and lead time apply.

Compliance

- cULus rated for use in -40°C to 40°C ambient environments
- LightBars are IP66 rated
- 2G vibration rated
- Refer to [DOMESTIC PREFERENCES](#) website for information regarding Buy American Act requirements

Warranty

- Five year limited warranty, consult website for details. [www.cooperlighting.com/legal](http://www.cooperlighting.com/legal)

Configurations

Housing



Classical

8-5/8" H x 8-3/4" W



Modern

9-3/8" H x 8-7/8" W

Mid Section



Solid

3-7/16" H x 9-15/16" W



Solid Rings

3-7/16" H x 12" W

Shade



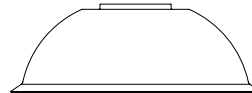
Straight Narrow

6-5/8" H x 19-1/8" W



Straight Wide

5-1/8" H x 23-15/16" W



Bell

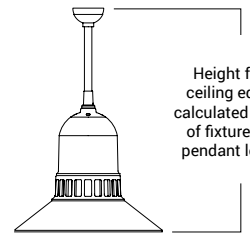
8" H x 24" W



Flute

6" H x 22-1/2" W

Mounting Option



Height from ceiling equals calculated height of fixture plus pendant length

Mounting Accessories

Pole mount arms are designed to fit both medium ECM/EMM housings. (Only these arms are compatible with the Epic luminaire). Arms feature a precision welded cast aluminum mounting hub for attachment of fixture head to arm with four stainless steel fasteners. Wall mount arms compliment pole mount luminaires and attractively transition fixture scale in lower mounting height pedestrian environments. Wall mount arms are designed to fit both medium ECM/EMM housings. Arms feature a precision welded cast aluminum mounting hub for attachment of fixture head to arm with four stainless steel fasteners.

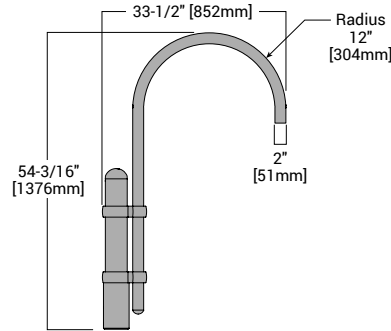
DESCRIPTION

STANDARD VERSIONS

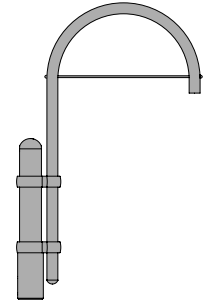
CROSS ROD VERSIONS

**BISHOP SINGLE POLE MOUNT ARM**

Slipfits over 4" round straight pole, or 4" O.D. by 6" tall round tenon.



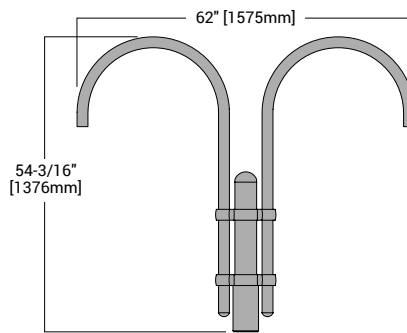
VA6105 (Modern), VA6154 (Classical)  
E.P.A: 0.92 | Weight: 24 lbs.



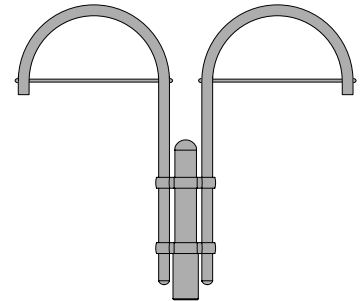
VA6106 (Modern), VA6155 (Classical)  
E.P.A: 0.98 | Weight: 25 lbs.

**BISHOP TWIN POLE MOUNT ARM**

Slipfits over 4" round straight pole, or 4" O.D. by 6" tall round tenon.



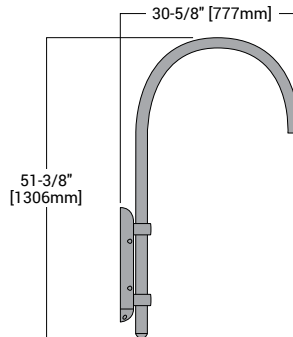
VA6107 (Modern), VA6156 (Classical)  
E.P.A: 1.43 | Weight: 37 lbs.



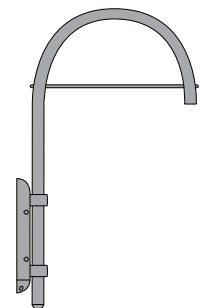
VA6108 (Modern), VA6157 (Classical)  
E.P.A: 1.55 | Weight: 39 lbs.

**BISHOP WALL MOUNT ARM**

Mounts to wall with four stainless steel lag bolts (provided by other).



VA6101 (Modern), VA6150 (Classical)  
Weight: 16 lbs.

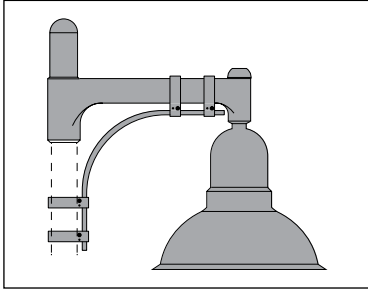


VA6102 (Modern), VA6151 (Classical)  
Weight: 17 lbs.

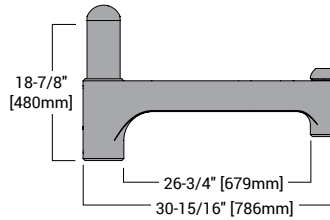
Mounting Accessories

DESCRIPTION

Slipfits over 4" round straight pole, or 4" O.D. by 6" tall round tenon.

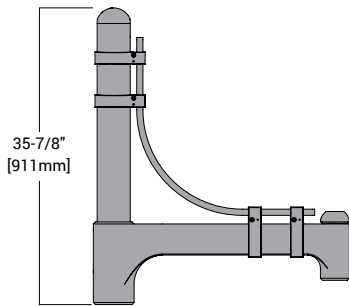


SINGLE POLE

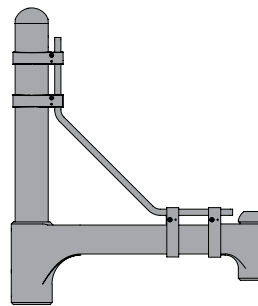


**TRADITIONAL SINGLE POLE MOUNT ARM**  
 VA6109 (Modern), VA6158 (Classical)  
 E.P.A: 0.86 | Weight: 20 lbs.

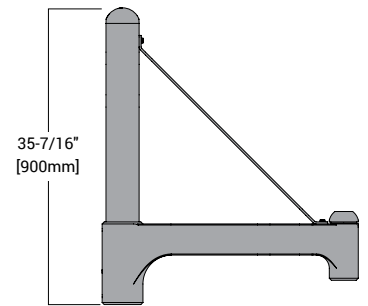
ADORNMENT ABOVE



**TRADITIONAL SINGLE POLE MOUNT ARM WITH ROUNDED UPPER BAR**  
 VA6110 (Modern), VA6159 (Classical)  
 E.P.A: 1.4 | Weight: 28 lbs.

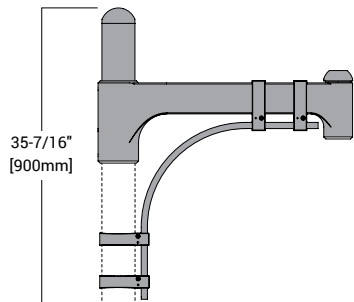


**TRADITIONAL SINGLE POLE MOUNT ARM WITH 45° UPPER BAR**  
 VA6112 (Modern), VA6161 (Classical)  
 E.P.A: 1.38 | Weight: 28 lbs.

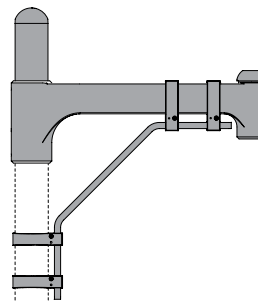


**TRADITIONAL SINGLE POLE MOUNT ARM WITH 45° UPPER STRAP**  
 VA6114 (Modern), VA6163 (Classical)  
 E.P.A: 1.17 | Weight: 24 lbs.

ADORNMENT BELOW



**TRADITIONAL SINGLE POLE MOUNT ARM WITH ROUNDED LOWER BAR**  
 VA6111 (Modern), VA6160 (Classical)  
 E.P.A: 1.16 | Weight: 25 lbs.

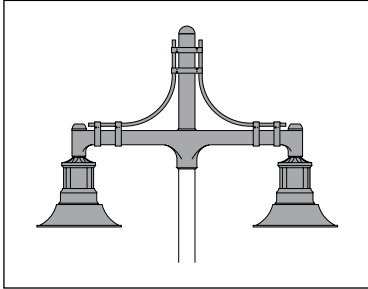


**TRADITIONAL SINGLE POLE MOUNT ARM WITH 45° LOWER BAR**  
 VA6113 (Modern), VA6162 (Classical)  
 E.P.A: 1.17 | Weight: 24 lbs.

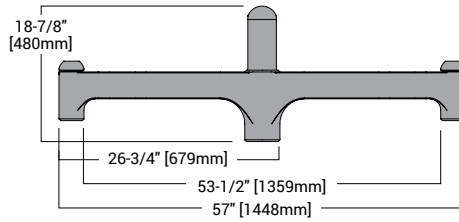
Mounting Accessories

DESCRIPTION

Slipfits over 4" round straight pole, or 4" O.D. by 6" tall round tenon.

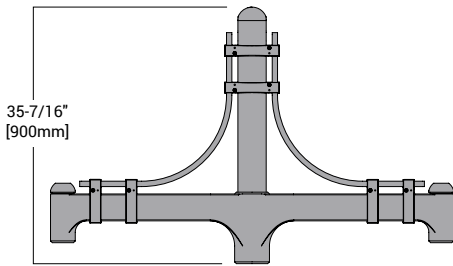


TWIN POLE

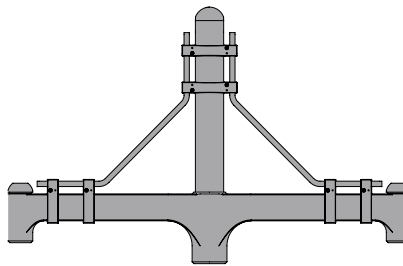


**TRADITIONAL TWIN POLE MOUNT ARM**  
 VA6116 (Modern), VA6165 (Classical)  
 E.P.A: 1.44 | Weight: 30 lbs.

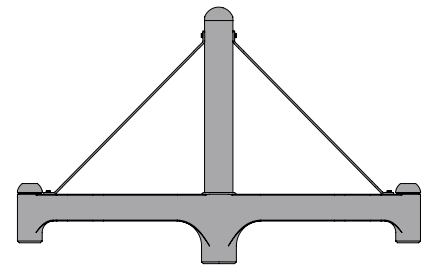
ADORNMENT ABOVE



**TRADITIONAL TWIN POLE MOUNT ARM WITH ROUNDED UPPER BARS**  
 VA6117 (Modern), VA6166 (Classical)  
 E.P.A: 2.28 | Weight: 43 lbs.

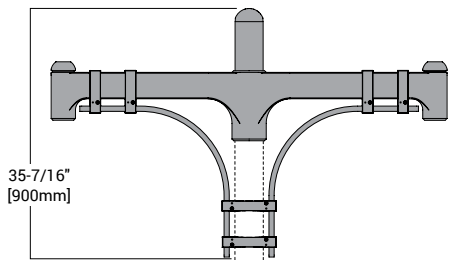


**TRADITIONAL TWIN POLE MOUNT ARM WITH 45° UPPER BARS**  
 VA6119 (Modern), VA6168 (Classical)  
 E.P.A: 2.24 | Weight: 43 lbs.

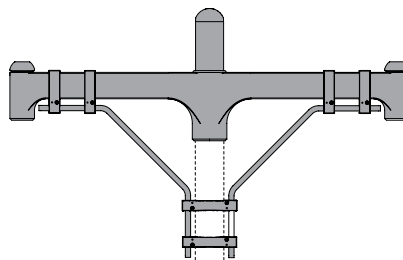


**TRADITIONAL TWIN POLE MOUNT ARM WITH 45° UPPER STRAPS**  
 VA6114 (Modern), VA6163 (Classical)  
 E.P.A: 1.81 | Weight: 37 lbs.

ADORNMENT BELOW



**TRADITIONAL TWIN POLE MOUNT ARM WITH ROUNDED LOWER BARS**  
 VA6118 (Modern), VA6167 (Classical)  
 E.P.A: 2.04 | Weight: 40 lbs.



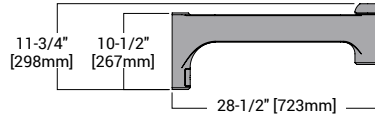
**TRADITIONAL TWIN POLE MOUNT ARM WITH 45° LOWER BARS**  
 VA6120 (Modern), VA6169 (Classical)  
 E.P.A: 2.0 | Weight: 40 lbs.

**Mounting Accessories**

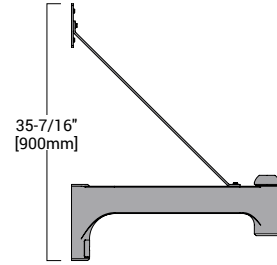
**DESCRIPTION**

Mounts to wall with four stainless steel lag bolts (provided by other).

**WALL MOUNT**



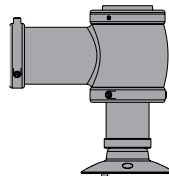
**TRADITIONAL WALL MOUNT ARM**  
VA6103 (Modern), VA6152 (Classical)  
Weight: 17 lbs.



**TRADITIONAL WALL MOUNT ARM WITH 45° STRAP**  
VA6116 (Modern), VA6165 (Classical)  
Weight: 18 lbs.

**ADAPTER**

Secures fixture to nominal 2" pipe (2-3/8" horizontal O.D.)



**MAST ARM ADAPTER**  
VA6122 (Modern), VA6171 (Classical)  
Weight: 4 lbs.

Energy and Performance Data

[View IES files](#)

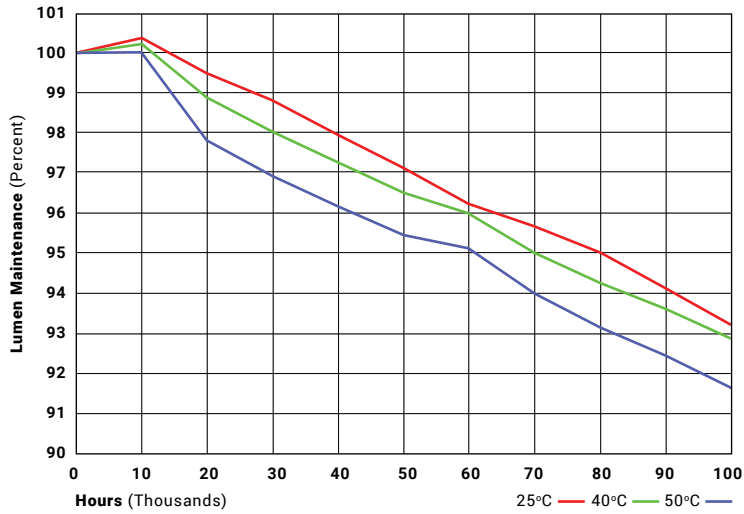
Lumen Maintenance

Ambient Temperature	25,000 Hours*	50,000 Hours*	60,000 Hours*	100,000 Hours	Theoretical L70 (Hours)
25°C	>99%	> 97%	> 96%	> 93%	> 450,000
40°C	>98%	> 97%	> 96%	> 92%	> 425,000
50°C	>97%	> 96%	> 95%	> 91%	> 400,000

\* Per IESNA TM-21 data.

Lumen Multiplier

Ambient Temperature	Lumen Multiplier
10°C	1.02
15°C	1.01
25°C	1.00
40°C	0.99
50°C	0.96





**Power and Lumens by Bar Count (21 LED Lightbars)**

Number of LightBARs		E01	E02	E03	E04
<b>Drive Current</b>		<b>350mA Drive Current</b>			
<b>Power (Watts)</b>		25W	52W	75W	97W
<b>Current @ 120V</b>		0.22	0.44	0.63	0.82
<b>Current @ 277V</b>		0.10	0.20	0.28	0.36
<b>Power (Watts)</b>		31W	58W	82W	99W
<b>Current @ 347V (A)</b>		0.11	0.19	0.28	0.29
<b>Current @ 480V (A)</b>		0.09	0.15	0.20	0.21
<b>T2</b>	Lumens	2,948	5,896	8,844	11,792
	BUG Rating	B1-U0-G1	B2-U0-G2	B3-U0-G3	B3-U0-G3
<b>T3</b>	Lumens	2,936	5,873	8,809	11,745
	BUG Rating	B1-U0-G1	B1-U0-G2	B3-U0-G3	B3-U0-G3
<b>T4</b>	Lumens	2,876	5,752	8,627	11,503
	BUG Rating	B1-U0-G1	B1-U0-G2	B3-U0-G2	B3-U0-G3
<b>5MQ</b>	Lumens	3,054	6,108	9,161	12,215
	BUG Rating	B2-U0-G1	B3-U0-G1	B3-U0-G2	B4-U0-G2
<b>5WQ</b>	Lumens	2,987	5,975	8,962	11,949
	BUG Rating	B2-U0-G1	B3-U0-G1	B3-U0-G2	B4-U0-G2
<b>5XQ</b>	Lumens	2,982	5,963	8,945	11,926
	BUG Rating	B2-U0-G1	B3-U0-G2	B3-U0-G3	B4-U0-G3
<b>SL2</b>	Lumens	2,878	5,756	8,634	11,512
	BUG Rating	B1-U0-G1	B1-U0-G2	B2-U0-G2	B2-U0-G2
<b>SL3</b>	Lumens	2,894	5,788	8,682	11,576
	BUG Rating	B1-U0-G1	B1-U0-G2	B2-U0-G2	B2-U0-G2
<b>SL4</b>	Lumens	2,823	5,647	8,470	11,294
	BUG Rating	B1-U0-G1	B1-U0-G2	B2-U0-G2	B2-U0-G2
<b>RW</b>	Lumens	2,957	5,915	8,872	11,829
	BUG Rating	B2-U0-G2	B3-U0-G3	B3-U0-G3	B3-U0-G3
<b>SLL/SLR</b>	Lumens	2,616	5,231	7,847	10,462
	BUG Rating	B1-U0-G2	B1-U0-G2	B1-U0-G3	B2-U0-G3

**Power and Lumens by Bar Count (7 LED Lightbars)**

Number of LightBARs		E01	E02	E03	E04
<b>Drive Current</b>		<b>1A Drive Current</b>			
<b>Power (Watts)</b>		26W	55W	78W	102W
<b>Current @ 120V</b>		0.22	0.46	0.66	0.86
<b>Current @ 277V</b>		0.10	0.21	0.29	0.37
<b>Power (Watts)</b>		32W	60W	85W	105W
<b>Current @ 347V (A)</b>		0.11	0.19	0.28	0.30
<b>Current @ 480V (A)</b>		0.09	0.15	0.21	0.22
<b>T2</b>	Lumens	2,434	4,867	7,301	9,735
	BUG Rating	B1-U0-G1	B2-U0-G2	B2-U0-G2	B3-U0-G3
<b>T3</b>	Lumens	2,424	4,848	7,272	9,696
	BUG Rating	B1-U0-G1	B2-U0-G2	B2-U0-G2	B3-U0-G3
<b>T4</b>	Lumens	2,374	4,748	7,122	9,496
	BUG Rating	B1-U0-G1	B1-U0-G2	B1-U0-G2	B2-U0-G2
<b>5MQ</b>	Lumens	2,521	5,042	7,563	10,084
	BUG Rating	B2-U0-G1	B3-U0-G1	B3-U0-G1	B3-U0-G2
<b>5WQ</b>	Lumens	2,466	4,932	7,398	9,864
	BUG Rating	B2-U0-G1	B3-U0-G1	B3-U0-G2	B4-U0-G2
<b>5XQ</b>	Lumens	2,461	4,923	7,384	9,845
	BUG Rating	B2-U0-G1	B3-U0-G2	B3-U0-G2	B4-U0-G3
<b>SL2</b>	Lumens	2,376	4,752	7,127	9,503
	BUG Rating	B1-U0-G1	B1-U0-G1	B2-U0-G2	B2-U0-G2
<b>SL3</b>	Lumens	2,389	4,778	7,167	9,556
	BUG Rating	B1-U0-G1	B1-U0-G1	B1-U0-G2	B2-U0-G2
<b>SL4</b>	Lumens	2,331	4,662	6,993	9,323
	BUG Rating	B1-U0-G1	B1-U0-G2	B1-U0-G2	B2-U0-G2
<b>RW</b>	Lumens	2,441	4,883	7,324	9,765
	BUG Rating	B1-U0-G1	B2-U0-G2	B3-U0-G3	B3-U0-G3
<b>SLL/SLR</b>	Lumens	2,159	4,318	6,478	8,637
	BUG Rating	B1-U0-G1	B1-U0-G2	B1-U0-G3	B1-U0-G3

**Control Options**

**0-10V (D)**

The DIM option provides 0-10V dimming wire leads for use with a lighting control panel or other control method.

**Photocontrol (PC, PER and PER7)**

Optional button-type photocontrol (PC) and photocontrol receptacles (PER and PER7) provide a flexible solution to enable “dusk-to-dawn” lighting by sensing light levels. Advanced control systems compatible with NEMA 7-pin standards can be utilized with the PER7 receptacle.

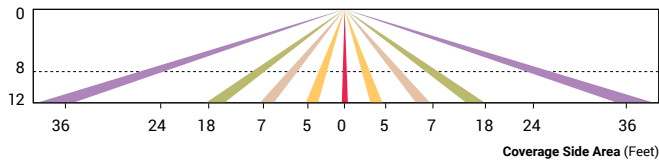
**Dimming Occupancy Sensor (MS/DIM-LXX, MS/X-LXX and MS-LXX)**

These sensors are factory installed in the luminaire housing. When the MS/DIM-LXX sensor option is selected, the occupancy sensor is connected to a dimming driver and the entire luminaire dims when there is no activity detected. When activity is detected, the luminaire returns to full light output. The MS/DIM sensor is factory preset to dim down to approximately 50 percent power with a time delay of five minutes. The MS-LXX sensor is factory preset to turn the luminaire off after five minutes of no activity. The MS/X-LXX is also preset for five minutes and only controls the specified number of light engines to maintain steady output from the remaining light engines.

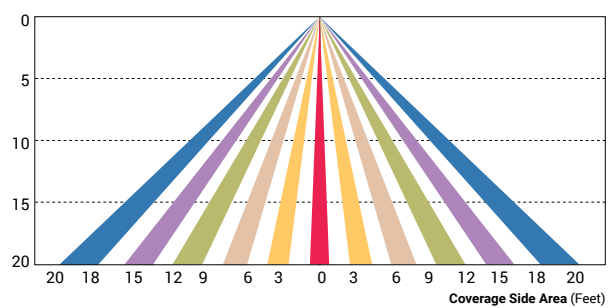
These occupancy sensors includes an integral photocell that can be activated with the FSIR-100 accessory for “dusk-to-dawn” control or daylight harvesting - the factory preset is OFF. The FSIR-100 is a wireless tool utilized for changing the dimming level, time delay, sensitivity and other parameters.

A variety of sensor lens are available to optimize the coverage pattern for mounting heights from 8'-40'.

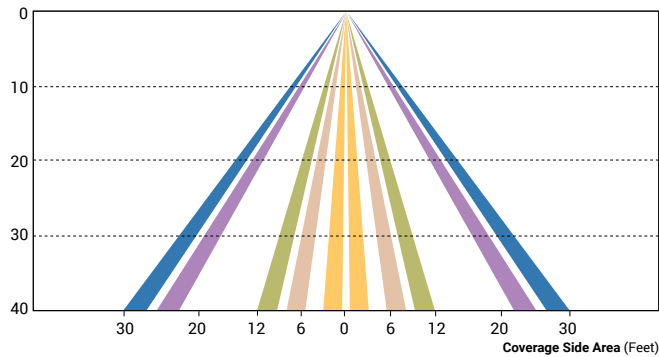
**For mounting heights up to 8' (-L08 - Cutoff 8' to 24)**



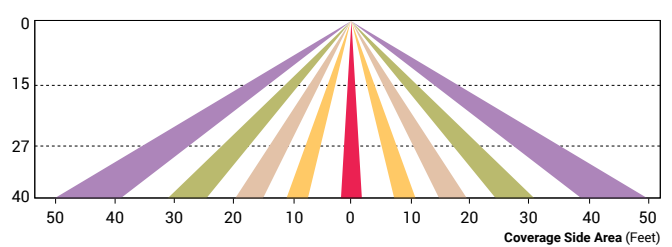
**For mounting heights up to 20' (-L20)**



**For mounting heights up to 40' (-L40W)**



**For mounting heights up to 40' (-L40W)**

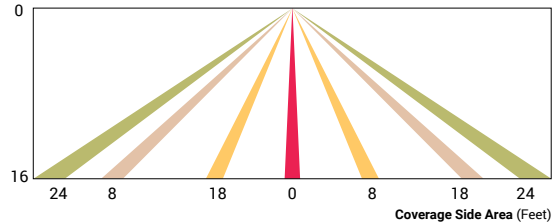


**LumaWatt Pro Wireless Control and Monitoring System (LWR-LW and LWR-LN)**

The LumaWatt Pro system is a peer-to-peer wireless network of luminaire-integral sensors for any sized project. Each sensor is capable of motion and photo sensing, metering power consumption and wireless communication. The end-user can securely create and manage sensor profiles with browser-based management software. The software will automatically broadcast to the sensors via wireless gateways for zone-based and individual luminaire control. The LumaWatt Pro software provides smart building solutions by utilizing the sensor to provide easy-to-use dashboard and analytic capabilities such as improved energy savings, traffic flow analysis, building management software integration and more.

For additional details, refer to the LumaWatt Pro product guides.

**For mounting heights from 8' to 16' (LWR-LW)**



**For mounting heights from 16' to 40' (LWR-LN)**

