

Project		Catalog #		Type	
Prepared by		Notes		Date	



Sure-Lites

SELDWA50PS Wall Mount Luminaire and Emergency Light

Architectural Outdoor Luminaire & UL 924
Emergency Light
AccuLED Optic
Self-diagnostics

Typical Applications

Office • Education • Healthcare • Hospitality • Retail • Industrial

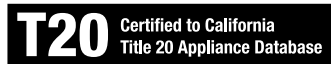
Interactive Menu

- Order Information [page 2](#)
- Photometric Data [page 2](#)
- Product Warranty

Top Product Features

- Normally-off / normally-on AC operation
- Photocontrol for dusk-to-dawn operation
- Provides 90-minutes of emergency lighting with loss of AC power
- 880 lumen output in AC mode
- 640 lumen output in emergency mode, 50 feet of egress coverage
- Labor-saving self-diagnostics for NFPA testing
- UL924 listed for wet location; NYC and Chicago Compliant
- Universal input 120 / 277 VAC.

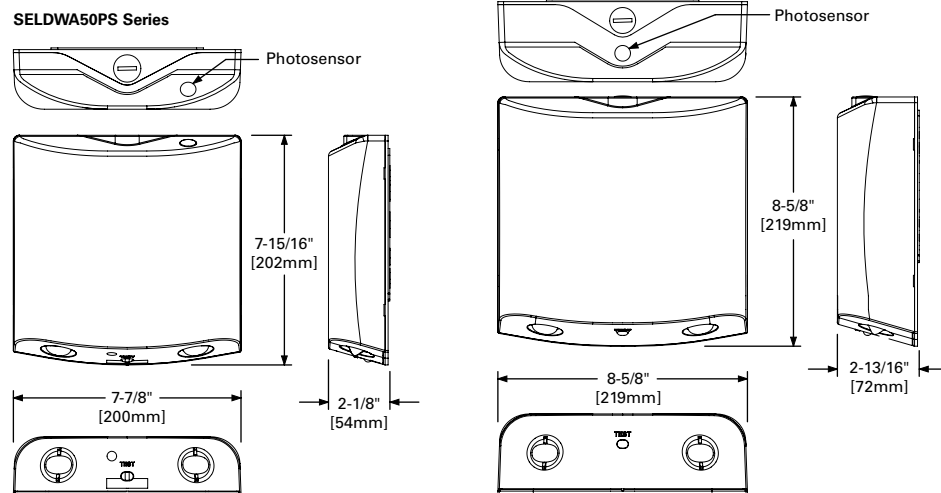
Product Certification



Product Features



Dimensional Details



[additional product diagrams](#)

Ordering Information

SAMPLE ORDER NUMBER: **SELDWTA50PSBKSD**

Series	Wet Location	Temperature	Type	Coverage	Photocontrol	Color	Self-diagnostics	Catalog
SELD	W=Wet Location	[Blank]=0 C to 40 C	A=Architectural	50=50 ft.	PS=Photosensor for Dusk to Dawn Operation	[Blank]=Silver BZ=Bronze WH=White	SD=Self-diagnostics (standard)	SELDWA50PSSD SELDWA50PSBZSD SELDWA50PSWHSD
Series	Wet Location	Temperature	Type	Coverage	Photocontrol	Color	Self-diagnostics	Catalog
SELD	W=Wet Location	T=-30 C to 40 C	A=Architectural	50=50 ft.	PS=Photosensor for Dusk to Dawn Operation	[Blank]=Silver BZ=Bronze BK=Black WH=White	SD=Self-diagnostics (standard)	SELDWTA50PSSD SELDWTA50PSBZSD SELDWTA50PSBKSD SELDWTA50PSWHSD

Product Specifications

Electrical

- Universal Input 120 / 277 VAC
- Brownout circuit
- Low voltage disconnect
- Overload / Short Circuit protection
- 4.8V Battery back-up
- 880 Lumen output in On Mode
- 5000K LED color temperature
- Self-diagnostics standard
- Minimum 90 minutes emergency run time with loss of AC power

Environmental

- Wet location
- SELDWA50PS: 0 °C to 40 °C (32 °F to 104 °F)
- SELDWTA50PS: -30° C to 40° C (-22° F to 104° F)

Housing Construction

- Die cast aluminum housing
- White, black, silver, or bronze textured finish
- Snap-fit construction to facilitate fast installation
- EZ Hang mounting feature
- Suitable for wall mount or conduit mount applications
- Universal J-box mounting pattern
- Keyhole mounting slots
- Aesthetically designed with a thin profile
- Sealed and gasketed for Wet Location use

Battery

- Sealed Nickel Cadmium
- Full Recharge Time, 24 hours (max.)

Warranty

- Five-year warranty
- Seven year pro-rated battery warranty

Code Compliance

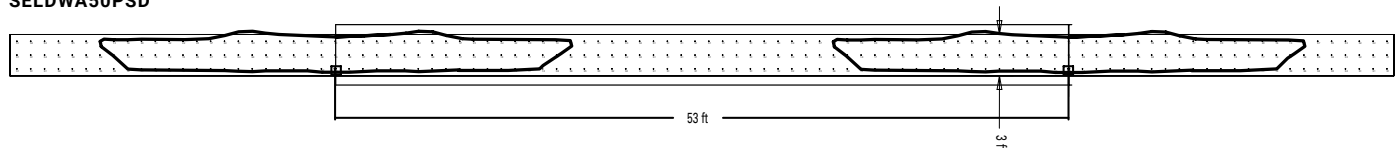
- UL924 Wet Location Listed
- Life Safety NFPA 101
- NEC/OSHA
- NEMA 4X
- IP64 Ingress protection
- Most State & Local Codes
- California Energy Code
- NYC compliant
- SELDWA50PS/SELDWTA50PS series is City of Chicago compliant

Electrical Data

Model	120V			277V		
	Power (W)	Current (A)	PF	Power (W)	Current (A)	PF
All Models	4.1	0.1	0.33	5.3	0.1	0.19

Photometry - Emergency Mode

SELDWA50PSD



X	Y	Z	Orient	Tilt
23.5	0.5	7.5	90	0
129.5	0.5	7.5	90	0
-29.5	0.5	7.5	90	0
76.5	0.5	7.5	90	0
182.5	0.5	7.5	90	0

[View IES files](#)

Technical Data

AccuLED Optics™

- Precision engineered optics display sharp cutoffs and oval light pattern for a clear path of egress per UL924 standards
- Efficient optical design increases spacing distance between units
- Provides evenly diffused light pattern throughout the egress path for both 1 footcandle average and 0.1 footcandle minimum
- Lens swivel feature provides forward-throw of egress lighting

Mechanical Housing

- Die-cast aluminum construction
- Mounting hole pattern is universal to junction box requirements and suitable for wall mount or conduit mount
- Housing color available in bronze, black, white or silver

EZ Hang Mounting Feature

- Hands-free feature allows installer to hang the emergency light face from the back plate to easily and efficiently make power connections

Wiring Configurations

- Dusk to dawn operation - unit turns on at night, off during the day.
- Switched control - user on or off via on/off switch. Note: cannot be used with dusk to dawn operation.
- Normally on - unit is on continuously.
- Normally off - unit operates as an emergency light only.

Brownout Circuit

- Monitors the flow of AC current
- Activates the emergency lighting system when a predetermined reduction/dip of AC power occurs (a dip in voltage will cause most ballasted products to extinguish, causing loss of normal lighting even though a total power failure has not occurred)

Low Voltage Disconnect

- Low-voltage circuitry disconnects the lighting load when battery's terminal voltage falls
- Disconnect remains in effect until normal utility power is restored, preventing deep battery discharge

Self-Diagnostics

- Automatically performs all tests required by UL924 and NFPA 101
- Indicates the status of the emergency light at all times using the LED indicator
- 90-minute battery power (emergency mode) simulation test occurs randomly once every 12 months
- 30-second battery power simulation test occurs every 30 days
- Solid-State microprocessor-based system has the ability to accurately detect and warn of system failures
- Incorporates all of the standard electronic features
- Systematically calibrates itself in the field, reducing installation labor and eliminating manual calibration errors

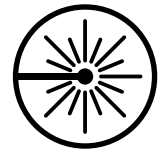
Battery

- Rechargeable battery offers high discharge rates and stable performance over a wide range of temperatures
- Resealable vent automatically controls cell pressure, designed to provide safe and reliable operation
- Suitable for harsh ambient temperatures: SELDWA50PS: 0°C to 40°C (32°F to 104°F) SELDWA50PS: -30°C to 40°C (-22°F to 104°F)

Warranty

- Five-year warranty against defects in material and workmanship
- Nickel cadmium battery has a seven-year prorated warranty

Self-diagnostics Testing Operations



Self-diagnostics

The Sure-Lites Self-diagnostics is continuously monitoring your emergency fixture, and will signal any failure through the two color indicator LED.

Initial Operation:

When the unit is first powered up, the lamp heads may briefly illuminate and then it will go into a 24 hour fast charge, indicated by the indicator LED alternating between red and green. Once the unit has fully charged, it will perform a self-calibration, after which the LED will change to steady green, indicating the unit is fully charged and float charging the battery to maintain readiness.

Automatic Testing:

The unit will perform a battery capacity, lamp/LED, and charge circuit test every 30 days for 30 seconds. During this testing period, the indicator LED will change to a flashing green. It will perform a full battery capacity (90-minute) test once per year. During this time, the indicator LED will change to a flashing green.

Manual Testing:

- 30-second Test - Press and release the test button once during float charge (steady green). The indicator LED will change to a blinking green to indicate the unit is performing a 30-second test of the batteries and lamps/LEDs
- 30-Minute Test - Press and release the test button twice (within 2 seconds) during float charge (steady green). The indicator LED will change to blinking green (2 blinks) to indicate the unit is performing a 30-minute test of the batteries and lamps/LEDs.
- 90-Minute Test - Press and release the test button thrice (within 2 seconds) during float charge (steady green). The indicator LED will change to blinking green (3 blinks) to indicate the unit is performing a 90-minute test of the batteries and lamps/LEDs.
- Canceling Test - Press the test button for three seconds and then release during the 30-second/30-minute/90-minute test (blinking green) to return the fixture to its original state (hi-charge or float charge).

Clearing Failure Codes:

- A battery failure (LED two blink red) can be cleared by replacing the battery. Or, starting a test and holding the test button for 6 seconds will reset the system and clear any error codes. However, the error will return if the battery is faulty.
- Charge Circuit (LED three flashing red) and lamp/LED failure (LED four blink red) will clear when the unit successfully passes a manual or automatic 30 second test. If the error persists after retesting contact your Cooper Lighting Solutions representative for assistance.

Indicators:

- LED Off - No power to unit, emergency mode.
- LED Alternating Red/Green - Unit is in fast charge state.
- LED Steady Green - Unit is fully charged and is float charging the battery to maintain readiness.
- LED Steady Red - Battery is disconnected.
- LED Green Blink - Unit is in test mode.
- LED One Blink Red - Unit has failed a charging test. The electronics likely need to serviced. See "Clearing Failure Codes" above.
- LED Two Blink Red - Battery has failed a capacity test, or the battery is disconnected. See "Clearing Failure Codes" above.
- LED Four Blink Red - Unit has failed lamp load test. LEDs may have been burned out and need to be serviced. See "Clearing Failure Codes" above.

Maintenance:

None required. Replace the batteries as needed according to ambient conditions. However, we recommend that the equipment be tested regularly in accordance with local codes.

SELF DIAGNOSTIC LEGEND

- (STEADY) NORMAL SERVICE
- (BLINK) TESTING
- (RED/GREEN FLASH) HI CHARGE
- (STEADY) BATTERY DISCONNECTED
- (FLASH) BATTERY RECHARGE FAILURE
- (DOUBLE BLINK) BATTERY FAILURE
- (FOUR BLINK) LAMP FAILURE
- (FIVE BLINK) REMOTE LAMP FAILURE

(WHEN APPLICABLE)
PRESS TEST SWITCH (WITHIN 2 SEC.)
1 TIME = 30 SEC. 2 TIME = 30 MIN.
3 TIME = 90 MIN.
SYSTEM RESET: PUSH AND HOLD TEST SWITCH FOR 6 SECONDS