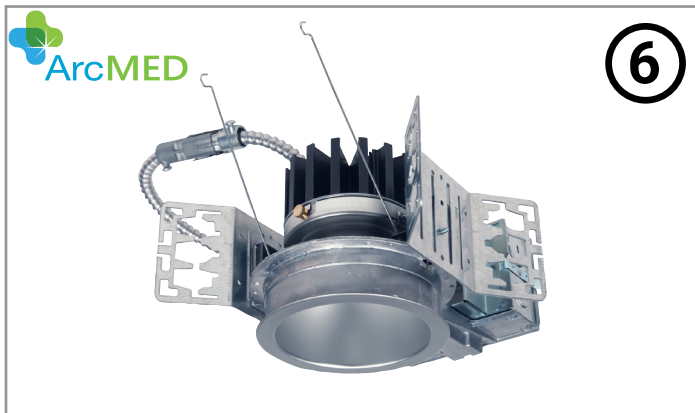


Project		Catalog #		Type	
Prepared by		Notes		Date	



Fail-Safe

FLD6C

Vandal Resistant / High Abuse
Sealed/Medical
6" Round Downlight
250-12,000 lumens

Typical Applications:

Sealed / Medical • Vandal Resistant • Behavioral Health • Patient Rooms • Food Service

Interactive Menu

- Order Information page 2
- Energy Data page 6
- Product Specifications page 7
- BioUp - Melanopic Lighting page 9
- Product Warranty

Top Product Features

- From 250 to 12,000 lumens for design flexibility
- Wet location standard (under covered ceiling)
- NSF listed for easy cleaning and wipe-down
- Choice of 6 reflector finishes
- Glass, acrylic, or polycarbonate bottom lens available for additional protection. Ligature resistant.
- IK10 impact resistant rated with polycarbonate bottom lens
- BioUp available for a 30% Biological Impact boost, compared to traditional LED sources
- Vandal resistant/high abuse, open or enclosed; Ligature resistant
- Options to meet Buy American and other domestic preference requirements

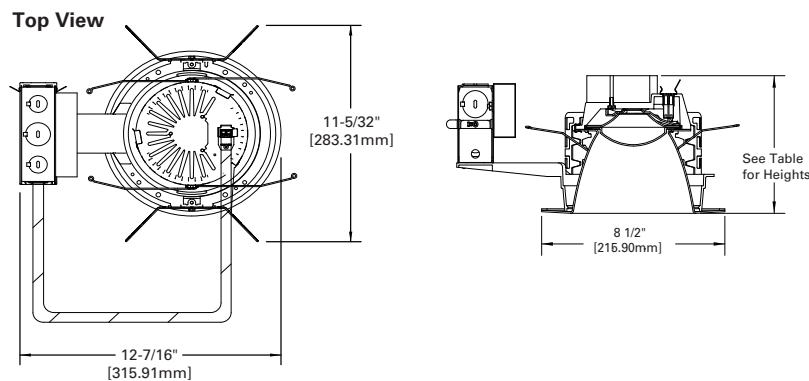
Product Certification



Product features



Dimensional and Mounting Details



See page 6 for dimensional details.

Below are SKUs that typically ship within 15 days.

6" Round

Housing	Module
FLD6C-10-D010	FEU6C-1025-90-30
FLD6CX-10-D010	FEU6C-1025-90-35
	FEU6C-1025-90-40
FLD6C-15-D010	
FLD6CX-15-D010	FEU6C-3040-90-30
	FUE6C-3040-90-35
	FEU6C-3040-90-40
FLD6C-20-D010	
FLD6CX-20-D010	
FLD6C-30-D010	
FLD6CX-30-D010	
FLD6C-40-D010	
FLD6CX-40-D010	

additional product diagrams



1. HOUSING

SAMPLE: **FLD6CX-20-D010**

FLD6CX-40-DE010-IEM14 (housing to accept enclosed reflector - 4 brackets - vandal or sealed/medical)

FLD6C-80-1D5LT (housing to accept open reflector - no brackets - sealed/medical)

Domestic Preferences ⁽¹⁾	Vandal/ High Abuse Housing	Sealed/Medical Housing		Lumens ⁽²⁾	Color Control	
<p>[Blank]=Standard BAA=Buy American Act TAA=Trade Agreements Act</p>	<p>Vandal Open FLD6CX=Housing, used with extended flanged reflector FLD6CXCP=Housing, used with extended flanged reflector, Chicago Plenum</p> <p>Vandal Enclosed FLD6CX=Housing, used with extended flanged reflector FLD6CXCP=Housing, used with extended flanged reflector, Chicago Plenum</p>	<p>Sealed/Medical Open FLD6C=Housing, used with standard flanged reflector FLD6CCP=Housing, used with standard flanged reflector, Chicago Plenum</p> <p>Sealed/Medical Enclosed FLD6CX=Housing, used with extended flanged reflector FLD6CXCP=Housing, used with extended flanged reflector, Chicago Plenum</p>		<p>02=250 lumens 05=500 lumens 08=800 lumens 10=1000 lumens 15=1500 lumens 20=2000 lumens 25=2500 lumens 30=3000 lumens 35=3500 lumens 40=4000 lumens 45=4500 lumens ⁽³⁾</p> <p>50=5000 lumens ⁽³⁾ 55=5500 lumens ⁽³⁾ 60=6000 lumens ⁽³⁾ 65=6500 lumens ⁽³⁾ 70=7000 lumens ⁽³⁾ 75=7500 lumens ⁽³⁾ 80=8000 lumens ⁽³⁾ 90=9000 lumens ⁽³⁾</p>	<p>D2W=Dim to warm (blank for all others)</p>	
<p>Notes (1) Only product configurations with these designated prefixes are built to be compliant with the Buy American Act of 1933 (BAA) or Trade Agreements Act of 1979 (TAA), respectively. Please refer to DOMESTIC PREFERENCES website for more information. Components shipped separately may be separately analyzed under domestic preference requirements.</p>	<p>FLD6CX</p>	<p>FLD6CX</p>	<p>FLD6C</p>	<p>FLD6CX</p>	<p>Notes (2) Nominal Lumens will vary depending on selected color, driver and reflector finish. (3) Product is marked spacing. Reference table on page 7 for the spacing details.</p>	<p>Notes D2W Max. 7000 lumens. Available 800-2500, 3500 to 5000, and 7000 lumens. See power module, next page.</p>
	VANDAL/HIGH ABUSE		SEALED/MEDICAL			

Housing Driver	Fixture (Housing) Options	Accessories ⁽⁷⁾
<p>D010=0-10V Dimming, 1% to 100%, 120V-277V, up to 7000 lumens 1D010=0-10V Dimming, 1% to 100%, 120V, 7500 lumens & above 2D010=0-10V Dimming, 1% to 100%, 277V, 7500 lumens & above 3D010=0-10V Dimming, 1% to 100%, 347V, dedicated drivers, 800-4000 lumens, 250, 500, 4500 & above use step down transformer 1 driver: 250-7000, 2 drivers: 7500-12000</p> <p>DE010=0-10V Dimming, 0% to 100%, 120V-277V, 500-7000 lumens 1DE010=0-10V Dimming, 0% to 100%, 120V, 7500 lumens & above 2DE010=0-10V Dimming, 0% to 100%, 277V, 7500 lumens & above 3DE010=0-10V Dimming, 0% to 100%, 347V, step down transformer, 500-12000 lumens 1 driver: 250-7000, 2 drivers: 7500-12000</p> <p>D5LT=Fifth Light® (DALI T6) Logarithmic Dimming, 0% to 100%, 120V-277V, 500-7000 lumens 1D5LT=Fifth Light® (DALI T6) Logarithmic Dimming, 0% to 100%, 120V, 7500 lumens & above 2D5LT=Fifth Light® (DALI T6) Logarithmic Dimming, 0% to 100%, 277V, 7500 lumens & above 3D5LT=Fifth Light® (DALI T6) Logarithmic Dimming, 0% to 100%, 347V, step down transformer, 500-12000 lumens 1 driver: 250-7000, 2 drivers: 7500-12000</p> <p>DLE=Lutron Ecosystem Dimming, 1% to 100%, 120V-277V, 800-3500 lumens 1DLE=Lutron Ecosystem Dimming, 1% to 100%, 120V, 4000-7500 lumens 2DLE=Lutron Ecosystem dimming 1% to 100%, 277V, 800-4000-7500 lumens 3DLE=Lutron Ecosystem dimming 1% to 100%, 347V, step down transformer, 800-7500 lumens</p> <p>Tunable White DE010-W2N-2765=Tunable white 2700-6500K, 0-10V Dimming, 0% to 100%, 120-277V 1000 lumens 1DE010-W2N-2765=Tunable white 2700-6500K, 120V, 0-10V Dimming, 0% to 100%, 1500-5000 lumens 2DE010-W2N-2765=Tunable white 2700-6500K, 277V, 0-10V Dimming, 0% to 100%, 1500-5000 lumens 3DE010-W2N-2765=Tunable white 2700-6500K, 347V with step down transformer, 0-10V Dimming, 0% to 100%, 1000-5000 lumens 1 driver: 1000-3500 lumens, 2 drivers: 4000-5000 lumens</p> <p>DE010-W2N-2050=Tunable white 2000-5000K, 0-10V Dimming, 0% to 100%, 120-277V 1000 lumens 1DE010-W2N-2050=Tunable white 2000-5000K, 120V, 0-10V Dimming, 0% to 100%, 1500-5000 lumens 2DE010-W2N-2050=Tunable white 2000-5000K, 277V, 0-10V Dimming, 0% to 100%, 1500-5000 lumens 3DE010-W2N-2050=Tunable white 2000-5000K, 347V with step down transformer, 0-10V Dimming, 0% to 100%, 1000-5000 lumens 1 driver: 1000-3500 lumens, 2 drivers: 4000-5000 lumens</p> <p>D5LT-W2N-2765=Tunable white 2700-6500K, 120V-277V Fifth Light® (DALI T6) Dimming, 0% to 100%, 120-277V 1000 lumens 1D5LT-W2N-2765=Tunable white 2700-6500K, 120V Fifth Light® (DALI T6) Dimming, 0% to 100%, 1500-5000 lumens 2D5LT-W2N-2765=Tunable white 2700-6500K, 277V Fifth Light® (DALI T6) Dimming, 0% to 100%, 1500-5000 lumens 3D5LT-W2N-2765=Tunable white 2700-6500K, 347V Fifth Light® (DALI T6) Dimming, 0% to 100%, 1000-5000 lumens 1 driver: 1000-3500 lumens, 2 drivers: 4000-5000 lumens</p> <p>D5LT-W2N-2050=Tunable white 2000-5000K, 120V-277V Fifth Light® (DALI T6) Dimming, 0% to 100%, 120-277V 1000 lumens 1D5LT-W2N-2050=Tunable white 2000-5000K, 120V Fifth Light® (DALI T6) Dimming, 0% to 100%, 1500-5000 lumens 2D5LT-W2N-2050=Tunable white 2000-5000K, 277V Fifth Light® (DALI T6) Dimming, 0% to 100%, 1500-5000 lumens 3D5LT-W2N-2050=Tunable white 2000-5000K, 347V with step down transformer Fifth Light® (DALI T6) Dimming, 0% to 100%, 1000-5000 lumens 1 driver: 1000-3500 lumens, 2 drivers: 4000-5000 lumens</p> <p>BioUp (see next page)</p>	<p>EMB0D=Bodine® Emergency Module with Remote Test Switch, 7 watt ⁽⁴⁾ EM7=7W Emergency Module with Remote Test Switch ^{(4), (5), (6)} EM14=14W Emergency Module with Remote Test Switch ^{(4), (5), (6)} IEMB0D=Bodine® Emergency Module with Integral Test Switch, 7 watt ^{(4), (5)} IEM7=7W Emergency Module with Integral Test Switch ^{(4), (5)} IEM14=14W Emergency Module with Integral Test Switch ^{(4), (5)} ETRD=Emergency Transfer Device ⁽²⁴⁾</p>	<p>HSA6=Slope Adapter for 6" Aperture Housings, Specify Slope (HSA6 is not recommended to use with Wall Wash) HB26=C-channel Bar Hanger, 26" Long, Pair HB50=C-channel Bar Hanger, 50" Long, Pair RB22=Wood Joist Bar Hanger, 22" Long, Pair H347=347 to 120V Step Down Transformer, 75VA H347200=347 to 120V Step Down Transformer, 200VA</p>
	<p>Notes (4) Not available with Chicago Plenum. (5) ULus listed only. (6) Transfer time from normal to EM power > 1 second. (24) Used to bypass local control during outage. Must be used in conjunction with UL 1008 device (provided by others)</p>	<p>Notes (7) Accessories sold separately will be separately analyzed under domestic preference requirements. Consult technical support for further information.</p>



1. HOUSING (continued)

Housing Driver	Fixture (Housing) Options	Accessories ⁽⁷⁾
<p>BioUp (continued)</p> <p>DE010B2750=BioUp tunable white 2700-5000K, 0-10V Dimming, 0% to 100%, 120-277V 800 lumens</p> <p>1DE010B2750= BioUp tunable white 2700-5000K, 120V, 0-10V Dimming, 0% to 100%, 1000-4000 lumens</p> <p>2DE010B2750= BioUp tunable white 2700-5000K, 277V, 0-10V Dimming, 0% to 100%, 1000-4000 lumens</p> <p>3DE010B2750= BioUp tunable white 2700-5000K, 347V with step down transformer, 0-10V Dimming, 0% to 100%, 800-4000 lumens</p> <p>1 driver: 800-2500 lumens; 2 drivers: 3000-4000 lumens</p>	<p>EMBOD=Bodine® Emergency Module with Remote Test Switch, 7 watt ⁽¹⁾⁽⁴⁾</p> <p>EM7=7W Emergency Module with Remote Test Switch ^{(4),(5),(6)}</p> <p>EM14=14W Emergency Module with Remote Test Switch ^{(4),(5),(6)}</p> <p>IEMBOD=Bodine® Emergency Module with Integral Test Switch, 7 watt ^{(4),(5)}</p> <p>IEM7=7W Emergency Module with Integral Test Switch ^{(4),(5)}</p> <p>IEM14=14W Emergency Module with Integral Test Switch ^{(4),(5),(6)}</p> <p>ETRD=Emergency Transfer Device ⁽²⁴⁾</p>	<p>HSA6=Slope Adapter for 6" Aperture Housings, Specify Slope (HSA6 is not recommended to use with Wall Wash)</p> <p>HB26=C-channel Bar Hanger, 26" Long, Pair</p> <p>HB50=C-channel Bar Hanger, 50" Long, Pair</p> <p>RMB22=Wood Joist Bar Hanger, 22" Long, Pair</p> <p>H347=347 to 120V Step Down Transformer, 75VA</p> <p>H347200=347 to 120V Step Down Transformer, 200VA</p>
<p>DE010B35, DE010B40, DE010B50 = BioUp Static White (choose 3500K, 4000K or 5000K), 0-10V Dimming, 0% to 100%, 120-277V 800 lumens</p> <p>1DE010B35, 1DE010B40, 1DE010B50 = BioUp Static White (choose 3500K, 4000K or 5000K), 120V, 0-10V Dimming, 0% to 100%, 1000-4000 lumens</p> <p>2DE010B35, DE010B40, DE010B50 = BioUp Static White (choose 3500K, 4000K or 5000K), 277V, 0-10V Dimming, 0% to 100%, 1000-4000 lumens</p> <p>3DE010B35, 3DE010B40, 3DE010B50 = BioUp Static White (choose 3500K, 4000K or 5000K) 347V with step down transformer, 0-10V Dimming, 0% to 100%, 800-4000 lumens</p> <p>1 driver: 800-2500 lumens; 2 drivers: 3000-4000 lumens</p>		
<p>D5LTB2750=BioUp Tunable white 2700-5000K, 120V-277V Fifth Light® (DALI T6) Dimming, 0% to 100%, 120-277V 800 lumens</p> <p>1D5LTB2750= BioUp Tunable white 2700-5000K, 120V Fifth Light® (DALI T6) Dimming, 0% to 100%, 1000-4000 lumens</p> <p>2D5LTB2750= BioUp Tunable white 2700-5000K, 277V Fifth Light® (DALI T6) Dimming, 0% to 100%, 1000-4000 lumens</p> <p>3D5LTB2750= BioUp Tunable white 2700-5000K, 347V with step down transformer Fifth Light® (DALI T6) Dimming, 0% to 100%, 800-4000 lumens</p> <p>1 driver: 800-2500 lumens; 2 drivers: 3000-4000 lumens</p>		
<p>D5LTB35, D5LTB40, D5LTB50= BioUp Static White (choose 3500K, 4000K or 5000K), 120V-277V Fifth Light® (DALI T6) Dimming, 0% to 100%, 120-277V 800 lumens</p> <p>1D5LTB35, 1D5LTB40, 1D5LTB50= BioUp Static White (choose 3500K, 4000K or 5000K), 120V Fifth Light® (DALI T6) Dimming, 0% to 100%, 1000-4000 lumens</p> <p>2D5LTB35, 2D5LTB40, 2D5LTB50= BioUp Static White (choose 3500K, 4000K or 5000K), 277V Fifth Light® (DALI T6) Dimming, 0% to 100%, 1000-4000 lumens</p> <p>3D5LTB35, 3D5LTB40, 3D5LTB50= BioUp Static White (choose 3500K, 4000K or 5000K), 347V with step down transformer Fifth Light® (DALI T6) Dimming, 0% to 100%, 800-4000 lumens, 1 driver: 800-2500 lumens; 2 drivers: 3000-4000 lumens</p>	<p>Notes</p> <p>(4) Not available with Chicago Plenum.</p> <p>(5) ULus listed only. (6) Transfer time from normal to EM power > 1 second.</p> <p>(24) Used to bypass local control during outage. Must be used in conjunction with UL 1008 device (provided by others)</p>	<p>Notes</p> <p>(7) Accessories sold separately will be separately analyzed under domestic preference requirements. Consult technical support for further information.</p>

2. MODULE



SAMPLE: FEU6C-1025-90-24 FEU6C-4080-97-27 FEU6C-0820B-9035
 FEU6C-3545-90-30-D2W FEU6C-4050-W2N-90-2050

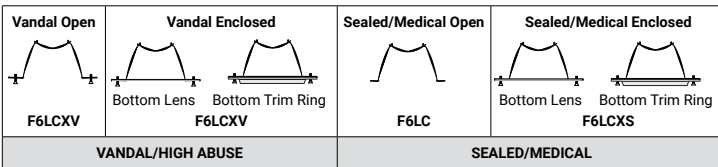
Domestic Preferences ⁽¹⁾	Power Module	Lumen Levels ⁽²⁾	CRI	Color		
[Blank] =Standard BAA =Buy American Act TAA =Trade Agreements Act	FEU6C =6-inch Universal LED Module	For use with one driver 0208IC =250, 500 and 800 lumens, IC Rated (for use with all drivers, min 500 lumens with DE010 and D5LT, min 800 lumens with Lutron) 1025 =1000, 1500, 2000, 2500 lumens 1015IC =1000, 1500 lumens IC Rated 3040 =3000, 3500, 4000 lumens (for use with Lutron 3000-3500, D010, D5LT and DE010 3000-4000) 4560 =4500, 5000, 5500, 6000 lumens (for use with D010, D5LT and DE010 4500-6000) ⁽³⁾ 6570 =6500, 7000 lumens (for use with D010, D5LT and DE010) ⁽³⁾	90 =90 CRI Minimum 97 =97 CRI Minimum	90 CRI 24 =2400K 27 =2700K 30 =3000K 35 =3500K 40 =4000K 50 =5000K		
		For use with two drivers 4080 =4000, 4500, 5000, 5500, 6000, 6500, 7000, 7500, 8000 lumens, (for use with Lutron 4000-7500 D010, D5LT & DE010 7500-8000 lumens) ⁽³⁾ 90120 =9000, 10000, 11000, 12000 lumens (D010, D5LT, DE010 to 9000-12000 lumens) ⁽³⁾		98 =98 CRI Minimum	98 CRI 27 =2700K 30 =3000K 35 =3500K 40 =4000K 50 =5000K	
		Dim 2 Warm 0825-90-30-D2W =800-2500 lumen, 90 CRI, Dim 2 Warm (1 driver and 1 LED) ⁽²⁴⁾ 3545-90-30-D2W =3500-4500 lumen, 90 CRI, Dim 2 Warm (2 drivers and LEDs) 70-90-30-D2W =7000 lumens, 90 CRI, Dim 2 Warm (3 drivers and LEDs) ⁽³⁾				
				Tunable white 1030-W2N-90-2765 =1000, 1500, 2000, 2500, 3000 lumens, 90 CRI, tunable white 2700K-6500K ⁽²⁵⁾ 1030-W2N-90-2050 =1000, 1500, 2000, 2500, 3000 lumens, 90 CRI, tunable white 2000K-5000K ⁽²⁵⁾ 35-W2N-90-2765 =3500 lumens, 90 CRI, tunable white 2700K-6500K ⁽³⁾ 35-W2N-90-2050 =3500 lumens, 90 CRI, tunable white 2000K-5000K ⁽³⁾ 4050-W2N-90-2765 =4000, 4500, 5000 lumens, 90 CRI, tunable white 2700K-6500K (2 drivers and LEDs) ⁽³⁾ 4050-W2N-90-2050 =4000, 4500, 5000 lumens, 90 CRI, tunable white 2000K-5000K (2 drivers and LEDs) ⁽³⁾		
				BioUp Tunable White		CRI / Color
		BioUp Tunable white 0820B =800, 1000, 1500, 2000 lumens, 90 CRI ⁽²⁴⁾ 2500B =2500 lumens, 90 CRI ⁽³⁾ 3040B =3000, 3500, 4000 lumens, 90 CRI ⁽³⁾	9035 = Static 3500K 9040 =Static 4000K 9050 =Static 5000K 902750 =BioUp Tunable White 2700K-5000K			
Notes (1) Only product configurations with these designated prefixes are built to be compliant with the Buy American Act of 1933 (BAA) or Trade Agreements Act of 1979 (TAA), respectively. Please refer to DOMESTIC PREFERENCES website for more information. Components shipped separately may be separately analyzed under domestic preference requirements.		Notes (2) Nominal Lumens will vary depending on selected color, CRI, driver and reflector finish. Reference IES files. (3) Product is marked spacing. Reference table on page 7 for the spacing details. (24) IC rated for 800 lumens. (25) IC rated for 1000 lumens.		Not necessary to specify CRI or Color for Dim 2 Warm and Tunable White from values above, called out within catalog logic, shown at left.		



3. TRIM/REFLECTOR

SAMPLES: **F6LC-M-1-LI** (open reflector, sealed/medical)
F6LCXV-M-2-H-BL86 (enclosed reflector, vandal, bottom lens, 0.25" clear polycarbonate lens)
F6LCXS-M-1-LI-BL89BV (enclosed reflector, sealed/medical, bottom lens, 0.125" smooth clear acrylic lens)

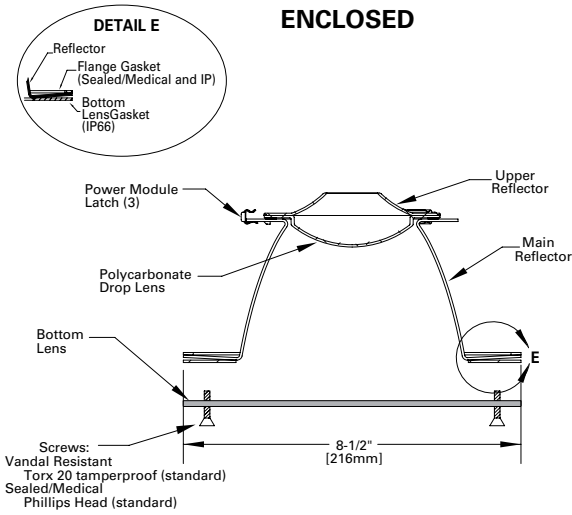
Base Trim	Distribution ⁽¹¹⁾	Flange	Reflector Finish	Trim Options ⁽²⁴⁾
Vandal Resistant ⁽⁹⁾ F6LCXV =(open) F6LCXS =(enclosed) Sealed/Medical F6LC =(open) F6LCXS =(enclosed)	All Trims M =Medium (50° Beam), Spun Aluminum Sealed/Medical Open Only (F6LC Only) W =Wide (Sealed/Medical open only) SW =Single Wall Wash Spun Aluminum (not IP rated) (Sealed/Medical open only) ^{(10), (12)} N =Narrow, Spun Aluminum ⁽¹³⁾ PS =Non-conductive, Shallow (Dead Front) ^{(16), (17)}	1 =Self-flanged ⁽¹⁸⁾ 2 =White Painted Self-flanged (not available with bottom trim ring, MW, or AMF reflector finish)	LI =Specular Clear ⁽²⁰⁾ H =Semi-Specular Clear ⁽²⁰⁾ WMH =Warm Haze ⁽²⁰⁾ MW =Matte White AMF =Antimicrobial, Matte White GW =Gloss White ⁽²²⁾	E =Integral Emergency Test Switch Hole ⁽¹⁴⁾ HS =High Security (F6LCXV only) ⁽²³⁾ Bottom Lens (enclosed only) ^{(19), (21)} BL84 =Bottom lens, 0.125" clear polycarbonate BL85 =Bottom lens, 0.187" clear polycarbonate BL86 =Bottom lens, 0.250" clear polycarbonate BL89AM =Bottom lens, 0.125" smooth opal polycarbonate BL89BV =Bottom lens, 0.125" smooth clear acrylic Bottom Trim Ring (enclosed only) ^{(19), (21), (22)} BTR84 =Bottom trim ring with 0.125" clear polycarbonate lens BTR85 =Bottom trim ring with .187" clear polycarbonate lens BTR86 =Bottom trim ring with 0.250" clear polycarbonate lens BTR89BV =Bottom trim ring with 0.125" smooth clear acrylic lens *For IP65 and IP66 - Refer to Compatibility Chart on Page 8
Notes (9) Vandal resistant open and enclosed, same trim catalog logic. The words vandal, vandal resistant, and high abuse are used interchangeably.	Notes (10) Not available with Chicago Plenum. (11) Product is marked spacing and must be installed with the following minimum spacing. Center to center of adjacent luminaires: 36". Center of luminaire to side of building member: 18". Minimum overhead: 1/2". (12) Not available on Vandal Resistant Open. (13) Use with single LED driver (16) PS available in self-flanged MW finish only (17) Offered up to 2000 lumens.	Notes (18) Flange is same finish as the reflector.	Notes (20) Anodized or spun reflectors.	Notes (14) Only available with medium bottom lens, and bottom trims. Required with all IEM00, IEM7, IEM14 housings. (19) For open style, do not specify either Bottom Lens or Bottom Trim. For enclosed units, specify either Bottom Lens or Bottom Trim but not both. (21) Additional lens options for the BL (bottom lens) and BTR (bottom trim ring), available, see Downlight Lens Guide on page 8. (22) Bottom Trim Ring (BTR) is AMF standard. For Gloss White Bottom Trim Ring, specify BTRGW then the lens designation. Example: BTRGW84. (23) HS only available on F6LCXV trim with BTR84, BTR85, or BTR86 bottom trim rings. F6LCXV bottom trim is only compatible with FLD6CX housing. (24) NSF listing is only available with the Sealed/Medical Open or Sealed/Medical Enclosed with Phillips head screws.



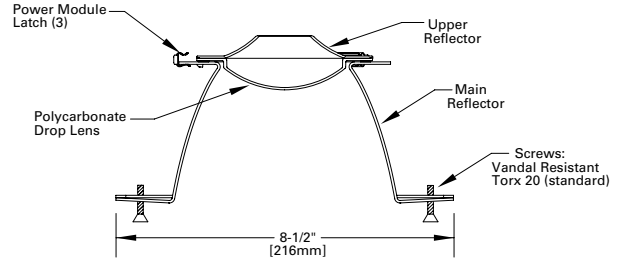


Dimensional and Mounting Details

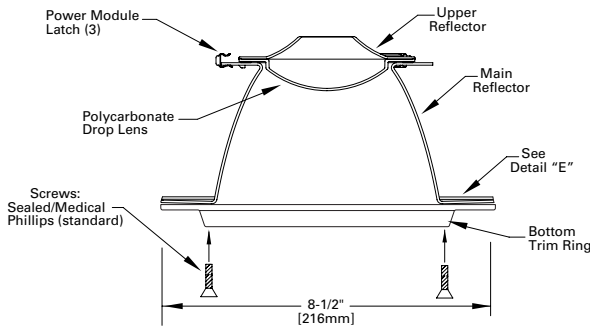
VANDAL RESISTANT/ HIGH ABUSE & SEALED/MEDICAL BOTTOM LENS ENCLOSED



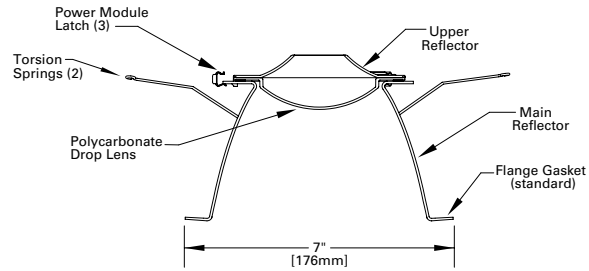
VANDAL RESISTANT/ HIGH ABUSE OPEN



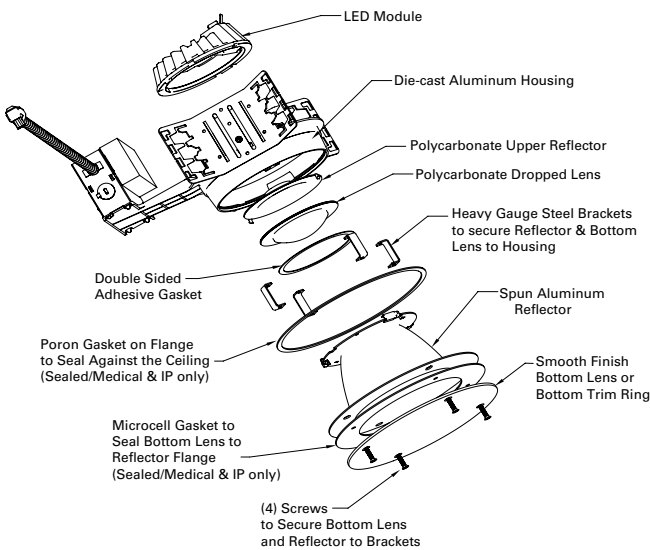
SEALED/MEDICAL BOTTOM TRIM RING ENCLOSED



SEALED/MEDICAL OPEN



ENCLOSED BOTTOM LENS or BOTTOM TRIM RING



NOTE:

Sealed Medical Regress Lens has gasket on flange to seal against ceiling and is attached to housing with torsion springs.

Below are SKUs that typically ship within 15 days.

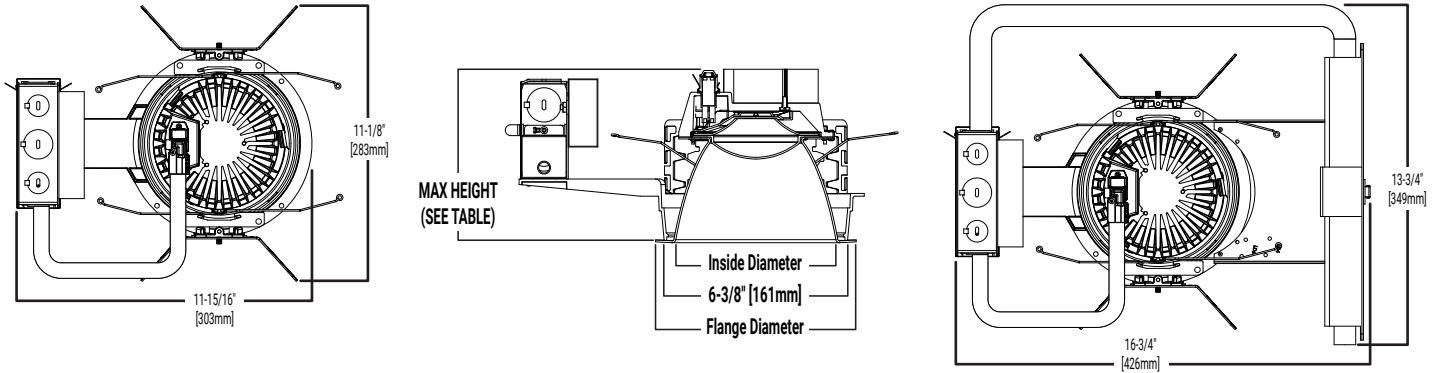
6" Round

Housing	Module
FLD6C-10-D010	FEU6C-1025-90-30
FLD6CX-10-D010	FEU6C-1025-90-35
FLD6C-15-D010	FEU6C-1025-90-40
FLD6CX-15-D010	FEU6C-3040-90-30
FLD6C-20-D010	FUE6C-3040-90-35
FLD6CX-20-D010	FEU6C-3040-90-40
FLD6C-30-D010	
FLD6CX-30-D010	
FLD6C-40-D010	
FLD6CX-40-D010	

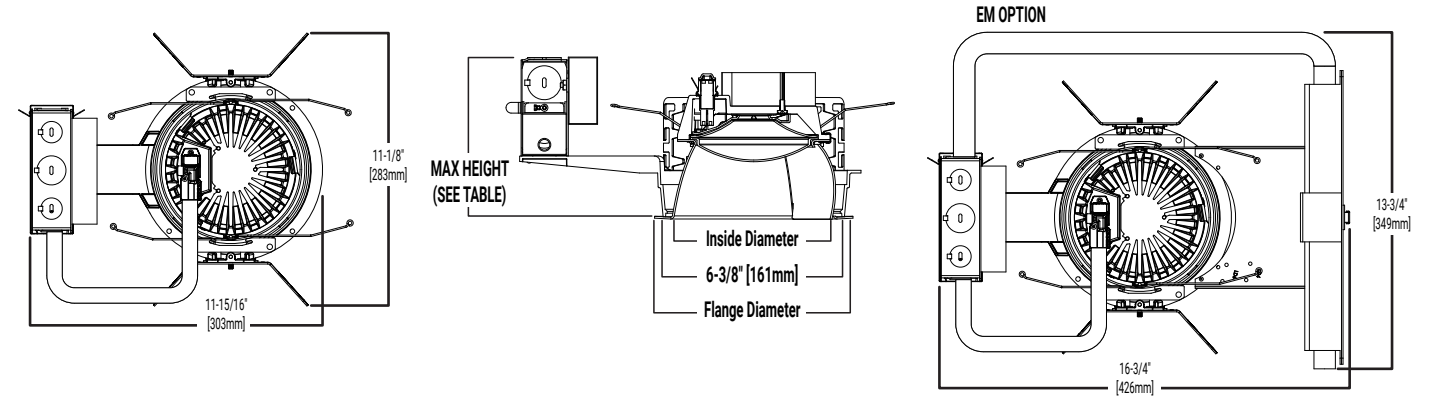
Dimensional and Mounting Details



DOWNLIGHT



WALL WASH



Trim Type	Flange DIAMETER [IN]	INSIDE DIAMETER [IN]	MAX HEIGHT				
			250-2500 LUMENS	3000-4000 LUMENS	1000-1500IC LUMENS	6500-7000 LUMENS	9000-12000 LUMENS
Narrow	6.94	5.54	5.7	5.9	6.1	7.1	9.1
Medium	6.94	5.54	5.7	5.9	6.1	7.1	9.1
Wide	6.94	5.56	5.6	5.6	5.6	6.2	8.2
Plastic (Dead Front)	6.94	5.66	5.6	5.6	5.6	5.6	6.7
Wall Wash, Single	6.94	5.56	5.6	5.6	5.6	6.2	8.2

Energy and Performance Data



D010 DRIVER ENERGY DATA

Series	250 lumen		500 lumen		800 lumen		1000 lumen		1500 lumen		2000 lumen	
Input Voltage 120-277VAC	120V	277V	120V	277V	120V	277V	120V	277V	120V	277V	120V	277V
Input Current (A)	0.029	0.017	0.061	0.032	0.085	0.041	0.084	0.042	0.135	0.063	0.189	0.084
Input Power (W)	3.45	3.87	7.33	7.78	10.15	10.52	10.04	10.43	16.17	16.56	22.58	22.63
In-rush (A)	2.1	8.5	3.7	8.5	3.6	8.3	3.6	8.4	2.3	9.5	2.1	9.7
Inrush duration (µs)	250	131	190	136	220	135	226	136	230	125	243	132
THDi (%)	7.21	16.92	7.82	10.78	5.57	9.63	7.78	9.24	4.75	9.93	8.03	7.44
PF	≥ 0.98	≥ 0.9	≥ 0.99	≥ 0.93	≥ 0.99	≥ 0.95	≥ 0.99	≥ 0.95	≥ 0.99	≥ 0.94	≥ 0.99	≥ 0.96

Series	2500 lumen		3000 lumen		3500 lumen		4000 lumen		4500 lumen		5000 lumen	
Input Voltage 120-277VAC	120V	277V	120V	277V	120V	277V	120V	277V	120V	277V	120V	277V
Input Current (A)	0.276	0.121	0.276	1.121	0.333	0.152	0.404	0.181	0.421	0.192	0.491	0.216
Input Power (W)	32.98	32.57	32	32.57	39.83	39.84	48.38	47.94	50.22	50.17	58.69	58.01
In-rush (A)	2.5	11.8	3.6	11.8	3.1	14.3	3.1	14.5	5.6	22.6	5.6	22.6
Inrush duration (µs)	215	111	220	111	200	94	197	95	215	120	213	135
THDi (%)	9.86	6.57	5.57	6.57	4.25	10.05	5.02	7.97	6.12	8.35	8.51	7.92
PF	≥ 0.99	≥ 0.97	≥ 0.99	≥ 0.99	≥ 0.99	≥ 0.94	≥ 0.99	≥ 0.95	≥ 0.99	≥ 0.95	≥ 0.99	≥ 0.96

Series	5500 lumen		6000 lumen		6500 lumen		7000 lumen		7500 lumen		8000 lumen	
Input Voltage 120-277VAC	120V	277V	120V	277V	120V	277V	120V	277V	120V	277V	120V	277V
Input Current (A)	0.526	0.231	0.542	0.256	0.572	0.266	0.632	0.292	0.668	0.306	0.734	0.332
Input Power (W)	62.97	61.97	64.88	65.7	68.35	69.02	75.56	75.85	79.89	80.09	88.01	87.81
In-rush (A)	5.1	23.1	6.2	27.5	6.3	28.4	6.4	29.1	6.4	28.7	6.3	29.7
Inrush duration (µs)	217	138	188	101	189	92	187	90	185	100	187	123
THDi (%)	9.42	7.16	4.33	11.86	4.38	11.33	4.84	10.32	4.46	9.85	3.92	8.92
PF	≥ 0.99	≥ 0.96	≥ 0.99	≥ 0.93	≥ 0.99	≥ 0.93	≥ 0.99	≥ 0.94	≥ 0.99	≥ 0.94	≥ 0.99	≥ 0.95

Series	9000 lumen	
Input Voltage 120-277VAC	120V	277V
Input Current (A)	0.842	0.374
Input Power (W)	101.12	99.88
In-rush (A)	12.9	28.6
Inrush duration (µs)	170	97
THDi (%)	5.74	9.28
PF	≥ 0.99	≥ 0.95

Minimum starting temperature -30°C (-22°F)*
(Nominal input 120-277VAC & 100% of rated output power)

Sound Rating: Class A standards

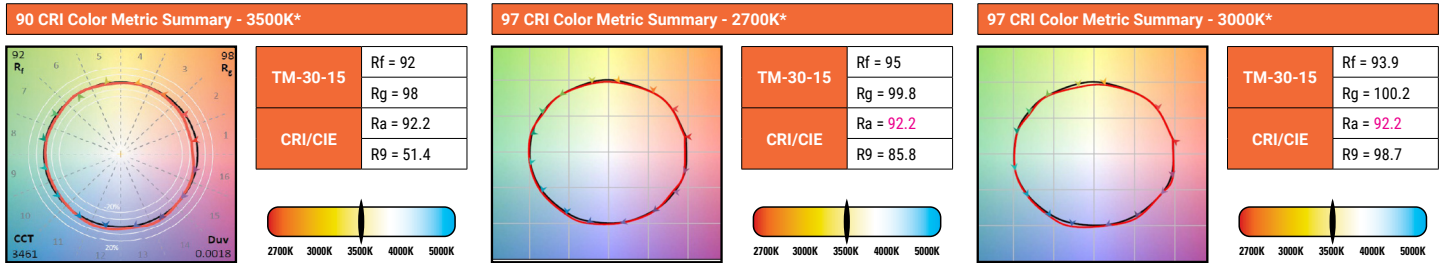
Notes:
Emergency Battery packs are rated for a minimum starting temperature of 0°C.

Marked Spacing

6-inch Marked spacing for 90 and 97 CRI			
4500-6000	36	36	6
6500-12,000	36	36	8

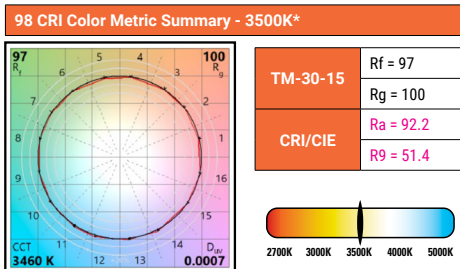


COLOR METRICS - TM-30-15 & CRI/CIE



* Color values are based on haze reflector, other finishes and field results may vary.

COLOR METRICS - TM-30-15 & CRI/CIE



* Color values are based on haze reflector, other finishes and field results may vary.

Product Specifications

Lower Shielding Reflector

- Self-flanged, spun .050" thick aluminum lower reflector in combination with a lensed upper optical chamber provides superior lumen output with minimal source brightness.

Trim Retention

- For sealed/medical and vandal resistant/high abuse bottom lens and bottom trim ring, the lower reflector is retained with (4) counter sunk screws.
- Sealed/Medical versions utilize Philips head screws. Vandal Resistant versions utilize Torx® T20 screws with center pin reject.
- Open Sealed/Medical reflector uses torsion springs.
- Bottom Trim Ring is standard anti-microbial matte white paint.

LED

- High brightness LED's combined with a high reflectance upper reflector and convex lens for even distribution with no pixilation.
- Lumen output shall not decrease by more than 10% over the minimum life of 55,000 hours (L90 > 55,000 hours).
- Auto resetting, thermally protected, LED's turn off when safe operating temperatures exceeded.
- Color variation within 3-step MacAdam ellipses.
- Disconnect allows for tool-less replacement of LED engine from below ceiling.
- Available 80, 90, 97, or 98 CRI.

Driver

- Combination 120-277V 0-10V or 120V trailing edge phase cut driver provides flicker free dimming from 100% to 10%.
- Optional for 1000-4000 lumens, 1% 0-10V, Fifth Light, or Lutron® Ecosystem. Driver can be serviced from above or through the aperture.

Lenses

- All versions include a nonremovable upper lens, 0.060" thick frosted polycarbonate.
- Bottom lens is a single, smooth, acrylic or polycarbonate up to 0.250" thick.
- Bottom trim ring lens is acrylic, polycarbonate, or tempered glass up to .0250" total thickness.
- Additional lens options are available on page 8.
- Bottom polycarbonate lens IK10 impact resistant rated

Code Compliance

- cULus listed for wet locations under covered ceiling standard.
- Non-IC rated insulation must be kept 3" from top and sides of housing.
- NSF/ANSI 2 certified for Splash/NonFood Zone. Typical rating for lighting equipment not subjected to direct food contact. This listing is only applicable with Sealed/Medical Open or Sealed/Medical Enclosed using Phillips head screws)
- FCC CFR Title 47 Part 15 Class B at 120VAC and Class A at 277VAC

Warranty

- 5 year limited warranty

View IES files

Downlight Lens Guide



Downlight Lens Guide

Lens	Description	BTR Bottom Trim (BTR) (Total Maximum Lens Thickness is .375")	BL Bottom Lens (BL) (Single Smooth Acrylic or Polycarbonate Lens Only)	Open
80	Acrylic, Prismatic Pattern 12, 0.125"		N/A	N/A
89AG	Acrylic, Prismatic Pattern 19, 0.156"		N/A	N/A
89BV	Acrylic, Smooth, Clear 0.125"			N/A
89BW	Acrylic, Smooth, Opal 0.125"			N/A
94	Glass, Tempered, Smooth, Clear, 0.187"		N/A	N/A
89AH	Polycarbonate, Prismatic Pattern 12, 0.125"		N/A	N/A
82	Polycarbonate, Prismatic Pattern 12, 0.187"		N/A	N/A
84	Polycarbonate, Smooth, Clear 0.125"		IK10	N/A
85	Polycarbonate, Smooth, Clear 0.187"		IK10	N/A
86	Polycarbonate, Smooth, Clear 0.250"		IK10	N/A
87	Polycarbonate, Smooth, Clear 0.375"		IK10	N/A
89AM	Polycarbonate, Smooth, Opal 0.125"		IK10	N/A

Housing, Trim Compatibility and Listings Chart

COMPATABILITY CHART						
	SEALED/MEDICAL			VANDAL RESISTANT/HIGH ABUSE		
DIAGRAM						
Description	OPEN	ENCLOSED BOTTOM LENS	ENCLOSED BOTTOM TRIM RING	OPEN	ENCLOSED BOTTOM LENS	ENCLOSED BOTTOM TRIM RING
Housing	FLD6C FLD6CCP	FLD6CX, FLD6CXCP		FLD6CX, FLD6CXCP		
Wet Location	Standard	Standard	Standard	Standard	Standard	Standard
NSF	Standard	Standard	Standard	Not Available	Not Available	Not Available
IP65/66	IP65 Standard	*IP65 Available	IP66 Standard	IP65 available	*IP65 Available	IP66 available
Class100/ISO	Standard	Not Available	Standard	Standard w/IP65	Not Available	Standard w/IP66
Ceiling Cut-Out Dimensions	5.688"- 6.325"	8.000"- 8.186"	8.000"- 8.186"	8.000"- 8.186"	8.000"- 8.186"	8.000"- 8.186"

IP65 & IP66 ratings are from the room-side only on all applications.

Sealed/Medical (Bottom Lens)

*IP65 available. The sealed medical with bottom lens option is the IP65 compliant open reflector - with an attached bottom lens. During the IP65 test, no dust entered into the reflector from the bottom lens, but a miniscule amount of water did enter (on top of the bottom lens). However, no water can penetrate the upper reflector, and enter into the electrical - and there remains an impenetrable seal between the ceiling and the luminaire.
For IP65, specify at end of logic. Ex: F6LCXSM1LIBL84/65

Sealed/Medical (Open & Bottom Trim Ring)

IP65 or IP66 is standard on open & enclosed bottom trim ring, no need to specify in the ordering logic.

Vandal Resistant/High Abuse (Open)

IP65 available
For IP65, specify at end of logic. Ex: F6LCXVM1LI/65

Vandal Resistant/High Abuse (Bottom Lens)

*IP65 available. The sealed medical with bottom lens option is the IP65 compliant open reflector - with an attached bottom lens. During the IP65 test, no dust entered into the reflector from the bottom lens, but a miniscule amount of water did enter (on top of the bottom lens). However, no water can penetrate the upper reflector, and enter into the electrical - and there remains an impenetrable seal between the ceiling and the luminaire.
For IP65, specify at end of logic. Ex: F6LCXVM1LIBL85/65

Vandal Resistant/High Abuse (Bottom Trim Ring)

IP66 available
For IP65, specify at end of logic. Ex: F6LCXVM1LIBTR86/66

Proven Research. Industry Recognized.

BioUp

Melanopic Lighting



See better



Feel better



Function better



See [BioUp brochure](#) for more details

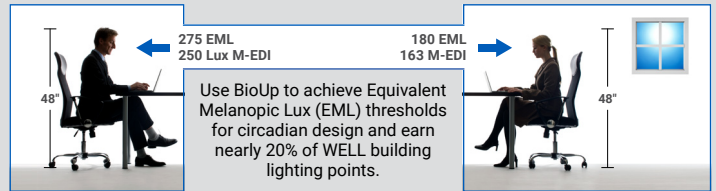


ANSI/IES RP-46-23 / TM18 published March 2024 based on over 40 years of research.

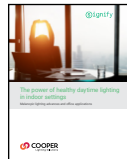
"...circadian clock synchronization is paramount to the body's efficient and appropriate functioning." – TM18



BioUp solutions maximize WELL points for Circadian Lighting Design (L03):



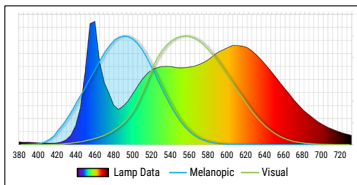
MDER, M-EDI and EML are key metrics used to quantify non-visual performance of indoor lighting systems.



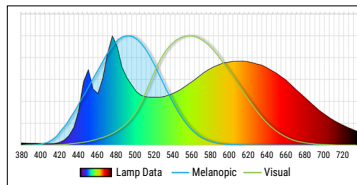
See [BioUp white paper](#) for more details

MDER - Melanopic Daylight Efficacy Ratio (MDER) measures the amount of light stimulating to the melanopsin receptors.

Standard 4000K LED
MDER = .62



BioUp 4000K LED
MDER = .82



30% boost Biological impact compared to traditional LED sources

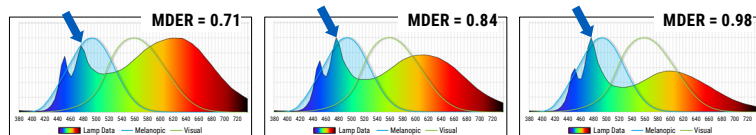
CCT	LED MDER ~83 CRI	BioUp Static		BioUp Dynamic	
		MDER	CRI	MDER	CRI
2700K	0.44	-	-	0.43	95
3000K	0.49	-	-	0.54	94
3500K	0.56	0.71	90	0.71	90
4000K	0.64	0.84	87	0.82	87
5000K	0.77	0.98	84	0.98	84

BioUp enhances the LED spectrum with cyan light at 475nm increasing the biological impact of the light to enhance our circadian rhythm which regulates our sleep/wake cycle, daytime engagement, and mood – **all without distorting visual color impression.**

Static (non-tunable)

Static BioUp is used when simple Melanopic Lighting is desired at all times.

Arrow in graph shows BioUp spectrum boost is at 475nm where non-visual biological response is enhanced.



3500K or **4000K** or **5000K**

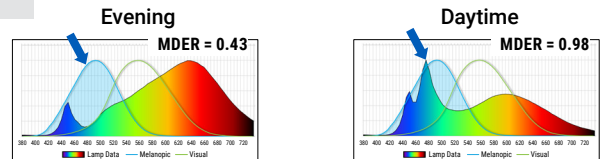
Cyan light component always present



> no CCT control needed

Dynamic - (Tunable)

Dynamic BioUp is used when Melanopic Lighting is desired to adjust during the day.



Warmer CCT Without Cyan content ← → Cooler Light With Cyan content

2700K – 5000K



> Control with Wavelinx, 2ch 0-10V, or DALI