

| | | | | | |
|-------------|--|-----------|--|------|--|
| Project | | Catalog # | | Type | |
| Prepared by | | Notes | | Date | |



Metalux

SNLED Lensed

Lensed LED Strip Round and Square Lens

Typical Applications

Storage / Utility • Coves • Display Cases • Task and General Area

Interactive Menu

- Order Information [page 2](#)
- Photometric Data [page 3](#)
- Connected Systems [page 3](#)
- Product Warranty

Product Certification



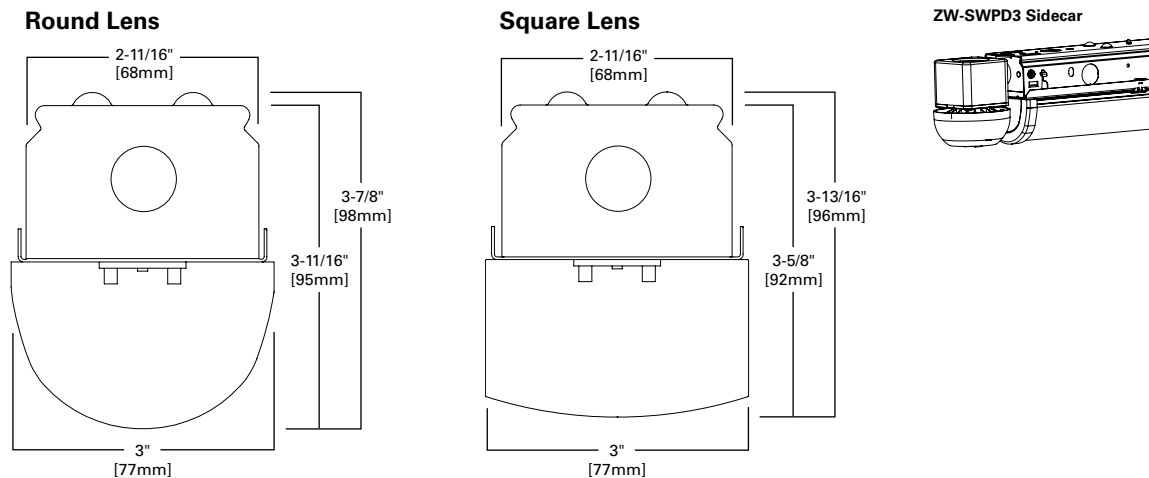
Product Features



Top Product Features

- Standard (SL) and High lumen/High Efficacy (HL) packages
- High efficiencies - up to 153 LPW
- Three different lens types for optical control
- Two different reflectors for precise distribution control
- Available CCT: 3000K, 3500K, 4000K and 5000K
- Minimum CRI of 80; 90 CRI available
- Options to meet Trade Agreements Act requirements

Dimensional Details



[additional product diagrams](#)

Order Information

SAMPLE ORDER NUMBER: **4SNLED-LD5-46SL-LN-UNV-L835-CD1-U**
8TSNLED-LD5-200HL-SLN-UNV-EL7W-L840-CD2-U

| Domestic Preferences ⁽¹⁹⁾ | Length | | | Series | Lamp Type |
|--|---------|---------|----------|--|---------------------|
| [Blank] =Standard TAA =Trade Agreements Act | 2=2 ft. | 4=4 ft. | 8T=8 ft. | SNLED =Commercial LED Striplight ⁽¹⁾ | LD5 =LED 5.0 |

LED Lumen Packages ⁽²⁾

| 2 ft. Round Lens | | | 4 ft. Round Lens | | | 8 ft. Round Lens | | | 2 ft. Square Lens | | | 4 ft. Square Lens | | | 8 ft. Square Lens | | |
|------------------|-------------------|-----------------|------------------|-------------------|-----------------|----------------------|----------------------|-----------------|-------------------|-------------------|-----------------|-------------------|-------------------|-----------------|----------------------|----------------------|----------------------|
| LC | LN | LW | LC | LN | LW | LC | LN | LW | SLC | SLN | SLW | SLC | SLN | SLW | SLC | SLN | SLW |
| 18SL | 18SL | 16SL | 18SL | 18SL | 16SL | 60SL | 60SL | 54SL | 19SL | 19SL | 16SL | 19SL | 19SL | 15SL | 60SL | 64SL | 50SL |
| 22SL | 22SL | 20SL | 22SL | 22SL | 20SL | 68SL | 68SL | 61SL | 24SL | 24SL | 20SL | 23SL | 23SL | 19SL | 70SL | 70SL | 58SL |
| 26SL | 26SL | 23SL | 26SL | 26SL | 23SL | 75SL | 75SL | 67SL | 27SL | 27SL | 22SL | 27SL | 27SL | 22SL | 78SL | 77SL | 64SL |
| 34HL | 32HL | 30HL | 30SL | 30SL | 27SL | 83SL | 83SL | 74SL | 37HL | 37HL | 30HL | 30SL | 30SL | 25SL | 84SL | 84SL | 70SL |
| Clear | Semi-frost narrow | Full frost wide | 34SL | 34SL | 30SL | 90SL | 91SL | 81SL | 48HL | 48HL | 41HL | 35SL | 35SL | 29SL | 93SL | 93SL | 77SL |
| | | | 37SL | 37SL | 33SL | 98SL | 98SL | 88SL | Clear | Semi-frost narrow | Full frost wide | 39SL | 39SL | 32SL | 100SL | 100SL | 83SL |
| | | | 41SL | 41SL | 37SL | 105SL ⁽³⁾ | 106SL | 95SL | | | | 42SL | 42SL | 35SL | 108SL | 108SL | 90SL |
| | | | 46SL | 46SL | 41SL | 130HL ⁽³⁾ | 130HL ⁽³⁾ | 110HL | | | | 47SL | 46SL | 39SL | 116SL | 116SL | 96SL |
| | | | 49SL | 53SL | 44SL | 170HL ⁽³⁾ | 170HL ⁽³⁾ | 150HL | | | | 50SL | 50SL | 41SL | 125SL | 125SL | 104SL |
| | | | 52SL | 56SL | 47SL | Clear | Semi-frost narrow | Full frost wide | | | | 54SL | 54SL | 45SL | 131SL | 130SL | 108SL |
| | | | 56SL | 61SL | 50SL | | | | | | | 58SL | 58SL | 48SL | 130HL | 130HL | 130HL |
| | | | 63SL | 64SL | 56SL | | | | | | | 63SL | 63SL | 52SL | 170HL ⁽³⁾ | 170HL ⁽³⁾ | 170HL ⁽³⁾ |
| | | | 66SL | 50HL | 58SL | | | | | | | 65SL | 65SL | 54SL | 200HL | 200HL | 200HL |
| | | | 52HL | 54HL | 44HL | | | | | | | 77SL | 78SL | 64SL | Clear | Semi-frost narrow | Full frost wide |
| | | | 55HL | 60HL | 48HL | | | | | | | 85SL | 85SL | 70SL | | | |
| | | | 60HL | 74HL | 54HL | | | | | | | 54HL | 54HL | 46HL | | | |
| | | | 76HL | | 65HL | | | | | | | 57HL | 57HL | 48HL | | | |
| | | | Clear | Semi-frost narrow | Full frost wide | | | | | | | 62HL | 62HL | 52HL | | | |
| | | | | | | | | | | | | 68HL | 68HL | 57HL | | | |
| | | | | | | | | | | | | 82HL | 82HL | 69HL | | | |
| | | | | | | | | | | | | 97HL | 97HL | 81HL | | | |
| | | | | | | | | | | | | Clear | Semi-frost narrow | Full frost wide | | | |

SL denotes standard lumen output. HL denotes high lumen output. Additional LEDs to obtain lumen package.
 For comparable lumen packages, HL efficacy is greater than SL efficacy.
 26SL: 2600 delivered lumens, standard lumen output
 170HL: 17000 delivered lumens, high output.

Same notes apply as round (column on left)

Notes: (1) DesignLights Consortium® Qualified and classified for both DLC Standard and DLC Premium, refer to www.designlights.org for details. (2) Nominal lumen values. See table for value and fixture length. (3) DALI and Step-dim versions require two drivers. (4) 4 ft. and 8 ft. only. (5) 347V CD driver is limited to 50W max output before requiring 2 drivers (no 85W 347V solution). (6) 347 SD Driver require qty 2 transformers for Dual switch legs can not offer with EBP due to space requirements for 3 ed transformer for EBP charge circuit. (7) All other drivers at 347V requires single transformer for Driver. If EBP is included, would require second transformer THD an PF affected by transformer (no DLC). (8) 4 ft. and 8 ft. only. (9) Motion Sensor offers dimmability. (10) With integral test switch/indicator/laser test. For approximate delivered lumens multiply the lumens per watt of the desired fixture by the wattage of the emergency battery pack (100 lm/W x 7=700 lumens). IES-format photometry for luminaire under emergency operation available. (11) Used to bypass local control during outage. Must be used in conjunction with UL 1008 device (provided by others). GTR2 and ETR2 options include 2 relays on fixtures with dimming drivers. ETRD option only requires one relay when used on a dimming fixture. Must specify voltage as 120V or 277V when ordering these devices. (12) Most common C&P shown. Must specify location for cord. All "end" locations will be on the end with sensor installed. (13) Consult tech support on numerous options for this feature. (14) Sensors provided in separate externally mounted enclosure. See SRL spec sheet for fully integrated/connected sensors. (15) 4 ft. and 8 ft. only. (16) For a complete listing of Fifth Light products, visit www.cooperlighting.com (17) Black fixture and lens ends. Refer to Finish multiplier table for performance (page 3). (18) Accessories sold separately will be separately analyzed under domestic preference requirements. Consult factory for further information. (19) Only product configurations with this designated prefix are built to be compliant with the Trade Agreements Act of 1979 (TAA). Please refer to DOMESTIC.PREFERENCES website for more information. Components shipped separately may be separately analyzed under domestic preference requirements. (21) Emergency component is UL924 classified. (22) WLSx provided in separate enclosure. (23) Not available in Mid-Row Configuration.

Integrated options must be used in conjunction with the associated system and may not be compatible with other options or accessories. Please refer to the following: (A) Consult WaveLinX system pages for additional details and compatibility. (B) Consult WaveLinX Lite system pages for additional details and compatibility.

Order Information

SAMPLE ORDER NUMBER: **4SNLED-LD5-46SL-LN-UNV-L835-CD1-U**
8TSNLED-LD5-200HL-SLN-UNV-EL7W-L840-CD2-U

| Lens | Voltage | Options | | Color Temp / CCT | |
|--|---|--|--|---|--|
| Round LC=Clear Lens LN=Semi-Frost Lens - Narrow LW=Full Frost Lens - Wide Square SLC=Square / Flat Clear Lens SLN=Square / Flat Semi - Frost Lens - Narrow SLW=Square / Flat Full Frost Lens - Wide | UNV=Universal Voltage 120-277 347=347V ^{(5), (6), (7)} 480=480V ⁽⁴⁾ | Emergency EL7W=7-watt, 120V-277V emergency battery pack installed ^{(8), (10), (21)} EL14W=14-watt 120V-277V emergency battery pack installed ^{(8), (10), (21)} GTR2=Bodine Generator Transfer Relay ⁽¹¹⁾ ETRD=Iota Emergency Transfer Relay with dimming control ^{(11), (21)} | Wiring PI/CPI=Plug in and cross over plug in options ⁽¹³⁾ PC6/515P=(NEMA 5-15P) 6 ft. Cord with NEMA Straight Plug ^{(12), (13)} PC6/L715=(NEMA L7-15P) 6 ft. Cord with NEMA Twist Plug ^{(12), (13)} | Motion Sensors ⁽¹⁴⁾ LB-ERMS360=360° Low Bay Motion Sensor - End of Row, 8' Mounting LB-MRMS360=360° Low Bay Motion Sensor - Middle of Row, 8' Mounting HB-ERMS360=360° High Bay Motion Sensor - End of Row, 15-40' Mounting ⁽⁹⁾ HB-MRMS360=360° High Bay Motion Sensor - Middle of Row, 15-40' Mounting ⁽⁹⁾ WLS (formerly WAB)=WaveLinX LITE Wireless Sensor, Occupancy w/ photocell, Independent & Networked ⁽⁸⁾ WPS (formerly WAA)=WaveLinX PRO Wireless Sensor, Occupancy w/ photocell, Networked ⁽⁸⁾ WLS4=WaveLinX LITE, Dimming Motion and Daylight, Bluetooth Programmable, 15' - 40' Mounting ^{(22), (23), (8)} WPS4=WaveLinX PRO, Dimming Motion and Daylight, WAC Programmable, 15' - 40' Mounting ⁽⁸⁾ ZW-SWPD3=Integrated Wavelinx Wireless Sensor, 1200 sqft. coverage ^{(22), (23), (8)} | CCT/CRI L830=3000K, 80 CRI L835=3500K, 80 CRI L840=4000K, 80 CRI L850=5000K, 80 CRI L930=3000K, 90 CRI L935=3500K, 90 CRI L940=4000K, 90 CRI L950=5000K, 90 CRI |

| Drive Type | No.of Drivers | Paint Finish | Packaging | Accessories (Order Separately) ⁽¹⁸⁾ | | |
|--|---------------------------|---|-------------|--|---|--|
| CD=0-10V Dimming Driver (10%-100% Dimming) HCD=0-10V Dimming Driver (1%-100% Dimming) SD=Step-dim (Bi Level) ⁽¹⁵⁾ SLTD=5th Light (DALI) Driver ^{(15), (16)} | 1=1 Driver 2=2 Drivers | [blank]=Standard White BLK=PAF Black ⁽¹⁷⁾ | U=Unit Pack | AYC=Chain/Set=36" Chain Hanger (Use 1 set per fixture) SCF=Fixed Stem Set (Specify Length) SCS=Swivel Stem Set (Specify Length) SCA=Adjustable 48" Stem Set EYE-CHAIN/SET-B=Eye Bolt Chain (Use 1 set per fixture) WG-SNX/SN-2FT-B-PK=2ft Wire Guard WG-SNX/SN-4FT-B=4ft Wire Guard A1B/Spacer-U=Spacer 1-1/2" to 2-1/2" from ceiling (Use 2 per fixture) TOGGLE=Single Toggle No. 2 (Specify Length) Y-TOGGLE-___2PK=(2) Y-Toggle Cable Kits (Specify 10 or 30 for length in feet) GRP-SNF-U=Gripper Hanger CLC-SNLED-EXT-B=SNLED Long Row Aligner Extension | Round Replacement Lenses SNLED-LENS-LW-2FT-U= Replacement Lens 2 ft, Full Frost SNLED-LENS-LN-2FT-U= Replacement Lens 2 ft, Semi Frost SNLED-LENS-LC-2FT-U= Replacement Lens 2 ft, Clear SNLED-LENS-LW-4FT-U= Replacement Lens 4 ft, Full Frost SNLED-LENS-LN-4FT-U= Replacement Lens 4 ft, Semi Frost SNLED-LENS-LC-4FT-U= Replacement Lens 4 ft, Clear | Square Replacement Lenses SNLED-SQLENS-SLW-2FT-U= Replacement Lens 2 ft, Full Frost SNLED-SQLENS-SLN-2FT-U= Replacement Lens 2 ft, Semi Frost SNLED-SQLENS-SLC-2FT-U= Replacement Lens 2 ft, Clear SNLED-SQLENS-SLW-4FT-U= Replacement Lens 4 ft, Full Frost SNLED-SQLENS-SLN-4FT-U= Replacement Lens 4 ft, Semi Frost SNLED-SQLENS-SLC-4FT-U= Replacement Lens 4 ft, Clear |

Notes: (1) DesignLights Consortium® Qualified and classified for both DLC Standard and DLC Premium, refer to www.designlights.org for details. (2) Nominal lumen values. See table for value and fixture length. (3) DALI and Step-dim versions require two drivers. (4) 4 ft. and 8 ft. only. (5) 347V CD driver is limited to 50W max output before requiring 2 drivers (no 85W 347V solution). (6) 347 SD Driver require qty 2 transformers for Dual switch legs can not offer with EBP due to space requirements for 3 ed transformer for EBP charge circuit. (7) All other drivers at 347V requires single transformer for Driver. If EBP is included, would require second transformer THD an PF affected by transformer (no DLC). (8) 4 ft. and 8 ft. only. (9) Motion Sensor offers dimmability. (10) With integral test switch/indicator/laser test. For approximate delivered lumens multiply the lumens per watt of the desired fixture by the wattage of the emergency battery pack (100 lm/W x 7=700 lumens). IES-format photometry for luminaire under emergency operation available. (11) Used to bypass local control during outage. Must be used in conjunction with UL 1008 device (provided by others). GTR2 and ETR2 options include 2 relays on fixtures with dimming drivers. ETRD option only requires one relay when used on a dimming fixture. Must specify voltage as 120V or 277V when ordering these devices. (12) Most common C&P shown. Must specify location for cord. All "end" locations will be on the end with sensor installed. (13) Consult tech support on numerous options for this feature. (14) Sensors provided in separate externally mounted enclosure. See SRL spec sheet for fully integrated/connected sensors. (15) 4 ft. and 8 ft. only. (16) For a complete listing of Fifth Light products, visit www.cooperlighting.com (17) Black fixture and lens ends. Refer to Finish multiplier table for performance (page 3). (18) Accessories sold separately will be separately analyzed under domestic preference requirements. Consult factory for further information. (19) Only product configurations with this designated prefix are built to be compliant with the Trade Agreements Act of 1979 (TAA). Please refer to [DOMESTIC.PREFERENCES](#) website for more information. Components shipped separately may be separately analyzed under domestic preference requirements. (20) WaveLinX Lite devices are not currently compatible with the WaveLinX Pro Wireless Area Controller. (21) Emergency component is UL924 classified.

Product Specifications

Construction

- Die-formed of cold rolled steel with numerous knockouts for easy installation
- Groove for Tong Hanger
- Convertible end plate for continuous row alignment
- Channel/wireway cover secured with sheet metal screws
- Surface, pendant or stem mounting

Controls

- Standard with 0-10V dimming driver (10% standard, 1% optional)
- Integrated WaveLinX sensor options provide wireless individual fixture control and enable code compliance, increased energy savings, grouping of fixtures, and connection to WaveLinX control systems
- DALI 2.0 and step-dimming available
- For motion control, reference sensor locations for both end and middle of the row applications

Electrical

- Long-life LED system with electrical driver for optimal performance
- LED's available in 3000K, 3500K, 4000K or 5000K with CRI of 80 standard or optional 90 CRI
- TM21 rating of L87>60,000 hours
- Electronic drivers available for 120-277V, 347V and 480 applications
- Operating temperatures of -20°C up to 50°C (refer to ambient temperature chart)

Emergency Battery Pack Option

- Optional 120V-277V integral emergency battery pack available in 7W or 14W
- 90-minute backup period for code compliance
- Generator transfer options available

Finish

- Multi-stage, iron phosphate pretreatment
- Highly reflective paint after fabrication
- Standard baked white enamel finish

Shielding

- Three round lensed optical distributions available: Clear with linear ribs (LC), semi-frost for narrow distribution (LN) and full frost for wide distribution (LW)
- Three square lensed optical distributions available: clear with linear ribs (SLC), semi-frost for narrow distribution (SLN) and full frost for wide distribution (SLW)

Compliance

- cULus Listed for damp locations
- State of California Title 24 high efficacy luminaire
- DesignLights Consortium® Qualified and classified for DLC Standard and DLC Premium (refer to www.designlights.org)
- Suitable for closet use when installed to NEC 410.16 spacings standards

Warranty

- Five year limited warranty

WaveLinX LITE devices are not currently compatible with the WaveLinX PRO Wireless Area Controller

Photometric Data

View IES files

Energy and Performance Data

CCT Table

| Approximate Color Temperature | Multiplier |
|-------------------------------|------------|
| 2700K | .93 |
| 3000K | .98 |
| 3500K | 1.0 |
| 4000K | 1.02 |
| 5000K | 1.02 |

CRI

| Lumen multiplier (80CRI to 90CRI) | | | |
|-----------------------------------|-------|-------|-------|
| 3000K | 3500K | 4000K | 5000K |
| 0.805 | 0.840 | 0.846 | 0.901 |

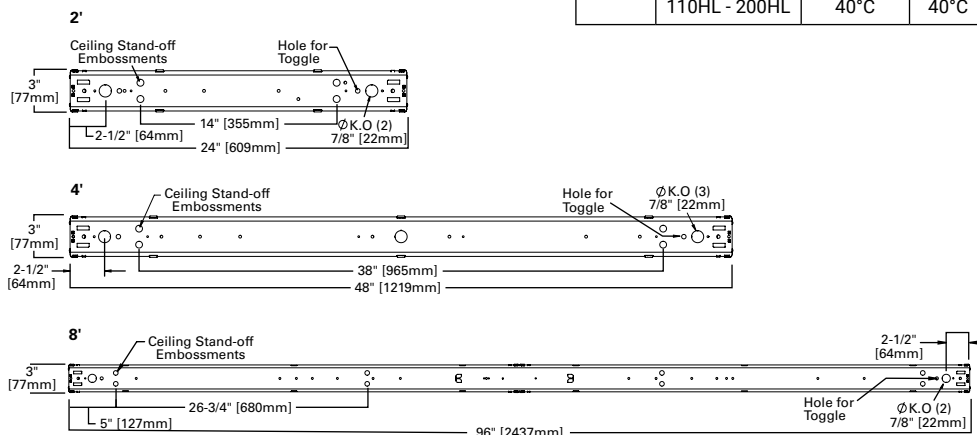
Shipping Data

| Length | Wt. |
|--------|-----------|
| 2 ft. | 4.3 lbs. |
| 4 ft. | 8.2 lbs. |
| 8 ft. | 15.1 lbs. |

Ambient Temperature

| Length | Lumen Package | Standard | EM |
|--------|---------------|----------|------|
| 2FT | 16SL - 27SL | 50°C | 40°C |
| | 30HL - 48HL | 40°C | 40°C |
| 4FT | 15SL - 54SL | 50°C | 40°C |
| | 56SL - 97HL | 40°C | 40°C |
| 8FT | 50SL - 108SL | 50°C | 40°C |
| | 110HL - 200HL | 40°C | 40°C |

Dimensional and Mounting Details



Control Solutions

- WaveLinX LITE wireless
- WaveLinX PRO wireless
- WaveLinX CAT wired
- WaveLinX Wired



Energy and Performance Data

Wattage: Round Clear Lens

| SNLED Type | Lumen Type | Length | Catalog Number** | Nominal 3500K Lumens | Wattage | lm/W |
|-----------------|------------|--------|-------------------------------------|----------------------|---------|-------|
| Clear Lens (LC) | Standard | 2 ft. | 2SNLED-LD5-18SL-LC-UNV-L8XX-CD1-U | 1960 | 14 | 137.4 |
| Clear Lens (LC) | Standard | 2 ft. | 2SNLED-LD5-22SL-LC-UNV-L8XX-CD1-U | 2420 | 18 | 133.7 |
| Clear Lens (LC) | Standard | 2 ft. | 2SNLED-LD5-26SL-LC-UNV-L8XX-CD1-U | 2747 | 21 | 131.1 |
| Clear Lens (LC) | High | 2 ft. | 2SNLED-LD5-34HL-LC-UNV-L8XX-CD1-U | 3487 | 27 | 131.2 |
| Clear Lens (LC) | Standard | 4 ft. | 4SNLED-LD5-18SL-LC-UNV-L8XX-CD1-U | 1890 | 13 | 145.0 |
| Clear Lens (LC) | Standard | 4 ft. | 4SNLED-LD5-22SL-LC-UNV-L8XX-CD1-U | 2344 | 16 | 146.4 |
| Clear Lens (LC) | Standard | 4 ft. | 4SNLED-LD5-26SL-LC-UNV-L8XX-CD1-U | 2699 | 18 | 146.3 |
| Clear Lens (LC) | Standard | 4 ft. | 4SNLED-LD5-30SL-LC-UNV-L8XX-CD1-U | 3077 | 21 | 145.4 |
| Clear Lens (LC) | Standard | 4 ft. | 4SNLED-LD5-34SL-LC-UNV-L8XX-CD1-U | 3567 | 25 | 143.3 |
| Clear Lens (LC) | Standard | 4 ft. | 4SNLED-LD5-37SL-LC-UNV-L8XX-CD1-U | 3924 | 28 | 141.6 |
| Clear Lens (LC) | Standard | 4 ft. | 4SNLED-LD5-41SL-LC-UNV-L8XX-CD1-U | 4269 | 31 | 139.6 |
| Clear Lens (LC) | Standard | 4 ft. | 4SNLED-LD5-46SL-LC-UNV-L8XX-CD1-U | 4718 | 35 | 136.8 |
| Clear Lens (LC) | Standard | 4 ft. | 4SNLED-LD5-49SL-LC-UNV-L8XX-CD1-U | 5051 | 38 | 134.4 |
| Clear Lens (LC) | Standard | 4 ft. | 4SNLED-LD5-52SL-LC-UNV-L8XX-CD1-U | 5478 | 41 | 133.3 |
| Clear Lens (LC) | Standard | 4 ft. | 4SNLED-LD5-56SL-LC-UNV-L8XX-CD1-U | 5880 | 46 | 127.4 |
| Clear Lens (LC) | Standard | 4 ft. | 4SNLED-LD5-63SL-LC-UNV-L8XX-CD1-U | 6358 | 52 | 123.1 |
| Clear Lens (LC) | Standard | 4 ft. | 4SNLED-LD5-66SL-LC-UNV-L8XX-CD1-U | 6628 | 55 | 120.2 |
| Clear Lens (LC) | High | 4 ft. | 4SNLED-LD5-52HL-LC-UNV-L8XX-CD1-U | 5171 | 37 | 139.5 |
| Clear Lens (LC) | High | 4 ft. | 4SNLED-LD5-55HL-LC-UNV-L8XX-CD1-U | 5409 | 39 | 138.5 |
| Clear Lens (LC) | High | 4 ft. | 4SNLED-LD5-60HL-LC-UNV-L8XX-CD1-U | 5893 | 43 | 136.7 |
| Clear Lens (LC) | High | 4 ft. | 4SNLED-LD5-76HL-LC-UNV-L8XX-CD1-U | 7774 | 62 | 125.1 |
| Clear Lens (LC) | Standard | 8 ft. | 8TSNLED-LD5-60SL-LC-UNV-L8XX-CD1-U | 6154 | 42 | 145.4 |
| Clear Lens (LC) | Standard | 8 ft. | 8TSNLED-LD5-68SL-LC-UNV-L8XX-CD1-U | 7134 | 50 | 143.3 |
| Clear Lens (LC) | Standard | 8 ft. | 8TSNLED-LD5-75SL-LC-UNV-L8XX-CD1-U | 7847 | 55 | 141.6 |
| Clear Lens (LC) | Standard | 8 ft. | 8TSNLED-LD5-83SL-LC-UNV-L8XX-CD1-U | 8537 | 61 | 139.6 |
| Clear Lens (LC) | Standard | 8 ft. | 8TSNLED-LD5-90SL-LC-UNV-L8XX-CD1-U | 9437 | 69 | 136.8 |
| Clear Lens (LC) | Standard | 8 ft. | 8TSNLED-LD5-98SL-LC-UNV-L8XX-CD1-U | 10101 | 75 | 134.4 |
| Clear Lens (LC) | Standard | 8 ft. | 8TSNLED-LD5-105SL-LC-UNV-L8XX-CD1-U | 10956 | 82 | 133.3 |
| Clear Lens (LC) | High | 8 ft. | 8TSNLED-LD5-130HL-LC-UNV-L8XX-CD2-U | 11786 | 86 | 136.7 |
| Clear Lens (LC) | High | 8 ft. | 8TSNLED-LD5-170HL-LC-UNV-L8XX-CD2-U | 15549 | 124 | 125.1 |

* Consult factory for stock availability. ** Lumen portion of catalog number may not match actual lumens.

Energy and Performance Data

Wattage: Round Semi-frost Lens, Narrow

| SNELD Type | Lumen Type | Length | Catalog Number** | Nominal 3500K Lumens | Wattage | lm/W |
|----------------------|------------|--------|-------------------------------------|----------------------|---------|-------|
| Semi-Frost Lens (LN) | Standard | 2 ft. | 2SNLED-LD5-18SL-LN-UNV-L8XX-CD1-U | 1903 | 14 | 133.4 |
| Semi-Frost Lens (LN) | Standard | 2 ft. | 2SNLED-LD5-22SL-LN-UNV-L8XX-CD1-U | 2350 | 18 | 129.8 |
| Semi-Frost Lens (LN) | Standard | 2 ft. | 2SNLED-LD5-26SL-LN-UNV-L8XX-CD1-U | 2667 | 21 | 127.3 |
| Semi-Frost Lens (LN) | High | 2 ft. | 2SNLED-LD5-32HL-LN-UNV-L8XX-CD1-U | 3385 | 27 | 127.4 |
| Semi-Frost Lens (LN) | Standard | 4 ft. | 4SNLED-LD5-18SL-LN-UNV-L8XX-CD1-U | 1835 | 13 | 140.8 |
| Semi-Frost Lens (LN) | Standard | 4 ft. | 4SNLED-LD5-22SL-LN-UNV-L8XX-CD1-U | 2276 | 16 | 142.2 |
| Semi-Frost Lens (LN) | Standard | 4 ft. | 4SNLED-LD5-26SL-LN-UNV-L8XX-CD1-U | 2620 | 18 | 142.0 |
| Semi-Frost Lens (LN) | Standard | 4 ft. | 4SNLED-LD5-30SL-LN-UNV-L8XX-CD1-U | 2987 | 21 | 141.2 |
| Semi-Frost Lens (LN) | Standard | 4 ft. | 4SNLED-LD5-34SL-LN-UNV-L8XX-CD1-U | 3463 | 25 | 139.2 |
| Semi-Frost Lens (LN) | Standard | 4 ft. | 4SNLED-LD5-37SL-LN-UNV-L8XX-CD1-U | 3809 | 28 | 137.5 |
| Semi-Frost Lens (LN) | Standard | 4 ft. | 4SNLED-LD5-41SL-LN-UNV-L8XX-CD1-U | 4144 | 31 | 135.6 |
| Semi-Frost Lens (LN) | Standard | 4 ft. | 4SNLED-LD5-46SL-LN-UNV-L8XX-CD1-U | 4581 | 35 | 132.8 |
| Semi-Frost Lens (LN) | Standard | 4 ft. | 4SNLED-LD5-49SL-LN-UNV-L8XX-CD1-U | 4903 | 38 | 130.4 |
| Semi-Frost Lens (LN) | Standard | 4 ft. | 4SNLED-LD5-53SL-LN-UNV-L8XX-CD1-U | 5318 | 41 | 129.4 |
| Semi-Frost Lens (LN) | Standard | 4 ft. | 4SNLED-LD5-56SL-LN-UNV-L8XX-CD1-U | 5708 | 46 | 123.7 |
| Semi-Frost Lens (LN) | Standard | 4 ft. | 4SNLED-LD5-61SL-LN-UNV-L8XX-CD1-U | 6172 | 52 | 119.5 |
| Semi-Frost Lens (LN) | Standard | 4 ft. | 4SNLED-LD5-64SL-LN-UNV-L8XX-CD1-U | 6435 | 55 | 116.7 |
| Semi-Frost Lens (LN) | High | 4 ft. | 4SNLED-LD5-50HL-LN-UNV-L8XX-CD1-U | 5020 | 37 | 135.4 |
| Semi-Frost Lens (LN) | High | 4 ft. | 4SNLED-LD5-54HL-LN-UNV-L8XX-CD1-U | 5252 | 39 | 134.5 |
| Semi-Frost Lens (LN) | High | 4 ft. | 4SNLED-LD5-60HL-LN-UNV-L8XX-CD1-U | 5721 | 43 | 132.7 |
| Semi-Frost Lens (LN) | High | 4 ft. | 4SNLED-LD5-74HL-LN-UNV-L8XX-CD1-U | 7548 | 62 | 121.5 |
| Semi-Frost Lens (LN) | Standard | 8 ft. | 8TSNLED-LD5-60SL-LN-UNV-L8XX-CD1-U | 5975 | 42 | 141.2 |
| Semi-Frost Lens (LN) | Standard | 8 ft. | 8TSNLED-LD5-68SL-LN-UNV-L8XX-CD1-U | 6926 | 50 | 139.2 |
| Semi-Frost Lens (LN) | Standard | 8 ft. | 8TSNLED-LD5-75SL-LN-UNV-L8XX-CD1-U | 7619 | 55 | 137.5 |
| Semi-Frost Lens (LN) | Standard | 8 ft. | 8TSNLED-LD5-83SL-LN-UNV-L8XX-CD1-U | 8289 | 61 | 135.6 |
| Semi-Frost Lens (LN) | Standard | 8 ft. | 8TSNLED-LD5-91SL-LN-UNV-L8XX-CD1-U | 9162 | 69 | 132.8 |
| Semi-Frost Lens (LN) | Standard | 8 ft. | 8TSNLED-LD5-98SL-LN-UNV-L8XX-CD1-U | 9807 | 75 | 130.4 |
| Semi-Frost Lens (LN) | Standard | 8 ft. | 8TSNLED-LD5-106SL-LN-UNV-L8XX-CD1-U | 10636 | 82 | 129.4 |
| Semi-Frost Lens (LN) | High | 8 ft. | 8TSNLED-LD5-130HL-LN-UNV-L8XX-CD2-U | 11442 | 86 | 132.7 |
| Semi-Frost Lens (LN) | High | 8 ft. | 8TSNLED-LD5-170HL-LN-UNV-L8XX-CD2-U | 15095 | 124 | 121.5 |

* Consult factory for stock availability. ** Lumen portion of catalog number may not match actual lumens.

Energy and Performance Data

Wattage: Round Full-frost Lens, Wide

| SNLED Type | Lumen Type | Length | Catalog Number** | Nominal 3500K Lumens | Wattage | lm/W |
|----------------------|------------|--------|-------------------------------------|----------------------|---------|-------|
| Full Frost Lens (LW) | Standard | 2 ft. | 2SNLED-LD5-16SL-LW-UNV-L8XX-CD1-U | 1750 | 14 | 122.7 |
| Full Frost Lens (LW) | Standard | 2 ft. | 2SNLED-LD5-20SL-LW-UNV-L8XX-CD1-U | 2162 | 18 | 119.4 |
| Full Frost Lens (LW) | Standard | 2 ft. | 2SNLED-LD5-23SL-LW-UNV-L8XX-CD1-U | 2453 | 21 | 117.1 |
| Full Frost Lens (LW) | High | 2 ft. | 2SNLED-LD5-30HL-LW-UNV-L8XX-CD1-U | 2975 | 27 | 112.0 |
| Full Frost Lens (LW) | Standard | 4 ft. | 4SNLED-LD5-16SL-LW-UNV-L8XX-CD1-U | 1688 | 13 | 129.5 |
| Full Frost Lens (LW) | Standard | 4 ft. | 4SNLED-LD5-20SL-LW-UNV-L8XX-CD1-U | 2093 | 16 | 130.8 |
| Full Frost Lens (LW) | Standard | 4 ft. | 4SNLED-LD5-23SL-LW-UNV-L8XX-CD1-U | 2410 | 18 | 130.7 |
| Full Frost Lens (LW) | Standard | 4 ft. | 4SNLED-LD5-27SL-LW-UNV-L8XX-CD1-U | 2748 | 21 | 129.8 |
| Full Frost Lens (LW) | Standard | 4 ft. | 4SNLED-LD5-30SL-LW-UNV-L8XX-CD1-U | 3186 | 25 | 128.0 |
| Full Frost Lens (LW) | Standard | 4 ft. | 4SNLED-LD5-33SL-LW-UNV-L8XX-CD1-U | 3504 | 28 | 126.5 |
| Full Frost Lens (LW) | Standard | 4 ft. | 4SNLED-LD5-37SL-LW-UNV-L8XX-CD1-U | 3812 | 31 | 124.7 |
| Full Frost Lens (LW) | Standard | 4 ft. | 4SNLED-LD5-41SL-LW-UNV-L8XX-CD1-U | 4214 | 35 | 122.1 |
| Full Frost Lens (LW) | Standard | 4 ft. | 4SNLED-LD5-44SL-LW-UNV-L8XX-CD1-U | 4511 | 38 | 120.0 |
| Full Frost Lens (LW) | Standard | 4 ft. | 4SNLED-LD5-47SL-LW-UNV-L8XX-CD1-U | 4892 | 41 | 119.1 |
| Full Frost Lens (LW) | Standard | 4 ft. | 4SNLED-LD5-50SL-LW-UNV-L8XX-CD1-U | 5251 | 46 | 113.8 |
| Full Frost Lens (LW) | Standard | 4 ft. | 4SNLED-LD5-56SL-LW-UNV-L8XX-CD1-U | 5678 | 52 | 109.9 |
| Full Frost Lens (LW) | Standard | 4 ft. | 4SNLED-LD5-58SL-LW-UNV-L8XX-CD1-U | 5920 | 55 | 107.3 |
| Full Frost Lens (LW) | High | 4 ft. | 4SNLED-LD5-44HL-LW-UNV-L8XX-CD1-U | 4412 | 37 | 119.0 |
| Full Frost Lens (LW) | High | 4 ft. | 4SNLED-LD5-48HL-LW-UNV-L8XX-CD1-U | 4615 | 39 | 118.2 |
| Full Frost Lens (LW) | High | 4 ft. | 4SNLED-LD5-54HL-LW-UNV-L8XX-CD1-U | 5028 | 43 | 116.6 |
| Full Frost Lens (LW) | High | 4 ft. | 4SNLED-LD5-65HL-LW-UNV-L8XX-CD1-U | 6633 | 62 | 106.7 |
| Full Frost Lens (LW) | Standard | 8 ft. | 8TSNLED-LD5-54SL-LW-UNV-L8XX-CD1-U | 5496 | 42 | 129.8 |
| Full Frost Lens (LW) | Standard | 8 ft. | 8TSNLED-LD5-61SL-LW-UNV-L8XX-CD1-U | 6371 | 50 | 128.0 |
| Full Frost Lens (LW) | Standard | 8 ft. | 8TSNLED-LD5-67SL-LW-UNV-L8XX-CD1-U | 6371 | 50 | 128.0 |
| Full Frost Lens (LW) | Standard | 8 ft. | 8TSNLED-LD5-74SL-LW-UNV-L8XX-CD1-U | 7625 | 61 | 124.7 |
| Full Frost Lens (LW) | Standard | 8 ft. | 8TSNLED-LD5-81SL-LW-UNV-L8XX-CD1-U | 8428 | 69 | 122.1 |
| Full Frost Lens (LW) | Standard | 8 ft. | 8TSNLED-LD5-88SL-LW-UNV-L8XX-CD1-U | 9022 | 75 | 120.0 |
| Full Frost Lens (LW) | Standard | 8 ft. | 8TSNLED-LD5-95SL-LW-UNV-L8XX-CD1-U | 9785 | 82 | 119.1 |
| Full Frost Lens (LW) | High | 8 ft. | 8TSNLED-LD5-110HL-LW-UNV-L8XX-CD1-U | 11356 | 103 | 109.9 |
| Full Frost Lens (LW) | High | 8 ft. | 8TSNLED-LD5-150HL-LW-UNV-L8XX-CD2-U | 15739 | 158 | 99.5 |

* Consult factory for stock availability. ** Lumen portion of catalog number may not match actual lumens.

Energy and Performance Data

Wattage: Square Flat Clear Lens

| SNLED Type | Lumen Type | Length | Catalog Number** | Nominal 3500K Lumens | Wattage | lm/W |
|-----------------------|------------|--------|--------------------------------------|----------------------|---------|-------|
| Flat Clear Lens (SLC) | Standard | 2 ft. | 2SNLED-LD5-19SL-SLC-UNV-L8XX-CD1-U | 1936 | 14 | 135.7 |
| Flat Clear Lens (SLC) | Standard | 2 ft. | 2SNLED-LD5-24SL-SLC-UNV-L8XX-CD1-U | 2391 | 18 | 132.1 |
| Flat Clear Lens (SLC) | Standard | 2 ft. | 2SNLED-LD5-27SL-SLC-UNV-L8XX-CD1-U | 2714 | 21 | 129.5 |
| Flat Clear Lens (SLC) | High | 2 ft. | 2SNLED-LD5-37HL-SLC-UNV-L8XX-CD1-U | 3669 | 27 | 138.1 |
| Flat Clear Lens (SLC) | High | 2 ft. | 2SNLED-LD5-48HL-SLC-UNV-L8XX-CD1-U | 4830 | 36 | 134.5 |
| Flat Clear Lens (SLC) | Standard | 4 ft. | 4SNLED-LD5-19SL-SLC-UNV-L8XX-CD1-U | 1868 | 13 | 143.3 |
| Flat Clear Lens (SLC) | Standard | 4 ft. | 4SNLED-LD5-23SL-SLC-UNV-L8XX-CD1-U | 2316 | 16 | 144.7 |
| Flat Clear Lens (SLC) | Standard | 4 ft. | 4SNLED-LD5-27SL-SLC-UNV-L8XX-CD1-U | 2666 | 18 | 144.5 |
| Flat Clear Lens (SLC) | Standard | 4 ft. | 4SNLED-LD5-30SL-SLC-UNV-L8XX-CD1-U | 3040 | 21 | 143.6 |
| Flat Clear Lens (SLC) | Standard | 4 ft. | 4SNLED-LD5-35SL-SLC-UNV-L8XX-CD1-U | 3524 | 25 | 141.6 |
| Flat Clear Lens (SLC) | Standard | 4 ft. | 4SNLED-LD5-39SL-SLC-UNV-L8XX-CD1-U | 3876 | 28 | 139.9 |
| Flat Clear Lens (SLC) | Standard | 4 ft. | 4SNLED-LD5-42SL-SLC-UNV-L8XX-CD1-U | 4217 | 31 | 138.0 |
| Flat Clear Lens (SLC) | Standard | 4 ft. | 4SNLED-LD5-47SL-SLC-UNV-L8XX-CD1-U | 4662 | 35 | 135.1 |
| Flat Clear Lens (SLC) | Standard | 4 ft. | 4SNLED-LD5-50SL-SLC-UNV-L8XX-CD1-U | 4990 | 38 | 132.7 |
| Flat Clear Lens (SLC) | Standard | 4 ft. | 4SNLED-LD5-54SL-SLC-UNV-L8XX-CD1-U | 5412 | 41 | 131.7 |
| Flat Clear Lens (SLC) | Standard | 4 ft. | 4SNLED-LD5-58SL-SLC-UNV-L8XX-CD1-U | 5809 | 46 | 125.9 |
| Flat Clear Lens (SLC) | Standard | 4 ft. | 4SNLED-LD5-63SL-SLC-UNV-L8XX-CD1-U | 6281 | 52 | 121.6 |
| Flat Clear Lens (SLC) | Standard | 4 ft. | 4SNLED-LD5-65SL-SLC-UNV-L8XX-CD1-U | 6549 | 55 | 118.7 |
| Flat Clear Lens (SLC) | Standard | 4 ft. | 4SNLED-LD5-77SL-SLC-UNV-L8XX-CD1-U | 7697 | 70 | 110.0 |
| Flat Clear Lens (SLC) | Standard | 4 ft. | 4SNLED-LD5-85SL-SLC-UNV-L8XX-CD1-U | 8490 | 85 | 100.4 |
| Flat Clear Lens (SLC) | High | 4 ft. | 4SNLED-LD5-54HL-SLC-UNV-L8XX-CD1-U | 5441 | 37 | 146.8 |
| Flat Clear Lens (SLC) | High | 4 ft. | 4SNLED-LD5-57HL-SLC-UNV-L8XX-CD1-U | 5692 | 39 | 145.7 |
| Flat Clear Lens (SLC) | High | 4 ft. | 4SNLED-LD5-62HL-SLC-UNV-L8XX-CD1-U | 6201 | 43 | 143.8 |
| Flat Clear Lens (SLC) | High | 4 ft. | 4SNLED-LD5-68HL-SLC-UNV-L8XX-CD1-U | 6795 | 48 | 140.8 |
| Flat Clear Lens (SLC) | High | 4 ft. | 4SNLED-LD5-82HL-SLC-UNV-L8XX-CD1-U | 8181 | 62 | 131.7 |
| Flat Clear Lens (SLC) | High | 4 ft. | 4SNLED-LD5-97HL-SLC-UNV-L8XX-CD1-U | 9705 | 79 | 122.7 |
| Flat Clear Lens (SLC) | Standard | 8 ft. | 8TSNLED-LD5-60SL-SLC-UNV-L8XX-CD1-U | 6080 | 42 | 143.6 |
| Flat Clear Lens (SLC) | Standard | 8 ft. | 8TSNLED-LD5-70SL-SLC-UNV-L8XX-CD1-U | 7048 | 50 | 141.6 |
| Flat Clear Lens (SLC) | Standard | 8 ft. | 8TSNLED-LD5-78SL-SLC-UNV-L8XX-CD1-U | 7753 | 50 | 139.9 |
| Flat Clear Lens (SLC) | Standard | 8 ft. | 8TSNLED-LD5-84SL-SLC-UNV-L8XX-CD1-U | 8435 | 61 | 138.0 |
| Flat Clear Lens (SLC) | Standard | 8 ft. | 8TSNLED-LD5-93SL-SLC-UNV-L8XX-CD1-U | 9323 | 69 | 135.1 |
| Flat Clear Lens (SLC) | Standard | 8 ft. | 8TSNLED-LD5-100SL-SLC-UNV-L8XX-CD1-U | 9980 | 75 | 132.7 |
| Flat Clear Lens (SLC) | Standard | 8 ft. | 8TSNLED-LD5-108SL-SLC-UNV-L8XX-CD1-U | 10824 | 82 | 131.7 |
| Flat Clear Lens (SLC) | Standard | 8 ft. | 8TSNLED-LD5-116SL-SLC-UNV-L8XX-CD1-U | 11618 | 61 | 125.9 |
| Flat Clear Lens (SLC) | Standard | 8 ft. | 8TSNLED-LD5-125SL-SLC-UNV-L8XX-CD2-U | 12562 | 69 | 121.6 |
| Flat Clear Lens (SLC) | Standard | 8 ft. | 8TSNLED-LD5-131SL-SLC-UNV-L8XX-CD2-U | 13097 | 75 | 118.7 |
| Flat Clear Lens (SLC) | High | 8 ft. | 8TSNLED-LD5-130HL-SLC-UNV-L8XX-CD2-U | 12402 | 82 | 143.8 |
| Flat Clear Lens (SLC) | High | 8 ft. | 8TSNLED-LD5-170HL-SLC-UNV-L8XX-CD2-U | 16361 | 103 | 131.7 |
| Flat Clear Lens (SLC) | High | 8 ft. | 8TSNLED-LD5-200HL-SLC-UNV-L8XX-CD2-U | 19411 | 158 | 122.7 |

* Consult factory for stock availability. ** Lumen portion of catalog number may not match actual lumens.

Energy and Performance Data

Wattage: Square Flat Semi-frost Lens, Narrow

| SNLED Type | Lumen Type | Length | Catalog Number** | Nominal 3500K Lumens | Wattage | lm/W |
|----------------------------|------------|--------|--------------------------------------|----------------------|---------|-------|
| Flat Semi-frost Lens (SLN) | Standard | 2 ft. | 2SNLED-LD5-19SL-SLN-UNV-L8XX-CD1-U | 1931 | 14 | 135.3 |
| Flat Semi-frost Lens (SLN) | Standard | 2 ft. | 2SNLED-LD5-24SL-SLN-UNV-L8XX-CD1-U | 2385 | 18 | 131.7 |
| Flat Semi-frost Lens (SLN) | Standard | 2 ft. | 2SNLED-LD5-27SL-SLN-UNV-L8XX-CD1-U | 2706 | 21 | 129.1 |
| Flat Semi-frost Lens (SLN) | High | 2 ft. | 2SNLED-LD5-37HL-SLN-UNV-L8XX-CD1-U | 3659 | 27 | 137.7 |
| Flat Semi-frost Lens (SLN) | High | 2 ft. | 2SNLED-LD5-48HL-SLN-UNV-L8XX-CD1-U | 4816 | 36 | 134.2 |
| Flat Semi-frost Lens (SLN) | Standard | 4 ft. | 4SNLED-LD5-19SL-SLN-UNV-L8XX-CD1-U | 1863 | 13 | 142.9 |
| Flat Semi-frost Lens (SLN) | Standard | 4 ft. | 4SNLED-LD5-23SL-SLN-UNV-L8XX-CD1-U | 2309 | 16 | 144.3 |
| Flat Semi-frost Lens (SLN) | Standard | 4 ft. | 4SNLED-LD5-27SL-SLN-UNV-L8XX-CD1-U | 2659 | 18 | 144.1 |
| Flat Semi-frost Lens (SLN) | Standard | 4 ft. | 4SNLED-LD5-30SL-SLN-UNV-L8XX-CD1-U | 3032 | 21 | 143.2 |
| Flat Semi-frost Lens (SLN) | Standard | 4 ft. | 4SNLED-LD5-35SL-SLN-UNV-L8XX-CD1-U | 3514 | 25 | 141.2 |
| Flat Semi-frost Lens (SLN) | Standard | 4 ft. | 4SNLED-LD5-39SL-SLN-UNV-L8XX-CD1-U | 3866 | 28 | 139.5 |
| Flat Semi-frost Lens (SLN) | Standard | 4 ft. | 4SNLED-LD5-42SL-SLN-UNV-L8XX-CD1-U | 4206 | 31 | 137.6 |
| Flat Semi-frost Lens (SLN) | Standard | 4 ft. | 4SNLED-LD5-46SL-SLN-UNV-L8XX-CD1-U | 4649 | 35 | 134.7 |
| Flat Semi-frost Lens (SLN) | Standard | 4 ft. | 4SNLED-LD5-50SL-SLN-UNV-L8XX-CD1-U | 4976 | 38 | 132.4 |
| Flat Semi-frost Lens (SLN) | Standard | 4 ft. | 4SNLED-LD5-54SL-SLN-UNV-L8XX-CD1-U | 5397 | 41 | 131.4 |
| Flat Semi-frost Lens (SLN) | Standard | 4 ft. | 4SNLED-LD5-58SL-SLN-UNV-L8XX-CD1-U | 5793 | 46 | 125.6 |
| Flat Semi-frost Lens (SLN) | Standard | 4 ft. | 4SNLED-LD5-63SL-SLN-UNV-L8XX-CD1-U | 6264 | 52 | 121.3 |
| Flat Semi-frost Lens (SLN) | Standard | 4 ft. | 4SNLED-LD5-65SL-SLN-UNV-L8XX-CD1-U | 6530 | 55 | 118.4 |
| Flat Semi-frost Lens (SLN) | Standard | 4 ft. | 4SNLED-LD5-78SL-SLN-UNV-L8XX-CD1-U | 7676 | 70 | 109.7 |
| Flat Semi-frost Lens (SLN) | Standard | 4 ft. | 4SNLED-LD5-85SL-SLN-UNV-L8XX-CD1-U | 8466 | 85 | 100.1 |
| Flat Semi-frost Lens (SLN) | High | 4 ft. | 4SNLED-LD5-54HL-SLN-UNV-L8XX-CD1-U | 5426 | 37 | 146.4 |
| Flat Semi-frost Lens (SLN) | High | 4 ft. | 4SNLED-LD5-57HL-SLN-UNV-L8XX-CD1-U | 5676 | 39 | 145.3 |
| Flat Semi-frost Lens (SLN) | High | 4 ft. | 4SNLED-LD5-62HL-SLN-UNV-L8XX-CD1-U | 6184 | 43 | 143.4 |
| Flat Semi-frost Lens (SLN) | High | 4 ft. | 4SNLED-LD5-68HL-SLN-UNV-L8XX-CD1-U | 6776 | 48 | 140.5 |
| Flat Semi-frost Lens (SLN) | High | 4 ft. | 4SNLED-LD5-82HL-SLN-UNV-L8XX-CD1-U | 8158 | 62 | 131.3 |
| Flat Semi-frost Lens (SLN) | High | 4 ft. | 4SNLED-LD5-97HL-SLN-UNV-L8XX-CD1-U | 9679 | 79 | 122.4 |
| Flat Semi-frost Lens (SLN) | Standard | 8 ft. | 8TSNLED-LD5-64SL-SLN-UNV-L8XX-CD1-U | 6063 | 42 | 143.2 |
| Flat Semi-frost Lens (SLN) | Standard | 8 ft. | 8TSNLED-LD5-70SL-SLN-UNV-L8XX-CD1-U | 7028 | 50 | 141.2 |
| Flat Semi-frost Lens (SLN) | Standard | 8 ft. | 8TSNLED-LD5-77SL-SLN-UNV-L8XX-CD1-U | 7731 | 55 | 139.5 |
| Flat Semi-frost Lens (SLN) | Standard | 8 ft. | 8TSNLED-LD5-84SL-SLN-UNV-L8XX-CD1-U | 8411 | 61 | 137.6 |
| Flat Semi-frost Lens (SLN) | Standard | 8 ft. | 8TSNLED-LD5-93SL-SLN-UNV-L8XX-CD1-U | 9297 | 69 | 134.7 |
| Flat Semi-frost Lens (SLN) | Standard | 8 ft. | 8TSNLED-LD5-100SL-SLN-UNV-L8XX-CD1-U | 9952 | 75 | 132.4 |
| Flat Semi-frost Lens (SLN) | Standard | 8 ft. | 8TSNLED-LD5-108SL-SLN-UNV-L8XX-CD1-U | 10794 | 82 | 131.4 |
| Flat Semi-frost Lens (SLN) | Standard | 8 ft. | 8TSNLED-LD5-116SL-SLN-UNV-L8XX-CD1-U | 11586 | 92 | 125.6 |
| Flat Semi-frost Lens (SLN) | Standard | 8 ft. | 8TSNLED-LD5-125SL-SLN-UNV-L8XX-CD2-U | 12527 | 103 | 121.3 |
| Flat Semi-frost Lens (SLN) | Standard | 8 ft. | 8TSNLED-LD5-130SL-SLN-UNV-L8XX-CD2-U | 13061 | 110 | 118.4 |
| Flat Semi-frost Lens (SLN) | High | 8 ft. | 8TSNLED-LD5-130HL-SLN-UNV-L8XX-CD2-U | 12368 | 86 | 143.4 |
| Flat Semi-frost Lens (SLN) | High | 8 ft. | 8TSNLED-LD5-170HL-SLN-UNV-L8XX-CD2-U | 16316 | 124 | 131.3 |
| Flat Semi-frost Lens (SLN) | High | 8 ft. | 8TSNLED-LD5-200HL-SLN-UNV-L8XX-CD2-U | 19357 | 158 | 122.4 |

* Consult factory for stock availability. ** Lumen portion of catalog number may not match actual lumens.

Energy and Performance Data

Wattage: Square Flat Full-frost Lens, Wide

| SNLED Type | Lumen Type | Length | Catalog Number** | Nominal 3500K Lumens | Wattage | lm/W |
|----------------------------|------------|--------|--------------------------------------|----------------------|---------|-------|
| Flat Full-frost Lens (SLW) | Standard | 2 ft. | 2SNLED-LD5-16SL-SLW-UNV-L8XX-CD1-U | 1604 | 14 | 112.4 |
| Flat Full-frost Lens (SLW) | Standard | 2 ft. | 2SNLED-LD5-20SL-SLW-UNV-L8XX-CD1-U | 1981 | 18 | 109.4 |
| Flat Full-frost Lens (SLW) | Standard | 2 ft. | 2SNLED-LD5-22SL-SLW-UNV-L8XX-CD1-U | 2248 | 21 | 107.3 |
| Flat Full-frost Lens (SLW) | High | 2 ft. | 2SNLED-LD5-30HL-SLW-UNV-L8XX-CD1-U | 3077 | 27 | 115.8 |
| Flat Full-frost Lens (SLW) | High | 2 ft. | 2SNLED-LD5-41HL-SLW-UNV-L8XX-CD1-U | 4051 | 36 | |
| Flat Full-frost Lens (SLW) | Standard | 4 ft. | 4SNLED-LD5-15SL-SLW-UNV-L8XX-CD1-U | 1547 | 13 | 118.7 |
| Flat Full-frost Lens (SLW) | Standard | 4 ft. | 4SNLED-LD5-19SL-SLW-UNV-L8XX-CD1-U | 1918 | 16 | 119.8 |
| Flat Full-frost Lens (SLW) | Standard | 4 ft. | 4SNLED-LD5-22SL-SLW-UNV-L8XX-CD1-U | 2209 | 18 | 119.7 |
| Flat Full-frost Lens (SLW) | Standard | 4 ft. | 4SNLED-LD5-25SL-SLW-UNV-L8XX-CD1-U | 2518 | 21 | 119.0 |
| Flat Full-frost Lens (SLW) | Standard | 4 ft. | 4SNLED-LD5-29SL-SLW-UNV-L8XX-CD1-U | 2919 | 25 | 117.3 |
| Flat Full-frost Lens (SLW) | Standard | 4 ft. | 4SNLED-LD5-32SL-SLW-UNV-L8XX-CD1-U | 3211 | 28 | 115.9 |
| Flat Full-frost Lens (SLW) | Standard | 4 ft. | 4SNLED-LD5-35SL-SLW-UNV-L8XX-CD1-U | 3494 | 31 | 114.3 |
| Flat Full-frost Lens (SLW) | Standard | 4 ft. | 4SNLED-LD5-39SL-SLW-UNV-L8XX-CD1-U | 3862 | 35 | 111.9 |
| Flat Full-frost Lens (SLW) | Standard | 4 ft. | 4SNLED-LD5-41SL-SLW-UNV-L8XX-CD1-U | 4134 | 38 | 110.0 |
| Flat Full-frost Lens (SLW) | Standard | 4 ft. | 4SNLED-LD5-45SL-SLW-UNV-L8XX-CD1-U | 4483 | 41 | 109.1 |
| Flat Full-frost Lens (SLW) | Standard | 4 ft. | 4SNLED-LD5-48SL-SLW-UNV-L8XX-CD1-U | 4812 | 46 | 104.3 |
| Flat Full-frost Lens (SLW) | Standard | 4 ft. | 4SNLED-LD5-52SL-SLW-UNV-L8XX-CD1-U | 5203 | 52 | 100.7 |
| Flat Full-frost Lens (SLW) | Standard | 4 ft. | 4SNLED-LD5-54SL-SLW-UNV-L8XX-CD1-U | 5425 | 55 | 98.4 |
| Flat Full-frost Lens (SLW) | Standard | 4 ft. | 4SNLED-LD5-64SL-SLW-UNV-L8XX-CD1-U | 6376 | 70 | 91.1 |
| Flat Full-frost Lens (SLW) | Standard | 4 ft. | 4SNLED-LD5-70SL-SLW-UNV-L8XX-CD1-U | 7033 | 48 | 83.1 |
| Flat Full-frost Lens (SLW) | High | 4 ft. | 4SNLED-LD5-46HL-SLW-UNV-L8XX-CD1-U | 4564 | 37 | 123.1 |
| Flat Full-frost Lens (SLW) | High | 4 ft. | 4SNLED-LD5-48HL-SLW-UNV-L8XX-CD1-U | 4774 | 39 | 122.2 |
| Flat Full-frost Lens (SLW) | High | 4 ft. | 4SNLED-LD5-52HL-SLW-UNV-L8XX-CD1-U | 5201 | 43 | 120.6 |
| Flat Full-frost Lens (SLW) | High | 4 ft. | 4SNLED-LD5-57HL-SLW-UNV-L8XX-CD1-U | 5699 | 48 | 118.1 |
| Flat Full-frost Lens (SLW) | High | 4 ft. | 4SNLED-LD5-69HL-SLW-UNV-L8XX-CD1-U | 6862 | 62 | 110.4 |
| Flat Full-frost Lens (SLW) | High | 4 ft. | 4SNLED-LD5-81HL-SLW-UNV-L8XX-CD1-U | 8141 | 79 | 102.9 |
| Flat Full-frost Lens (SLW) | Standard | 8 ft. | 8TSNLED-LD5-50SL-SLW-UNV-L8XX-CD1-U | 5037 | 42 | 119.0 |
| Flat Full-frost Lens (SLW) | Standard | 8 ft. | 8TSNLED-LD5-58SL-SLW-UNV-L8XX-CD1-U | 5838 | 50 | 117.3 |
| Flat Full-frost Lens (SLW) | Standard | 8 ft. | 8TSNLED-LD5-64SL-SLW-UNV-L8XX-CD1-U | 6422 | 55 | 115.9 |
| Flat Full-frost Lens (SLW) | Standard | 8 ft. | 8TSNLED-LD5-70SL-SLW-UNV-L8XX-CD1-U | 6987 | 61 | 114.3 |
| Flat Full-frost Lens (SLW) | Standard | 8 ft. | 8TSNLED-LD5-77SL-SLW-UNV-L8XX-CD1-U | 7723 | 69 | 111.9 |
| Flat Full-frost Lens (SLW) | Standard | 8 ft. | 8TSNLED-LD5-83SL-SLW-UNV-L8XX-CD1-U | 8267 | 75 | 110.0 |
| Flat Full-frost Lens (SLW) | Standard | 8 ft. | 8TSNLED-LD5-90SL-SLW-UNV-L8XX-CD1-U | 8966 | 82 | 109.1 |
| Flat Full-frost Lens (SLW) | Standard | 8 ft. | 8TSNLED-LD5-96SL-SLW-UNV-L8XX-CD1-U | 9624 | 92 | 104.3 |
| Flat Full-frost Lens (SLW) | Standard | 8 ft. | 8TSNLED-LD5-104SL-SLW-UNV-L8XX-CD1-U | 10406 | 103 | 100.7 |
| Flat Full-frost Lens (SLW) | Standard | 8 ft. | 8TSNLED-LD5-108SL-SLW-UNV-L8XX-CD1-U | 10850 | 110 | 98.4 |
| Flat Full-frost Lens (SLW) | High | 8 ft. | 8TSNLED-LD5-130HL-SLW-UNV-L8XX-CD2-U | 10402 | 86 | 120.6 |
| Flat Full-frost Lens (SLW) | High | 8 ft. | 8TSNLED-LD5-170HL-SLW-UNV-L8XX-CD2-U | 13723 | 124 | 110.4 |
| Flat Full-frost Lens (SLW) | High | 8 ft. | 8TSNLED-LD5-200HL-SLW-UNV-L8XX-CD2-U | 16281 | 158 | 102.9 |

* Consult factory for stock availability. ** Lumen portion of catalog number may not match actual lumens.