

INSTALLATION INSTRUCTIONS

**POST TOP LIGHT FIXTURE
GENERATION SERIES
Sheet 1 of 2**

5/11/09 IMI-455

NOTE: DO NOT USE FINIAL TO LIFT FIXTURE OR LENS ASSEMBLY.

IMPORTANT: Read carefully before installing fixture. Retain for future reference.

General: Upon receipt of the fixture, thoroughly inspect for any freight damage, which should be brought to the attention of the delivery carrier. Compare the catalog description listed on the packing slip with the fixture label on the housing to assure you have received the correct merchandise.

Safety: This fixture must be wired in accordance with the national electrical code and applicable local codes and ordinances. Proper grounding is required to insure personal safety. All work should be done by a qualified electrician.

WARNING: Make certain power is OFF before starting installation or attempting any maintenance.

ATTENTION: READ BEFORE REMOVING FIXTURE FROM CARTON

1. DO NOT USE THE FINIAL TO LIFT THE FIXTURE OR TOP ASSEMBLY.
2. Remove the fixture from the packaging and inspect for any damage that may have occurred during shipping.

FIXTURE INSTALLATION

NOTE: Use wet location rated service wire for U.L. compliant installation.

1. Open the access door. Position the service wires to feed through the bottom of the fixture. Open the access door. Slip the fixture onto the pole feeding the service wires to the interior of the fixture. Position the fixture so that the photocontrol window is facing north. **FIG. 1**
2. Tighten the four (4) fixture fitter set screws (provided) located at the base of the housing to 150 LBS/IN. **FIG. 1**
3. Connect the service leads to the terminal block. Connect ground lead. **FIG. 2**
4. Install the photocontrol. **FIG. 1**
5. Close the access door. Make sure it is secured properly.

NOTE: FOR LAMP INSTALLATION INSTRUCTIONS, SEE PAGE 2, SECTION A, UNDER FIXTURE MAINTENANCE SECTION.

INSTALLATION OF OPTIONAL DECORATIVE CAGE ASSEMBLY

1. Remove the cage assembly from the packaging and inspect for any damage that may have occurred during shipping.
 2. Remove the refractor from its pack. **FIG. 3**
- * **TWISTLOCK OPTION ONLY**—Rotate the refractor counterclockwise and lift off. **FIG. 1**
3. Position the cage on top of the base and align the set screw holes.
 4. Replace the refractor, insert the set screws and tighten. **FIG. 3**

***TWISTLOCK OPTION ONLY**- Replace the refractor assuring that the house side/street side orientation of the refractor is correct and locked into place. Insert the set screws and **TIGHTEN ONLY UNTIL THE SET SCREW TIP IS FLUSH WITH THE INSIDE SURFACE. THE SET SCREWS SHOULD NOT ENGAGE THE BASE OF THE GLOBE.**

FIG. 1

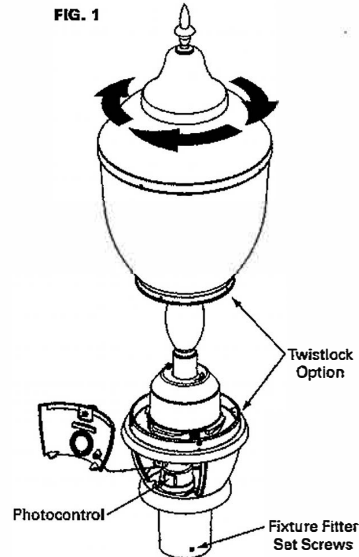


FIG. 2

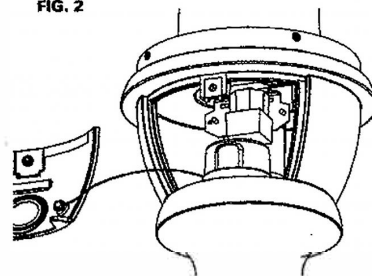
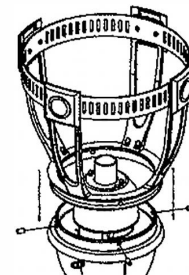


FIG. 3



These instructions do not claim to cover all details or variations in the equipment, procedure, or process described, nor to provide directions for meeting every possible contingency during installation, operation or maintenance. When additional information is desired to satisfy a problem not covered sufficiently for user's purpose, please contact your nearest representative.

INSTALLATION INSTRUCTIONS

IMPORTANT: Read carefully before installing fixture. Retain for future reference.

WARNING: Make certain power is OFF before starting installation or attempting any maintenance.

FIXTURE MAINTENANCE

A. LAMP INSTALLATION AND REPLACEMENT

- Loosen the four (4) set screws and remove the refractor.
- * TWISTLOCK OPTION ONLY**—Rotate refractor counterclockwise and lift off. **FIG. 1**
- * ACCESS TOP OPTION ONLY**—Lift the Access Cap firmly by the finial. A safety cable is provided to hold the access cap to the fixture. **FIG. 4**
- Replace the lamp with the appropriate type and wattage and reassemble the refractor to the upper housing. Assure that the house-side/street-side orientation of the refractor is correct during reassembly.
- * TWISTLOCK OPTION ONLY**—Replace the refractor assuring that the street-side/house-side orientation is correct. Turn clockwise (right to left) to lock into place. **FIG. 1**
- * ACCESS TOP OPTION ONLY**—Position the Access Cap on top of the fixture and press firmly and evenly until it snaps into position. **FIG. 4**

B. PHOTOCONTROL REPLACEMENT

- Open the access door using the quarter-turn latch. The photocontrol is mounted inside the housing. **FIG. 5**
- Remove the photocontrol and replace.
- Close the access door and secure it properly.

C. STARTER REPLACEMENT

- Open the access door using the quarter-turn latch.
- Remove the plug-in starter from the receptacle and replace. **FIG. 5**
- Close the access door and secure it properly.

D. POWER PACK REPLACEMENT

- Open the access door using the quarter-turn latch.
 - Unplug the quick disconnect located inside of the housing.
 - Loosen the four (4) set screws and remove the refractor. **FIG. 1**
 - * TWISTLOCK OPTION ONLY**—Rotate the refractor counterclockwise and lift off. **FIG. 1**
 - Remove the lamp (HID version only). **FIG. 1**
 - Loosen the two (2) brass thumbnuts *one turn only*. Turn ballast cover counterclockwise and lift off (HID version only). **FIG. 6**
 - * CUTOFF OPTICS ONLY**—Lift Chimney Ballast Cover firmly to release spring clips.
 - Loosen the two (2) thumbscrews and lift the power pack free of the fixture. **FIG. 6**
 - Replace the power pack and the lamp. Plug together quick-disconnect. Replace Ballast Cover if required. Reassemble and secure the refractor and the access door.
- *TWISTLOCK OPTION ONLY-** Replace the refractor assuring that the house side/street side orientation of the refractor is correct and locked into place. Insert the set screws and **TIGHTEN ONLY UNTIL THE SET SCREW TIP IS FLUSH WITH THE INSIDE SURFACE. THE SET SCREWS SHOULD NOT ENGAGE THE BASE OF THE GLOBE.**

FIG. 4

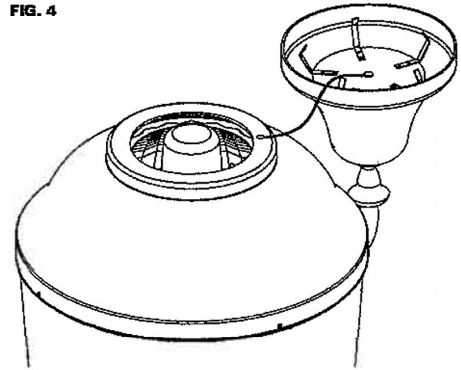


FIG. 5

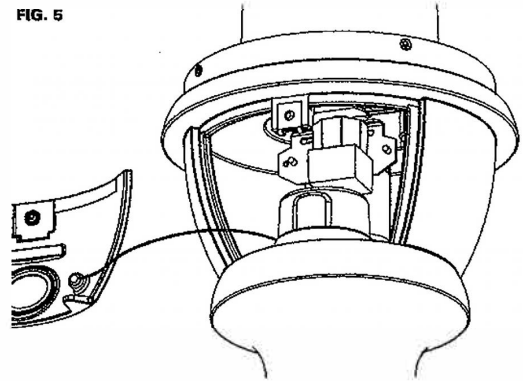
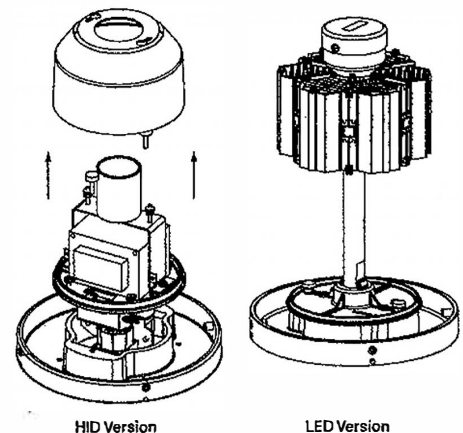


FIG. 6



These instructions do not claim to cover all details or variations in the equipment, procedure, or process described, nor to provide directions for meeting every possible contingency during installation, operation or maintenance. When additional information is desired to satisfy a problem not covered sufficiently for user's purpose, please contact your nearest representative.