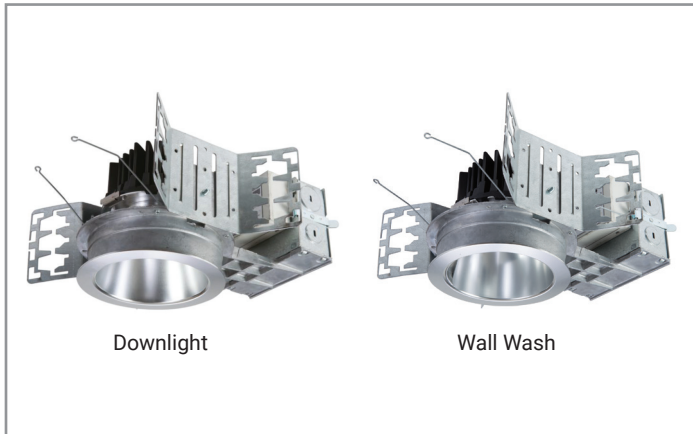


Project		Catalog #		Type	
Prepared by		Notes		Date	



## Portfolio

### LD4C | EU4C | 4LB

4" Round, New Construction Downlight  
Narrow, Medium, Wide Beam or Wall Wash  
250-7500 Lumens

#### Typical Applications

Office • Education • Healthcare • Hospitality • Retail •  
Code-Compliance Areas • Sports Venues

### Interactive Menu

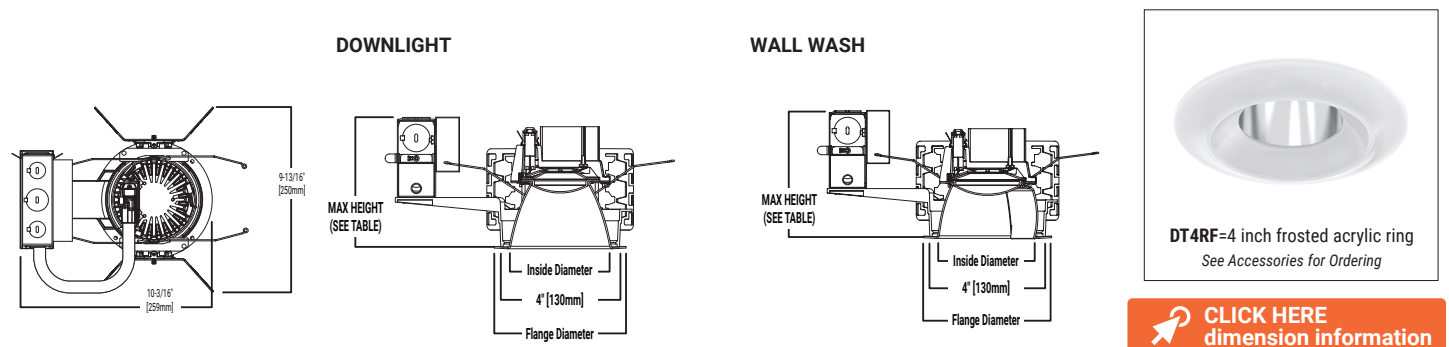
- Order Information [page 2](#)
- Product Specifications [page 4](#)
- Energy Data [page 6](#)
- Photometric Data [page 7](#)
- Connected System [page 11](#)
- Product Warranty



### Top Product Features

- 250-7500 lumens; Offered in 90 and 97 CRI; ENERGY STAR® qualified
- Easy disconnect for LED engine replacement and installation
- Optional snap in driver for ease of replacement
- Standard 0-10V driver dims to 1%
- 2400K, 2700K, 3000K, 3500K, 4000K, 5000K; D2W™ option from 3000K to 1850K
- Available W2N tunable white CCT range 2700K to 6500K or 2000K to 5000K
- Options to meet Buy American and other domestic preference requirements

### Dimensional and Mounting Details



## Single Line Order Information

SAMPLE ORDER NUMBER: **LD4C109030D010M1H = LD4C10D010 + EU4C10209030 + 4LBM1H**

(all components in multiple packages in same shipment)

Invoice will indicate separate fixture components (housing, trim, module) which will ship complete from a single CLS facility in separate cartons.

To receive separate components (housing, trim, module) shipment, click on the "Multi-Line Ordering Information Option" button to the right.

 Multi-line Ordering Information Option

Housing	Lumen <sup>(1)</sup>				Color Control	CCT <sup>(20)</sup>	
<b>LD4C</b> =LED Downlight 4" Nominal Aperture <b>LD4CCP</b> =LED Downlight 4" Nominal Aperture, Chicago Plenum For BAA or TAA use <a href="#">Multi-line Ordering</a>	<b>02</b> = 250 lumens, IC rated <b>05</b> = 500 lumens, IC rated <b>08</b> = 800 lumens, IC rated <b>10</b> = 1000 Lumens <b>10IC</b> = 1000 Lumens, IC rated	<b>15</b> = 1500 Lumens <b>15IC</b> = 1500 Lumens, IC rated <b>20</b> = 2000 Lumens <b>25</b> = 2500 lumens <b>30</b> = 3000 Lumens	<b>35</b> = 3500 lumens <b>40</b> = 4000 Lumens <b>45</b> = 4500 Lumens <sup>(10)</sup> <b>50</b> = 5000 Lumens <sup>(10)</sup> <b>55</b> = 5500 Lumens <sup>(10)</sup>	<b>60</b> = 6000 Lumens <sup>(10)</sup> <b>65</b> = 6500 Lumens <sup>(10)</sup> <b>70</b> = 7000 Lumens <sup>(10)</sup> <b>75</b> = 7500 Lumens <sup>(10)</sup>	<b>90</b> =90 CRI Minimum <b>97</b> =97 CRI Minimum	<b>90 CRI</b> <b>24</b> =2400K <b>27</b> =2700K <b>30</b> =3000K <b>35</b> =3500K <b>40</b> =4000K <b>50</b> =5000K	<b>97 CRI</b> <b>27</b> =2700K <b>30</b> =3000K

Voltage	Driver	
<b>Blank</b> = 120-277V <b>1</b> = 120V Specify as noted in driver section <b>2</b> = 277V Specify as noted in driver section <b>3</b> = 347V (integral driver with D010 800-4000 lumens) all other integral drivers include step down transformer	<b>D010</b> = 0-10V 1% dimming 500-7,000 lumens with integral driver   <b>Specify voltage with 7500 lumens</b>	250-7000 lumens, with remote driver specify voltage for 3500 lumens & above
	<b>D010TR</b> =0-10V or (120V) phase cut 1% dimming 250-7500 lumens with integral driver   <b>Specify voltage with 5000-7500 lumens</b>	250-4500 lumens, with remote driver specify voltage for 3500 lumens & above
	<b>DE010</b> = 0-10V linear 0.1% dimming 500-7000 lumens with integral driver   <b>Specify voltage with 7500 lumens</b>	500-7000 lumens, with remote driver specify voltage for 3500 lumens & above
	<b>D5LT</b> = DALI T6 Logarithmic 0.1% Dimming 500-7000 lumens with integral driver   <b>Specify voltage with 7500 lumens</b>	500-7000 lumens, with remote driver specify voltage for 3500 lumens & above
	<b>DMX</b> = DMX/RDM Logarithmic 0.1% Dimming 800-7500 with integral driver   <b>Specify voltage with 5000 lumens and above <sup>(14)</sup></b>	800-4500 lumens, with remote driver specify voltage for 3500 lumens & above
	<b>DMXC5</b> = DMX/RDM Logarithmic 0.1% Dimming with RJ45 connection 800-7500 with integral driver   <b>Specify voltage with 5000 lumens and above <sup>(14)</sup></b>	800-4500 lumens, with remote driver specify voltage for 3500 lumens & above
	<b>DLE</b> = Lutron Ecosystem dimming 1-100% 800-7500 lumens with integral driver   <b>Specify voltage with 4000 lumens and above</b>	800-3500 lumens, with remote driver specify voltage for 3500 lumens & above
	<b>DLV</b> = Low voltage dimming 1-100% for use with DLVP system, 800-3000 lumens <sup>(9)</sup>	800-3000 lumens (Remote driver only)

Driver Options	Hanger Bars
<b>Blank</b> = Integral driver <b>RC100</b> = Remote 100ft <sup>(9) (26) (33)</sup> <b>RC75</b> = Remote 75ft <sup>(9) (26) (33)</sup> <b>RC50</b> = Remote 50ft <sup>(9) (26) (33)</sup> <b>RC25</b> = Remote 25ft <sup>(9) (26)</sup> <b>RC15</b> = Remote 15ft <sup>(9) (26)</sup> <b>RC5</b> = Remote 5ft <sup>(9) (26)</sup> <b>RC2</b> = Remote 2ft <sup>(9) (26)</sup> <b>PD</b> = Magnetic Plug in Driver <sup>(26)</sup>	<b>Blank</b> = Without hanger bars <b>B26</b> = C-channel Bar Hanger, 26" Long, Pair

Trim Distribution <sup>(5)</sup>	Trim Flange	Trim Finish	Options <sup>(3) (14) (31)</sup>
<b>N</b> =Narrow, Spun Aluminum <sup>(26)</sup> <b>M</b> =50° Cutoff, Medium Beam Reflector, Spun Aluminum <b>MD</b> =45° Cutoff, Medium Beam Reflector, Spun Aluminum <b>W</b> =Wide, Spun Aluminum <b>S</b> =Shallow, Spun Aluminum <b>HY</b> =Hyperbolic medium beam <sup>(12)</sup> <b>PS</b> =Non-Conductive Shallow (dead front), white <sup>(11) (12)</sup> <b>CS</b> =Cast Shallow, Die Cast Aluminum <b>BA</b> = Spun Aluminum Baffle <sup>(7)</sup> <b>Wall Wash</b> <b>SWN</b> = Single Wall Wash, Spun Aluminum <b>DWN</b> = Double Wall Wash, Spun Aluminum <b>CW</b> = Corner Wall Wash, Spun Aluminum <b>MDSW</b> =45° Cutoff, Single Wall Wash, Spun Aluminum <b>MDDW</b> = 45° Cutoff, Double Wall Wash, Spun Aluminum <b>LSWW</b> = Lensed Single wall wash, Spun Aluminum <b>LDWW</b> = Lensed Double wall wash, Spun Aluminum	<b>0</b> =White Polymer Trim Ring <b>1</b> =Self-flanged <sup>(13)</sup> <b>2</b> =White Painted Self-flanged <b>4</b> =Knife edge rimless use with die cast only <sup>(9) (23)</sup>	<b>LI</b> =Specular Clear <sup>(9)</sup> <b>H</b> =Semi-Specular Clear <sup>(9)</sup> <b>WMH</b> =Warm Haze <sup>(9)</sup> <b>WH</b> =Wheat <sup>(9)</sup> <b>GPH</b> =Graphite Haze <sup>(9)</sup> <b>B</b> =Specular Black <sup>(9)</sup> <b>MW</b> =Matte White (Antimicrobial) <b>MB</b> =Matte Black <sup>(9)</sup> <b>MMS</b> =Matte Metallic Silver <sup>(8)</sup>	<b>EMBOD</b> =Bodine® Emergency Module with Remote Test Switch <sup>(25)</sup> <b>EMBOD6ST</b> =Bodine® 6W Self Test Emergency Module with Remote Test Switch <b>EM7</b> =7W Emergency Module with Remote Test Switch <b>EM14</b> =14W Emergency Module with Remote Test Switch <b>EM14RSD</b> =14W Self Diagnostic Replaceable Emergency Battery Pack with Integral Test Switch <b>EMBOD7ST</b> =Bodine® Self Test Emergency Module <sup>(25)</sup> <b>IEMBOD</b> =Bodine® Emergency Module with Integral Test Switch <sup>(4) (25)</sup> <b>IEM7</b> =7W Emergency Module with Integral Test Switch <sup>(4)</sup> <b>IEM14</b> =14W Emergency Module with Integral Test Switch <sup>(4)</sup> <b>IEM14RSD</b> =14W Self Diagnostic Replaceable Emergency Battery Pack with Remote Test Switch <sup>(4)</sup> <b>IEMBOD6ST</b> =Bodine® 6W Self Test Emergency Module with Integral Test Switch <sup>(80)</sup> <b>EMV7</b> =7W Low Voltage Emergency Module with Remote Test Switch <sup>(4)</sup> <b>EMV14</b> =14W Low Voltage Emergency Module with Remote Test Switch <sup>(4)</sup> <b>ETRD</b> =Emergency transfer device <sup>(32)</sup> <b>WPST</b> = Factory installed Wavelinx PRO Sensor Kit <sup>(15) (18)</sup> <b>WLST</b> = Factory installed Wavelinx LITE Sensor Kit <sup>(15) (17)</sup> <b>WPN</b> = Wavelinx PRO Wireless Node without sensor <sup>(20) (36)</sup> <b>WLN</b> = Wavelinx LITE Wireless Node without sensor <sup>(15) (36)</sup>

## Single Line Order Information

### Accessories (Sold separately) <sup>(22)</sup>

<b>TRM4P</b> =White metal trim ring <sup>(2)</sup> <b>LGSKT4IP66</b> =IP66 Gasket Kit <b>DT4RF</b> =6 inch frosted acrylic ring <sup>(29)</sup>  <b>PRR4</b> =Rimless Plaster Ring <sup>(23)</sup> <b>RKP4</b> =Knife Edge plaster Ring <sup>(24)</sup>	<b>RPM4MW</b> =Rimless Millwork Ring, Matte White <sup>(2)</sup> <b>RPM4MB</b> =Rimless Millwork Ring, Matte Black <sup>(2)</sup> <b>RKM4MW</b> =Knife Edge Millwork Ring, Matte White <sup>(24)</sup> <b>RKM4MB</b> =Knife Edge Millwork Ring, Matte Black <sup>(24)</sup>	<b>Connected Lighting Systems</b> <sup>(3) (15)</sup> <b>WPST</b> = Field installed WaveLinX PRO sensor Kit <sup>(17)</sup> <b>WLST</b> = Field installed WaveLinX LITE Sensor Kit <sup>(18)</sup>  <b>Transformers</b> <b>H347</b> =H347 for 5500 lumens and below	<b>Bar Hangers</b> <b>HB50</b> =C-channel Bar Hanger, 50" Long, Pair <b>RMB22</b> =Wood Joist Bar Hanger, 22" Long, Pair  <b>HSA4</b> =Slope Adapter for 4" Aperture Housings, Specify Slope <sup>(34)</sup>
--	--	--	--

#### Notes:

- Nominal Lumens will vary depending on selected color, CRI, driver and reflector finish. Reference [Multiplier tables](#).
- Order trim with polymer trim ring (Consult specification sheet for color ordering information and options).
- Not available with Chicago Plenum.
- ULUS listed only
- Beam angles are nominal with LI finish trims.
- Available with narrow (N), medium (M) and medium 45 degree (MD) Spun Aluminum trims. Required for use with all, IEMBOD, IEM7, IEM14, IEMV7 and IEMV14 housings. Not offered with remote driver.
- Only available with Matte White and Matte Black Finishes.
- Available only on CS distributions.
- Not available on PS, CS or BA distributions.
- Product is marked spacing. [Reference table on page 4](#).
- PS available in self-flanged MW finish only.
- Offered up to 2000 lumens
- Flange is the same finish as the reflector
- DMX fixtures default to full on upon loss of DMX signal.
- Refer to system specifications for additional information, features, and benefits. Order either factory installed option or accessory. Use with 0-10V driver.

- Non-IC
- WLST = WaveLinX LITE tilemount sensor kit for daylight dimming, PIR motion sensing, use with D010 or DE010 only (Refer to WaveLinX LITE system specifications).
- WPST = WaveLinX PRO wireless sensor kit for daylight dimming, PIR motion sensing, and optional RLTS - Real Time Location Services, use with D010 or DE010 only.
- WPN = WaveLinX PRO wireless node provides luminaire level control with scene and zone configuration without an integrated sensor, Connects wirelessly with daylight dimming sensor and PIR motion sensor if desired. Use with D010 or DE010 drivers only.
- Accessories sold separately will be separately analyzed under domestic preference requirements. Consult factory for further information.
- Accessory (Requires knife edge accessory ring)
- Order die cast trim with flange type 4
- Not available with 6500-7000 lumens, DLVP up to 3000 lumens
- Offered with:
  - D010, D5LT, DE010 up to 7000 lumens
  - D010TR, DMX up to 4500 lumens
  - DLE up to 3500 lumens
 (specify voltage 3500 lumens & above)

- Order with self flanged trim.
- Available with narrow (N), medium (M) and medium 45° (MD), Shallow (S). Required for use with all IEMBOD6ST, IEM7, IEM14, IEMV7 and IEMV14 housings. Not offered with remote driver.
- 120V-277V
- Used to bypass local control during outage. Must be used in conjunction with UL 1008 device (provided by others)
- Not available with Lutron drivers
- Not recommended for use with Wall Wash
- WLN = WaveLinX LITE wireless node provides luminaire level control with scene and zone configuration without an integrated sensor, Connects wirelessly with daylight dimming sensor and PIR motion sensor if desired. Use with D010 or DE010 drivers only.
- Not compatible with 347V or Chicago plenum.

## Product Specifications

### Lower Shielding Reflector

- Painted die-cast aluminum or spun aluminum lower reflector with lensed upper optical chamber provides superior lumen output with minimal source brightness
- Spun reflectors are available in all Portfolio anodized finishes
- Hyperbolic reflector provides minimal aperture brightness and glare.
- Available with non-conductive polymer reflector up to 2000 lumens
- Plaster lathing ring, knife edge and millwork ring accessory for flush reflector transition
- Decorative frosted acrylic ring provides a light glow in the ceiling

### Wall Wash Reflector

- Open Wall Wash** - wall wash reflector with gradient kicker offered in single, double and corner wall wash provides even vertical illumination with minimal source brightness.
- Rotatable Lensed Wall Wash** - Rotatable Lensed wall wash reflector offered in single and double wall wash provides even vertical illumination with minimal source brightness.

### Trim Retention

- Two torsion springs hold reflector flange tightly to the finished ceiling surface

### Plaster Frame/Collar

- Die-cast aluminum 1 1/2" deep collar
- Accommodates up to 2" ceiling thickness

### Universal Mounting Bracket

- Accepts 1/2" Electric Metallic Tube (EMT), C-channel and bar hangers
- Adjusts 5" vertically from above and below the ceiling

### Junction box

- Four 1/2" and two 3/4" trade size pry outs positioned to allow straight conduit runs
- Lever connectors for simple push in wiring
- Listed for eight #12 AWG (four in, four out) 90°C conductors and feed thru branch wiring

### Thermal

- Aluminum heat sink conducts heat away from the LED module for improved performance and longer life

### LED System

- Contains a plurality of high brightness white LED's combined with a high reflectance upper reflector and convex transitional lens producing even distribution without pixilation
- Auto resetting, thermally protected, LED's are turned off when safe operating temperatures are exceeded
- Quick disconnect allows for tool-less replacement of LED engine from below ceiling
- 90 and 97 CRI
- 90 & 97CRI: L78 55,000 hours for 1000-2000 lumens, L90 55,000 for all other lumen output
- Color variation within 2-step MacAdam ellipses
- Available in 2400K, 2700K, 3000K, 3500K, 4000K and 5000K correlated color temperature (CCT)

### Vividtune and High CRI

- 98 CRI and W2N: L70 55,000 hours
- D2W™ – dim-to-warm shifts CCT from 3000K to 1850K as fixture dims mimicking halogen sources.
- W2N - Tunable white CCT range 2700K to 6500K or 2000K to 5000K, 90 CRI. Standard
- 98 CRI** With a full-spectrum approach using broad-blue chip technology and special phosphor blends, Thrive is able to closely match the spectrum of the sun across all color temperatures. Benefits of the natural spectrum of the sun using Thrive include superior accurate color rendering, reduced eye strain, and a higher sense of emotional well-being.
- See dedicated specification sheet for more details.

### Driver

- Standard 120-277V 0-10V dimming driver provides flicker free dimming from 100% to 1%
- Optional 120V leading edge/0-10V, <1% 0-10V, Fifth Light, DMX or Lutron® Ecosystem
- Driver can be serviced from above or through the aperture
- Distributed low voltage power system combines power, lighting, and controls with ease of installation.
- Optional magnetically guided snap in driver for ease of maintenance.

### Emergency Option

- Provides 90 minutes of standby lighting, meeting most life safety codes for egress lighting
- Available with integral or remote charge indicator and test switch
- Available Self-Test with remote charge indicator and test switch
- Emergency transfer device (ETRD) senses the loss of power regardless of local control settings allowing emergency power to the fixture.
- UL 924 listed
- EM14RSD with simplified battery replacement and self diagnostics

### Connected Lighting System

Two WaveLinx connected solutions to choose from. Refer to WaveLinx system specifications and application guides for details.

#### WaveLinx PRO Tilemount Sensor Kit

- WaveLinx PRO WPST tilemount sensor kit offers daylight dimming, PIR motion sensing, scene and zone configuration, automatic commissioning; and optional RLTS - Real Time Location Services available.

#### WaveLinx PRO Wireless Node

- WaveLinx PRO WPN wireless node provides luminaire-level control with scene and zone configuration without an integrated sensor; Connects wirelessly with daylight dimming sensor and PIR motion sensor if desired. Use with 0-10V driver only. **Note:** Not compatible with 347V or Chicago plenum.

#### WaveLinx LITE Tilemount Sensor Kit

- WaveLinx LITE WLST tilemount sensor kit offers daylight dimming and PIR motion sensing, scene and grouping configuration.

#### WaveLinx LITE Wireless Node

- WaveLinx LITE WLN wireless node provides luminaire level control with scene and zone configuration without an integrated sensor; Connects wirelessly with daylight dimming sensor and PIR motion sensor if desired. Use with 0-10V driver only. **Note:** Not compatible with 347V or Chicago plenum.

#### WaveLinx Tilemount Sensor Kits Application

- The WPST and WLST tilemount sensor kits include a control module mounted on the luminaire junction box via 1/2" knock-out, and a tilemount sensor on 54-inch whip; for ceiling installation by direct-mount spring clips or via mounting bracket in octagon ceiling boxes.
- The WPST and WLST tilemount sensor kits may be ordered as factory installed on the luminaire, or ordered separately as a field installed accessory kit.
- Note: WaveLinx PRO devices are only compatible with the WaveLinx PRO system.**
- Note: WaveLinx LITE devices are only compatible with the WaveLinx LITE system.**

#### Code Compliance

- Thermally protected
- cULus Certified to UL 1598 / C22.2 No. 250.0 suitable for wet locations with downlight and lens wall wash; damp location with open wall wash with covered ceiling
- IP66 rated when used with IP66 gasket kit accessory
- Use IP66 gasket with non conductive reflector for steam room applications up to 2000 lumens and 40°C.
- Optional City of Chicago environmental air (CCEA) marking for plenum applications
- FCC CFR Title 47 Part 15 Class B at 120VAC and Class A at 277VAC
- Insulated ceiling (IC) rated up to 1,500 lumens (90 and 97CRI). All others are non-IC rated (insulation must be kept 3" from top and sides of housing).
- Can be used for State of California Title 24 high efficacy LED compliance under JA8, reference Modernized Appliance Efficiency Database System (MAEDBS) for 2016 JA8 High Efficacy Lighting\*
- RoHS compliant\*
- Photometric testing completed in accordance with IES LM-79
- LED life testing completed in accordance with IES LM-80-08 and TM-21-11 standards
- See table on page 3 for marked spacing requirements

#### Warranty

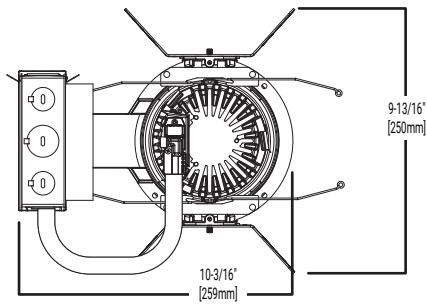
- Five year warranty [www.cooperlighting.com/legal](http://www.cooperlighting.com/legal)

## Marked Spacing

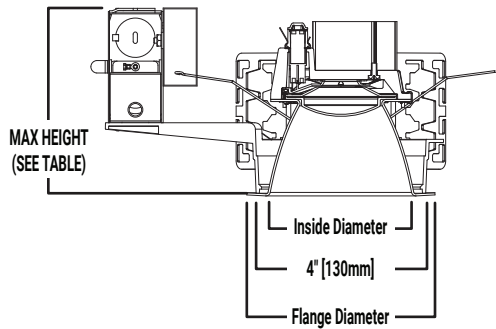
4-inch Marked spacing for 90 and 97 CRI			
Lumens	Center to Center of Adjacent Luminaire (inches)	Center Luminaire to Building Side Member (inches)	Minimum Overhead Height (inches)
4000	36	18	6
4000-7500 (Lutron)	36	18	8
4500-7500	36	18	8

\*T24 and RoHS are self-tested by Cooper Lighting Solutions. Not a third party certification.

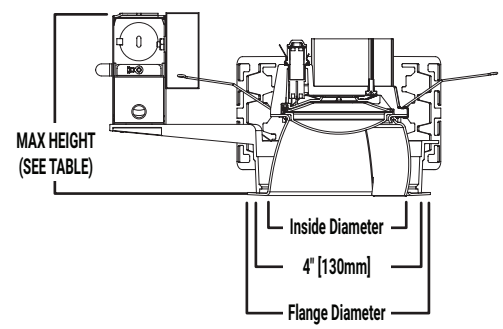
## Dimensional and Mounting Details



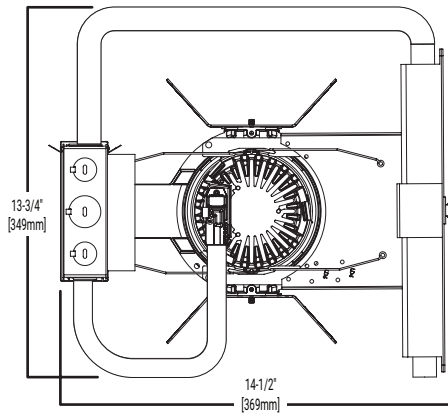
### DOWNLIGHT



### WALL WASH



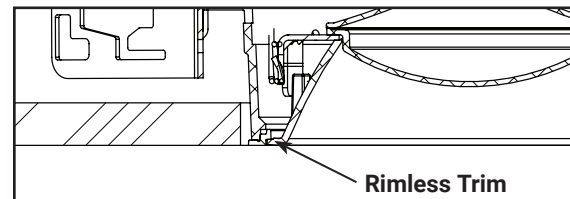
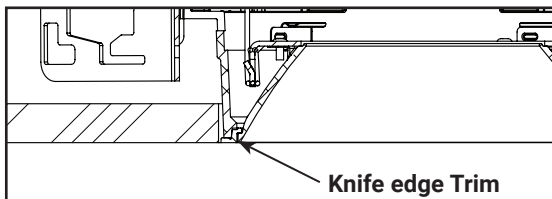
## Emergency Option



### Trim with E option



### Trim with EM6 option



CATALOG #	Flange DIAMETER or WIDTH [IN]	INSIDE DIAMETER or WIDTH [IN]	MAX HEIGHT				
			250-2000 LUMENS (90/97CRI)	2500-4000 LUMENS (90/97CRI)	4500-6000 LUMENS (90/97CRI)	1000-1500IC LUMENS (90/97CRI) 6500-7000 LUMENS (90/97CRI)	2 LEDs 4500-7500 LUMENS (90/97CRI)
4LBN	5.67	4.24	5.6	5.6	5.6	6.1	8.1
4LBM	5.67	4.26	5.6	5.6	5.6	6.1	8.1
4LBW	5.67	4.27	5.6	5.6	5.6	5.7	7.7
4LBBA	5.67	4.28	5.6	5.6	5.6	6.1	8.1
4LBMD	5.67	4.26	5.8	5.9	6.4	6.9	8.9
4LBHY	5.67	4.34	5.6	5.6	5.6	6.1	8.1
4LBS	5.67	4.23	5.6	5.6	5.6	5.6	6.4
4LBPS	5.67	4.23	5.6	5.6	5.6	5.6	6.5
4LBCS	5.67	4.23	5.6	5.6	5.6	5.6	6.5
4LB SWN	5.67	4.27	5.6	5.6	5.6	5.7	7.7
4LB MD SW	5.67	4.26	5.8	5.9	6.4	6.9	8.9
4LB L SW W	5.67	4.27	5.6	5.6	5.6	5.7	7.7
4LB L DW W	5.67	4.27	5.6	5.6	5.6	5.7	7.7

## Energy and Performance Data

### D010 DRIVER ENERGY DATA

Series	250 lumen		500 lumen		800 lumen		1000 lumen		1500 lumen		2000 lumen	
Input Voltage 120-277VAC	120V	277V	120V	277V	120V	277V	120V	277V	120V	277V	120V	277V
Input Current (A)	0.029	0.017	0.061	0.032	0.085	0.041	0.084	0.042	0.135	0.063	0.189	0.084
Input Power (W)	3.45	3.87	7.33	7.78	10.15	10.52	10.04	10.43	16.17	16.56	22.58	22.63
In-rush (A)	2.1	8.5	3.7	8.5	3.6	8.3	3.6	8.4	2.3	9.5	2.1	9.7
Inrush duration (µs)	250	131	190	136	220	135	226	136	230	125	243	132
THDi (%)	7.21	16.92	7.82	10.78	5.57	9.63	7.78	9.24	4.75	9.93	8.03	7.44
PF	≥ 0.98	≥ 0.9	≥ 0.99	≥ 0.93	≥ 0.99	≥ 0.95	≥ 0.99	≥ 0.95	≥ 0.99	≥ 0.94	≥ 0.99	≥ 0.96

Series	2500 lumen		3000 lumen		3500 lumen		4000 lumen		4500 lumen		5000 lumen	
Input Voltage 120-277VAC	120V	277V	120V	277V	120V	277V	120V	277V	120V	277V	120V	277V
Input Current (A)	0.276	0.121	0.276	0.121	0.333	0.152	0.404	0.181	0.421	0.192	0.491	0.216
Input Power (W)	32.98	32.57	32	32.57	39.83	39.84	48.38	47.94	50.22	50.17	58.69	58.01
In-rush (A)	2.5	11.8	3.6	11.8	3.1	14.3	3.1	14.5	5.6	22.6	5.6	22.6
Inrush duration (µs)	215	111	220	111	200	94	197	95	215	120	213	135
THDi (%)	9.86	6.57	5.57	6.57	4.25	10.05	5.02	7.97	6.12	8.35	8.51	7.92
PF	≥ 0.99	≥ 0.97	≥ 0.99	≥ 0.99	≥ 0.99	≥ 0.94	≥ 0.99	≥ 0.95	≥ 0.99	≥ 0.95	≥ 0.99	≥ 0.96

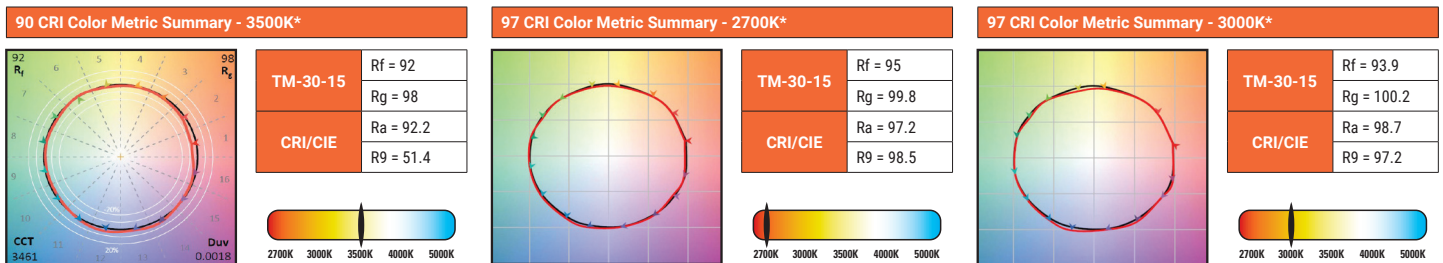
Series	5500 lumen		6000 lumen		6500 lumen		7000 lumen		7500 lumen	
Input Voltage 120-277VAC	120V	277V	120V	277V	120V	277V	120V	277V	120V	277V
Input Current (A)	0.526	0.231	0.542	0.256	0.572	0.266	0.632	0.292	0.668	0.306
Input Power (W)	62.97	61.97	64.88	65.7	68.35	69.02	75.56	75.85	79.89	80.09
In-rush (A)	5.1	23.1	6.2	27.5	6.3	28.4	6.4	29.1	6.4	28.7
Inrush duration (µs)	217	138	188	101	189	92	187	90	185	100
THDi (%)	9.42	7.16	4.33	11.86	4.38	11.33	4.84	10.32	4.46	9.85
PF	≥ 0.99	≥ 0.96	≥ 0.99	≥ 0.93	≥ 0.99	≥ 0.93	≥ 0.99	≥ 0.94	≥ 0.99	≥ 0.94

Minimum starting temperature -30°C (-22°F)\*  
(Nominal input 120-277VAC & 100% of rated output power)

Sound Rating: Class A standards

**Notes:**  
Emergency Battery packs are rated for a minimum starting temperature of 0°C.

### COLOR METRICS - TM-30-15 & CRI/CIE



\* Color values are based on haze reflector, other finishes and field results may vary.

## Photometric Data

[View IES files](#)

MEDIUM BEAM 50° CUTOFF 65° BEAM (H)		CANDLEPOWER DISTRIBUTION		CONE OF LIGHT		CANDELA TABLE		ZONAL LUMEN SUMMARY			LUMINANCE	
Test Number	P571636	<b>Downlight</b>				Degrees Vertical	Canдела	Zone	Lumens	% Fixture	Average Candela Degrees	Average 0° Luminance
Housing	LD4C15D010					0	1168	0-30	752	63.8	37	55459
Module	EU4C10209035					5	1147	0-40	1024	87	45	23472
Trim	4LBMH					15	1006	0-60	1165	98.9	55	6854
Lumens	1178					25	800	0-90	1178	100	65	2587
Efficacy	74.6 Lm/W					35	437	90-180	0	0	75	854
SC	0.95					45	135	0-180	1178	100	85	0
UGR	11.9					55	32					
						65	9					
						75	2					
						85	0					
						90	0					

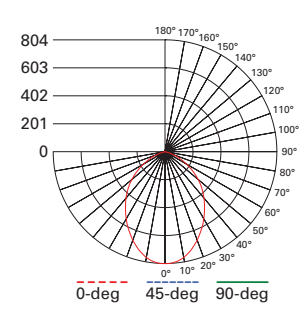
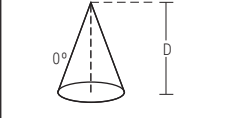
MEDIUM BEAM 50° CUTOFF 45° BEAM (LI)		CANDLEPOWER DISTRIBUTION		CONE OF LIGHT		CANDELA TABLE		ZONAL LUMEN SUMMARY			LUMINANCE	
Test Number	P571637	<b>Downlight</b>				Degrees Vertical	Canдела	Zone	Lumens	% Fixture	Average Candela Degrees	Average 0° Luminance
Housing	LD4C15D010					0	3780	0-30	1213	82.6	37	38008
Module	EU4C10209035					5	3389	0-40	1428	97.2	45	6672
Trim	4LBMLI					15	1844	0-60	1468	99.9	55	493
Lumens	1469					25	873	0-90	1469	100	65	669
Efficacy	93 Lm/W					35	339	90-180	0	0	75	0
SC	0.48					45	38	0-180	1469	100	85	0
UGR	0					55	2					
						65	2					
						75	0					
						85	0					
						90	0					

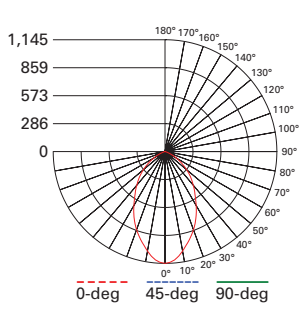
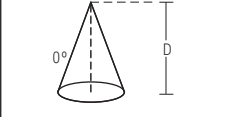
NARROW 55° BEAM (H)		CANDLEPOWER DISTRIBUTION		CONE OF LIGHT		CANDELA TABLE		ZONAL LUMEN SUMMARY			LUMINANCE	
Test Number	P571638	<b>Downlight</b>				Degrees Vertical	Canдела	Zone	Lumens	% Fixture	Average Candela Degrees	Average 0° Luminance
Housing	LD4C15D010					0	1229	0-30	692	70.7	37	39457
Module	EU4C10209035					5	1197	0-40	899	91.8	45	11710
Trim	4LBNH					15	963	0-60	972	99.2	55	3406
Lumens	979					25	685	0-90	979	100	65	1541
Efficacy	62 Lm/W					35	332	90-180	0	0	75	854
SC	0.81					45	67	0-180	979	100	85	0
UGR	8.2					55	16					
						65	5					
						75	2					
						85	0					
						90	0					

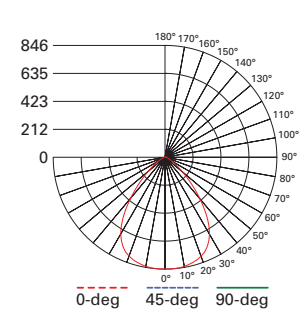
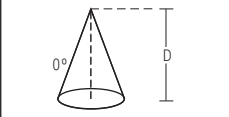
NARROW 30° BEAM (LI)		CANDLEPOWER DISTRIBUTION		CONE OF LIGHT		CANDELA TABLE		ZONAL LUMEN SUMMARY			LUMINANCE	
Test Number	P571639	<b>Downlight</b>				Degrees Vertical	Canдела	Zone	Lumens	% Fixture	Average Candela Degrees	Average 0° Luminance
Housing	LD4C15D010					0	2967	0-30	952	82.6	37	29831
Module	EU4C10209035					5	2660	0-40	1121	97.2	45	5247
Trim	4LBNLI					15	1447	0-60	1152	99.9	55	386
Lumens	1153					25	685	0-90	1153	100	65	523
Efficacy	73 Lm/W					35	266	90-180	0	0	75	0
SC	0.48					45	30	0-180	1153	100	85	0
UGR	0					55	2					
						65	2					
						75	0					
						85	0					
						90	0					

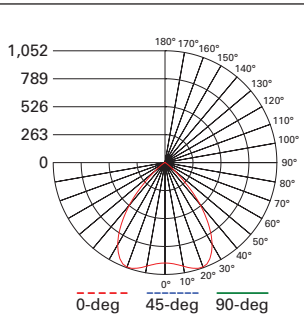
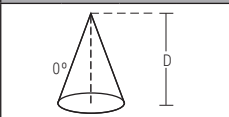
## Photometric Data

 [View IES files](#)

SHALLOW 85° BEAM (H)		CANDLEPOWER DISTRIBUTION				CONE OF LIGHT				CANDELA TABLE		ZONAL LUMEN SUMMARY			LUMINANCE																																																																																				
Test Number	P571640	<b>Downlight</b> 				 <table border="1"> <thead> <tr> <th>D</th> <th>FC</th> <th>L</th> <th>W</th> </tr> </thead> <tbody> <tr><td>4'</td><td>50.3</td><td>4.2</td><td>4.2</td></tr> <tr><td>7'</td><td>16.4</td><td>7.4</td><td>7.4</td></tr> <tr><td>9'</td><td>9.9</td><td>9.4</td><td>9.4</td></tr> <tr><td>13'</td><td>4.8</td><td>13.6</td><td>13.6</td></tr> <tr><td>16'</td><td>3.1</td><td>16.8</td><td>16.8</td></tr> </tbody> </table>				D	FC	L	W	4'	50.3	4.2	4.2	7'	16.4	7.4	7.4	9'	9.9	9.4	9.4	13'	4.8	13.6	13.6	16'	3.1	16.8	16.8	<table border="1"> <thead> <tr> <th>Degrees Vertical</th> <th>Candela</th> </tr> </thead> <tbody> <tr><td>0</td><td>804</td></tr> <tr><td>5</td><td>798</td></tr> <tr><td>15</td><td>730</td></tr> <tr><td>25</td><td>618</td></tr> <tr><td>35</td><td>496</td></tr> <tr><td>45</td><td>376</td></tr> <tr><td>55</td><td>246</td></tr> <tr><td>65</td><td>120</td></tr> <tr><td>75</td><td>29</td></tr> <tr><td>85</td><td>0</td></tr> <tr><td>90</td><td>0</td></tr> </tbody> </table>		Degrees Vertical	Candela	0	804	5	798	15	730	25	618	35	496	45	376	55	246	65	120	75	29	85	0	90	0	<table border="1"> <thead> <tr> <th>Zone</th> <th>Lumens</th> <th>% Fixture</th> </tr> </thead> <tbody> <tr><td>0-30</td><td>565</td><td>36.7</td></tr> <tr><td>0-40</td><td>875</td><td>56.9</td></tr> <tr><td>0-60</td><td>1384</td><td>90</td></tr> <tr><td>0-90</td><td>1538</td><td>100</td></tr> <tr><td>90-180</td><td>0</td><td>0</td></tr> <tr><td>0-180</td><td>1538</td><td>100</td></tr> </tbody> </table>			Zone	Lumens	% Fixture	0-30	565	36.7	0-40	875	56.9	0-60	1384	90	0-90	1538	100	90-180	0	0	0-180	1538	100	<table border="1"> <thead> <tr> <th>Average Candela Degrees</th> <th>Average 0° Luminance</th> </tr> </thead> <tbody> <tr><td>37</td><td>72577</td></tr> <tr><td>45</td><td>65309</td></tr> <tr><td>55</td><td>52605</td></tr> <tr><td>65</td><td>34942</td></tr> <tr><td>75</td><td>13670</td></tr> <tr><td>85</td><td>0</td></tr> </tbody> </table>		Average Candela Degrees	Average 0° Luminance	37	72577	45	65309	55	52605	65	34942	75	13670	85	0
D	FC									L	W																																																																																								
4'	50.3	4.2	4.2																																																																																																
7'	16.4	7.4	7.4																																																																																																
9'	9.9	9.4	9.4																																																																																																
13'	4.8	13.6	13.6																																																																																																
16'	3.1	16.8	16.8																																																																																																
Degrees Vertical	Candela																																																																																																		
0	804																																																																																																		
5	798																																																																																																		
15	730																																																																																																		
25	618																																																																																																		
35	496																																																																																																		
45	376																																																																																																		
55	246																																																																																																		
65	120																																																																																																		
75	29																																																																																																		
85	0																																																																																																		
90	0																																																																																																		
Zone	Lumens	% Fixture																																																																																																	
0-30	565	36.7																																																																																																	
0-40	875	56.9																																																																																																	
0-60	1384	90																																																																																																	
0-90	1538	100																																																																																																	
90-180	0	0																																																																																																	
0-180	1538	100																																																																																																	
Average Candela Degrees	Average 0° Luminance																																																																																																		
37	72577																																																																																																		
45	65309																																																																																																		
55	52605																																																																																																		
65	34942																																																																																																		
75	13670																																																																																																		
85	0																																																																																																		
Housing	LD4C15D010																																																																																																		
Module	EU4B10209035																																																																																																		
Trim	4LBSH																																																																																																		
Lumens	1538																																																																																																		
Efficacy	97.3 Lm/W																																																																																																		
SC	1.06																																																																																																		
UGR	26.5																																																																																																		

SHALLOW 65° BEAM (LI)		CANDLEPOWER DISTRIBUTION				CONE OF LIGHT				CANDELA TABLE		ZONAL LUMEN SUMMARY			LUMINANCE																																																																																				
Test Number	P571641	<b>Downlight</b> 				 <table border="1"> <thead> <tr> <th>D</th> <th>FC</th> <th>L</th> <th>W</th> </tr> </thead> <tbody> <tr><td>4'</td><td>71.6</td><td>3.6</td><td>3.6</td></tr> <tr><td>7'</td><td>23.4</td><td>6.2</td><td>6.2</td></tr> <tr><td>9'</td><td>14.1</td><td>8.2</td><td>8.2</td></tr> <tr><td>13'</td><td>6.8</td><td>11.8</td><td>11.8</td></tr> <tr><td>16'</td><td>4.5</td><td>14.4</td><td>14.4</td></tr> </tbody> </table>				D	FC	L	W	4'	71.6	3.6	3.6	7'	23.4	6.2	6.2	9'	14.1	8.2	8.2	13'	6.8	11.8	11.8	16'	4.5	14.4	14.4	<table border="1"> <thead> <tr> <th>Degrees Vertical</th> <th>Candela</th> </tr> </thead> <tbody> <tr><td>0</td><td>1145</td></tr> <tr><td>5</td><td>1115</td></tr> <tr><td>15</td><td>945</td></tr> <tr><td>25</td><td>749</td></tr> <tr><td>35</td><td>534</td></tr> <tr><td>45</td><td>371</td></tr> <tr><td>55</td><td>208</td></tr> <tr><td>65</td><td>73</td></tr> <tr><td>75</td><td>4</td></tr> <tr><td>85</td><td>0</td></tr> <tr><td>90</td><td>0</td></tr> </tbody> </table>		Degrees Vertical	Candela	0	1145	5	1115	15	945	25	749	35	534	45	371	55	208	65	73	75	4	85	0	90	0	<table border="1"> <thead> <tr> <th>Zone</th> <th>Lumens</th> <th>% Fixture</th> </tr> </thead> <tbody> <tr><td>0-30</td><td>712</td><td>44.4</td></tr> <tr><td>0-40</td><td>1048</td><td>65.3</td></tr> <tr><td>0-60</td><td>1520</td><td>94.8</td></tr> <tr><td>0-90</td><td>1604</td><td>100</td></tr> <tr><td>90-180</td><td>0</td><td>0</td></tr> <tr><td>0-180</td><td>1604</td><td>100</td></tr> </tbody> </table>			Zone	Lumens	% Fixture	0-30	712	44.4	0-40	1048	65.3	0-60	1520	94.8	0-90	1604	100	90-180	0	0	0-180	1604	100	<table border="1"> <thead> <tr> <th>Average Candela Degrees</th> <th>Average 0° Luminance</th> </tr> </thead> <tbody> <tr><td>37</td><td>77201</td></tr> <tr><td>45</td><td>64475</td></tr> <tr><td>55</td><td>44508</td></tr> <tr><td>65</td><td>21163</td></tr> <tr><td>75</td><td>1709</td></tr> <tr><td>85</td><td>0</td></tr> </tbody> </table>		Average Candela Degrees	Average 0° Luminance	37	77201	45	64475	55	44508	65	21163	75	1709	85	0
D	FC									L	W																																																																																								
4'	71.6	3.6	3.6																																																																																																
7'	23.4	6.2	6.2																																																																																																
9'	14.1	8.2	8.2																																																																																																
13'	6.8	11.8	11.8																																																																																																
16'	4.5	14.4	14.4																																																																																																
Degrees Vertical	Candela																																																																																																		
0	1145																																																																																																		
5	1115																																																																																																		
15	945																																																																																																		
25	749																																																																																																		
35	534																																																																																																		
45	371																																																																																																		
55	208																																																																																																		
65	73																																																																																																		
75	4																																																																																																		
85	0																																																																																																		
90	0																																																																																																		
Zone	Lumens	% Fixture																																																																																																	
0-30	712	44.4																																																																																																	
0-40	1048	65.3																																																																																																	
0-60	1520	94.8																																																																																																	
0-90	1604	100																																																																																																	
90-180	0	0																																																																																																	
0-180	1604	100																																																																																																	
Average Candela Degrees	Average 0° Luminance																																																																																																		
37	77201																																																																																																		
45	64475																																																																																																		
55	44508																																																																																																		
65	21163																																																																																																		
75	1709																																																																																																		
85	0																																																																																																		
Housing	LD4C15D010																																																																																																		
Module	EU4C10209035																																																																																																		
Trim	4LBSLI																																																																																																		
Lumens	1604																																																																																																		
Efficacy	101.5 Lm/W																																																																																																		
SC	0.91																																																																																																		
UGR	23.9																																																																																																		

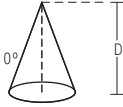
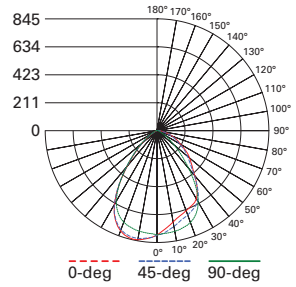
WIDE 80° BEAM (H)		CANDLEPOWER DISTRIBUTION				CONE OF LIGHT				CANDELA TABLE		ZONAL LUMEN SUMMARY			LUMINANCE																																																																																				
Test Number	P571642	<b>Downlight</b> 				 <table border="1"> <thead> <tr> <th>D</th> <th>FC</th> <th>L</th> <th>W</th> </tr> </thead> <tbody> <tr><td>4'</td><td>52.7</td><td>4.6</td><td>4.6</td></tr> <tr><td>7'</td><td>17.2</td><td>8.2</td><td>8.2</td></tr> <tr><td>9'</td><td>10.4</td><td>10.4</td><td>10.4</td></tr> <tr><td>13'</td><td>5</td><td>15.2</td><td>15.2</td></tr> <tr><td>16'</td><td>3.3</td><td>18.8</td><td>18.8</td></tr> </tbody> </table>				D	FC	L	W	4'	52.7	4.6	4.6	7'	17.2	8.2	8.2	9'	10.4	10.4	10.4	13'	5	15.2	15.2	16'	3.3	18.8	18.8	<table border="1"> <thead> <tr> <th>Degrees Vertical</th> <th>Candela</th> </tr> </thead> <tbody> <tr><td>0</td><td>844</td></tr> <tr><td>5</td><td>844</td></tr> <tr><td>15</td><td>821</td></tr> <tr><td>25</td><td>748</td></tr> <tr><td>35</td><td>547</td></tr> <tr><td>45</td><td>265</td></tr> <tr><td>55</td><td>84</td></tr> <tr><td>65</td><td>23</td></tr> <tr><td>75</td><td>7</td></tr> <tr><td>85</td><td>0</td></tr> <tr><td>90</td><td>0</td></tr> </tbody> </table>		Degrees Vertical	Candela	0	844	5	844	15	821	25	748	35	547	45	265	55	84	65	23	75	7	85	0	90	0	<table border="1"> <thead> <tr> <th>Zone</th> <th>Lumens</th> <th>% Fixture</th> </tr> </thead> <tbody> <tr><td>0-30</td><td>653</td><td>49.9</td></tr> <tr><td>0-40</td><td>991</td><td>75.7</td></tr> <tr><td>0-60</td><td>1276</td><td>97.5</td></tr> <tr><td>0-90</td><td>1309</td><td>100</td></tr> <tr><td>90-180</td><td>0</td><td>0</td></tr> <tr><td>0-180</td><td>1309</td><td>100</td></tr> </tbody> </table>			Zone	Lumens	% Fixture	0-30	653	49.9	0-40	991	75.7	0-60	1276	97.5	0-90	1309	100	90-180	0	0	0-180	1309	100	<table border="1"> <thead> <tr> <th>Average Candela Degrees</th> <th>Average 0° Luminance</th> </tr> </thead> <tbody> <tr><td>37</td><td>75186</td></tr> <tr><td>45</td><td>45989</td></tr> <tr><td>55</td><td>17885</td></tr> <tr><td>65</td><td>6715</td></tr> <tr><td>75</td><td>3370</td></tr> <tr><td>85</td><td>0</td></tr> </tbody> </table>		Average Candela Degrees	Average 0° Luminance	37	75186	45	45989	55	17885	65	6715	75	3370	85	0
D	FC									L	W																																																																																								
4'	52.7	4.6	4.6																																																																																																
7'	17.2	8.2	8.2																																																																																																
9'	10.4	10.4	10.4																																																																																																
13'	5	15.2	15.2																																																																																																
16'	3.3	18.8	18.8																																																																																																
Degrees Vertical	Candela																																																																																																		
0	844																																																																																																		
5	844																																																																																																		
15	821																																																																																																		
25	748																																																																																																		
35	547																																																																																																		
45	265																																																																																																		
55	84																																																																																																		
65	23																																																																																																		
75	7																																																																																																		
85	0																																																																																																		
90	0																																																																																																		
Zone	Lumens	% Fixture																																																																																																	
0-30	653	49.9																																																																																																	
0-40	991	75.7																																																																																																	
0-60	1276	97.5																																																																																																	
0-90	1309	100																																																																																																	
90-180	0	0																																																																																																	
0-180	1309	100																																																																																																	
Average Candela Degrees	Average 0° Luminance																																																																																																		
37	75186																																																																																																		
45	45989																																																																																																		
55	17885																																																																																																		
65	6715																																																																																																		
75	3370																																																																																																		
85	0																																																																																																		
Housing	LD4C15D010																																																																																																		
Module	EU4C10209035																																																																																																		
Trim	4LBWH																																																																																																		
Lumens	1309																																																																																																		
Efficacy	82.8 Lm/W																																																																																																		
SC	1.18																																																																																																		
UGR	17.9																																																																																																		

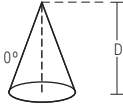
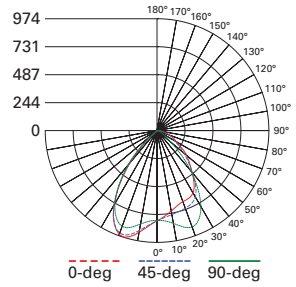
WIDE 80° BEAM (LI)		CANDLEPOWER DISTRIBUTION				CONE OF LIGHT				CANDELA TABLE		ZONAL LUMEN SUMMARY			LUMINANCE																																																																																				
Test Number	P571643	<b>Downlight</b> 				 <table border="1"> <thead> <tr> <th>D</th> <th>FC</th> <th>L</th> <th>W</th> </tr> </thead> <tbody> <tr><td>4'</td><td>59.5</td><td>5</td><td>5</td></tr> <tr><td>7'</td><td>19.4</td><td>9</td><td>9</td></tr> <tr><td>9'</td><td>11.8</td><td>11.6</td><td>11.6</td></tr> <tr><td>13'</td><td>5.6</td><td>16.6</td><td>16.6</td></tr> <tr><td>16'</td><td>3.7</td><td>20.6</td><td>20.6</td></tr> </tbody> </table>				D	FC	L	W	4'	59.5	5	5	7'	19.4	9	9	9'	11.8	11.6	11.6	13'	5.6	16.6	16.6	16'	3.7	20.6	20.6	<table border="1"> <thead> <tr> <th>Degrees Vertical</th> <th>Candela</th> </tr> </thead> <tbody> <tr><td>0</td><td>950</td></tr> <tr><td>5</td><td>963</td></tr> <tr><td>15</td><td>1036</td></tr> <tr><td>25</td><td>1005</td></tr> <tr><td>35</td><td>723</td></tr> <tr><td>45</td><td>279</td></tr> <tr><td>55</td><td>28</td></tr> <tr><td>65</td><td>4</td></tr> <tr><td>75</td><td>2</td></tr> <tr><td>85</td><td>0</td></tr> <tr><td>90</td><td>0</td></tr> </tbody> </table>		Degrees Vertical	Candela	0	950	5	963	15	1036	25	1005	35	723	45	279	55	28	65	4	75	2	85	0	90	0	<table border="1"> <thead> <tr> <th>Zone</th> <th>Lumens</th> <th>% Fixture</th> </tr> </thead> <tbody> <tr><td>0-30</td><td>844</td><td>54.4</td></tr> <tr><td>0-40</td><td>1289</td><td>83.1</td></tr> <tr><td>0-60</td><td>1546</td><td>99.7</td></tr> <tr><td>0-90</td><td>1551</td><td>100</td></tr> <tr><td>90-180</td><td>0</td><td>0</td></tr> <tr><td>0-180</td><td>1551</td><td>100</td></tr> </tbody> </table>			Zone	Lumens	% Fixture	0-30	844	54.4	0-40	1289	83.1	0-60	1546	99.7	0-90	1551	100	90-180	0	0	0-180	1551	100	<table border="1"> <thead> <tr> <th>Average Candela Degrees</th> <th>Average 0° Luminance</th> </tr> </thead> <tbody> <tr><td>37</td><td>-</td></tr> <tr><td>45</td><td>-</td></tr> <tr><td>55</td><td>-</td></tr> <tr><td>65</td><td>-</td></tr> <tr><td>75</td><td>-</td></tr> <tr><td>85</td><td>-</td></tr> </tbody> </table>		Average Candela Degrees	Average 0° Luminance	37	-	45	-	55	-	65	-	75	-	85	-
D	FC									L	W																																																																																								
4'	59.5	5	5																																																																																																
7'	19.4	9	9																																																																																																
9'	11.8	11.6	11.6																																																																																																
13'	5.6	16.6	16.6																																																																																																
16'	3.7	20.6	20.6																																																																																																
Degrees Vertical	Candela																																																																																																		
0	950																																																																																																		
5	963																																																																																																		
15	1036																																																																																																		
25	1005																																																																																																		
35	723																																																																																																		
45	279																																																																																																		
55	28																																																																																																		
65	4																																																																																																		
75	2																																																																																																		
85	0																																																																																																		
90	0																																																																																																		
Zone	Lumens	% Fixture																																																																																																	
0-30	844	54.4																																																																																																	
0-40	1289	83.1																																																																																																	
0-60	1546	99.7																																																																																																	
0-90	1551	100																																																																																																	
90-180	0	0																																																																																																	
0-180	1551	100																																																																																																	
Average Candela Degrees	Average 0° Luminance																																																																																																		
37	-																																																																																																		
45	-																																																																																																		
55	-																																																																																																		
65	-																																																																																																		
75	-																																																																																																		
85	-																																																																																																		
Housing	LD4C15D010																																																																																																		
Module	EU4C10209035																																																																																																		
Trim	4LBWLI																																																																																																		
Lumens	1551																																																																																																		
Efficacy	98.2 Lm/W																																																																																																		
SC	1.29																																																																																																		
UGR	6.9																																																																																																		

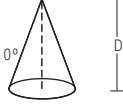
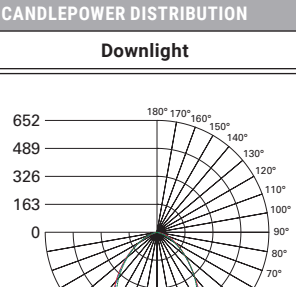


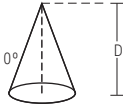
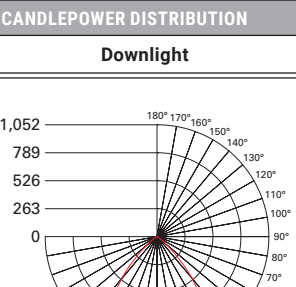
## Photometric Data

 [View IES files](#)

SINGLE WALL WASH (H)		CANDLEPOWER DISTRIBUTION				CONE OF LIGHT				CANDELA TABLE		ZONAL LUMEN SUMMARY			LUMINANCE	
Test Number	P571644	<b>Downlight</b>								<b>Degrees Vertical</b>	<b>Candela</b>	<b>Zone</b>	<b>Lumens</b>	<b>% Fixture</b>	<b>Average Candela Degrees</b>	<b>Average 0° Luminance</b>
Housing	LD4C15D010					<b>D</b>	<b>FC</b>	<b>L</b>	<b>W</b>	0	793	0-30	608	43.8	37	75835
Module	EU4C10209035					4'	51	4.4	4.6	5	746	0-40	928	66.7	45	64441
Trim	4LCSWH					7'	16.6	7.9	8	15	669	0-60	1283	92.3	55	56032
Lumens	1390					9'	10.1	10.1	10.2	25	625	0-90	1390	100	65	46337
Efficacy	88 Lm/W					13'	4.8	14.7	15	35	527	90-180	0	0	75	34936
SC	1.17					16'	3.2	18.1	18.4	45	371	0-180	1390	100	85	24527
UGR	29.6									55	262					
										65	159					
										75	74					
										85	17					
										90	0					

SINGLE WALL WASH (LI)		CANDLEPOWER DISTRIBUTION				CONE OF LIGHT				CANDELA TABLE		ZONAL LUMEN SUMMARY			LUMINANCE	
Test Number	P571645	<b>Downlight</b>								<b>Degrees Vertical</b>	<b>Candela</b>	<b>Zone</b>	<b>Lumens</b>	<b>% Fixture</b>	<b>Average Candela Degrees</b>	<b>Average 0° Luminance</b>
Housing	LD4C15D010					<b>D</b>	<b>FC</b>	<b>L</b>	<b>W</b>	0	783	0-30	680	47.1	37	78745
Module	EU4C10209035					4'	54.2	4.5	4.8	5	745	0-40	1041	72.1	45	66786
Trim	4LCSWLI					7'	17.7	8	8.6	15	673	0-60	1362	94.2	55	50356
Lumens	1445					9'	10.7	10.3	11	25	648	0-90	1445	100	65	41599
Efficacy	91.5 Lm/W					13'	5.1	14.9	16	35	548	90-180	0	0	75	27151
SC	1.3					16'	3.4	18.4	19.6	45	384	0-180	1445	100	85	14378
UGR	28.3									55	235					
										65	143					
										75	57					
										85	10					
										90	0					

LENSED WALL WASH (LI)		CANDLEPOWER DISTRIBUTION				CONE OF LIGHT				CANDELA TABLE		ZONAL LUMEN SUMMARY			LUMINANCE	
Test Number	P571646	<b>Downlight</b>								<b>Degrees Vertical</b>	<b>Candela</b>	<b>Zone</b>	<b>Lumens</b>	<b>% Fixture</b>	<b>Average Candela Degrees</b>	<b>Average 0° Luminance</b>
Housing	LD4C15D010					<b>D</b>	<b>FC</b>	<b>L</b>	<b>W</b>	0	650	0-30	499	40	37	61806
Module	EU4C10209035					4'	40.7	4.6	4.4	5	644	0-40	766	61.5	45	48248
Trim	4LBLWWLI					7'	13.3	8.2	7.8	15	647	0-60	1139	91.4	55	37226
Lumens	1246					9'	8	10.6	10	25	591	0-90	1246	100	65	28866
Efficacy	78.9 Lm/W					13'	3.8	15.4	14.4	35	439	90-180	0	0	75	19936
SC	1.12					16'	2.5	19	17.8	45	278	0-180	1246	100	85	4088
UGR	26.3									55	174					
										65	99					
										75	42					
										85	3					
										90	0					

LENSED WALL WASH (H)		CANDLEPOWER DISTRIBUTION				CONE OF LIGHT				CANDELA TABLE		ZONAL LUMEN SUMMARY			LUMINANCE	
Test Number	P571647	<b>Downlight</b>								<b>Degrees Vertical</b>	<b>Candela</b>	<b>Zone</b>	<b>Lumens</b>	<b>% Fixture</b>	<b>Average Candela Degrees</b>	<b>Average 0° Luminance</b>
Housing	LD4C15D010					<b>D</b>	<b>FC</b>	<b>L</b>	<b>W</b>	0	635	0-30	471	39.4	37	62135
Module	EU4C10209035					4'	39.7	4.5	4.2	5	639	0-40	724	60.5	45	48734
Trim	4LBLWWH					7'	13	8	7.6	15	639	0-60	1084	90.6	55	37269
Lumens	1196					9'	7.8	10.2	9.8	25	586	0-90	1196	100	65	29099
Efficacy	75.7 Lm/W					13'	3.8	14.8	14	35	441	90-180	0	0	75	20268
SC	1.09					16'	2.5	18.3	17.4	45	280	0-180	1196	100	85	5497
UGR	26.5									55	174					
										65	100					
										75	43					
										85	4					
										90	0					

## Photometric Data

[View IES files](#)

MEDIUM BEAM 45° CUTOFF 55° BEAM (H)	CANDLEPOWER DISTRIBUTION	CONE OF LIGHT	CANDELA TABLE	ZONAL LUMEN SUMMARY	LUMINANCE																																																																																			
Test Number: P571648 Housing: LD4C15D010 Module: EU4C10209035 Trim: 4LBMDH Lumens: 1113 Efficacy: 70.4 Lm/W SC: 0.86 UGR: 9.5	<b>Downlight</b> 	<table border="1"> <thead> <tr> <th>D</th> <th>FC</th> <th>L</th> <th>W</th> </tr> </thead> <tbody> <tr><td>4'</td><td>83.8</td><td>3.4</td><td>3.4</td></tr> <tr><td>7'</td><td>27.4</td><td>6</td><td>6</td></tr> <tr><td>9'</td><td>16.6</td><td>7.6</td><td>7.6</td></tr> <tr><td>13'</td><td>7.9</td><td>11</td><td>11</td></tr> <tr><td>16'</td><td>5.2</td><td>13.6</td><td>13.6</td></tr> </tbody> </table>	D	FC	L	W	4'	83.8	3.4	3.4	7'	27.4	6	6	9'	16.6	7.6	7.6	13'	7.9	11	11	16'	5.2	13.6	13.6	<table border="1"> <thead> <tr> <th>Degrees Vertical</th> <th>Candela</th> </tr> </thead> <tbody> <tr><td>0</td><td>1341</td></tr> <tr><td>5</td><td>1318</td></tr> <tr><td>15</td><td>1127</td></tr> <tr><td>25</td><td>791</td></tr> <tr><td>35</td><td>337</td></tr> <tr><td>45</td><td>91</td></tr> <tr><td>55</td><td>20</td></tr> <tr><td>65</td><td>7</td></tr> <tr><td>75</td><td>2</td></tr> <tr><td>85</td><td>0</td></tr> <tr><td>90</td><td>0</td></tr> </tbody> </table>	Degrees Vertical	Candela	0	1341	5	1318	15	1127	25	791	35	337	45	91	55	20	65	7	75	2	85	0	90	0	<table border="1"> <thead> <tr> <th>Zone</th> <th>Lumens</th> <th>% Fixture</th> </tr> </thead> <tbody> <tr><td>0-30</td><td>793</td><td>71.3</td></tr> <tr><td>0-40</td><td>1008</td><td>90.6</td></tr> <tr><td>0-60</td><td>1103</td><td>99.1</td></tr> <tr><td>0-90</td><td>1113</td><td>100</td></tr> <tr><td>90-180</td><td>0</td><td>0</td></tr> <tr><td>0-180</td><td>1113</td><td>100</td></tr> </tbody> </table>	Zone	Lumens	% Fixture	0-30	793	71.3	0-40	1008	90.6	0-60	1103	99.1	0-90	1113	100	90-180	0	0	0-180	1113	100	<table border="1"> <thead> <tr> <th>Average Candela Degrees</th> <th>Average 0° Luminance</th> </tr> </thead> <tbody> <tr><td>37</td><td>41780</td></tr> <tr><td>45</td><td>15758</td></tr> <tr><td>55</td><td>4284</td></tr> <tr><td>65</td><td>2064</td></tr> <tr><td>75</td><td>1044</td></tr> <tr><td>85</td><td>423</td></tr> </tbody> </table>	Average Candela Degrees	Average 0° Luminance	37	41780	45	15758	55	4284	65	2064	75	1044	85	423
D	FC	L	W																																																																																					
4'	83.8	3.4	3.4																																																																																					
7'	27.4	6	6																																																																																					
9'	16.6	7.6	7.6																																																																																					
13'	7.9	11	11																																																																																					
16'	5.2	13.6	13.6																																																																																					
Degrees Vertical	Candela																																																																																							
0	1341																																																																																							
5	1318																																																																																							
15	1127																																																																																							
25	791																																																																																							
35	337																																																																																							
45	91																																																																																							
55	20																																																																																							
65	7																																																																																							
75	2																																																																																							
85	0																																																																																							
90	0																																																																																							
Zone	Lumens	% Fixture																																																																																						
0-30	793	71.3																																																																																						
0-40	1008	90.6																																																																																						
0-60	1103	99.1																																																																																						
0-90	1113	100																																																																																						
90-180	0	0																																																																																						
0-180	1113	100																																																																																						
Average Candela Degrees	Average 0° Luminance																																																																																							
37	41780																																																																																							
45	15758																																																																																							
55	4284																																																																																							
65	2064																																																																																							
75	1044																																																																																							
85	423																																																																																							

MEDIUM BEAM 45° CUTOFF 50° BEAM (LI)	CANDLEPOWER DISTRIBUTION	CONE OF LIGHT	CANDELA TABLE	ZONAL LUMEN SUMMARY	LUMINANCE																																																																																			
Test Number: P571649 Housing: LD4C15D010 Module: EU4C10209035 Trim: 4LBMDLI Lumens: 1294 Efficacy: 81.9 Lm/W SC: 0.84 UGR: 0.4	<b>Downlight</b> 	<table border="1"> <thead> <tr> <th>D</th> <th>FC</th> <th>L</th> <th>W</th> </tr> </thead> <tbody> <tr><td>4'</td><td>108.2</td><td>3.2</td><td>3.2</td></tr> <tr><td>7'</td><td>35.3</td><td>5.6</td><td>5.6</td></tr> <tr><td>9'</td><td>21.4</td><td>7.4</td><td>7.4</td></tr> <tr><td>13'</td><td>10.2</td><td>10.6</td><td>10.6</td></tr> <tr><td>16'</td><td>6.8</td><td>13.2</td><td>13.2</td></tr> </tbody> </table>	D	FC	L	W	4'	108.2	3.2	3.2	7'	35.3	5.6	5.6	9'	21.4	7.4	7.4	13'	10.2	10.6	10.6	16'	6.8	13.2	13.2	<table border="1"> <thead> <tr> <th>Degrees Vertical</th> <th>Candela</th> </tr> </thead> <tbody> <tr><td>0</td><td>1700</td></tr> <tr><td>5</td><td>1751</td></tr> <tr><td>15</td><td>1545</td></tr> <tr><td>25</td><td>945</td></tr> <tr><td>35</td><td>323</td></tr> <tr><td>45</td><td>47</td></tr> <tr><td>55</td><td>6</td></tr> <tr><td>65</td><td>2</td></tr> <tr><td>75</td><td>1</td></tr> <tr><td>85</td><td>0</td></tr> <tr><td>90</td><td>0</td></tr> </tbody> </table>	Degrees Vertical	Candela	0	1700	5	1751	15	1545	25	945	35	323	45	47	55	6	65	2	75	1	85	0	90	0	<table border="1"> <thead> <tr> <th>Zone</th> <th>Lumens</th> <th>% Fixture</th> </tr> </thead> <tbody> <tr><td>0-30</td><td>1023</td><td>79.1</td></tr> <tr><td>0-40</td><td>1243</td><td>96</td></tr> <tr><td>0-60</td><td>1291</td><td>99.8</td></tr> <tr><td>0-90</td><td>1294</td><td>100</td></tr> <tr><td>90-180</td><td>0</td><td>0</td></tr> <tr><td>0-180</td><td>1294</td><td>100</td></tr> </tbody> </table>	Zone	Lumens	% Fixture	0-30	1023	79.1	0-40	1243	96	0-60	1291	99.8	0-90	1294	100	90-180	0	0	0-180	1294	100	<table border="1"> <thead> <tr> <th>Average Candela Degrees</th> <th>Average 0° Luminance</th> </tr> </thead> <tbody> <tr><td>37</td><td>36556</td></tr> <tr><td>45</td><td>8096</td></tr> <tr><td>55</td><td>1199</td></tr> <tr><td>65</td><td>640</td></tr> <tr><td>75</td><td>285</td></tr> <tr><td>85</td><td>0</td></tr> </tbody> </table>	Average Candela Degrees	Average 0° Luminance	37	36556	45	8096	55	1199	65	640	75	285	85	0
D	FC	L	W																																																																																					
4'	108.2	3.2	3.2																																																																																					
7'	35.3	5.6	5.6																																																																																					
9'	21.4	7.4	7.4																																																																																					
13'	10.2	10.6	10.6																																																																																					
16'	6.8	13.2	13.2																																																																																					
Degrees Vertical	Candela																																																																																							
0	1700																																																																																							
5	1751																																																																																							
15	1545																																																																																							
25	945																																																																																							
35	323																																																																																							
45	47																																																																																							
55	6																																																																																							
65	2																																																																																							
75	1																																																																																							
85	0																																																																																							
90	0																																																																																							
Zone	Lumens	% Fixture																																																																																						
0-30	1023	79.1																																																																																						
0-40	1243	96																																																																																						
0-60	1291	99.8																																																																																						
0-90	1294	100																																																																																						
90-180	0	0																																																																																						
0-180	1294	100																																																																																						
Average Candela Degrees	Average 0° Luminance																																																																																							
37	36556																																																																																							
45	8096																																																																																							
55	1199																																																																																							
65	640																																																																																							
75	285																																																																																							
85	0																																																																																							

### Photometric Multipliers (Nominal Lumen Values)

250 Lumen	500 Lumen	800 Lumen	1000 Lumen	1500 Lumen	2000 Lumen	2500 Lumen	3000 Lumen	3500 Lumen
0.22	0.42	0.57	0.65	1.00	1.29	1.62	1.90	2.25

4000 Lumen	4500 Lumen	5000 Lumen	5500 Lumen	6000 Lumen	6500 Lumen	7000 Lumen	7500 Lumen
2.61	3.02	3.42	3.82	4.13	4.32	4.54	5.34

Multipliers for relative lumen values with other series models.

### CCT Multipliers – 90CRI

2400K	2700K	3000K	3500K	4000K	5000K
0.912	0.949	0.986	1	1.001	1.022

Multipliers for relative lumen values with other series color temperatures.

### CCT Multipliers – 97CRI

2700K	3000K	3500K	4000K	5000K
0.889	0.955	1	1.016	1.07

Multipliers for relative lumen values with other series color temperatures.

### Color Finish Multipliers (from H = Semi Specular Clear)

Finish code	LI	H	WMH	WH	GPH	B	MW
Finish	Specular Clear	Semi-Specular Clear	Warm Haze	Wheat	Graphite Haze	Specular Black	Matte White
Multiplier	1.25	1.00	1.02	1.02	0.72	0.55	0.95

Multipliers for relative lumen values with other color finishes.

## Connected Systems

### WaveLinx LITE - WLST Tilemount Sensor

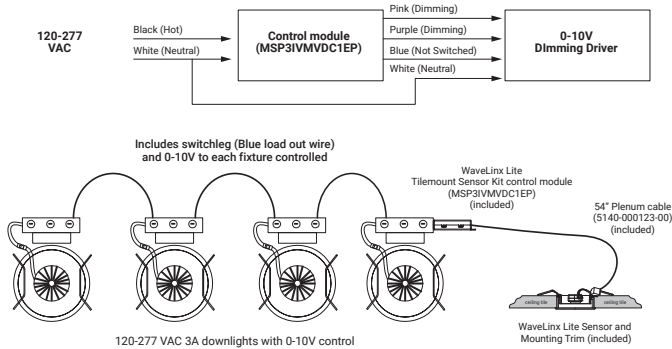
WaveLinx LITE devices only compatible with the WaveLinx LITE system.



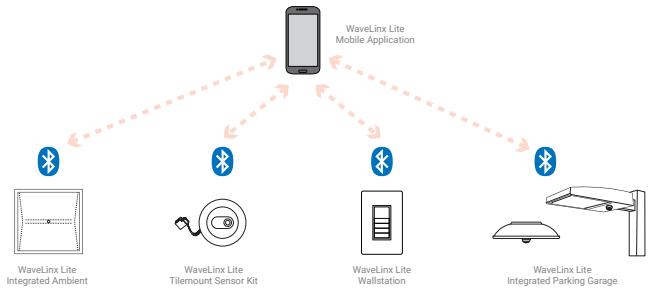
- Intuitive Android™ or Apple® iOS® app for basic system code compliant set up and configuration via Bluetooth
- Up to 28 unique areas per project site (WaveLinx LITE Bluetooth network)
- Up to 50 devices for an area, any one of 16 control zones, up to 6 occupancy sets, and custom lighting scenes
- Automatic occupancy or vacancy, sensor sensitivity, daylight dimming, etc. configurable through the app
- Refer to the WaveLinx system specifications for details



#### WaveLinx LITE WLST Tilemount Wiring Diagram



#### WaveLinx LITE Bluetooth Enabled System



### WaveLinx PRO Wireless – WPST Tilemount Sensor

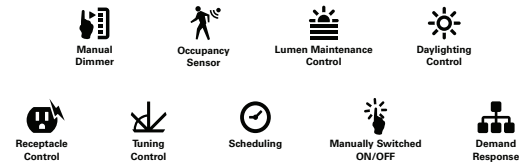
WaveLinx PRO devices only compatible with the WaveLinx PRO system.



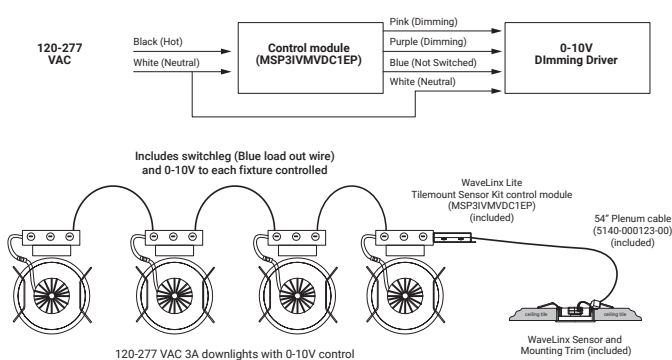
- WaveLinx PRO Wireless functionality configures zones and customizes settings from one secure mobile app
- Automatic code commissioning that meets the strictest codes
- Fixtures and sensors integrate with Wireless Area Controller, Wall Stations, and Control Devices
- Stand-Along Offices or Entire Building Network Installations



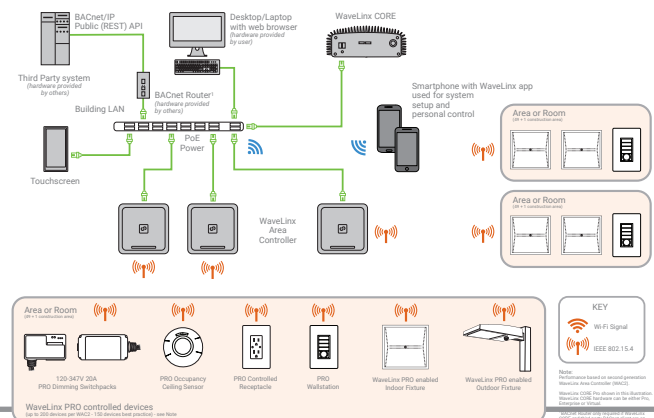
#### WaveLinx mobile app settings



#### WaveLinx PRO WPST Tilemount Wiring Diagram



#### WaveLinx CORE Building Management Integration



## Connected Solutions



### WaveLinx LITE Wireless Node - WLN

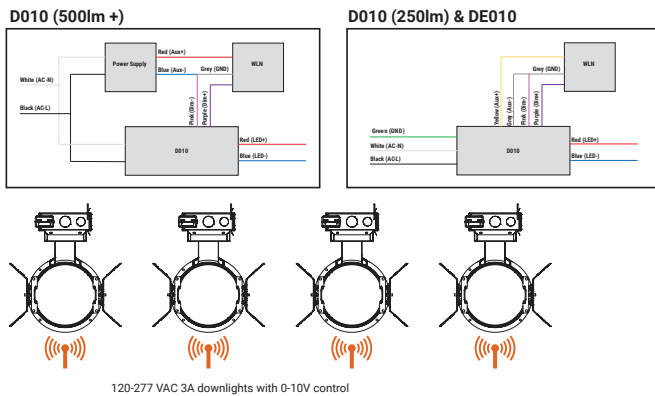
WaveLinx LITE devices only compatible with the WaveLinx LITE system.

- Intuitive Android™ or Apple® iOS® app for basic system code compliant set up and configuration via Bluetooth
- Up to 28 unique areas per project site (WaveLinx LITE Bluetooth network)
- Up to 50 devices for an area, any one of 16 control zones, up to 6 occupancy sets, and custom lighting scenes
- Refer to the WaveLinx system specifications for details
- Not available with BioUp or Tunable White

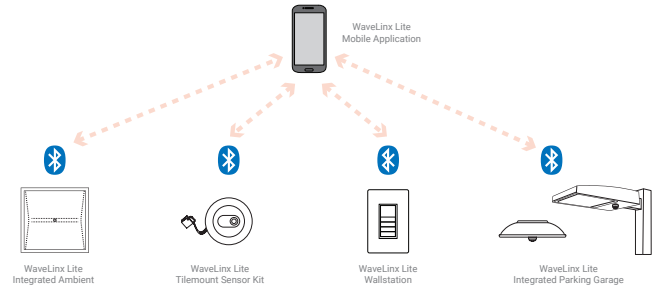
#### WaveLinx mobile app settings



#### WaveLinx LITE Wireless Node (WLN) Wiring Diagram



#### WaveLinx LITE Bluetooth Enabled System



### WaveLinx PRO Wireless Node - WPN

WaveLinx PRO devices only compatible with the WaveLinx PRO system.



- WaveLinx Wireless functionality configures zones and customizes settings from one secure mobile app
- Automatic code commissioning that meets the strictest codes
- Fixtures and sensors integrate with WaveLinx Area Controller, Wall Stations, and Control Devices
- Stand-Alone Offices or Entire Building Network Installations

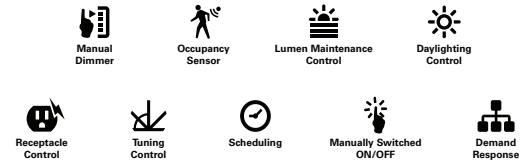
**Downlights with wireless communication**  
Highly efficient LED fixtures

**WaveLinx Area Controller**  
Provides centralized coordination of multiple area control options

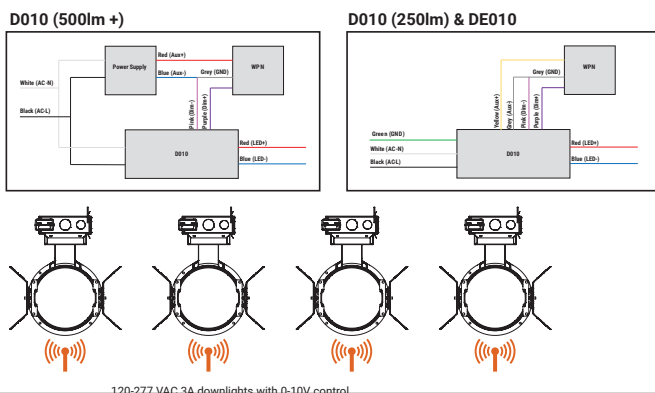
**Wireless Wall Station/Receptacle**  
Provides customized wireless control of each area

**Mobile Applications**  
Provides personalized, local control from a tablet or smartphone

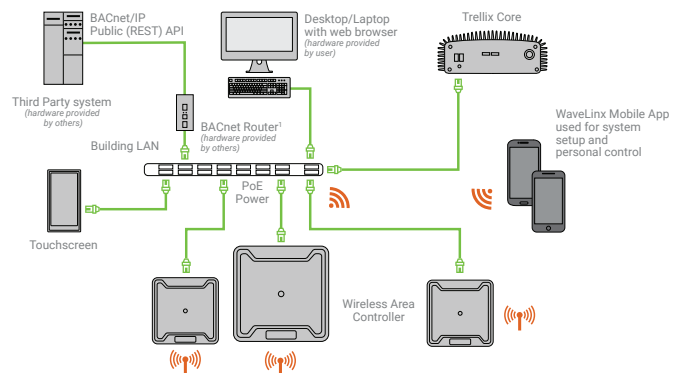
#### WaveLinx mobile app settings



#### WaveLinx PRO Wireless Node (WPN) Wiring Diagram



#### WaveLinx CORE Building Management Integration



## Multi-line Order Information

SAMPLE ORDER NUMBER: **LD4C10D010TRIEM14** (All components may ship separately)

Invoice will indicate separate fixture components (housing, trim, module) and may ship from multiple CLS facilities in separate cartons.



Domestic Preferences <sup>(1)</sup>	Housing	Lumens <sup>(2)</sup>		
[Blank]=Standard BAA=Buy American Act TAA=Trade Agreements Act	LD4C=LED Downlight 4-inch Nominal Aperture LD4CCP=LED Downlight 4-inch Nominal Aperture, Chicago Plenum	02=250 lumens 05=500 lumens 08=800 lumens 10=1000 lumens 15=1500 lumens 20=2000 lumens	25=2500 lumens 30=3000 lumens 35=3500 lumens 40=4000 lumens 45=4500 lumens <sup>(3)</sup> 50=5000 lumens <sup>(3)</sup>	55=5500 lumens <sup>(3)</sup> 60=6000 lumens <sup>(3)</sup> 65=6500 lumens <sup>(3)</sup> 70=7000 lumens <sup>(3)</sup> 75=7500 lumens <sup>(3)</sup>

Voltage	Driver	Driver Options
<b>Blank</b> = 120-277V <b>1</b> = 120V Specify as noted in driver section <b>2</b> = 277V Specify as noted in driver section <b>3</b> = 347V (integral driver with D010 800-4000 lumens) all other integral drivers include step down transformer	<b>D010</b> = 0-10V 1% dimming 500-7000 lumens with integral driver   <b>Specify voltage with 7500 lumens</b> <b>D010W</b> = Fixed, Wired 0-10V 1% dimming 500-7000 lumens with integral driver   <b>Specify voltage with 7500 lumens (BAA only)</b> <b>1 driver:</b> 500-7000 / <b>2 drivers:</b> 7500	<b>Blank</b> =Integral driver <b>R</b> =Remote driver (offered with single driver, order remote driver separately), (not available with CP) <b>PD</b> =Magnetic Plug in Driver (offered with single driver) <sup>(9)</sup>
	<b>D010TR</b> =0-10V or (120V) phase cut 1% dimming 250-7500 lumens with integral driver   <b>Specify voltage with 5000-7500 lumens</b> <b>1 driver:</b> 250-4500 / <b>2 drivers:</b> 5000-7500	
	<b>DE010</b> = 0-10V linear 0.1% dimming 500-7000 lumens with integral driver   <b>Specify voltage with 7500 lumens</b> <b>1 driver:</b> 500-7000 / <b>2 drivers:</b> 7500	
	<b>D5LT</b> = DALI T6 Logarithmic 0.1% Dimming 500-7000 lumens with integral driver   <b>Specify voltage with 7500 lumens</b> <b>1 driver:</b> 500-7000 / <b>2 drivers:</b> 7500	
	<b>DMX</b> = DMX/RDM Logarithmic 0.1% Dimming 800-7500 with integral driver   <b>Specify voltage with 5000 lumens and above</b> <sup>(14)</sup> <b>1 driver:</b> 800-4500 / <b>2 drivers:</b> 5000-7500	
	<b>DMXC5</b> = DMX/RDM Logarithmic 0.1% Dimming with RJ45 connection 800-7500 with integral driver   <b>Specify voltage with 5000 lumens and above</b> <sup>(14)</sup> <b>1 driver:</b> 800-4500 / <b>2 drivers:</b> 5000-7500	
<b>DLE</b> = Lutron Ecosystem dimming 1-100% 800-7500 lumens with integral driver   <b>Specify voltage with 4000 lumens and above</b> <b>1 driver:</b> 800-3500 / <b>2 drivers:</b> 4000-7500		
<b>DLV</b> = Low voltage dimming 1-100% for use with DLVP system, 800-3000 lumens <sup>(9)</sup>		

Options <sup>(6)</sup>		
<b>EMBOD</b> =Bodine® Emergency Module with Remote Test Switch <sup>(10)</sup> <b>EMBOD6ST</b> =Bodine® 6W Self Test Emergency Module with Remote Test Switch <b>EM7</b> =7W Emergency Module with Remote Test Switch <b>EM14</b> =14W Emergency Module with Remote Test Switch <b>EM14RSD</b> =14W Self Diagnostic Replaceable Emergency Battery Pack with Integral Test Switch <b>EMBOD7ST</b> =Bodine® Self Test Emergency Module <sup>(10)</sup> <b>IEMBOD</b> =Bodine® Emergency Module with Integral Test Switch <sup>(10) (22)</sup>	<b>IEM7</b> =7W Emergency Module with Integral Test Switch <sup>(22)</sup> <b>IEM14</b> =14W Emergency Module with Integral Test Switch <sup>(22)</sup> <b>IEM14RSD</b> =14W Self Diagnostic Replaceable Emergency Battery Pack with Remote Test Switch <sup>(22)</sup> <b>IEMBOD6ST</b> =Bodine® 6W Self Test Emergency Module with Integral Test Switch <sup>(4)</sup> <b>EMV7</b> =7W Low Voltage Emergency Module with Remote Test Switch <sup>(7)</sup> <b>EMV14</b> =14W Low Voltage Emergency Module with Remote Test Switch <sup>(7)</sup> <b>ETRD</b> =Emergency transfer device <sup>(81)</sup>	<b>WPST</b> =Factory installed WaveLinX PRO Sensor Kit <sup>(11) (13)</sup> <b>WLST</b> =Factory installed WaveLinX LITE Sensor Kit <sup>(11) (12)</sup> <b>WPN</b> = WaveLinX PRO Wireless Node without Sensor <sup>(34) (37)</sup> <b>WLN</b> = WaveLinX LITE Wireless Node without Sensor <sup>(36) (37)</sup>  <b>MB</b> = Matte Black Painted Plaster Frame

SAMPLE ORDER NUMBER: **EU4C10209035**

Domestic Preferences <sup>(1)</sup>	Power Module	Lumen Levels <sup>(2)</sup>	CRI <sup>(2)</sup>	Color	
[Blank]=Standard BAA=Buy American Act TAA=Trade Agreements Act	EU4C=4-inch Universal LED Module	<b>For use with one driver</b> <b>0208IC</b> =250, 500, 800 lumens, IC Rated (for use with all drivers, min 500 lumen with DE010 and D5LT, min 800 lumens with DLVP, Lutron and DMX) <b>1020</b> = 1000, 1500, 2000 lumens <b>1015IC</b> =1000, 1500 lumens IC Rated <b>2540</b> =2500, 3000, 3500, 4000 lumens (For use with Lutron 3000-3500, DLVP 3000 lumens, DMX, D010, D010TR, D5LT and DE010 3000-4000) <b>4560</b> =4500, 5000, 5500, 6000 lumens (For use with DMX and D010TR 4500 lumens, D010, D5LT and DE010 4500-6000) <sup>(3)</sup> <b>6570</b> =6500, 7000 lumens (For use with D010, D5LT and DE010) <sup>(3)</sup>  <b>For use with two drivers</b> <b>4075</b> =4000, 4500, 5000, 5500, 6000, 6500, 7000, 7500 lumens (For use with Lutron 4000-7500, D010TR & DMX 5000, D010, D5LT & DE010 7500 lumen) <sup>(3)</sup>	<b>90</b> =90 CRI Minimum <b>97</b> =97 CRI Minimum	<b>90 CRI</b> <b>24</b> =2400K <b>27</b> =2700K <b>30</b> =3000K <b>35</b> =3500K <b>40</b> =4000K <b>50</b> =5000K	<b>97 CRI</b> <b>27</b> =2700K <b>30</b> =3000K

Multi-line Order Information

SAMPLE ORDER NUMBER: 4LBM2H

Domestic Preferences <sup>(1)</sup>	Trim	Reflector	Flange	Finish	Options	
[Blank]=Standard BAA=Buy American Act	4LB=4" LED	N=Narrow, Spun Aluminum <sup>(29)</sup> M=50° Cutoff, Medium Beam Reflector, Spun Aluminum MD=45° Cutoff, Medium Beam Reflector, Spun Aluminum W=Wide, Spun Aluminum S=Shallow, Spun Aluminum HY=Hyperbolic medium beam <sup>(29) (35)</sup> PS=Non-Conductive Shallow (dead front), white <sup>(16) (17)</sup> CS=Cast Shallow, Die Cast Aluminum BA= Spun Aluminum Baffle <sup>(24)</sup>	<b>Wall Wash</b> SWN=Single wall wash, spun aluminum DWN=Double wall wash, spun aluminum CW=Corner wall wash, spun aluminum MDSW=45° Cutoff, Single Wall Wash, Spun Aluminum MDDW= 45° Cutoff, Double Wall Wash, Spun Aluminum LSWW=Lensed single wall wash, spun aluminum LDWW=Lensed double wall wash, spun aluminum	0=White polymer trim ring 1=Self flanged <sup>(18)</sup> 2=White painted self flanged 4=Knife edge rimless use with die cast only <sup>(19)</sup>	LI=Specular Clear <sup>(20)</sup> H=Semi-Specular Clear <sup>(20)</sup> WMH=Warm Haze <sup>(20)</sup> WH=Wheat <sup>(20)</sup> GPH=Graphite Haze <sup>(20)</sup> B=Specular Black <sup>(20)</sup> MW=Matte White MB=Matte Black <sup>(21)</sup> MMS=Matte Metallic Silver <sup>(21)</sup>	E=Integral Emergency Test Switch Hole <sup>(22)</sup> EM6=Integral Emergency Test Switch Hole <sup>(23)</sup> For use with: • Available with narrow (N), medium (M) and medium 45° (MD)

REQUIRED if Remote Driver (R) is specified

SAMPLE ORDER NUMBER: RC10010D010TREM7

Domestic Preferences <sup>(1)</sup>	Remote Drivers	Lumens <sup>(2) (14)</sup>		
[Blank]=Standard BAA=Buy American Act TAA=Trade Agreements Act	RC100=Remote 100ft RC75=Remote 75ft RC50=Remote 50ft RC25=Remote 25ft RC15=Remote 15ft RC5=Remote 5ft RC2=Remote 2ft	02=250 lumens 05=500 lumens 08=800 lumens 10=1000 lumens 15=1500 lumens	20=2000 lumens 25=2500 lumens 30=3000 lumens 35=3500 lumens 40=4000 lumens 45=4500 lumens	50=5000 lumens 55=5500 lumens 60=6000 lumens 65=6500 lumens 70=7000 lumens

Driver
D010 = 0-10V Dimming, 1% to 100%, 120V-277V, 500-3000 lumens 1D010 = 0-10V Dimming, 1% to 100%, 120V, 3500-7000 lumens 2D010 = 0-10V Dimming, 1% to 100%, 277V, 3500-7000 lumens 3D010 = 0-10V Dimming, 1% to 100%, 347V dedicated drivers for 800 to 3000 lumens; 500, 3500-7000 lumens use step down transformer
D010TR = 0-10V Dimming, 1% to 100%, 120V-277V or 120V line voltage dimming, 120V-277V, 250- 3000 lumens 1D010TR = 0-10V or line voltage Dimming, 1% to 100%, 120V, 3500-4500 lumens 2D010TR = 0-10V Dimming, 1% to 100%, 277V, 3500-4500 lumens 3D010TR = 0-10V or line voltage Dimming, 1% to 100% 347V step down transformer, 250-4500 lumens
DE010 = 0-10V Dimming, 0.1% to 100%, 120V-277V, 500-3000 lumens 1DE010 = 0-10V Dimming, 0.1% to 100%, 120V, 3500-7,000 lumens 2DE010 = 0-10V Dimming, 0.1% to 100%, 277V, 3500-7,000 lumens 3DE010 = 0-10V Dimming, 0.1% to 100%, 347V step down transformer, 500-7,000 lumens
D5LT = Fifth Light® (DALI T6) Logarithmic Dimming, 0.1% to 100%, 120V-277V, 500-3000 lumens 1D5LT = Fifth Light® (DALI T6) Logarithmic Dimming, 0.1% to 100%, 120V, 3500-7,000 lumens 2D5LT = Fifth Light® (DALI T6) Logarithmic Dimming, 0.1% to 100%, 277V, 3500-7,000 lumens 3D5LT = Fifth Light® (DALI T6) Logarithmic Dimming, 0.1% to 100% 347V step down transformer, 500-7,000 lumens
DMX = DMX/RDM Logarithmic Dimming, 0.1% to 100%, 120V-277V, 800-3000 lumens <sup>(5)</sup> 1DMX=DMX/RDM Logarithmic Dimming, 0.1% to 100%, 120V, 3500-4500 <sup>(5)</sup> 2DMX=DMX/RDM Logarithmic Dimming, 0.1% to 100%, 277V, 3500-4500 <sup>(5)</sup> 3DMX=DMX/RDM Logarithmic Dimming, 0.1% to 100%, 347V step down transformer, 800-4500 <sup>(5)</sup>
DMXC5 = DMX/RDM Logarithmic Dimming, 0.1% to 100%, 120V-277V up to 800-3000 lumens, RJ45 Connection <sup>(5)</sup> 1DMXC5=DMX/RDM Logarithmic Dimming, 0.1% to 100%, 120V, 3500-4500 lumens, RJ45 Connection <sup>(5)</sup> 2DMXC5=DMX/RDM Logarithmic Dimming, 0.1% to 100%, 277V, 3500-4500 lumens, RJ45 Connection <sup>(5)</sup> 3DMXC5=DMX/RDM Logarithmic Dimming, 0.1% to 100%, 347V step down transformer, 800-4500 lumens, RJ45 Connection <sup>(5)</sup>
DLE = Lutron Ecosystem dimming 1% to 100%, 120V-277V, 25' Max remote length, 800-3000 lumens 1DLE=Lutron Ecosystem dimming 1% to 100%, 120V, 25' Max remote length, 3500 lumens 2DLE=Lutron Ecosystem dimming 1% to 100%, 277V, 25' Max remote length, 3500 lumens 3DLE=Lutron Ecosystem dimming 1% to 100%, 347V, step down transformer, 25' Max remote length, 800-3500 lumens
DLV = Low voltage dimming driver (1-100%) for use with DLVP system, 800-3000 lumens <sup>(6)</sup>

Options	Controls
EMBOD=Bodine® Emergency Module with Remote Test Switch <sup>(10)</sup> EMBOD6ST=Bodine® 6W Self Test Emergency Module with Remote Test Switch EM7=7W Emergency Module with Remote Test Switch EM14=14W Emergency Module with Remote Test Switch	EMBOD7ST=Bodine® Self Test Emergency Module with Remote Test Switch <sup>(10)</sup> EMV7=7W Low Voltage Emergency Module with Remote Test Switch <sup>(7)</sup> EMV14=14W Low Voltage Emergency Module with Remote Test Switch <sup>(7)</sup> ETRD=Emergency transfer device <sup>(31)</sup>
	WPST=Factory installed WaveLinx PRO Sensor Kit <sup>(11) (13)</sup> WLST=Factory installed WaveLinx LITE Sensor Kit <sup>(11) (12)</sup> WPN = WaveLinx PRO Wireless Node without Sensor <sup>(34) (37)</sup> WLN = WaveLinx LITE Wireless Node without Sensor <sup>(34) (37)</sup>

## Multi-line Order Information

### Accessories (Order separately) <sup>(25)</sup>

**TRM4P**=White metal trim ring <sup>(26)</sup>  
**LGSKT4IP66**=IP66 Gasket Kit  
**DT4RF**=4 inch frosted acrylic ring <sup>(28)</sup>

**PRR4**=Rimless Plaster Ring <sup>(26)</sup>  
**RKP4**=Knife Edge plaster Ring <sup>(27)</sup>

**RPM4MW**=Rimless Millwork Ring, Matte White <sup>(26)</sup>  
**RPM4MB**=Rimless Millwork Ring, Matte Black <sup>(26)</sup>  
**RKM4MW**=Knife Edge Millwork Ring, Matte White <sup>(27)</sup>  
**RKM4MB**=Knife Edge Millwork Ring, Matte Black <sup>(27)</sup>

**HSA4**=Slope Adapter for 4" Aperture Housings, Specify Slope <sup>(33)</sup>

#### Connected Lighting Systems <sup>(6)(11)</sup>

**WPST** = Field installed WaveLinX PRO Sensor Kit <sup>(13)</sup>  
**WLST** = Field installed WaveLinX LITE Sensor Kit <sup>(12)</sup>

#### Transformers

**H347**=H347 for 5500 lumens and below

#### Bar Hangers

**HB50**=C-channel Bar Hanger, 50" Long, Pair  
**RMB22**=Wood Joist Bar Hanger, 22" Long, Pair  
**HB26** = C-channel Bar Hanger, 26" long, Pair  
**BAA-HB26**=C-channel Bar Hanger, 26" long, Pair, BAA compliant <sup>(1)</sup>  
**TAA-HB26**=C-channel Bar Hanger, 26" Long, Pair, TAA compliant <sup>(1)</sup>

#### Notes:

- Only product configurations with these designated prefixes are built to be compliant with the Buy American Act of 1933 (BAA) or Trade Agreements Act of 1979 (TAA), respectively. Please refer to [DOMESTIC PREFERENCES](#) website for more information. Components shipped separately may be separately analysed under domestic preference requirements. Offered with spun aluminum narrow (N), medium (M), wide (W) trims, and open wall wash (SWN and DWN).
- Nominal Lumens will vary depending on selected color, CRI, driver and reflector finish. Reference [Multiplier tables](#).
- Product is marked spacing. [Reference table on page 4 for the spacing details.](#)
- Available with narrow (N), medium (M) and medium 45° (MD), Shallow (S). Required for use with all IEMBOD6ST, IEM7, IEM14, IEMV7 and IEMV14 housings. Not offered with remote driver.
- DMX fixtures default to full on upon loss of DMX signal.
- Not available with Chicago Plenum.
- ULus listed only
- Offered with
  - D010, D5LT, DE010 up to 7000 lumens
  - D010TR, DMX up to 4500 lumens
  - DLE, DL2 up to 3500 lumens
- Not available with 5500 lumens
- Not available for 6500-7000 lumens

- Refer to system specifications for additional information, features, and benefits. Order either factory installed option or accessory. Use with 0-10V driver.
- WLST = WaveLinX LITE tilemount sensor kit for daylight dimming, PIR motion sensing, use with D010 or DE010 only (Refer to WaveLinX LITE system specifications).
- WPST = WaveLinX PRO wireless sensor kit for daylight dimming, PIR motion sensing, and optional RLTS - Real Time Location Services, use with D010 or DE010 only.
- IC rated up to 3000 lumens
- Spun aluminum only
- PS available in self-flanged MW finish only
- Offered up to 2000 lumens
- Flange is the same finish as the reflector
- Requires knife edge accessory ring
- Anodized or spun reflectors
- Die cast only
- Available with narrow (N), medium (M) and medium 45 degree (MD) Spun Aluminum trims. Required for use with all IEMBOD, IEM7, IEM14, IEMV7 and IEMV14 housings. Not offered with remote driver.
- Offered with DLVP up to 3000 lumens.
- Black or white paint.
- Accessories sold separately will be separately analyzed under domestic

preference requirements. Consult factory for further information.

- Order trim with polymer trim ring (Consult specification sheet for color ordering information and options).
- Order die cast trim with flange type 4
- Order with self flanged trim.
- Use only with single LED/driver.
- If using remote driver order battery and controls with the remote driver.
- 120V-277V
- Used to bypass local control during outage. Must be used in conjunction with UL 1008 device (provided by others).
- Non-IC
- Not recommended for use with Wall Wash
- WPN = WaveLinX PRO wireless node provides luminaire level control with scene and zone configuration without an integrated sensor; Connects wirelessly with daylight dimming sensor and PIR motion sensor if desired. Use with D010 or DE010 drivers only.
- Offered up to 2000 lumens
- WLN = WaveLinX LITE wireless node provides luminaire level control with scene and zone configuration without an integrated sensor; Connects wirelessly with daylight dimming sensor and PIR motion sensor if desired. Use with D010 or DE010 drivers only.
- Not compatible with 347V or Chicago plenum.
- Required for use with IEMBOD6ST. Not offered with remote driver.