

Project		Catalog #		Type	
Prepared by		Notes		Date	



## Sure-Lites

### EBPLEDSD Series Emergency Battery Packs with Replaceable Battery

14 Watts of Class 2 Power  
Self-Diagnostics  
Factory or Field Installable

#### Typical Applications

Office • Education • Healthcare • Hospitality • Retail • Residential

#### Interactive Menu

- Order Information page 2
- Product Warranty

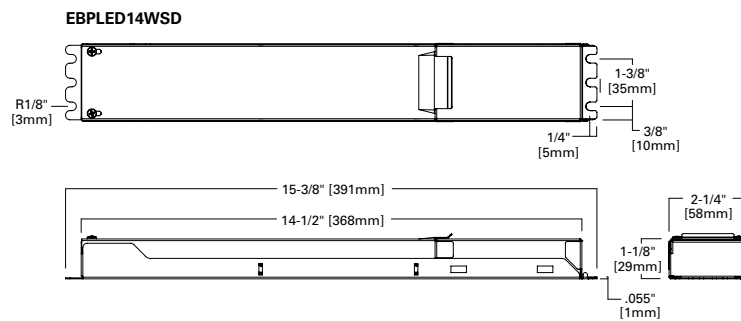
#### Product Certification



#### Top Product Features

- Converts standard LED fixture to an emergency fixture with 90 minutes of run time
- Provides constant 14 watts of output power during power outage
- UL 924 listed for both factory or field install
- Individual battery can be replaced rather than rewiring/changing out the entire emergency battery pack (EBP) which simplifies maintenance and reduces cost
- Self-Diagnostics capability eliminates NFPA required monthly testing
- EZ Key and laser test features simplify installation and maintenance

#### Dimensions



## Order Information

SAMPLE ORDER NUMBER: **EBPLED14WSD**

Series	Output	Self-Diagnostics
EBPLED=LED Emergency Battery Pack	14W=14 Watt	SD=Self-Diagnostics
<b>Note:</b> 14WSD models provided with replaceable batteries.		

## Product Specifications

These products are not for use with sealed and gasketed fixtures.

### Electronic

- Universal voltage input 120 through 277 VAC, 50/60Hz
- Constant power output of 14 Watts
- Automatically senses voltage required within this range: EBPLED14WSD from 16 V to 55 V
- Low-voltage disconnect to protect battery life
- Self-Diagnostics capability eliminates labor intensive NFPA required monthly testing
- Test Button/Indicator Light/Laser Test/External Battery Disconnect
- 0°C to 55°C operation

### Construction

- Steel housing: EBPLED14WSD = 14-1/2"
- Plenum rated test button cable
- Lead wires and 24" flexible metallic conduit provided

### Battery

- Sealed Nickel-Cadmium
- Maintenance-free, Long-life
- Full Recharge Time: 24 hours (max.)
- Battery replacement without requiring EBP or Luminaire rewiring
- 90-minute run time

### Warranty

- Five-year warranty.

### Code Compliance

- UL 924 Classified
- Life Safety NFPA 101
- NEC/OSHA
- Most State and Local Codes
- California Energy Code
- RoHS Compliant

## Technical Data

### Universal Voltage Charger

Unit is supplied with a constant current, switch mode charging circuit which automatically detects the voltage level of the AC input (120V through 277V) and adjusts accordingly. This simplifies the wiring, making it mistake-proof.

### Automatic Switching

The switching circuitry is designed to detect an absence of AC power and automatically switch into emergency operation. Upon restoration of AC power the lamps will automatically switch back to operating from the AC ballast.

### Automatic detection of LED load forward voltage

Unit detects the LED forward voltage required (from 16V to 55V for 14W unit) and adjusts output current to provide constant wattage to the fixture, ensuring compatibility with a wide range of LED fixtures.

### Constant Wattage Output

Unit provides constant power which ensures a consistent illumination while in emergency mode. Fixture lumen output is easily calculated by multiplying the unit wattage by the fixture efficacy (ie lumens/watt) from DLC data.

[www.designlights.org](http://www.designlights.org)

Example:

- EBPLED14WSD = 14W
- DLC EFF = 100 lumens/watt
- EM Lumens = 14W x 100 lumens/watt = 1400 lumens

### Test Button/Indicator Light

Simulates interruption of AC power and illuminates LED fixture. LED charge indicator light indicates battery charger-operation.

### Self-Diagnostics

Automatically tests emergency lighting for 30 seconds once a month and 90 minutes once a year.

### Laser Test

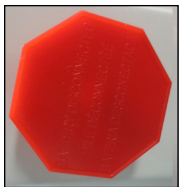
Enables remote testing by utilizing a laser pointer to simulate AC power loss and engagement of emergency operation. Manual testing can be mechanically activated by pushing the test button or optically activated by aiming a laser tester at the test button. The laser detector is located within the test button.

### EZ Key External Battery Disconnect

Prevents the battery from cycling during the construction phase and ensures a full battery charge for C.O. inspection.

### Battery

Replaceable high-temperature nickel-cadmium battery pack is standard.



**EZ key**



**Test Button  
For mechanical  
and laser tester**

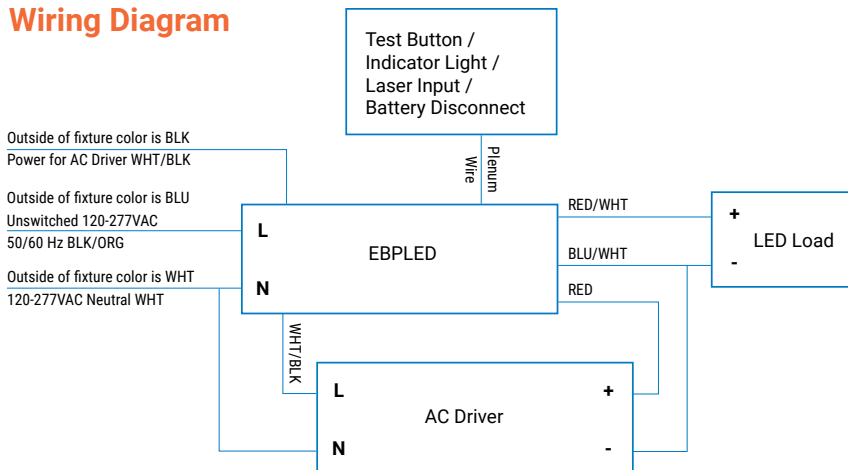


**Laser tester  
Part Number = LASER  
(sold separately)**

## How To Specify

Sure-Lites LED field installable self-diagnostic emergency battery pack with automatic voltage sensing, constant-wattage output, external battery disconnect, laser test capability and replaceable nickel-cadmium battery.

## Wiring Diagram



## Self-Diagnostics Testing Operations

The Sure-Lites Self-Diagnostics is continuously monitoring your emergency fixture, and will signal any failure through the 3-color indicator LED.

### Initial Operation:

When the unit is first powered up it will go into a 24-hour fast charge and the indicator LED will pulse green. Once the unit has fully charged it will perform a self-calibration. After self-calibration, the LED will change to steady green indicating the unit is fully charged and float charging the battery to maintain readiness.

### Automatic Testing:

The unit will perform a battery capacity, lamp/LED, and charge circuit test every 30 days for 30 seconds. During this time, the indicator LED will change to a steady yellow. It will perform a full battery capacity test (90-minute) once per year. During this time, the indicator LED will change to a blinking yellow.

### Manual Testing:

- 10-Second "Installation" test - Press and release the test button once during fast charge (blinking green) to initiate a 10-second quick test. The EBP will switch to emergency mode for 10 seconds allowing the installer to verify proper installation of the unit, and the LED indicator will turn solid yellow.
- 30-Second Test - Press and release the test button once during float charge (steady green). The indicator LED will turn steady yellow to indicate the unit is performing a 30-second test of the batteries and lamps/LEDs.
- 90-Minute Test - Press and release the test button a second time during a 30-second test (steady yellow) to change to a 90-minute test. During this test, the LED indicator will change to blinking yellow, and the circuit will perform a full battery capacity, charge circuit, and LED test.
- Canceling Test - Press and release the test button during the 90-minute test (flashing yellow) to return the fixture to its original state (fast charge or float charge).

### Laser Test:

The EBPLED14WSD are equipped with a Laser Test function that allows the EBP to be manually tested without the need to physically press the test button. Shining a laser pointer in the hole marked "LASERTEST" on the bottom of the unit has the same effect as a press and release of the test button.

### Clearing Failure Codes:

- A battery failure (LED two blink red) can be cleared by replacing the battery. Disconnecting the battery and AC power or performing a full 90-minute discharge will reset the error code, however, it will return if the battery is faulty.
- Charge Circuit (LED three blink red) and lamp/LED failure (LED four blink red) will clear when the unit successfully passes a manual or automatic 30-second test.

### Indicators:

- LED Off - No power to unit, emergency mode.
- LED Steady Green - Unit is fully charged and is float charging the battery to maintain readiness.
- LED Green Pulse - Unit is in a 24-hour fast charge of the battery.
- LED Two Blink Red - Battery has failed a capacity test, or the battery is disconnected. See "Clearing Failure Codes" above.
- LED Three Blink Red - Battery charge circuit has failed. See "Clearing Failure Codes" above.
- LED Four Blink Red - Lamps have burned out, or on an EXIT/Combo, 50% or more of the LEDs have failed. See "Clearing Failure Codes" above.
- LED Steady Yellow - 30-second test or 10-second quick test (Fast Charge only).
- LED Blinking Yellow - 90-minute test.

### Maintenance:

Replace the battery as needed according to ambient conditions. We recommend that the equipment be tested every 30 days and regularly in accordance with local codes.