

Project		Catalog #		Type	
Prepared by		Notes		Date	



Shaper

Shaper Sense™ Square

Pendant Luminaire
Suspended Direct/Indirect

Typical Applications

• Office • Education • Healthcare • Hospitality • Retail • Co-working

Interactive Menu

- Order Information [page 2](#)
- Photometric Data [page 2](#)
- Connected Control [page 3](#)
- Mounting Information [page 4](#)
- Sensor Coverage [page 3](#)
- Product Warranty

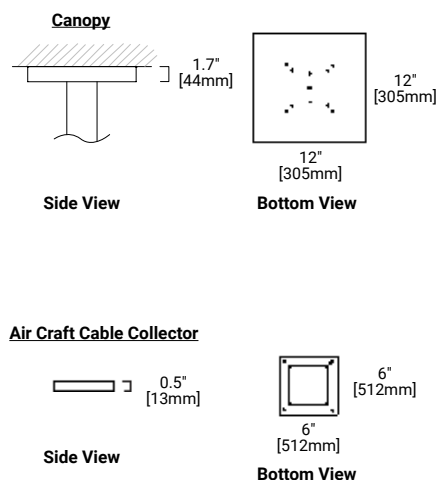
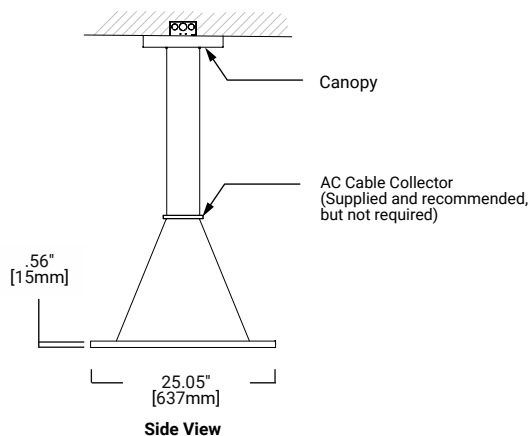
Systems | Certification | Features & Awards



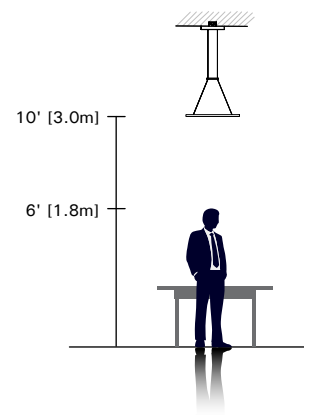
Top Product Features

- Shaper Sense is an award winning and patented acoustic lighting product series that merges the concepts of light and sound absorption. Shaper Sense Square is the light engine for the acoustic products.
- Lighting is created by an edge-lit square LED panel with an array of patterns that produce uniform visual distribution.
- Options to meet Buy American Act requirements

Dimensions



Scale



Order Information

Icon Key: Grey bar denotes available with 10-Day Quick Spec

FIXTURE NUMBER SAMPLE: **ShSe-SQR-1-L40-80-UNV-CNPY-STD**

Domestic Preferences	Series	Shape / Family	Light Level (Lumens Wattage, Color Temp, CRI)	Voltage	Mounting	Dimming	Finish	Controls (optional)
Blank =Standard BAA =Buy American Act	QS-ShSe = Quick Spec Shaper Sense ShSe = Shaper Sense	SQR =Square shaped acoustic light fixture	1-L30-90 =2579 lumens, 30W, 3000K, 90 CRI 1-L35-80 =3206 lumens, 30W, 3500K, 80 CRI 1-L40-80 =3148 lumens, 30W, 4000K, 80 CRI 2-L30-90 =3298 lumens, 39W, 3000K, 90 CRI 2-L35-80 =4104 lumens, 39W, 3500K, 80 CRI 2-L40-80 =4027 lumens, 39W, 4000K, 80 CRI	UNV = Universal Voltage (120-277)	CNPY =Canopy mount (works for surface, open structure, and gypsum ceilings)	STD =0-10V	White	SWTPD1 =Wavelinx Wireless Tile Sensor LWTPD1 =LumaWatt Pro Wireless Tile Sensor
Notes Only product configurations with this designated prefix are built to be compliant with the Buy American Act of 1933 (BAA). Please refer to DOMESTIC PREFERENCES website for more information. Components shipped separately may be separately analyzed under domestic preference requirements.	Notes	Notes	Notes 3000K – only in 90 CRI, 3500K only available in 80 CRI, 4000K only available in 80 CRI.	Notes	Notes	Notes	Notes	Notes

Product Specifications

Construction

- Light Engine is 6063-T5 extruded aluminum and 20 gauge cold rolled steel frame
- Light Engine are supported with max load 132lb cable
- Weight: 7lbs fully assembled

Electrical

- Standard Drivers feature electronic universal voltage (120-277V/ 50-60 Hz), greater than 0.9 power factor
- 20% harmonic distortion, and features ambient temperature of 25°C (77°F). 0-10V dimming standard

LED Optics

- Light Engine is 85% transparent
- LPW 100+ in some 3500K and 4000K configurations
- Light Engine offered in 80 CRI for 3500K and 4000K CCTs, and in 90 CRI for 3000K CCT

Mounting

- Light Engine supported by aircraft cable. 12ft adjustable AC cable supplied
- Recommended minimum height of 15' from AC cable collector to Light Engine

- Driver box assembly can mount to any ceiling type, open structure, gyp., or acoustic tile
- Light Engine can be supported by junction box supporting 50lb load.
- Low voltage cable connects to remote driver box assembly.
- AC Cable Collector recommended but not required

Finish

- Light Engine - Housing is white powder coat paint for superior protection against fade and wear

Compliance

- Light Engine components are UL recognized
- Light Engine are cULus listed for 25°C ambient environments, dry listed
- Light Engine tested per IESNA LM-79
- LM-80 data supplied by LED manufacturer and utilized in TM-21 lumen maintenance projections
- Light Engine is FCC compliant

Environment

- Indoor only, dry listing
- 25°C ambient temperature

Control

- 0-10V dimming standard
- Optional - WaveLinx and Lumawatt Pro wireless control systems

Awards for acoustic Light Fixture, when using Light Engine

- Best of NeoCon : Gold Lighting: Decorative and Hospitality
- 2019 IES Progress Report, selection
- Architect Magazine Spring 2019, selection
- Architectural SSL Magazine, Product Innovation Award (PIA) 2019
- Architectural Products Magazine, Product Innovation Award (PIA), 2019
- LED Magazine, Sapphire Award Finalist

Warranty

- Five year warranty standard

Photometric Data

SHAPER SENSE - SQR @ 3000K / 90 CRI	
Filename	ShSe-SQR-2-L30-90-UNV-STD.ies
Test No.	P284777
Lumcat	ShSe-SQR-2-L30-90-UNV-STD
Lumens	3298 Lm
Watts	38.8 W
LPW	85 Lm/W
CCT	3000K
SC (0/90/45)	5.4 / 3.01 / 3.76
	44% up 56% down

SHAPER SENSE - SQR @ 3500K / 80 CRI	
Filename	ShSe-SQR-2-L35-80-UNV-STD.ies
Test No.	P284778
Lumcat	ShSe-SQR-2-L35-80-UNV-STD
Lumens	4104 Lm
Watts	38.8 W
LPW	105.7 Lm/W
CCT	3500K
SC (0/90/45)	5.4 / 3.01 / 3.76
	44% up 56% down

SHAPER SENSE - SQR @ 4000K / 80 CRI	
Filename	ShSe-SQR-2-L40-80-UNV-STD.ies
Test No.	P284779
Lumcat	ShSe-SQR-2-L40-80-UNV-STD
Lumens	4027 Lm
Watts	38.8 W
LPW	103.8 Lm/W
CCT	4000K
SC (0/90/45)	5.4 / 3.01 / 3.76
	44% up 56% down

Lumen Maintenance

Ambient Temperature	Lumen Maintenance: TM-21 (60,000 Hours)	Theoretical L70 (Hours)
25°C	> 89%	> 60,000

Connected Control (Optional)

WaveLinX (SWPD1) Wireless Sensor LumaWatt Pro (LWIPD1) Ordering Information.

Product Family	Occupancy Technology	Sensing Technology	Coverage Pattern
SWT = WaveLinX Wireless Sensor LWT = LumaWatt Pro Wireless Sensor	P = Passive Infrared	D = Dimming Daylight Harvesting (Closed Loop)	1 = ~ 144 Square Feet

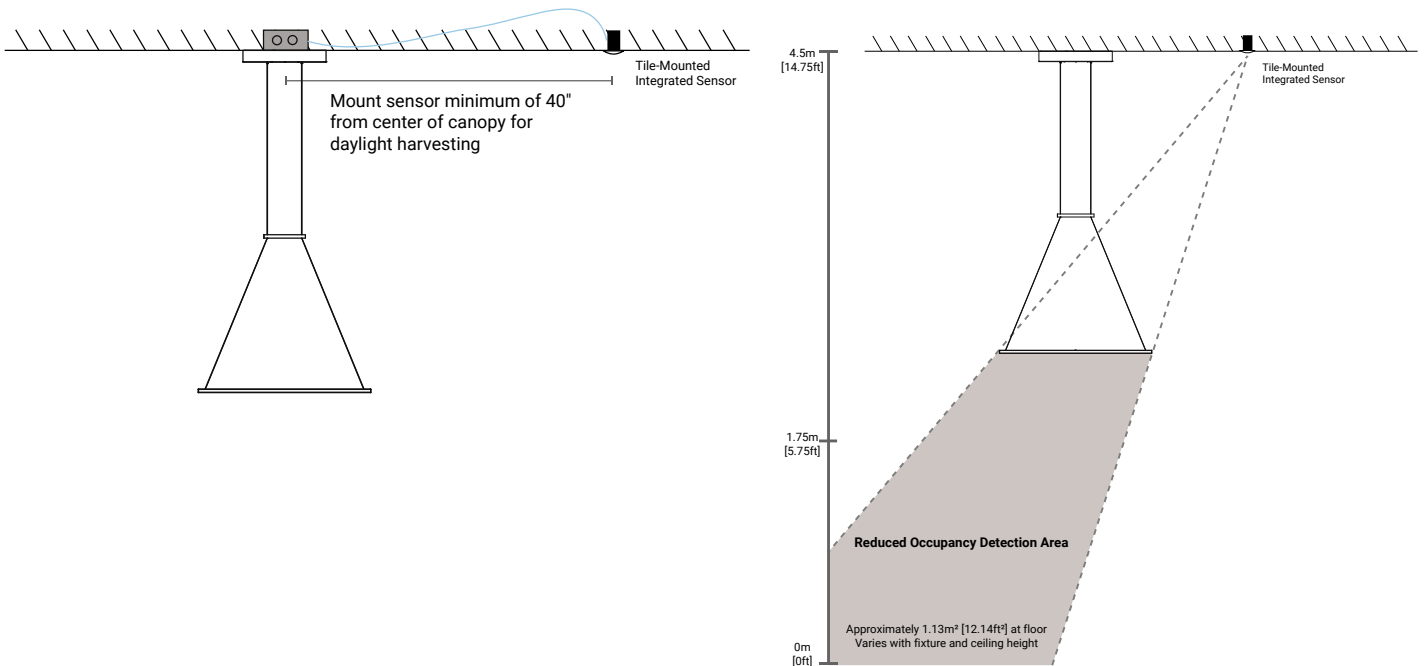
WaveLinX

The WaveLinX Tilemount sensor option is an integral part of the WaveLinX Wireless Connected Lighting System and offers 3 amp relay control and continuous 0-10V dimming of Shaper Sense luminaires. The tilemount sensor provides daylight dimming and control for a single luminaire or can be daisy chained for group luminaire control. The sensor's control module allows simple electrical Junction Box mounting via ½" knock out or direct connection to the junction box attached to the Shaper luminaire. The WaveLinX Tilemount daylight sensor operates on a wireless mesh network based on IEEE 802.15.4 standards and is controlled by a WaveLinX Wireless Area Controller.

LumaWatt Pro

The LumaWatt Pro Tilemount sensor option is field installed to a single luminaire's junction box or daisy chained to a group of luminaires, providing lighting control and sensing in an independent, fault-proof, resilient networks of powerful end-points. Sensors have profiles stored internally containing all of the variables for the application once a configuration is set and is able to manage the fixture without connectivity to the system. The sensors gather data from four on-board inputs: Passive infrared occupancy detection, daylight, temperature, and electrical current use. Wireless gateways communicate with the sensors and transmit the data using industry-standard wired technology to the Energy Manager, for powerful, familiar dashboards of information tailored for access on a connected computer. Energy Managers connect to optional cloud-based applications, maximizing the dense, data-rich sensing within the footprint of the luminaire for management of the building environment, and much more.

Sensor Mounting and Coverage



Mounting Information and Recommendations

