

Project		Catalog #		Type	
Prepared by		Notes		Date	



HALO Commercial

HC56R | HM6R | 62R

6-inch LED retrofit downlight

Typical Applications

Office • Healthcare • Hospitality • Institutional • Mixed-Use/Retail

Interactive Menu

- Order Information page 2
- Product Specifications page 3
- Photometric Data page 4
- Energy & Performance Data page 5
- Connected Systems page 7
- Product Warranty

Product Certification



Product Features



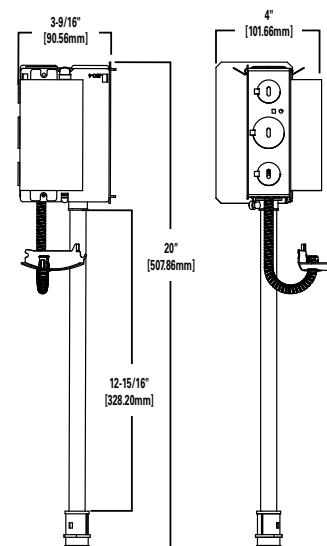
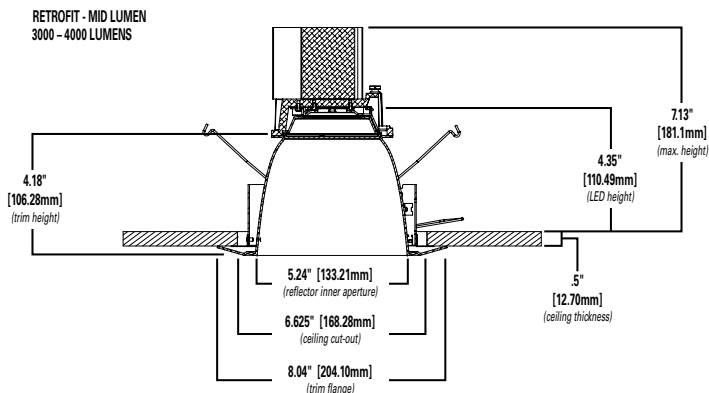
Control Compatibility



Top Product Features

- Remodel/retrofit series; 500 to 6,000 lumens
- Medium beam distribution; Specular, Semi-Specular and White reflector finishes
- 2700K, 3000K, 3500K, 4000K, 5000K CCT; 80 or 90 CRI
- Retrofit 5-7/8" to 6-5/8" apertures
- Oversize reflector flange accommodates range of retrofit apertures
- Universal voltage 120V-277V; Standard 0-10V driver dims to 1%
- Factory installed connected lighting and emergency options

Dimensional and Mounting Details



[additional product diagrams](#)

Order Information

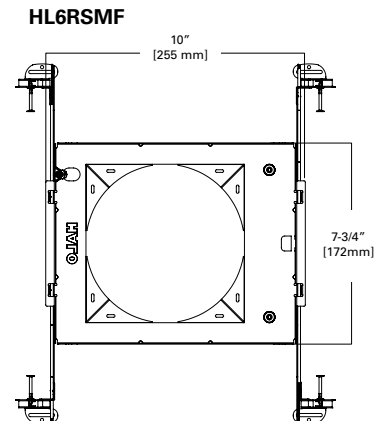
Sample Number: HC56R20D010 – HM6R0525835 – 62RMDC

A complete luminaire consists of a frame/collar, LED module, and reflector (ordered separately)

Frame / Collar	Lumens	Driver Options	Factory Installed Emergency & Connected Lighting Options	Accessories (Order & Install Separately)
HC56R = 6" retrofit kit for 5.875" (5-7/8") to 6.625" (6-5/8") nominal ceiling cutout aperture	05 = 500 lm 07 = 750 lm 10 = 1000 lm 15 = 1500 lm 20 = 2000 lm 25 = 2500 lm 30 = 3000 lm 35 = 3500 lm 40 = 4000 lm 45 = 4500 lm ⁽⁶⁾ 50 = 5000 lm ⁽⁶⁾ 55 = 5500 lm ⁽⁶⁾ 60 = 6000 lm ⁽⁶⁾	D010 =UNV 120-277V, 50/60Hz, 0-10V 1%-100% dimming at 120-277V on 0-10V controls Canada Option 500-5000 lumens: D010347 = 347VAC 50/60Hz 0-10V 1%-100% dimming. For 500, 750, 1000, 1500, 2000, 2500, 3000, 3500, 4000, 4500, 5000lm models only Canada Option 5500-6000 lumens: D010X347 = step down transformer factory installed (with standard "D010" 120V-277V LED driver). For 5500, 6000lm models only	REM7 = 7 watt emergency battery pack with remote test / indicator light, use with D010 only ⁽¹⁾⁽²⁾⁽⁵⁾ REM14 = 14 watt emergency battery pack with remote test / indicator light, use with D010 only ⁽¹⁾⁽²⁾⁽⁵⁾ BOD7ST = 7.5 watt Bodine self-test emergency battery pack with remote test / indicator light, use with D010 only ⁽¹⁾⁽²⁾⁽⁵⁾ WTA = Factory WaveLinX PRO Tilemount Sensor Kit ⁽³⁾ WTK = Factory WaveLinX LITE Tilemount Sensor Kit ⁽⁴⁾ WPN = WaveLinX PRO Wireless Node without Sensor ⁽¹⁰⁾ WLN = WaveLinX LITE Wireless Node without Sensor ⁽¹¹⁾	H347 = 347 to 120V step down transformer, 75VA H347200 = 347 to 120V step down transformer, 200VA sensor kit, for use with D010 driver only WTA = Field WaveLinX PRO Tilemount Sensor Kit ⁽³⁾ WTK = Field WaveLinX LITE Tilemount Sensor Kit ⁽⁴⁾ HL6RSMF = 6" aperture new construction mounting frame with integral wood & T-grid bar hangers, adjust for 8" to 24" wide ⁽⁹⁾
Notes (1) Not available with CP models	Notes (6) Marked Spacing: Center to Center of Adjacent Luminaires = 36" Center of Luminaire to Building Member = 18" Minimum overhead = 0.5	Notes	Notes (1) Not available with CP models (2) Not available with D010347 (347V models) (3) WTA = WaveLinX PRO tilemount sensor kit for daylight dimming, PIR motion sensing, and optional RLTS - Real Time Location Services, use with D010 only. (Refer to WaveLinX PRO specifications.) (4) WTK = WaveLinX LITE tilemount sensor kit for daylight dimming, PIR motion sensing, use with D010 only. (Refer to WaveLinX LITE specifications.) (5) Emergency battery backup options are Non-IC only, and rated for a minimum starting temperature of 0°C (10) WPN = WaveLinX PRO wireless node provides luminaire-level control with scene and zone configuration without an integrated sensor; Connects wirelessly with daylight dimming sensor and PIR motion sensor if desired. Use with 0-10V driver only. Not compatible with 347V or Chicago plenum. (Refer to WaveLinX PRO specifications.) (11) WLN = WaveLinX LITE wireless node provides luminaire-level control with scene and zone configuration without an integrated sensor; Connects wirelessly with daylight dimming sensor and PIR motion sensor if desired. Use with 0-10V driver only. Not compatible with 347V or Chicago plenum. (Refer to WaveLinX LITE specifications.)	Notes (3) WTA = WaveLinX PRO tilemount sensor kit for daylight dimming, PIR motion sensing, and optional RLTS - Real Time Location Services, use with D010 only. (Refer to WaveLinX PRO system specifications.) (4) WTK = WaveLinX LITE tilemount sensor kit for daylight dimming, PIR motion sensing, use with D010 only. (Refer to WaveLinX LITE system specifications.) (9) HL6RSMF for use with HC56R retrofit kit ONLY (aperture size not compatible with HC6R).

LED Module	Lumens	CRI/CCT
HM6R = 6" LED Modules For use with HC6R - HC56R Retrofit Kit housings only	0525 = 500 - 2500 lumen 3040 = 3000-4000 lumen 4560 = 4500-6000 lumen	827 = 80CRI, 2700K 830 = 80CRI, 3000K 835 = 80CRI, 3500K 840 = 80CRI, 4000K 850 = 80CRI, 5000K 927 = 90CRI, 2700K 930 = 90CRI, 3000K 935 = 90CRI, 3500K 940 = 90CRI, 4000K 950 = 90CRI, 5000K
Notes	Notes	Notes

Reflector	Distribution	Finish	Flange
62R = 6" retrofit conical reflector for use HC6R and HC56R series retrofit kits only ⁽⁷⁾	MD = medium distribution 55° beam angle, 1.04 SC	C = Specular clear H = Semi-specular clear W = White (white flange)	Blank = Polished flange standard with C & H reflectors Blank = White flange standard with W reflector WF = White flange option available with C & H reflectors
Notes (7) 62R trims feature an oversized trim ring to meet a range of nominal ceiling openings when retrofitting. See line art for dimensions.	Notes	Notes	Notes (8) Oversize flange accommodates range of retrofit apertures



Use HL6RSMF mounting frame in new construction rough-in, then install HC56R from below, after finished ceiling installation.

Product Specifications

Housing Frame/Collar

- Galvanized steel collar; 2" thick
- Accommodates open frame housing openings 5.875" (5-7/8") to 6.625" (6-9/16") nominal ceiling cutout aperture
- Installs with two remodel spring clips from below the ceiling

Junction Box

- Galvanized steel junction box
- Provided with armored cables for flexible connections to the LED module and existing junction box for mains voltage connections
- 20 in³ internal volume excluding voltage barrier
- 25 in³ internal total volume
- Voltage barrier for 0-10V dimming wires (occupies one 1/2" pry-out space)
- Listed for eight #12 AWG (four in, four out) 90°C conductors and feed-thru branch wiring
- Three 1/2" and two 3/4" trade size pry-outs available
- Three 4-port push wire nuts for mains voltage with 1-port for fixture connection

LED Module

- Proximity phosphors over chip on board LEDs provide a uniform source with high efficiency and no pixilation
- Available in 80 or 90 color rendering index (CRI)
- Color accuracy within 3 SDCM provides color consistency and uniformity
- 90 CRI option: R9>50 (refer to chromaticity information for details)
- Available in 2700K, 3000K, 3500K, 4000K and 5000K correlated color temperature (CCT)
- Lumen options include 500, 750, 1000, 1500, 2000, 2500, 3000, 3500, 4000, 4500, 5000, 5500, 6000 lumens (nominal)
- Passive thermal management achieves 60,000 hours at 70% lumen maintenance (L70) in insulated ceilings (IC) and non-IC applications
- Integral diffuse lens provides visual shielding
- Integral connector allows quick connection to housing flex

Reflector

- Self-flanged aluminum reflectors available in medium distribution pattern
- Reflectors attach to LED module with three speed clamps
- Available in multiple painted or plated finishes
- Oversize reflector flange accommodates range of retrofit apertures

Reflector/Module Retention

- Reflector/module assembly is securely retained in the housing with two torsion springs

Driver

- Field-replaceable constant current driver provides low noise operation
- Universal 120-277VAC 50/60Hz input standard
- Continuous, 1% to 100% dimming with 0-10V analog control

Canada Options

- 347VAC 50/60Hz; 1% dimming on 0-10V analog control, for 500, 750, 1000, 1500, 2000, 2500, 3000, 3500, 4000, 4500, 5000 lumen models only
- 347V step down transformer factory installed with the standard "D010" 120V-277V, LED driver on 5500, 6000 lumen models only

Emergency Option

- Provides 90 minutes of standby lighting, meeting most life safety codes for egress lighting
- Available with remote charge indicator and test switch
- Available Self-Test (self-diagnostic) with remote charge indicator and test switch

Connected Lighting System

Two WaveLinx connected solutions to choose from. Refer to WaveLinx system specifications and application guides for details.

WaveLinx PRO Tilemount Sensor Kit

- WaveLinx PRO WTA tilemount sensor kit offers daylight dimming, PIR motion sensing, scene and zone configuration, automatic commissioning; and optional RLTS - Real Time Location Services available.

WaveLinx PRO Wireless Node

- WaveLinx PRO WPN wireless node provides luminaire-level control with scene and zone configuration without an integrated sensor; Connects wirelessly with daylight dimming sensor and PIR motion sensor if desired. Use with 0-10V driver only. **Note:** Not compatible with 347V or Chicago plenum.

WaveLinx LITE Tilemount Sensor Kit

- WaveLinx LITE WTK tilemount sensor kit offers daylight dimming and PIR motion sensing, scene and grouping configuration.

WaveLinx LITE Wireless Node

- WaveLinx LITE WLN wireless node provides luminaire level control with scene and zone configuration without an integrated sensor; Connects wirelessly with daylight dimming sensor and PIR motion sensor if desired. Use with 0-10V driver only. **Note:** Not compatible with 347V or Chicago plenum.

WaveLinx Tilemount Sensor Kits Application

- The WTA and WTK tilemount sensor kits include a control module mounted on the luminaire junction box via 1/2" knock-out, and a tilemount sensor on 54-inch whip; for ceiling installation by direct-mount spring clips or via mounting bracket in octagon ceiling boxes.
- The WTA and WTK tilemount sensor kits may be ordered as factory installed on the luminaire, or ordered separately as a field installed accessory kit.
- Note: WaveLinx PRO devices are only compatible with the WaveLinx PRO system.**
- Note: WaveLinx LITE devices are only compatible with the WaveLinx LITE system.**

New Construction Mounting Frame Accessory

- Install retrofit kit in new construction with accessory HL6RSMF mounting frame (ordered separately)
- HL6RSMF 6" aperture mounting frame is galvanized steel with GOT NAIL! Gen-3 bar hangers that adjust 8" to 24", and Pass Thru feature for shortening bars without removal. Integral nail and grid clip design for wood framing or T-grid ceilings.
- When used with HL6RSMF in new construction, the retrofit kit installs from below the finished ceiling; for ease of LED luminaire installation after rough-in of the ceiling.

Compliance

- cULus Certified to UL 1598 / C22.2 No. 250.0, suitable for damp locations and wet locations in covered ceilings only
 - Emergency options provided with UL Listed emergency drivers to UL 924 / C22.2 No. 141, suitable for indoor/damp locations.
 - IP20 - Above finished ceiling; IP65- Below finished ceiling
 - Non-Insulated ceiling (Non-IC) rated for 2500, 3000, 3500, 4000, 4500, 5000, 5500, 6000 lumen models (insulation must be kept 3" from top and sides)
 - Insulated ceiling (IC) rated for 500, 750, 1000, 1500, 2000 lumen models and suitable for direct contact with air permeable insulation* (IC models are also suitable for Non-IC installations)
 - Non-IC marked spacing required for 4500, 5000, 5500, 6000 lumen models
 - Marked Spacing Center to Center of Adjacent Luminaires = 36"
 - Center of Luminaire to Building Member = 18"
 - Minimum overhead = 0.5"
 - Airtight per ASTM-E283-04
 - Suitable for use in clothes closets when installed in accordance with the NEC 410.16 spacing requirements
 - EMI/RFI emissions FCC CFR Title 47 Part 15 Class A at 120/277V
 - Contains no mercury or lead and RoHS compliant
 - Photometric testing completed in accordance of IES LM-79-08
 - Lumen maintenance projection in accordance of IES LM-80-08 and TM-21-11
 - 500, 750, 1000, 1500, 2000 lumen, 90 CRI, ICAT models may be used to comply with State of California Title 24 residential code, per JA8 certification standards
 - May be used to comply with State of California Title 24 non-residential code as a dimmable LED luminaire
 - ENERGY STAR® certified, reference certified light fixtures database
- *Not for use in direct contact with spray foam insulation, consult NEMA LSD57-2013

Warranty

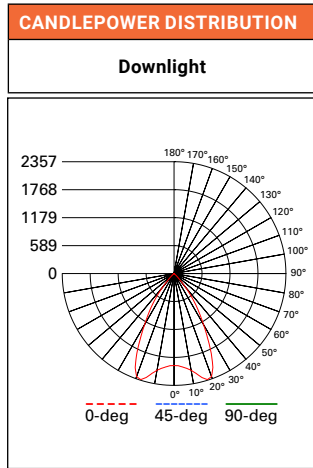
- Five year limited warranty, consult website for details. www.cooperlighting.com/legal

Photometric Data

[View IES files](#)

MEDIUM DISTRIBUTION - SPECULAR CLEAR FINISH, 2000 LUMEN MODEL, 80CRI, 3500K

Medium (55° Beam*)	
Test Number	P581892
Housing	HC56R20D010
Module	HM6R0525835
Reflector	62RMDC
Lumens	2305 Lm
Efficacy	115.3 Lm/W
SC	1.08
UGR	11.6



Cone Of Light			
MH	FC	L	W
5.5'	68	5.8	5.8
7'	42	7.4	7.4
8'	32.1	8.4	8.4
9'	25.4	9.4	9.4
10'	20.6	10.6	10.6
12'	14.3	12.6	12.6

CANDELA TABLE	
Degrees Vertical	Candela
0	1950
5	1986
15	2281
25	1868
35	796
45	123
55	15
65	4
75	2
85	0
90	0

Zonal Lumen Summary		
Zone	Lumens	% Fixture
0-30	1670	72.5
0-40	2164	93.9
0-60	2299	99.7
0-90	2305	100
90-180	0	0
0-180	2305	100

Luminance	
Average Candela Degrees	Avg. 0° Luminance
45	9528
55	1395
65	571
75	318
85	0

*Values are nominal, for specular clear reflector, others may vary.
SC = Spacing Criteria
UGR = Unified Glare Rating

Photometric Multipliers (Nominal Lumen Values)

500 Lumen	750 Lumen	1000 Lumen	1500 Lumen	2000 Lumen	2500 Lumen	3000 Lumen	3500 Lumen
0.33	0.44	0.54	0.74	1.00	1.12	1.46	1.76

4000 Lumen	4500 Lumen	5000 Lumen	5500 Lumen	6000 Lumen
1.81	2.17	2.28	2.38	2.65

Multipliers for relative lumen values with other series models.

Color Finish Multipliers

Finish code	C	H	W/WB	BB
Finish	Specular Clear	Semi-Specular	Matte White White Baffle	Black Baffle
Multiplier	1.00	0.92	0.91	0.82

Multipliers for relative lumen values with other color finishes.

CCT Multipliers - 80CRI

2700K	3000K	3500K	4000K	5000K
0.92	0.98	1.00	1.03	1.03

Multipliers for relative lumen values with other series color temperatures.

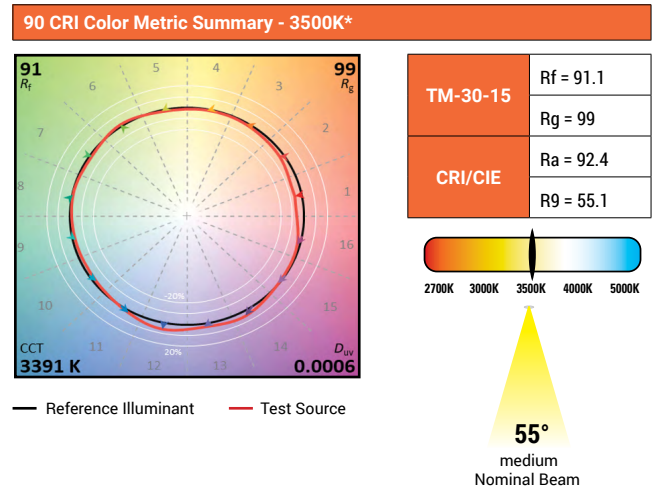
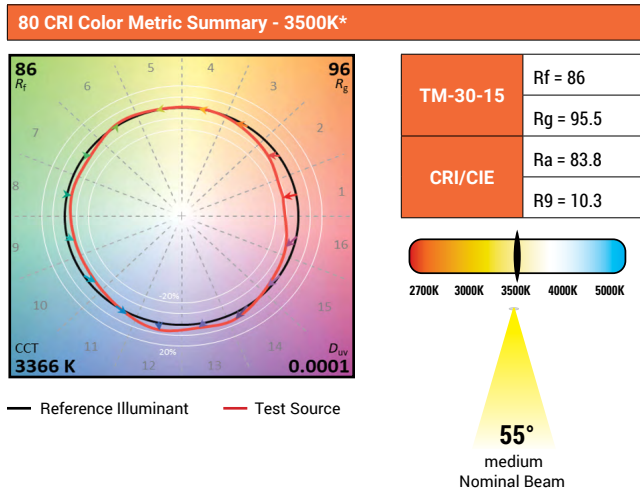
CCT Multipliers - 90CRI

2700K	3000K	3500K	4000K	5000K
0.77	0.84	0.89	0.90	0.90

Multipliers for relative lumen values with other series color temperatures.

Energy & Performance Data

COLOR METRIC - TM-30-15 & CRI/CIE (3500K)



* Color values are based on 61WDWB reflector, other finishes and field results may vary.

ENERGY DATA

Series	500 lumen		750 lumen		1000 lumen		1500 lumen		2000 lumen	
	120V	277V	120V	277V	120V	277V	120V	277V	120V	277V
Input Voltage 120-277VAC	120V	277V	120V	277V	120V	277V	120V	277V	120V	277V
Input Current (A)	0.051	0.026	0.067	0.036	0.083	0.039	0.119	0.053	0.171	0.077
Input Power (W)	6.1	6.5	7.9	8.3	10	10.4	14.5	14.5	20.9	20.6
In-rush (A)	1.9	8.4	2	8.4	2.2	8.5	2.7	8.5	2.1	9.7
Inrush duration (µs)	251	135	237	133	250	134	250	139	245	131
THD (%)	6.2	13.5	7.4	8.8	5.4	10.3	10	6.7	6.5	7.9
PF	≥ 0.99	≥ 0.9	≥ 0.98	≥ 0.92	≥ 0.99	≥ 0.95	≥ 0.99	≥ 0.97	≥ 0.99	≥ 0.96

Series	2500 lumen		3000 lumen		3500 lumen		4000 lumen		4500 lumen	
	120V	277V	120V	277V	120V	277V	120V	277V	120V	277V
Input Voltage 120-277VAC	120V	277V	120V	277V	120V	277V	120V	277V	120V	277V
Input Current (A)	0.23	0.103	0.24	0.107	0.292	0.152	0.351	0.159	0.384	0.172
Input Power (W)	27.5	27.5	28.6	28.5	34.6	35.1	42.1	42.1	45.9	45.6
In-rush (A)	2.5	5.6	2.5	11.6	3.4	13.9	3.1	14.7	3.1	14.8
Inrush duration (µs)	232	123	216	111	183	95	200	98	202	100
THD (%)	6.5	8.1	7.8	8.3	5.6	10	4.1	9.5	4.5	8.5
PF	≥ 0.99	≥ 0.96	≥ 0.99	≥ 0.96	≥ 0.99	≥ 0.93	≥ 0.99	≥ 0.94	≥ 0.99	≥ 0.95

Series	5000 lumen		5500 lumen		6000 lumen	
	120V	277V	120V	277V	120V	277V
Input Voltage 120-277VAC	120V	277V	120V	277V	120V	277V
Input Current (A)	0.419	0.186	0.457	0.201	0.489	0.214
Input Power (W)	50.1	49.5	54.6	53.7	58.4	57.4
In-rush (A)	3.1	15	3.2	14.8	3.4	14.8
Inrush duration (µs)	202	117	196	131	192	121
THD (%)	5.5	7.6	7	7.2	8.1	7.2
PF	≥ 0.99	≥ 0.96	≥ 0.99	≥ 0.96	≥ 0.99	≥ 0.97

Minimum starting temperature -30°C (-22°F)*
(Nominal input 120-277VAC & 100% of rated output power)

Sound Rating: Class A standards

Notes:

* Emergency Battery packs are rated for a minimum starting temperature of 0°C.

Non - Halo Commercial Open Frame Housing*

Manufacturer	Brand	Series Open Frame Models Only	Housing Aperture
Cooper Lighting Solutions	PDS (Performance Downlighting System)	PD6 Performance Downlighting System (Not Halo Commercial PD6)	6.25" (6-1/4")
Cooper Lighting Solutions	Portfolio	C6, MD6, H760, HD6, LD6	6.375" (6-3/8")
Signify N.V.	Lightolier® Calculite	B600, S6132B, C670MH, 6213H, 6218H, C639M, C670M, C610M, C639T, C670T, C615T	6.5625" (6-9/16")
Hubbell®	Prescolite® – Architektur	CFT6, CFR6, CFCB6, CFQ6, INC600	6.25" (6-1/4")
Hubbell®	Prescolite® – Architektur	RHD6	6.31" (6-5/16")
Hubbell®	Prescolite® – LiteFrame™	LF6	6.25" (6-1/4")

*This is a representative list of non - Halo Commercial housings deemed capable of retrofit. Models must be open frame versions of the respective series. Information noted about these other manufacturers products are obtained from published information made available by the manufacturer and is deemed to be reliable, but has not been verified. The specifications of these products and their conditions of use may change without notice to Cooper Lighting Solutions or any other user. Cooper Lighting Solutions makes no specific recommendation on product selection and there are no warranties of performance or compatibility implied.

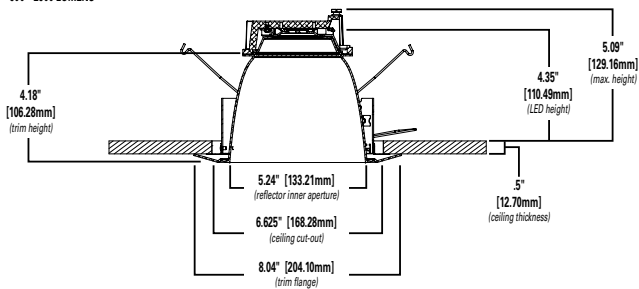
*Installer should ensure proper local and national electrical codes are followed; and that the application and conditions of use are per these and manufacturer guidelines.

*Installer is responsible to verify mechanical, dimensional, and site conditions are suitable for proper installation of the retrofit assembly.

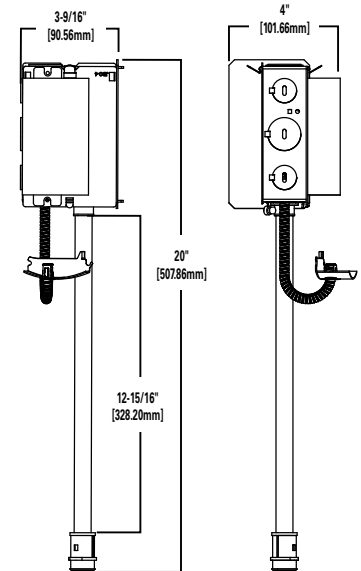
Signify N.V. (formerly Philips Lighting N.V.), Lightolier®, Calculite, Hubbell®, Prescolite®, Architektur, LiteFrame™, and their product brand names, where identified above, are tradenames or trademarks of each respective company and Cooper Lighting Solutions makes no representations on these trademarks.

Dimensional and Mounting Details

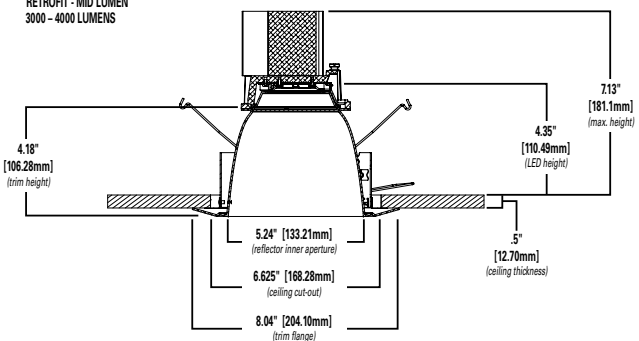
RETROFIT - LOW LUMEN 500 - 2500 LUMENS



Low Lumen Module

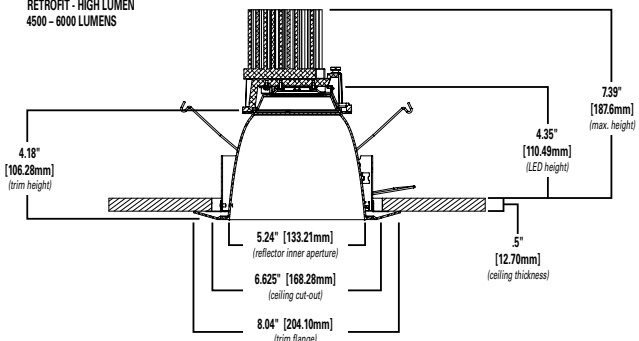


RETROFIT - MID LUMEN 3000 - 4000 LUMENS



Mid Lumen Module

RETROFIT - HIGH LUMEN 4500 - 6000 LUMENS

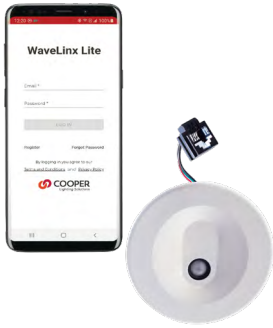


High Lumen Module

Connected Solutions

WaveLinx LITE - WTK Tilemount Sensor

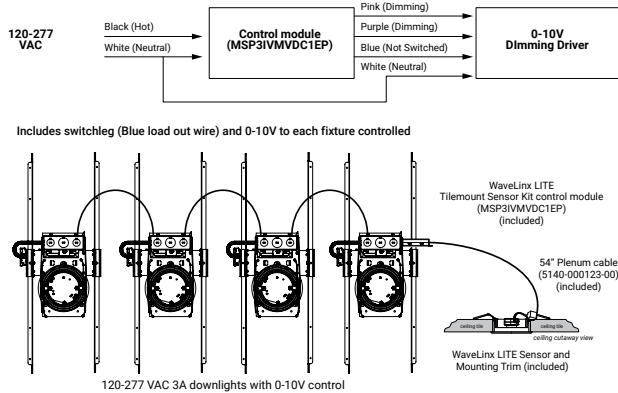
WaveLinx LITE devices only compatible with the WaveLinx LITE system.



- Intuitive Android™ or Apple® iOS® app for basic system code compliant set up and configuration via Bluetooth
- Up to 28 unique areas per project site (WaveLinx LITE Bluetooth network)
- Up to 50 devices for an area, any one of 16 control zones, up to 6 occupancy sets, and custom lighting scenes
- Automatic occupancy or vacancy, sensor sensitivity, daylight dimming, etc. configurable through the app
- Refer to the WaveLinx system specifications for details



WaveLinx LITE WTK Tilemount Wiring Diagram



WaveLinx LITE Bluetooth Enabled System



WaveLinx PRO – WTA Tilemount Sensor

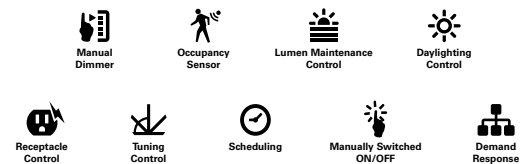
WaveLinx PRO devices only compatible with the WaveLinx PRO system.



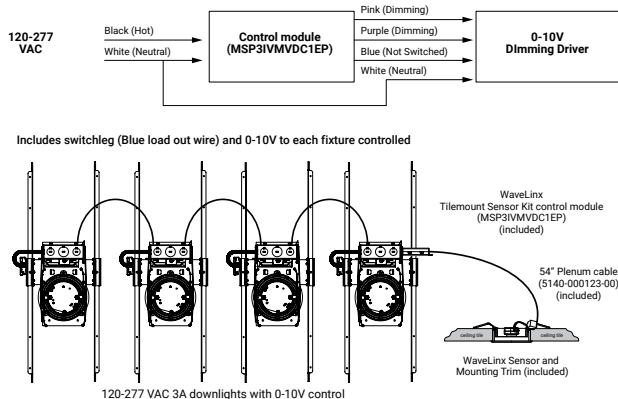
- WaveLinx PRO tilemount functionality configures zones and customizes settings from one secure mobile app
- Automatic code commissioning that meets the strictest codes
- Fixtures and sensors integrate with Wireless Area Controller, Wall Stations, and Control Devices
- Stand-Alone Offices or Entire Building Network Installations



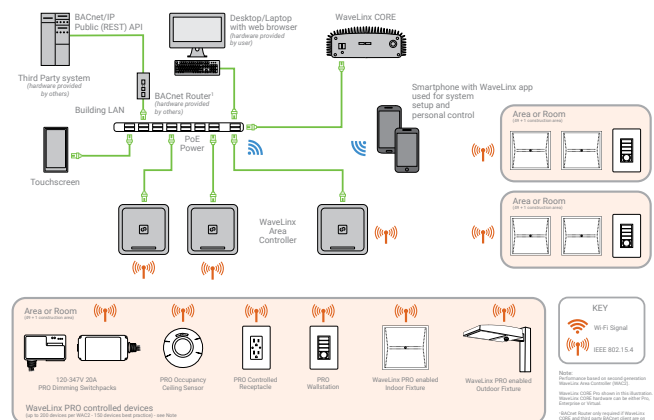
WaveLinx mobile app settings



WaveLinx WTA Tilemount Wiring Diagram



WaveLinx CORE Building Management Integration



Connected Solutions



WaveLinX LITE Wireless Node - WLN

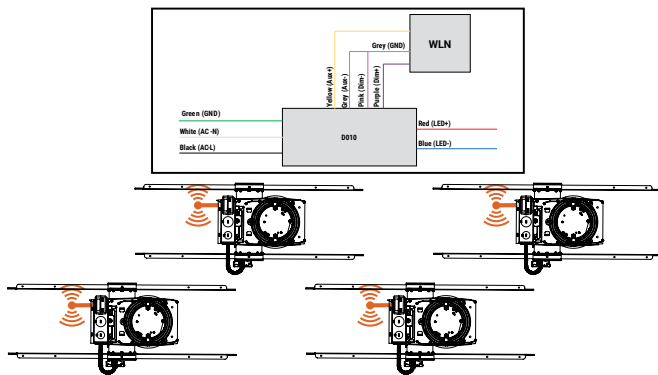
WaveLinX LITE devices only compatible with the WaveLinX LITE system.

- Intuitive Android™ or Apple® iOS® app for basic system code compliant set up and configuration via Bluetooth
- Up to 28 unique areas per project site (WaveLinX LITE Bluetooth network)
- Up to 50 devices for an area, any one of 16 control zones, up to 6 occupancy sets, and custom lighting scenes
- Refer to the WaveLinX system specifications for details

WaveLinX mobile app settings



WaveLinX LITE Wireless Node (WLN) Wiring Diagram



WaveLinX LITE Bluetooth Enabled System

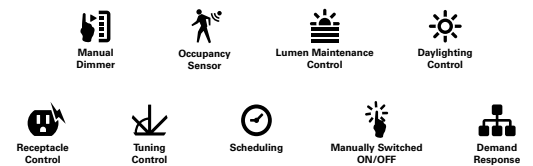


WaveLinX PRO Wireless Node - WPN

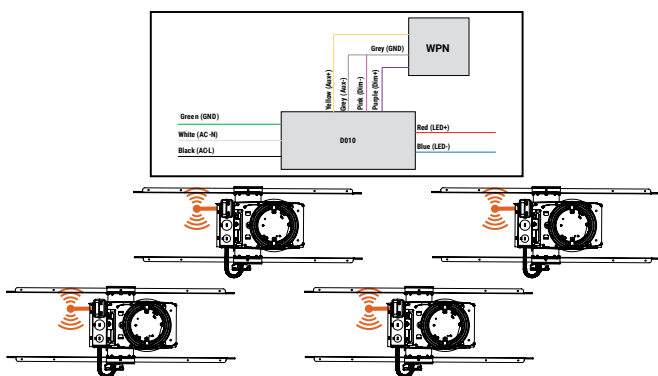
WaveLinX PRO devices only compatible with the WaveLinX PRO system.

- WaveLinX Wireless functionality configures zones and customizes settings from one secure mobile app
- Automatic code commissioning that meets the strictest codes
- Fixtures and sensors integrate with WaveLinX Area Controller, Wall Stations, and Control Devices
- Stand-Alone Offices or Entire Building Network Installations

WaveLinX mobile app settings



WaveLinX PRO Wireless Node (WPN) Wiring Diagram



WaveLinX CORE Building Management Integration

