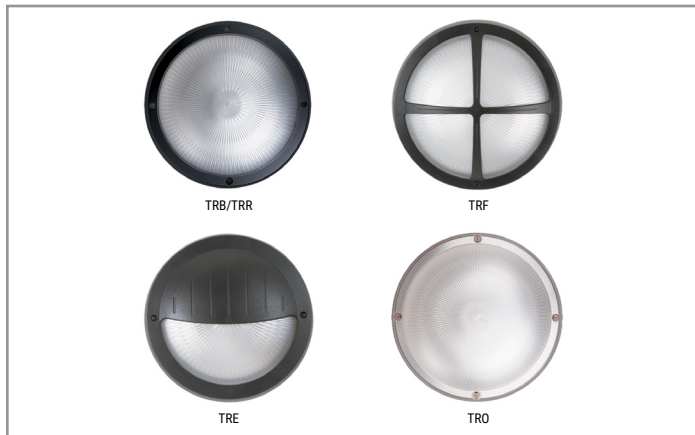


Project		Catalog #		Type	
Prepared by		Notes		Date	



Fail-Safe

TR11

11" Round High Abuse Polycarbonate
 10/15/20/25 Watt
 Up to 2630 Lumens
 Ceiling / Wall / Interior / Exterior

Typical Applications

Cleanroom • Pharmaceuticals • Vivariums • Hosedown • Food Prep • Healthcare • Vandal Resistant

Interactive Menu

- Order Information [page 2](#)
- Max Ambient Operating/Option Matrix [page 2](#)
- Design Gallery [page 3](#)
- Product Warranty

Product Certification



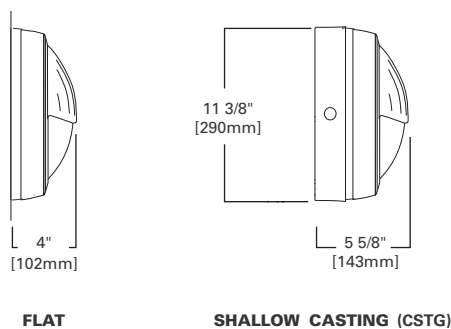
Product features



Top Product Features

- Available from 10 to 25 watts
- IP65 Rated
- UL wet location listed
- Opal and clear polycarbonate lens
- Up to 2,630 delivered lumens
- Clear or opal lens, choose from 4 face plates
- Emergency driver option
- Photocontrol and occupancy sensor available
- Shallow casting optional for surface conduit

Dimensional and Mounting Details



Delivered Lumens (5000K)

Wattage		TRO11	TRB11	TRR11	TRF11	TRE11
10	Clear	1175	950	825	775	650
	Opal	825	600	600	525	450
15	Clear	1725	1325	1500	1200	930
	Opal	1200	825	850	760	600
20	Clear	2200	1800	1950	1500	1175
	Opal	1500	1100	1150	1000	725
25	Clear	2630	2190	2333	1831	1410
	Opal	1695	1400	1485	1155	890
		Open	Border	Ring	Four Quadrant	Eyelid

Note: Delivered Lumens in table above are estimated values only. Refer to LM-79 data files for exact delivered lumen, input wattage and distribution.

Order Information

SAMPLE ORDER NUMBER: TRF11-LD4-15W-40-OPL-BZ-UNV-EDC1-EL5W/CSTG

Domestic Preferences	Product Family	Shape	Style	Size	LED	Wattage	Color Temp	Lens	
Domestic Preferences ⁽¹⁾	Product Family	Shape	Style	Size	LED	Wattage	Color Temp	Lens	
[Blank] =Standard BAA =Buy American Act	T =Terrapin LED	R =Round	B =BorderPaint ⁽²⁾ E =Eyelid ⁽²⁾ F =Four Quadrant ⁽²⁾ R =Ring ⁽²⁾ O =Open ⁽²⁾	11 =11 inch	LD4 =LED 4.0	10W =10 Watt 15W =15 Watt 20W =20 Watt 25W =25 Watt	30 =3000K 35 =3500K 40 =4000K 50 =5000K	OPL =Opal CL =Clear	
Notes (1) Only product configurations with this designated prefix are built to be compliant with the Buy American Act of 1933 (BAA). Please refer to DOMESTIC PREFERENCES website for more information. Components shipped separately may be separately analyzed under domestic preference requirements.			Notes (2) Color must be specified.						

Color	Voltage	Driver	Circuits	Options	Accessories
Color ^{(3),(4)}	Voltage	Driver	Circuits	Options ⁽⁵⁾	Accessories ⁽¹¹⁾
BK =Black WH =Whiter BZ =Bronze DP =Dark Platinum	UNV =Universal Voltage 120V =120 Volt 277V =277 Volt	ED =Electronic Driver	C1 =Single Circuit, Low Voltage Leads not connected D1 =D1=Single Circuit, Low Voltage Dimming Leads connected to driver and presented at supply	F1 =Fuse (specify voltage) ⁽⁵⁾ CSTG =Shallow Casting - Same as SCB11, but ships with fixture ^{(6),(7)} PB120V/CSTG =Photocell, 120V, (Shallow Casting Necessary) ^{(5),(6),(10)} PB277V/CSTG =Photocell, 277V, (Shallow Casting Necessary) ^{(5),(6),(10)} OS =Occupancy Sensor, Internal (behind lens), FM105 ^{(8),(9)} EL5W/CSTG =Emergency Battery Pack, 5W (Shallow Casting Necessary), 20, 25 watt limited to max. 25°C ambient environment ^{(5),(6),(9)}	VRSD =T20 Center-pin tamper-proof TORX®-head screwdriver
Notes (3) Custom colors available. Furnish RAL # or paint manufacturer/model #. (4) Open lens/style does not require a color to be specified, unless used with a shallow casting (CSTG, PB120/CSTG, PB277/CSTG, EL5W/CSTG).				Notes (5) See Maximum Ambient Operating/Option Matrix below for option capability and wattage/ambient restrictions. (6) When CSTG, PB120/CSTG, PB277/CSTG, EL5W/CSTG is specified, a color must be specified. (7) CSTG has four threadless hubs suitable for 1/2" conduit (plugged). (8) Not available 25W. (9) OS only functional with 120 or 277 input voltage (10) PB120V/CSTG requires 120V to be specified as fixture voltage, and PB277V/CSTG requires 277V to be specified as fixture voltage.	Notes (11) Accessories sold separately will be separately analyzed under domestic preference requirements. Consult factory for further information.

Maximum Ambient Operating / Option Matrix

	10W				15W				20W				25W			
	Flat Mount		Shallow Cast		Flat Mount		Shallow Cast		Flat Mount		Shallow Cast		Flat Mount		Shallow Cast	
	Ceiling	Wall	Ceiling	Wall	Ceiling	Wall	Ceiling	Wall	Ceiling	Wall	Ceiling	Wall	Ceiling	Wall	Ceiling	Wall
No options	45C	45C	45C	45C	40C	40C	40C	40C	40C	40C	40C	40C	40C	40C	40C	40C
Fuse	45C	45C	45C	45C	40C	40C	40C	40C	40C	40C	40C	40C	40C	40C	40C	40C
Photocell	n/a	n/a	40C	40C	n/a	n/a	40C	40C	n/a	n/a	30C	30C	n/a	n/a	25C	25C
Occ Sensor	40C	40C	35C	35C	35C	35C	35C	35C	25C	25C	25C	25C	n/a	n/a	n/a	n/a
Fuse & Photocell	n/a	n/a	40C	40C	n/a	n/a	40C	40C	n/a	n/a	30C	30C	n/a	n/a	25C	25C
Fuse & Occ Sensor	40C	40C	35C	35C	35C	35C	35C	35C	25C	25C	25C	25C	n/a	n/a	n/a	n/a
EM	n/a	n/a	35C	35C	n/a	n/a	35C	35C	n/a	n/a	25C	25C	n/a	n/a	n/a	n/a
EM & Fuse	n/a	n/a	35C	35C	n/a	n/a	35C	35C	n/a	n/a	25C	25C	n/a	n/a	n/a	n/a
EM & Fuse & Photocell	n/a	n/a	35C	35C	n/a	n/a	35C	35C	n/a	n/a	25C	25C	n/a	n/a	n/a	n/a
EM & Fuse & Occ Sensor	n/a	n/a	35C	35C	n/a	n/a	35C	35C	n/a	n/a	25C	25C	n/a	n/a	n/a	n/a
EM & Photocell	n/a	n/a	35C	35C	n/a	n/a	35C	35C	n/a	n/a	25C	25C	n/a	n/a	n/a	n/a
EM & Occ Sensor	n/a	n/a	35C	35C	n/a	n/a	35C	35C	n/a	n/a	25C	25C	n/a	n/a	n/a	n/a

n/a=Not Available

Description

The 11" diameter round Terrapin provides exceptional aesthetics with impressive strength and is available in 10, 15, 20, or 25 watt lumen packages. Polycarbonate lens, clear or opal, combined with four face plates provides a choice of different styles. Also, choose a photo control or motion sensor for control. Choose an emergency battery pack to provide egress illumination.

Product Specifications

Housing

- Shallow casting is die-cast aluminum.
- Backplate constructed of 16 gauge aluminum.

Face Plate Finish

- Injection-molded polycarbonate color is matte black standard, matte white painted, or bronze painted.
- Border paint option is a premium baked-on finish.
- For custom colors, provide manufacturer paint number, RAL number or color chip.

Shallow Casting Finish

- Polyester powder-coat paint applied in a five-stage process, 2.0 mil thickness, and baked on at 400° F.
- Finish is TGIC, textured, thermoset, polyester powder-coat.

Mounting

- Surface, ceiling or wall. Interior or exterior.

Gasket

- Die-cut closed-cell silicone gasket seals lens to casting.
- Gasket is secured with adhesive, and locked in place to the back casting. When the casting is not required, the gasket is mechanically attached to the back plate. One gasket seals the fixture.

Lens

- One-piece, injection-molded opal or clear polycarbonate, 0.125" thick.
- Attached with 4 recessed T20 stainless-steel TORX®-head fasteners.
- Lens Lifetime Warranty.

Decorative Faces

- High-impact, injection molded, 0.125" minimum thickness, polycarbonate overlay attached to lens with two recessed T20 stainless steel TORX®-head fasteners.
- Eyelid offers optimal lamp shielding.
- Open face is lens for continuous radial light pattern.
- Border face utilizes the standard open lens with paint on the border, eliminating backlit halo effect.

Electrical

- LED driver is mounted to the backpan for optimal thermal management.
- High efficiency LED mounted to circuit board.
- 70% lumen maintenance at 50,000 hours when operated in an environment as noted on the Maximum Ambient Operating/Option Matrix on the following page.
- feature bullet

Labels

- UL/cUL listed for wet locations, ceiling or wall mount.
- IP65 rated.
- Available to mount on combustible or non-combustible surfaces.
- Options to meet Buy American Act requirements.

Design Gallery



Eyelid

Polycarbonate eyelid/cover attached to lens with tamper resistant screws



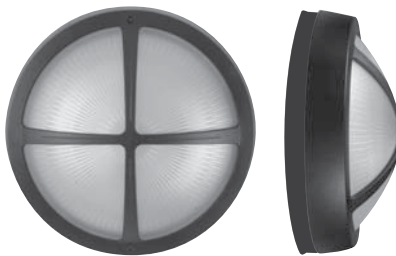
Border (Painted Border)

Side and edge of lens painted, no front cover



Ring

Polycarbonate ring attached to lens with tamper resistant screws



Four Quadrant

Polycarbonate cover attached to lens with tamper resistant screws



Open

Unpainted lens only. No polycarbonate front cover

Lens Lifetime Warranty

Fail-Safe will repair or provide a replacement lens for any TR11 lens found to be inoperative due to physical abuse for the duration of the installation under normal conditions.

** To make a claim, contact your Cooper Lighting Agent to arrange an RMA (Return Material Authorization) for the claimed product. Upon receipt and verification of the defect, Cooper Lighting will return to you a repaired or, at Cooper Lighting's sole option, replacement fixture.