

Installation Instructions - Continua Suspended LED

⚠ WARNING

Risk of Fire, Electrical Shock, Cuts and or other casualty hazards. This product must be installed in accordance with the applicable installation code by a qualified electrician or a person familiar with the construction and operation of the product and the hazards involved. Cooper Lighting Solutions assumes no responsibility for claims brought about by improper or careless installation or handling of this product.

⚠ WARNING

Risk of Fire and Electric Shock. If not qualified, consult an electrician.

⚠ WARNING

All components must be used and installed as shown. Failure to do so may result in injury.

CAUTION

Edges May Cut. Handle with care.

CAUTION

Risk of Burn. Disconnect power and allow fixture to cool before handling fixture.

NOTICE: Green ground screw provided in proper location. Do not relocate.

NOTICE: Minimum 90° supply conductors.

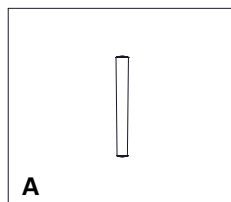
NOTE: Specifications and Dimensions subject to change without notice.

IMPORTANT: Read carefully before installing fixture. Retain for future reference.

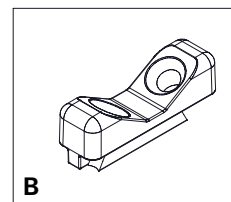
ATTENTION - Receiving department: Note actual fixture description of any shortage or noticeable damage on delivery receipt. File claim for common carrier (LTL) directly with carrier. Claims for concealed damage must be filed within 15 days of delivery. All damaged material, complete with original packing must be retained.

Recommended Equipment:

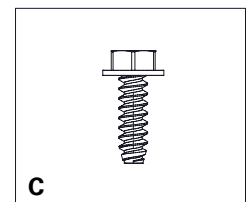
- Hammer
- 1/4" nut driver
- Flathead screwdriver
- Scissors
- Gloves



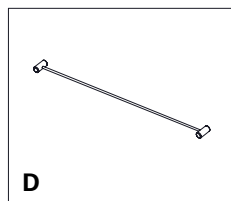
A Alignment Taper Pin



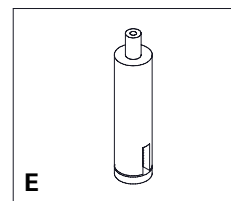
B Cast joiner



C #8-18 x 5/8 HWH



D Cross Cable



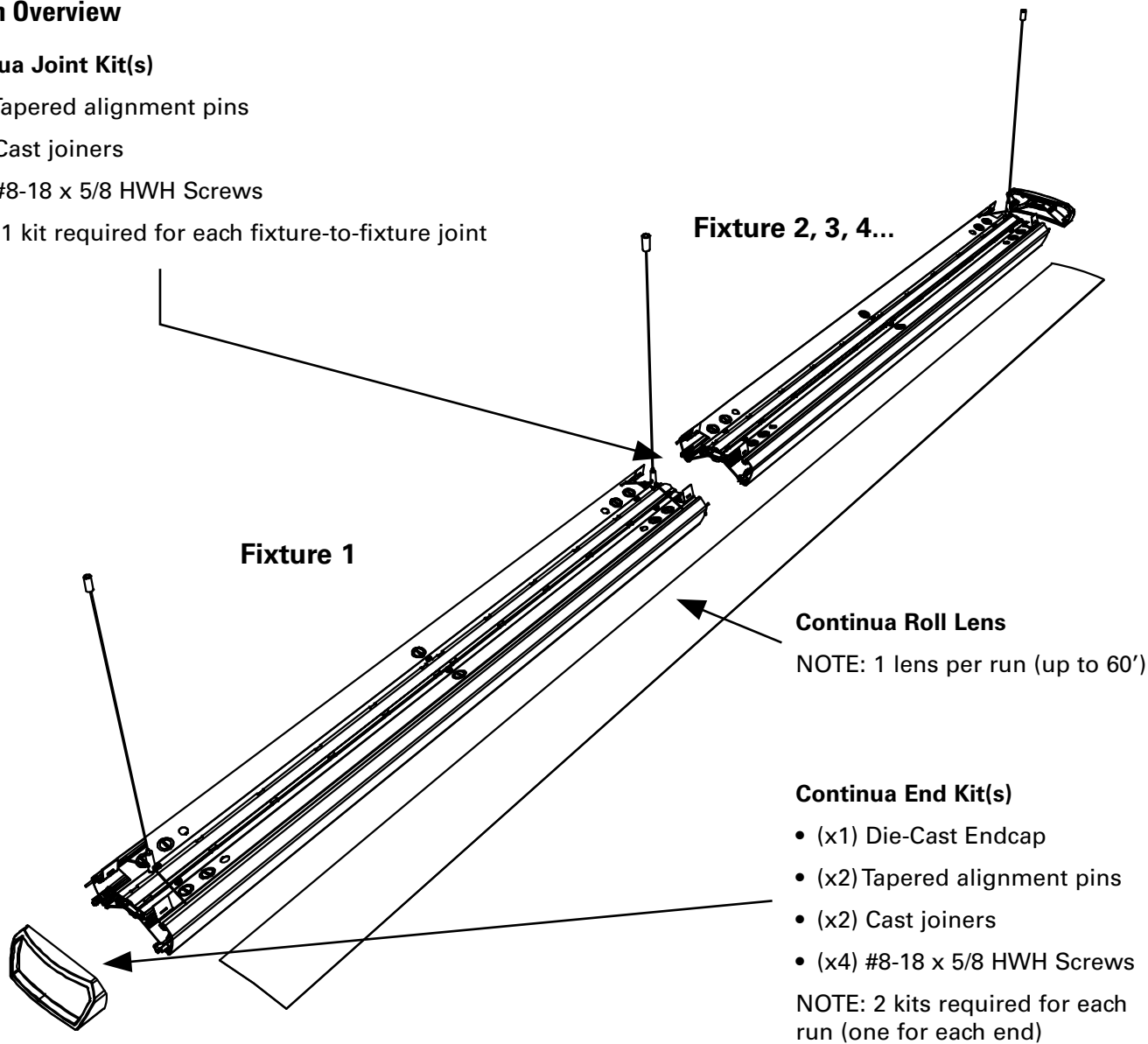
E Cable Adjuster

System Overview

Continua Joint Kit(s)

- (x2) Tapered alignment pins
- (x2) Cast joiners
- (x4) #8-18 x 5/8 HWH Screws

NOTE: 1 kit required for each fixture-to-fixture joint



Continua Roll Lens
NOTE: 1 lens per run (up to 60')

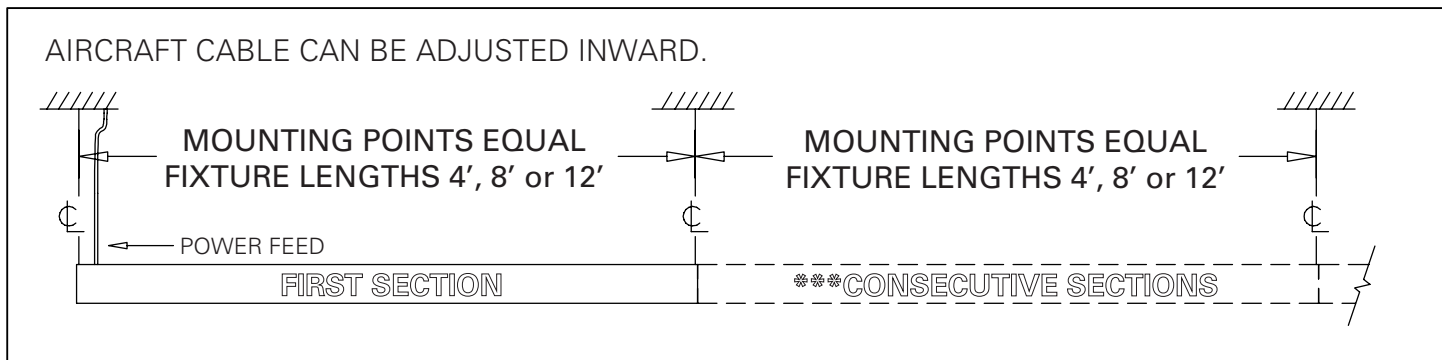
Continua End Kit(s)

- (x1) Die-Cast Endcap
- (x2) Tapered alignment pins
- (x2) Cast joiners
- (x4) #8-18 x 5/8 HWH Screws

NOTE: 2 kits required for each run (one for each end)

Mount Spacing

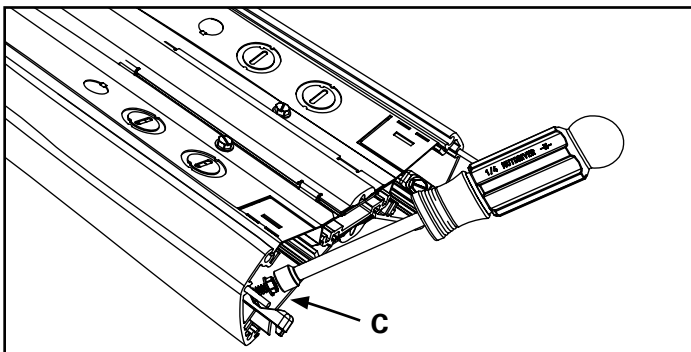
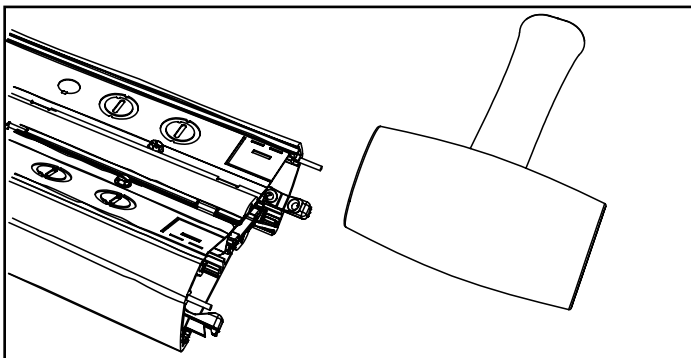
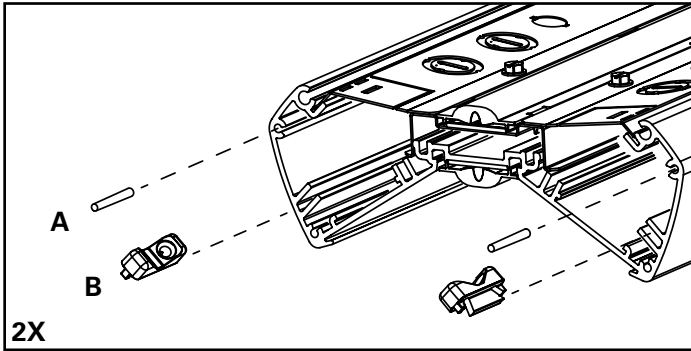
Max distances of flexible mount location from end of unit: 1' for 4' unit, 2' for 8' unit 4' for 12' unit. Max distance between mounting points shall not exceed 12 feet.



For installation at ceiling, see separate ceiling interface instructions.

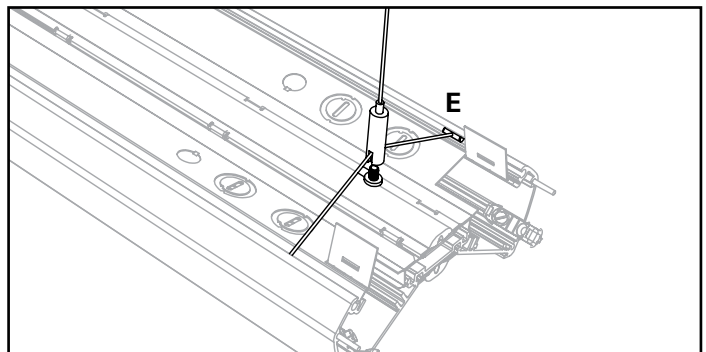
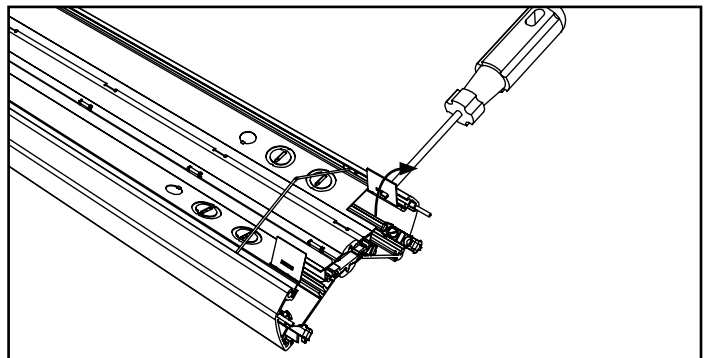
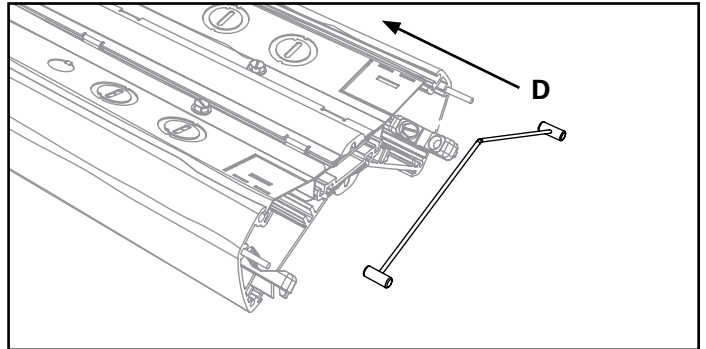
① Joining Hardware

At each fixture end, secure alignment pins half way into fixture end using hammer and install cast joiners.

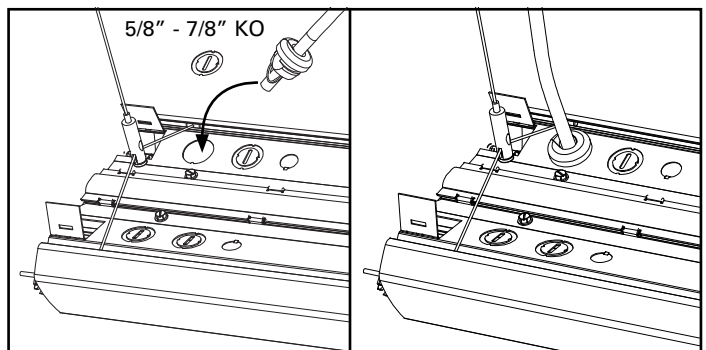


② Aircraft Cable at Fixture

IMPORTANT Slide cross cable at least 3 inches from end. Mounting points can be adjusted later. Bend tabs upward after inserting cross cable into fixture in order to retain cross cable during installation.

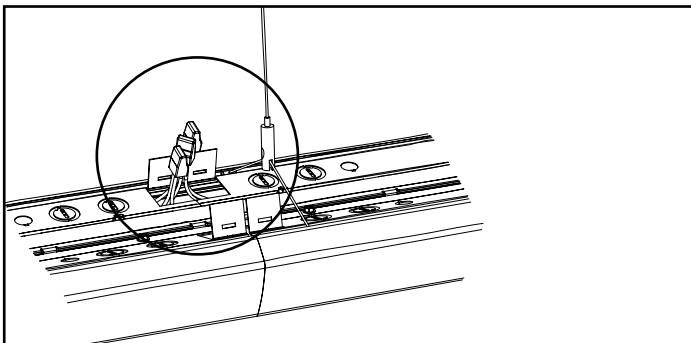
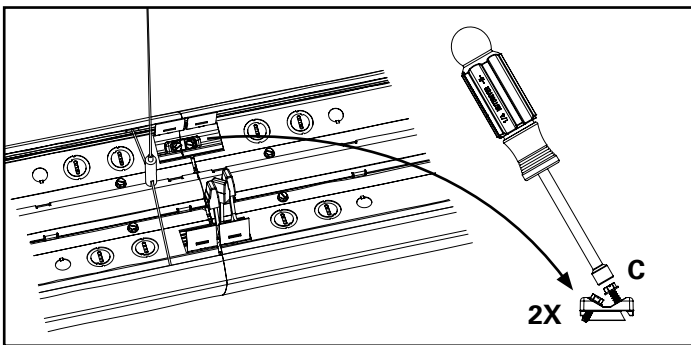
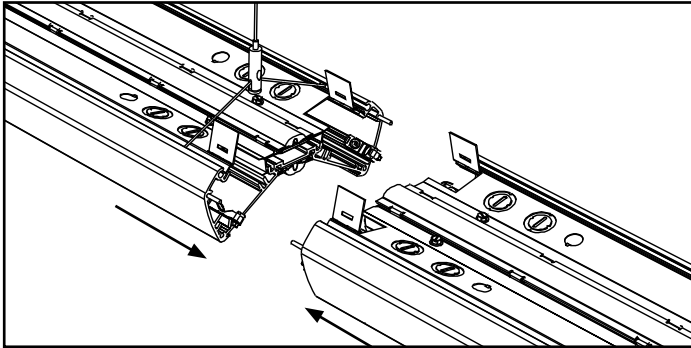


③ Power Drop



④ Joining

Ensure all tabs are bent upward for joining and electrical connections. Close all tabs once complete.

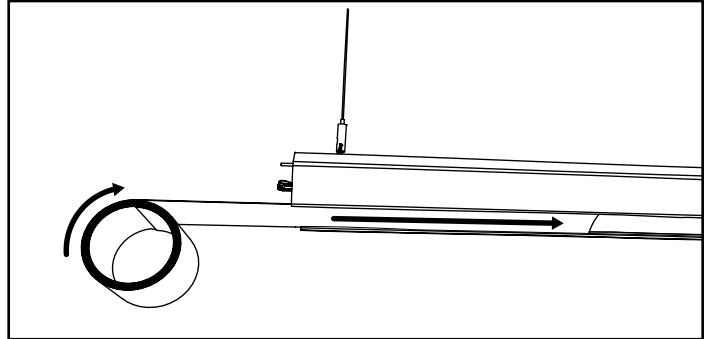


⑤ Roll Lens

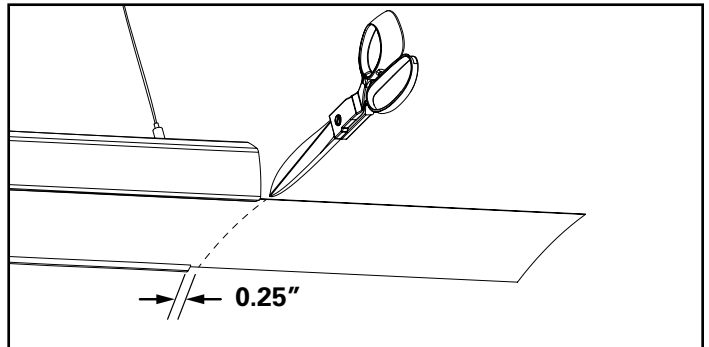
IMPORTANT: If conditions are dusty/dirty, recommended practice is to keep lens roll(s) in plastic packaging and install once conditions are clean. Install roll lens using clean work gloves.

IMPORTANT: Test LEDs and confirm they are all lit before beginning Roll Lens install.

One person hold roll lens at one end of fixture (as shown) while another person pulls lens through.

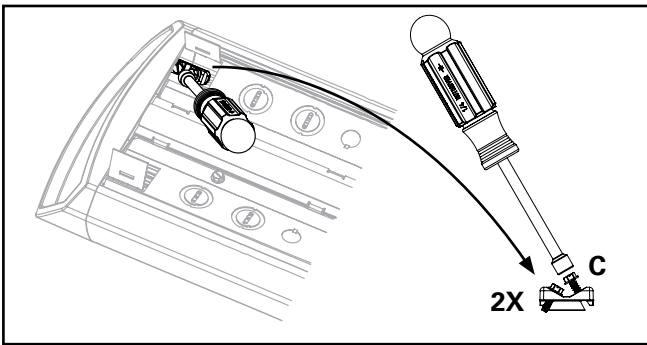
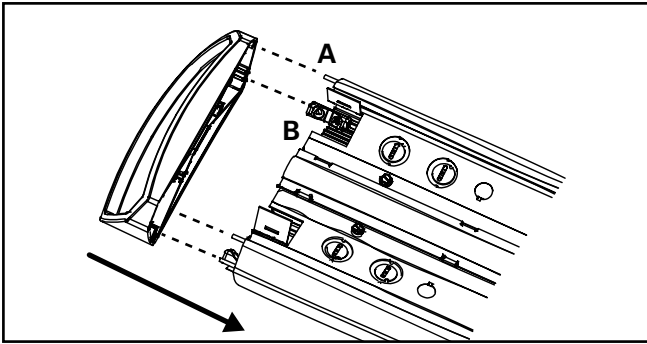


IMPORTANT: Ends of lens should overhang fixture by 1/4" at each end. Trim lens where necessary. **DO NOT UNDER-CUT.**



⑥ End Caps

Secure endcaps to fixture using cast joiners. Close all tabs once complete.



⑦ Fixture Maintenance and Cleaning

Always follow recommended cleaning and handling procedures when cleaning the lens. It can be permanently damaged if cleaned or handled improperly.

Blowing off the Surface of the Lens

Dust and other loose contaminants should be blown off before any other cleaning technique is employed. Using compressed air over the entire lens is recommended to prevent static buildup.

Additional Cleaning Methods

Fingerprints and large dust particles can be removed by gently wiping the surface with a clean microfiber cloth. If additional cleaning is required it is recommended to use Clorox® wipes to remove remaining contaminants by gently rubbing the affected area and allowing to air dry.

Warranties and Limitation of Liability

Please refer to www.cooperlighting.com for our terms and conditions.

Garanties et limitation de responsabilité

Veuillez consulter le site www.cooperlighting.com pour obtenir les conditions générales.

Garantías y Limitación de Responsabilidad

Visite www.cooperlighting.com para conocer nuestros términos y condiciones.

Cooper Lighting Solutions
18001 East Colfax Avenue
Aurora, CO 80011
P: 1-800-760-1317
www.cooperlighting.com

© 2018 Cooper Lighting Solutions
All Rights Reserved
Printed in USA
Imprimé aux États-Unis
Impreso en los EE. UU.
Publication No. IL524018EN
February 22, 2018

Cooper Lighting Solutions is a registered trademark. All trademarks are property of their respective owners.

Cooper Lighting Solutions est une marque de commerce déposée. Toutes les autres marques de commerce sont la propriété de leur propriétaire respectif.

Cooper Lighting Solutions es una marca comercial registrada. Todas las marcas comerciales son propiedad de sus respectivos propietarios.

Product availability, specifications, and compliances are subject to change without notice

La disponibilité du produit, les spécifications et les conformités peuvent être modifiées sans préavis

La disponibilidad de productos, las especificaciones y los cumplimientos están sujetos a cambio sin previo aviso