

## DESCRIPTION

High efficacy low profile track fixture ideal for accent and display lighting applications. Featuring die cast construction with a simple low profile design. These lampholders are perfect for those applications where performance is required from a discreet source.

Catalog #		Type
Project		
Comments		Date
Prepared by		

## SPECIFICATION FEATURES

### Quick Lock Adapter

Attaches electrically and mechanically anywhere along the track. Includes discrete locking tab that locks the luminaire on the track and allows for easy removal and repositioning.

### Driver Housing

Die-cast and extruded aluminum housing incorporates the lamp control circuit.

### Heat Sink

Aluminum die-cast heat sink provides exceptional thermal management to yield 70% lumen maintenance after 50,000 hours of operation.

### Luminaire Arm

Arm allows the lamp housing tilt to adjust +/- 90° horizontally. This enables the ballast housing to remain static on the track creating a clean look while providing full aiming capabilities.

### LED Light Engine

Equipped with (9) 3-Watt white LEDs. Configurable optic allows for 3 optical distributions and can be changed in the field to adjust to the current lighting need. CRI of 85.

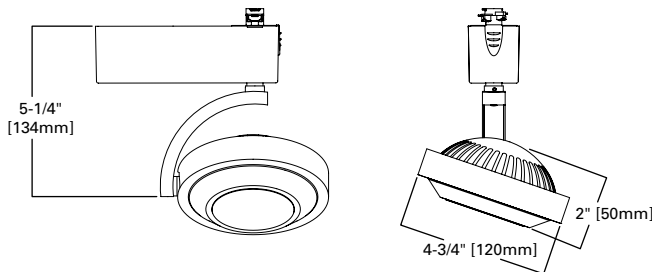
### Dimming

The 806/807 is dimmable to 15% with trailing-edge electronic low voltage equipment. (ELV dimmers need a neutral connection in the wall box.) See our website for dimmer compatibility guide [www.cooperlighting.com](http://www.cooperlighting.com). Dimming only available with 120V configurations.

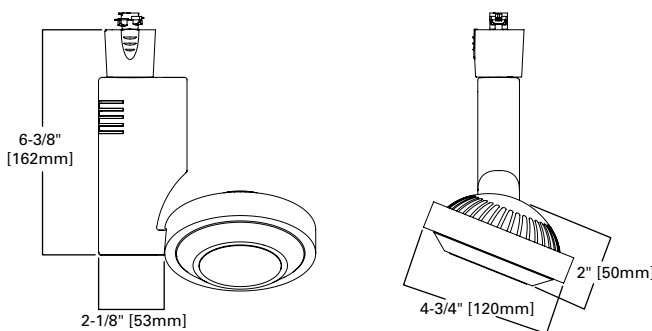
### Compliance

- UL/cUL listed for use with Halo Power-Trac and Lazer Track.
- UL/cUL classified for Juno [See Footnote #1 in Ordering Information], Lightolier [See Footnote #2], and Global [See Footnote #3] TEK/HTEK Track.
- DesignLights™ consortium qualified. Refer to [www.designlights.org](http://www.designlights.org) qualified products list for details.
- Options to meet Trade Agreements Act requirements

### L806



### L807



L806



L807

L806  
L807  
Halo LED

18W



3000 K	CBCP
Spot 15°	11,057
Narrow Flood 22°	8990
Flood 37°	2480

### Lighting Data 3000 K Spot

Lumens:	1253
Lumens per watt:	70.8
Watts at 120VAC	17.71

### Energy Data:

Input Power:	17.71W
Power Factor:	>.9
Input Current:	.149 Amps

**ORDERING INFORMATION**

**SAMPLE NUMBER:** L806SP830AH (Halo or Lazer Track connector, Spot Distribution, 3000 K, with Aluminum Haze Finish)

Domestic Preferences <sup>5</sup>	Track	LED	Beam	CRI	CCT	Finish	Voltage	Trim Ring
[Blank]=Standard TAA= Trade Agreements Act	L=Halo Power Trac and Lazer Track LJ=Juno® Track <sup>1</sup> LL=Lightolier® Track <sup>2</sup> L2G=Global® TEK or HTEK <sup>3,4</sup>	806=806 807=807	FL=Flood 37° NF=Narrow Flood 22° SP=Spot 15°	80=85	30=3000 K 40=4000 K	AH=Aluminum Haze MB=Black P=White	277=277 VAC (Only with HTEK) [Blank]=120V	[Blank]=Existing/Short Snoot LS=Long Snoot

**Accessories (order separately) <sup>6</sup>**

OPK8067SP=Kit, Optics 806, 807 Spot  
OPK8067NF=Kit, Optics 806, 807 Narrow Flood  
OPK8067FL=Kit, Optics 806SM, 807SM Flood

**NOTES:** 1. Juno® T single circuit and 2-circuit track contact. Juno® is a registered trademark of Juno® Lighting. 2. Lightolier® Lyfespan 6000 single circuit and 2 circuit track contact. Lightolier® is a registered trademark of Philips Lighting. 3. Global® is a registered trademark of Nordic Aluminum. 4. L2G track it is only available for the 807. 5. Only product configurations with this designated prefix are built to be compliant with the Trade Agreements Act of 1979 (TAA). Please refer to [DOMESTIC PREFERENCES](#) website for more information. Components shipped separately may be separately analyzed under domestic preference requirements. 6. Accessories sold separately will be separately analyzed under domestic preference requirements. Consult factory for further information.

DesignLights™ Consortium Qualified. Refer to [www.designlights.org](http://www.designlights.org) Qualified Products List under Family Models for details.

**PHOTOMETRICS**

Color Temp = 3000K  
4000K Multiplier = 1.25

	0 deg Aiming Angle Horizontal Footcandles				30 deg Aiming Angle Horizontal Footcandles					30 deg Aiming Angle Vertical Footcandles on Wall					60 deg Aiming Angle Vertical Footcandles on Wall				
	D	FC	L	W	D	FC	L	W	CB	D	FC	L	W	CB	D	FC	L	W	CB
Wide Spot: 15°	5	442	1.4	1.4	5	287	1.7	1.5	2.9	3	180	2.6	1.5	5.2	3	798	1	0.9	1.7
CBCP: 11057	7.5	197	2	2	7.5	128	2.6	2.3	4.3	4	101	3.4	1.9	6.9	4	449	1.4	1.2	2.3
Lumens: 1253	10	111	2.7	2.7	10	72	3.5	3.1	5.8	5	65	4.3	2.4	8.7	5	287	1.7	1.5	2.9
LpW: 70.8	12.5	71	3.4	3.4	12.5	46	4.3	3.8	7.2	6	45	5.1	2.9	10.4	6	199	2.1	1.8	3.5
	15	49	4.1	4.1	15	32	5.2	4.6	8.7										
Narrow Flood: 22°	5	360	1.7	1.7	5	234	2.2	1.9	2.9	3	158	2.9	1.7	5.2	3	649	1.3	1.1	1.7
CBCP: 8990	7.5	160	2.5	2.5	7.5	104	3.3	2.8	4.3	4	89	3.9	2.3	6.9	4	365	1.7	1.5	2.3
Lumens: 1289	10	90	3.3	3.3	10	58	4.3	3.8	5.8	5	57	4.9	2.9	8.7	5	234	2.2	1.9	2.9
LpW: 72.4	12.5	58	4.2	4.2	12.5	37	5.4	4.7	7.2	6	40	5.8	3.5	10.4	6	162	2.6	2.3	3.5
	15	40	5	5	15	26	6.5	5.7	8.7										
Flood: 37°	5	99	3.2	3.2	5	72	3.6	3.4	2.9	3	67	3.2	2.7	5.2	3	201	2.2	2.1	1.7
CBCP: 2480	7.5	44	4.8	4.8	7.5	32	5.5	5.2	4.3	4	38	4.3	3.6	6.9	4	113	2.9	2.8	2.3
Lumens: 1228	10	25	6.4	6.4	10	18	7.3	6.9	5.8	5	24	5.4	4.5	8.7	5	72	3.6	3.4	2.9
LpW: 69	12.5	16	8	8	12.5	12	9.1	8.6	7.2	6	17	6.5	5.4	10.4	6	50	4.4	4.1	3.5
	15	11	9.6	9.6	15	8	10.9	10.3	8.7										

**Notes and Definitions:**

Beam spread is to 50% center beam candlepower (CBCP.)  
D=Distance in feet to floor or wall.  
FC=Footcandles on floor or wall at center beam aiming location.  
L=Effective Visual Beam length in feet (50% of maximum footcandle level.)  
W=Effective Visual Beam width in feet (50% of maximum footcandle level.)  
CB=Distance in feet across or down to center beam location.

