

Project		Catalog #		Type	
Prepared by		Notes		Date	



# Invue

## ICS/ICM Icon LED

Architectural Area/Site Luminaire

### Product Features



### Interactive Menu

- Order Information [page 2](#)
- Product Specifications [page 3](#)
- Mounting configurations and epas [page 4](#)
- Energy & Performance data [page 6](#)
- Control Options [page 8](#)

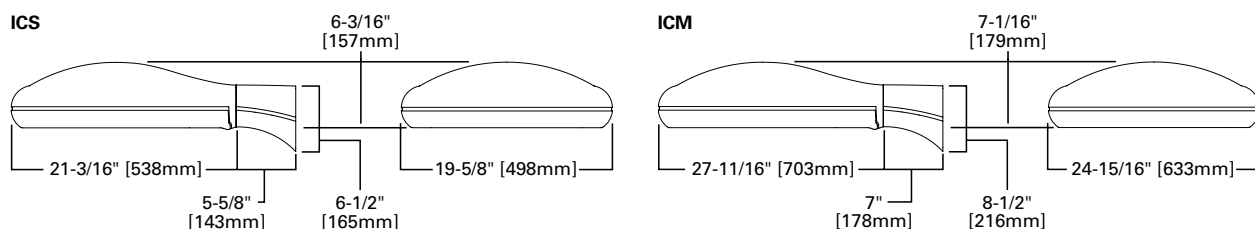
### Product Certifications



### Quick Facts

- Round form and wide variety of mounting styles to enhance any architectural design
- Up to 15,000 lumens
- 13 AccuLED optic distributions
- 70 CRI, 4000K CCT standard; 3000K CCT options in 70 or 80 CRI
- 3G vibration rated
- Available in 120-277V/50, 0Hz, 347V/60Hz, 480V/60Hz
- Ambient operating temperature from -40°C to +40°C
- IP66 rated housing

### Dimensional and Mounting Details



Ordering Information

SAMPLE NUMBER: ICS-E04-LED-E1-T3-GM

Product Family <sup>1,2,3</sup>	Number of LightBARs <sup>4,5</sup>	Lamp Type	Voltage	Distribution	Color <sup>8</sup>
<b>ICS</b> =Icon Small <b>ICM</b> =Icon Medium <b>BAA-ICS</b> =Icon Small Buy American Act Compliant <sup>26</sup> <b>BAA-ICM</b> = Icon Medium Buy American Act Compliant <sup>26</sup>	<b>E01</b> =(1) 21 LED LightBAR <b>E02</b> =(2) 21 LED LightBARs <b>E03</b> =(3) 21 LED LightBARs <b>E04</b> =(4) 21 LED LightBARs <b>E05</b> =(5) 21 LED LightBARs <sup>6</sup> <b>E06</b> =(6) 21 LED LightBARs <sup>6</sup> <b>F01</b> =(1) 7 LED LightBAR <b>F02</b> =(2) 7 LED LightBARs <b>F03</b> =(3) 7 LED LightBARs <b>F04</b> =(4) 7 LED LightBARs <b>F05</b> =(5) 7 LED LightBARs <sup>6</sup> <b>F06</b> =(6) 7 LED LightBARs <sup>6</sup>	<b>LED</b> =Solid State Light Emitting Diode	<b>E1</b> =Universal (120-277V) <b>347</b> =347V <b>480</b> =480V <sup>7</sup> <b>D1</b> =0-10V Dimming Driver	<b>T2</b> =Type II <b>T3</b> =Type III <b>T4</b> =Type IV <b>5MQ</b> =Type V Square Medium <b>5WQ</b> =Type V Square Wide <b>5XQ</b> =Type V Square Extra Wide <b>RW</b> =Rectangular Wide <b>SL2</b> =Type II with Spill Control <b>SL3</b> =Type III with Spill Control <b>SL4</b> =Type IV with Spill Control <b>SLL</b> =90° Spill Light Eliminator Left <b>SLR</b> =90° Spill Light Eliminator Right	<b>AP</b> =Grey <b>BZ</b> =Bronze <b>BK</b> =Black <b>DP</b> =Dark Platinum <b>GM</b> =Graphite Metallic <b>WH</b> =White
Structural Options <sup>2,9</sup>		Options (Add as Suffix)			
<b>Pole Mount</b> <b>PRCPS</b> =Strut Rod and Clevis Set for Square Pole (Painted to match fixture. Does not include arm) <sup>10</sup> <b>PRCSS</b> =Stainless Strut Rod and Clevis Set for Square Pole (Clevis painted to match fixture. Does not include arm) <sup>10</sup> <b>PRCPR</b> =Strut Rod and Clevis Set for Round Pole (Painted to match fixture. Does not include arm) <sup>11</sup> <b>PRCSR</b> =Stainless Strut Rod and Clevis Set for Round Pole (Clevis painted to match fixture. Does not include arm) <sup>11</sup>  <b>Wall Mount</b> <b>WRCP</b> =Strut Rod and Clevis Set (Painted to match fixture. Does not include arm) <sup>12</sup> <b>WRCS</b> =Stainless Steel Strut Rod and Clevis Set (Clevis painted to match fixture. Does not include arm) <sup>12</sup>		<b>PC</b> =Button Type Photocontrol (Specify Voltage) <b>PER</b> =Standard 3-PIN Photocontrol Receptacle <b>PER7</b> =NEMA 7-PIN Twistlock Photocontrol Receptacle <sup>28</sup> <b>2L</b> =Two Circuits <sup>13</sup> <b>LCF</b> =LightBAR Cover Plate Matches Housing Finish <b>7030</b> =70 CRI / 3000K CCT <sup>14</sup> <b>8030</b> =80 CRI / 3000K CCT <sup>14</sup> <b>L90</b> =Optics Rotated Left 90° <b>R90</b> =Optics Rotated Right 90° <b>LWR-LW</b> =LumaWatt Pro Wireless Sensor, Wide Lens for 8' - 16' Mounting Heights <sup>15,16,17</sup> <b>LWR-LN</b> =LumaWatt Pro Wireless Sensor, Narrow Lens for 16' - 40' Mounting Heights <sup>15,16,17</sup> <b>MS/DIM-LXX</b> =Motion Sensor for Dimming Operation <b>MS-LXX</b> =Motion Sensor for ON/OFF Operation <sup>18</sup> <b>MS/X-LXX</b> =Motion Sensor for Bi-Level Switching <sup>18</sup> <b>F</b> =Single Fuse (120 or 277V. Specify Voltage) <b>FF</b> =Double Fuse (208, 240 or 480V. Specify Voltage) <b>HSS</b> =Factory Installed House Side Shield <sup>19</sup> <b>DIM</b> =0-10V Dimming Leads Outside Fixture (Change E1 to D1 on Voltage Option) <sup>29</sup>			
Accessories (Order Separately) <sup>20,27</sup>					
<b>OA/RA1016</b> =NEMA Photocontrol - Multi-Tap <b>OA/RA1027</b> =NEMA Photocontrol - 480V <b>OA/RA1201</b> =NEMA Photocontrol - 347V <b>MA1253</b> =10kV Circuit Module Replacement <b>LB/HSS-7</b> =Field Installed House Side Shield for "E" LightBARs <sup>21</sup> <b>LB/HSS-21</b> =Field Installed House Side Shield for "F" LightBARs <sup>21</sup> ICS Mounting Accessories (Order Separately) <b>SDS-ARM-XX</b> =Slide Single Arm <b>VA1001-XX</b> =Wall Mount Kit w/Upsweep Arm <sup>22</sup> <b>VA1005-XX</b> =Upsweep Arm for Square Pole <b>VA1006-XX</b> =Upsweep Arm for Round Pole <b>VA1013-XX</b> =Structural Mount Wall Mount Arm <sup>25</sup> <b>VA1017-XX</b> =Mast Arm Adapter Kit <b>VA1019-XX</b> =Single Tenon Adapter for 2-3/8" O.D. Tenon <b>VA1020-XX</b> =2@180° Tenon Adapter for 2-3/8" O.D. Tenon <b>VA1021-XX</b> =3@120° Tenon Adapter for 2-3/8" O.D. Tenon <b>VA1022-XX</b> =4@90° Tenon Adapter for 2-3/8" O.D. Tenon <b>VA1023-XX</b> =2@90° Tenon Adapter for 2-3/8" O.D. Tenon <b>VA1024-XX</b> =3@90° Tenon Adapter for 2-3/8" O.D. Tenon <b>VA1025-XX</b> =2@120° Tenon Adapter for 3-1/2" O.D. Tenon <b>VA1026-XX</b> =Single Tenon Adapter for 3-1/2" O.D. Tenon <b>VA1027-XX</b> =2@180° Tenon Adapter for 3-1/2" O.D. Tenon <b>VA1028-XX</b> =3@120° Tenon Adapter for 3-1/2" O.D. Tenon <b>VA1029-XX</b> =4@90° Tenon Adapter for 3-1/2" O.D. Tenon <b>VA1030-XX</b> =2@90° Tenon Adapter for 3-1/2" O.D. Tenon <b>VA1031-XX</b> =3@90° Tenon Adapter for 3-1/2" O.D. Tenon <b>VA1032-XX</b> =2@120° Tenon Adapter for 3-1/2" O.D. Tenon		<b>ICM Mounting Accessories (Order Separately)</b> <b>SDM1-ARM-XX</b> =Slide Single Arm <b>SDM2-ARM-XX</b> =Slide Twin Arm <b>VA1003-XX</b> =Wall Mount Kit w/Upsweep Arm <sup>22</sup> <b>VA1004-XX</b> =Wall Mount Kit w/Linear Arm <sup>22</sup> <b>VA1011-XX</b> =Upsweep Arm for Square Pole <b>VA1012-XX</b> =Upsweep Arm for Round Pole <b>VA1014-XX</b> =Linear Arm for Square Pole <b>VA1015-XX</b> =Linear Arm for Round Pole <b>VA1018-XX</b> =Mast Arm Adapter Kit <b>VA1074-XX</b> =Structural Mount Wall Mount Arm <sup>23</sup> <b>VA1033-XX</b> =Single Tenon Adapter for 2-3/8" O.D. Tenon <b>VA1034-XX</b> =2@180° Tenon Adapter for 2-3/8" O.D. Tenon <b>VA1035-XX</b> =3@120° Tenon Adapter for 2-3/8" O.D. Tenon <b>VA1036-XX</b> =4@90° Tenon Adapter for 2-3/8" O.D. Tenon <b>VA1037-XX</b> =2@90° Tenon Adapter for 2-3/8" O.D. Tenon <b>VA1038-XX</b> =3@90° Tenon Adapter for 2-3/8" O.D. Tenon <b>VA1039-XX</b> =2@120° Tenon Adapter for 2-3/8" O.D. Tenon <b>VA1040-XX</b> =Single Tenon Adapter for 3-1/2" O.D. Tenon <b>VA1041-XX</b> =2@180° Tenon Adapter for 3-1/2" O.D. Tenon <b>VA1042-XX</b> =3@120° Tenon Adapter for 3-1/2" O.D. Tenon <b>VA1043-XX</b> =4@90° Tenon Adapter for 3-1/2" O.D. Tenon <b>VA1044-XX</b> =2@90° Tenon Adapter for 3-1/2" O.D. Tenon <b>VA1045-XX</b> =3@90° Tenon Adapter for 3-1/2" O.D. Tenon <b>VA1046-XX</b> =2@120° Tenon Adapter for 3-1/2" O.D. Tenon <b>WOLC-7P-10A</b> =WaveLinX Outdoor Control Module (7-pin) <sup>24</sup>			
<b>NOTES:</b> 1. Customer is responsible for engineering analysis to confirm pole and fixture compatibility for all applications. Refer to our white paper WP513001EN for additional support information. 2. DesignLights Consortium® Qualified. Refer to <a href="http://www.designlights.org">www.designlights.org</a> Qualified Products List under Family Models for details. 3. Arm not included. Order separately. 4. Standard 4000K CCT and greater than 70 CRI. 5. 21 LED LightBAR powered at 350mA, 7 LED LightBAR powered at 1A. 6. Available with ICM only. 7. Only for use with 480V Wye systems. Per NEC, not for use with ungrounded systems, impedance grounded systems or corner grounded systems (commonly known as Three Phase Three Wire Delta, Three Phase High Leg Delta and Three Phase Corner Grounded Delta systems). 8. Custom and RAL color matching available upon request. Consult your customer service representative for more information. 9. Add as suffix in the order shown. 10. Square pole mount structural options do not include arm assembly (See accessories). Compatible with VA1008 (ICS) or VA1014 (ICM) linear arm only. 11. Round pole mount structural options do not include arm assembly (see accessories.) Compatible with VA1006 (ICS) or VA1015 (ICM) only. 12. Wall mount structural options do not include arm assembly (See accessories). Compatible with VA1013 (ICS) or VA1074 (ICM) structural mount wall arm only. 13. Low-level output varies by bar count. Consult factory. Requires two or more light bars. 14. Extended lead times apply. See website for IES files. 15. Includes integral photosensor. 16. LumaWatt wireless sensors are factory installed requiring network components in appropriate quantities. See <a href="http://www.cooperlighting.com">www.cooperlighting.com</a> for LumaWatt application information. 17. Bronze sensor is shipped with bronze fixtures. White sensor shipped on all other housing color options. 18. Sensor mounted to the luminaire. Available in E02-E04 and F02-F04 configurations. Replace X with number of light bars operating at low output mode and replace XX with mounting height in feet for proper lens selection (e.g., MS/3-L25). Maximum four light bars in low output mode. Consult factory for more information. 19. Only for use with SL2, SL3 and SL4 distributions. Not available with L90 or R90 options. 20. Replace XX with color designation. 21. One required for each LightBAR. Not available with L90 or R90 options. 22. For use in downlighting applications only. 23. Includes arm only. Must specify WRCP or WRCS in fixture ordering logic. Downlighting applications only. 24. Requires 7-pin NEMA twistlock photocontrol receptacle. The WOLC-7 cannot be used in conjunction with additional sensors or controls. 25. Includes upsweep arm only. 26. Only product configurations with this designated prefix are built to be compliant with the Buy American Act of 1933 (BAA). Please refer to DOMESTIC PREFERENCES website for more information. Components shipped separately may be separately analyzed under domestic preference requirements. 27. Accessories sold separately will be separately analyzed under domestic preference requirements. Consult factory for further information. 28. Not available with DIM option. 29. Not available with PER7 option.					

## Product Specifications

### Construction

**HOUSING:** Heavy-wall, one-piece, die-cast aluminum housing has precise tolerance control and repeatability in manufacturing. Integral aluminum heat sink provides superior heat transfer in +40°C ambient environment. **DOOR:** One-piece, die-cast aluminum construction with tool-less release latch. Door swings down and is retained on heavy duty leaf/pin hinge. **GASKET:** Continuous gasket provided to seal housing to door. **HARDWARE:** Tool-less release button latches are stainless steel/aluminum construction, painted to match housing and allow access to internal housing and electrical components.

### Optics

Choice of twelve patented, high-efficiency AccuLED Optics™ distributions. Optics are precisely designed to shape the light output, maximizing efficiency and application spacing. AccuLED Optics technology creates consistent distributions with the scalability to meet customized application requirements. Offered Standard in 4000K (+/- 275K) CCT and minimum 70 CRI. Optional 3000K CCT, 70 or 80 CRI. For the ultimate level of spill light control, an optional house-side shield accessory can be field or factory installed. The house-side shield is designed to seamlessly integrate with the SL2, SL3 or SL4 optics.

### Electrical

LED drivers mount to die-cast aluminum back housing for optimal heat sinking, operation efficacy, and prolonged life. Standard drivers feature electronic universal voltage (120-277V 50/60Hz), 347V 60Hz or 480V 60Hz operation. 480V is compatible for use with 480V Wye systems only. Greater than 0.9 power factor, less than 20% harmonic distortion, and is suitable for operation in -40°C to 40°C ambient environments. All fixtures are shipped standard with 10kV/10kA common – and differential – mode surge protection. LightBARs feature an IP66 enclosure rating and maintain greater than 95% lumen maintenance at 60,000 hours per IESNA TM-21. Occupancy sensor and dimming options available.

### Mounting

**UPSWEEP ARM:** Manufactured of heavy-wall cast aluminum. Internal bolt guides provided for positioning arm to housing and pole. **LINEAR ARM:** Manufactured of heavy-wall extruded aluminum. Arm features internal bolt guides for positioning arm to housing and pole. **STRUCTURAL MOUNT:** Die-cast aluminum cleat, factory mounted and finished in luminaire color. Stainless steel structural rod measures 1/2" in diameter and is provided in luminaire finish or optional natural finish. Product functions in conjunction with linear arm. Invue poles provided pre-drilled for suspension mount applications. See Invue pole brochure for complete selection of matching poles. **STRUCTURAL WALL MOUNT:** Die-cast aluminum cleat, factory mounted to luminaire and finished in luminaire color. Stainless steel structural rod measures 1/2" in diameter and is provided in luminaire finish or optional natural finish. Wall bracket works in conjunction with linear arm. Mounting arms ordered separately.

### Slide Arm

The elegant slide arm presents Icon in a suspended, balanced look. The forward cantilever arm and rear suspension structure connect the luminaire and pole in a dramatic, flowing architectural form. Arm weldment assembly manufactured of 6061, 6063 cast aluminum subcomponents. The Medium Icon Arm (SDM) assembly mounts to a 5" O.D. round straight pole equipped with a 4" O.D. by 10" tall tenon. The Small Icon Arm (SDS) fits 4" O.D. tenon or slipfits over a 4" round straight pole. Arm secures to pole with provided stainless steel hex head fasteners and includes a removable side cap for wire access and inspection.

### Weight and EPA

- **Shipping:**  
ICS Icon Small: 37 lbs. (16.82 kgs.)  
ICM Icon Medium: 50 lbs. (22.73 kgs.)
- **EPA**  
Effective Projected Area: (Sq. Ft.)  
ICS Icon Small:  
Single: 0.69  
Single Structural: 0.71  
ICM Icon Medium:  
Single: 1.09  
Single Structural: 1.11

### Finish

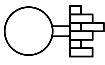
Housing is finished in five-stage super TGIC polyester powder coat paint, 2.5 mil nominal thickness for superior protection against fade and wear. LightBAR cover plates are standard white and may be specified to match finish of luminaire housing. Standard colors include black, bronze, grey, white, dark platinum and graphite metallic. RAL and custom color matches available. Consult Outdoor Architectural Colors brochure for a complete selection. Options to meet Buy American Act requirements.

### Warranty

Five-year warranty.

Mounting configurations and epas

Wall Mount



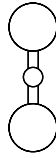
Arm Mount Single

ICS: 0.69  
ICM: 1.09



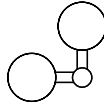
Arm Mount 2 @ 180°

ICS: 1.38  
ICM: 2.18



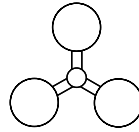
Arm Mount 2 @ 90°

ICS: 1.38  
ICM: 2.18



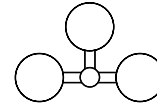
Arm Mount 3 @ 120° (Round Pole Only)

ICS: 1.84  
ICM: 2.88



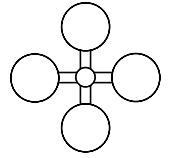
Arm Mount 3 @ 90°

ICS: 1.84  
ICM: 2.88



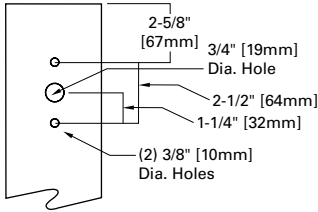
Arm Mount 4 @ 90°

ICS: 2.07  
ICM: 3.2



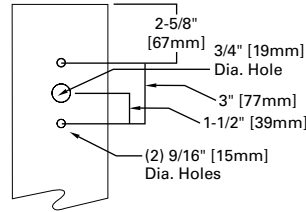
Arm Drilling ICS

TYPE "A"



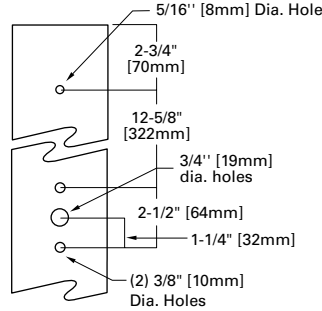
Arm Drilling ICM

TYPE "C"



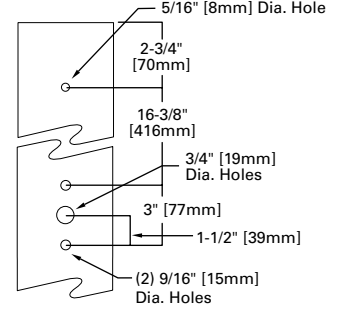
Structural Mount ICS

TYPE "J"

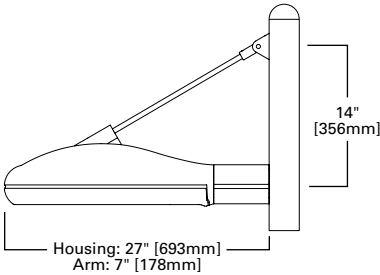


Structural Mount ICM

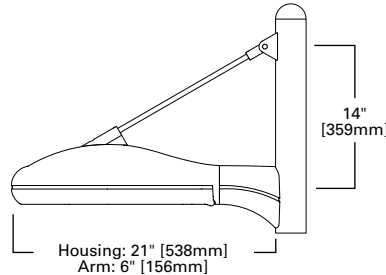
TYPE "K"



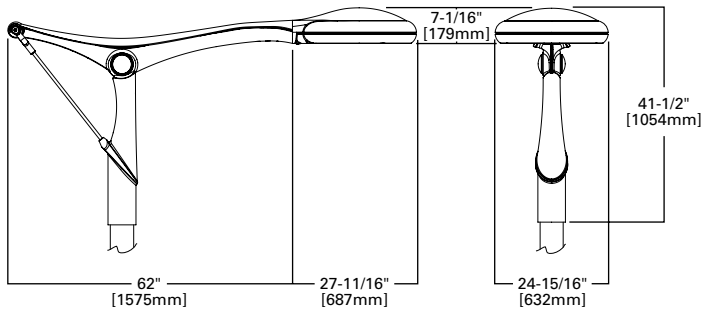
Structural Mount Option ICM



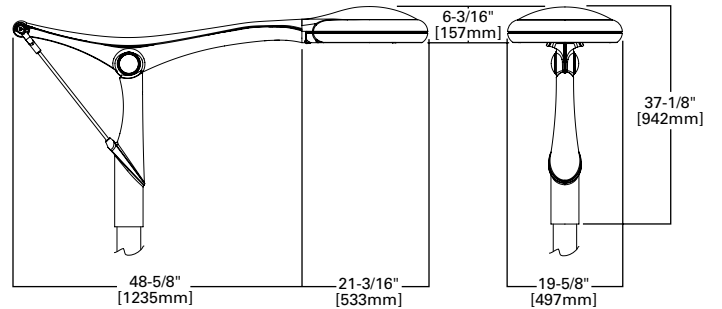
Structural Mount Option ICS



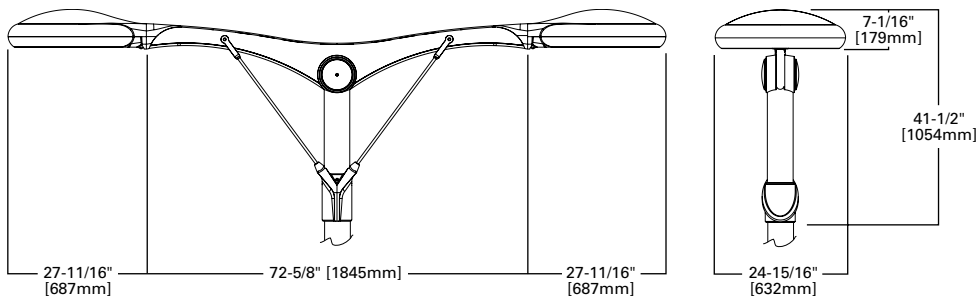
SDM-1 SLIDE ARM, EPA = 3.5 SQ.FT Shipping Weight 108 LBS (Medium Icon Only)



SDS SLIDE ARM, EPA = 2.9 SQ.FT Shipping Weight 88 LBS (Small Icon Only)



SDM-2 SLIDE ARM, EPA = 4.8 SQ.FT Shipping Weight 177 LBS (Medium Icon Only)

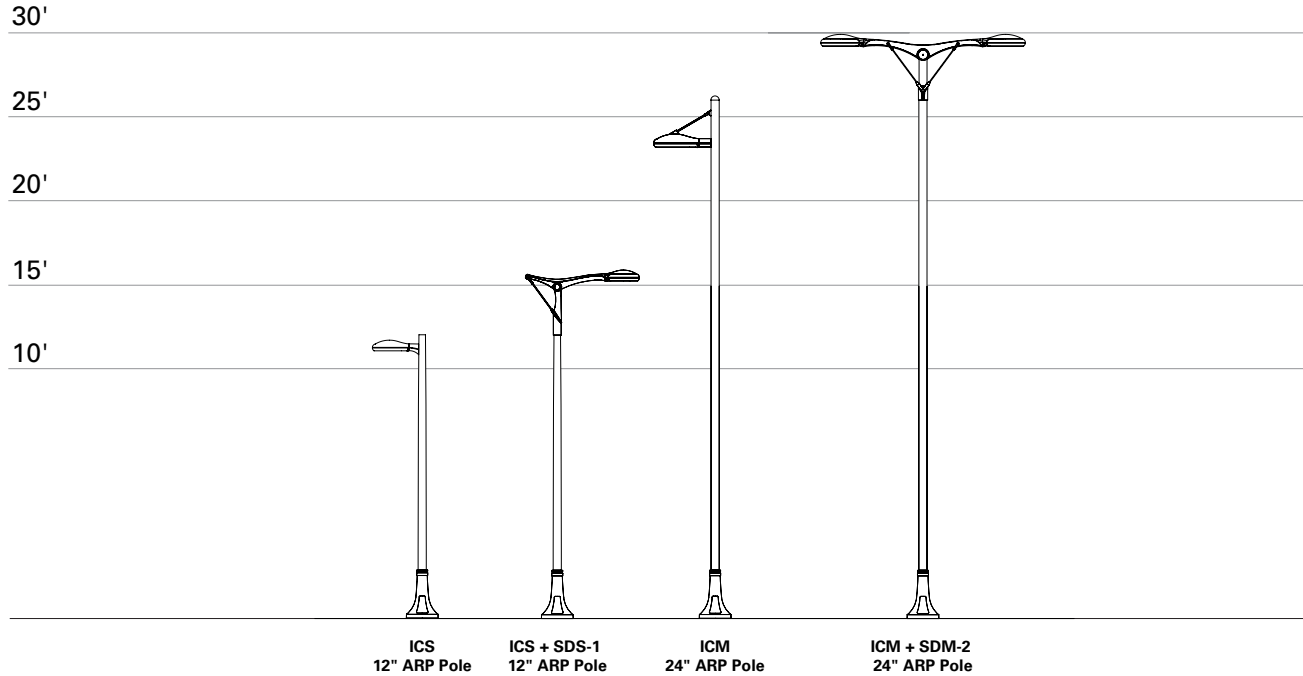


### Mounting configurations and epas

#### Pole Options

##### Brining Poles and Luminaires Together

INVUE offers a full line of decorative and standard poles that can bring luminaire and pole together as an integrated, flowing system from the ground up. Consult the INVUE Poles brochure for ordering information and product specifications.



Energy and Performance Data

Power and Lumens by Bar Count (21 LED LightBAR)

Number of LightBARs		E01	E02	E03	E04	E05	E06
Drive Current		350mA Drive Current					
Power (Watts)		25W	52W	75W	97W	127W	150W
Current @ 120V (A)		0.22	0.44	0.63	0.82	1.07	1.26
Current @ 277V (A)		0.10	0.20	0.28	0.36	0.48	0.56
Power (Watts)		31W	58W	82W	99W	132W	159W
Current @ 347V (A)		0.11	0.19	0.28	0.29	0.39	0.48
Current @ 480V (A)		0.09	0.15	0.20	0.21	0.30	0.36
T2	Lumens	2,850	5,700	8,550	11,400	14,251	17,101
	BUG Rating	B1-U0-G1	B2-U0-G2	B2-U0-G2	B3-U0-G3	B3-U0-G3	B3-U0-G3
T3	Lumens	2,869	5,738	8,606	11,475	14,344	17,213
	BUG Rating	B1-U0-G1	B2-U0-G2	B3-U0-G3	B3-U0-G3	B3-U0-G3	B3-U0-G3
T4	Lumens	2,811	5,622	8,434	11,245	14,056	16,867
	BUG Rating	B1-U0-G1	B1-U0-G2	B1-U0-G2	B2-U0-G2	B2-U0-G3	B2-U0-G3
5MQ	Lumens	2,999	5,998	8,997	11,995	14,994	17,993
	BUG Rating	B2-U0-G1	B3-U0-G1	B3-U0-G2	B3-U0-G2	B4-U0-G2	B4-U0-G2
5WQ	Lumens	2,962	5,923	8,885	11,847	14,808	17,770
	BUG Rating	B2-U0-G1	B3-U0-G1	B3-U0-G2	B4-U0-G2	B4-U0-G2	B4-U0-G3
5XQ	Lumens	2,959	5,918	8,876	11,834	14,793	17,751
	BUG Rating	B2-U0-G1	B3-U0-G1	B3-U0-G3	B4-U0-G3	B4-U0-G3	B4-U0-G4
SL2	Lumens	2,842	5,684	8,526	11,368	14,210	17,052
	BUG Rating	B1-U0-G1	B1-U0-G2	B2-U0-G2	B2-U0-G2	B3-U0-G3	B3-U0-G3
SL3	Lumens	2,824	5,649	8,473	11,297	14,122	16,946
	BUG Rating	B1-U0-G1	B1-U0-G2	B2-U0-G2	B2-U0-G2	B2-U0-G3	B3-U0-G3
SL4	Lumens	2,748	5,496	8,244	10,992	13,740	16,488
	BUG Rating	B1-U0-G1	B1-U0-G2	B2-U0-G2	B2-U0-G2	B2-U0-G3	B3-U0-G3
RW	Lumens	2,906	5,812	8,718	11,624	14,530	17,436
	BUG Rating	B2-U0-G1	B3-U0-G1	B3-U0-G1	B3-U0-G2	B4-U0-G2	B4-U0-G2
SLL/SLR	Lumens	2,588	5,177	7,765	10,353	12,942	15,530
	BUG Rating	B1-U0-G1	B1-U0-G2	B1-U0-G3	B2-U0-G3	B2-U0-G3	B2-U0-G3

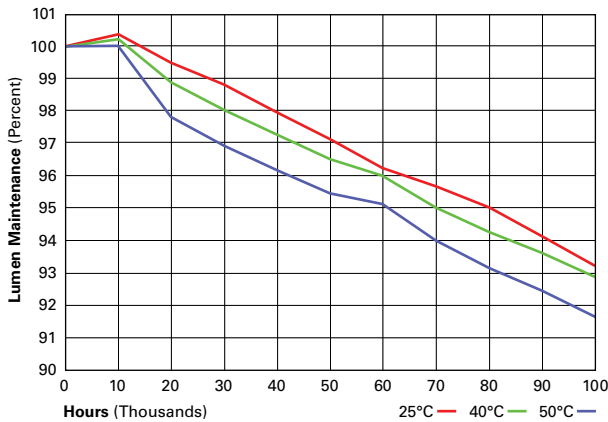
Lumen Maintenance

Ambient Temperature	25,000 Hours*	50,000 Hours*	60,000 Hours*	100,000 Hours	Theoretical L70 (Hours)
25°C	> 99%	> 97%	> 96%	> 93%	> 450,000
40°C	> 98%	> 97%	> 96%	> 92%	> 425,000
50°C	> 97%	> 96%	> 95%	> 91%	> 400,000

\* Per IESNA TM-21 data.

Lumen Multiplier

Ambient Temperature	Lumen Multiplier
10°C	1.02
15°C	1.01
25°C	1.00
40°C	0.99



Energy and Performance Data

Power and Lumens by Bar Count (7 LED LightBAR)

Number of LightBARs	F01	F02	F03	F04	F05	F06	
Drive Current	1A Drive Current						
Power (Watts)	26W	55W	78W	102W	133W	157W	
Current @ 120V (A)	0.22	0.46	0.66	0.86	1.12	1.31	
Current @ 277V (A)	0.10	0.21	0.29	0.37	0.50	0.58	
Power (Watts)	32W	60W	85W	105W	137W	164W	
Current @ 347V (A)	0.11	0.19	0.28	0.30	0.41	0.49	
Current @ 480V (A)	0.09	0.15	0.21	0.22	0.31	0.37	
T2	Lumens	2,353	4,706	7,059	9,411	11,764	14,117
	BUG Rating	B1-U0-G1	B1-U0-G1	B2-U0-G2	B2-U0-G2	B3-U0-G3	B3-U0-G3
T3	Lumens	2,368	4,736	7,105	9,473	11,841	14,209
	BUG Rating	B1-U0-G1	B2-U0-G2	B2-U0-G2	B3-U0-G3	B3-U0-G3	B3-U0-G3
T4	Lumens	2,321	4,641	6,962	9,283	11,604	13,924
	BUG Rating	B1-U0-G1	B1-U0-G1	B1-U0-G2	B2-U0-G2	B2-U0-G2	B2-U0-G3
5MQ	Lumens	2,476	4,951	7,427	9,903	12,378	14,854
	BUG Rating	B2-U0-G1	B3-U0-G1	B3-U0-G1	B3-U0-G2	B4-U0-G2	B4-U0-G2
5WQ	Lumens	2,445	4,890	7,335	9,780	12,225	14,670
	BUG Rating	B2-U0-G1	B3-U0-G1	B3-U0-G2	B4-U0-G2	B4-U0-G2	B4-U0-G2
5XQ	Lumens	2,442	4,885	7,327	9,769	12,212	14,654
	BUG Rating	B2-U0-G1	B3-U0-G2	B3-U0-G2	B4-U0-G3	B4-U0-G3	B4-U0-G3
SL2	Lumens	2,346	4,692	7,038	9,384	11,731	14,077
	BUG Rating	B1-U0-G1	B1-U0-G1	B2-U0-G2	B2-U0-G2	B2-U0-G2	B3-U0-G3
SL3	Lumens	2,332	4,663	6,995	9,326	11,658	13,989
	BUG Rating	B1-U0-G1	B1-U0-G1	B1-U0-G2	B2-U0-G2	B2-U0-G2	B2-U0-G2
SL4	Lumens	2,269	4,537	6,806	9,074	11,343	13,611
	BUG Rating	B1-U0-G1	B1-U0-G1	B1-U0-G2	B2-U0-G2	B2-U0-G2	B2-U0-G3
RW	Lumens	2,399	4,798	7,197	9,596	11,995	14,394
	BUG Rating	B1-U0-G1	B2-U0-G1	B3-U0-G1	B3-U0-G1	B3-U0-G2	B4-U0-G2
SLL/SLR	Lumens	2,137	4,273	6,410	8,547	10,684	12,820
	BUG Rating	B1-U0-G1	B1-U0-G2	B1-U0-G2	B1-U0-G3	B2-U0-G3	B2-U0-G3

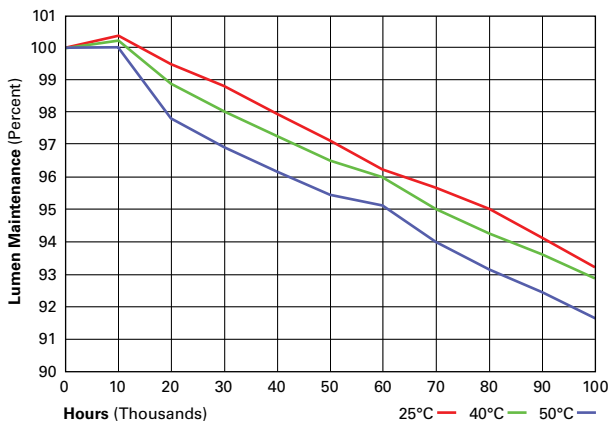
Lumen Maintenance

Ambient Temperature	25,000 Hours*	50,000 Hours*	60,000 Hours*	100,000 Hours	Theoretical L70 (Hours)
25°C	> 99%	> 97%	> 96%	> 93%	> 450,000
40°C	> 98%	> 97%	> 96%	> 92%	> 425,000
50°C	> 97%	> 96%	> 95%	> 91%	> 400,000

\* Per IESNA TM-21 data.

Lumen Multiplier

Ambient Temperature	Lumen Multiplier
10°C	1.02
15°C	1.01
25°C	1.00
40°C	0.99



Control Options

0-10V (DIM)

The DIM option provides 0-10V a dimming driver and dimming wire leads for use with a lighting control panel or other control method.

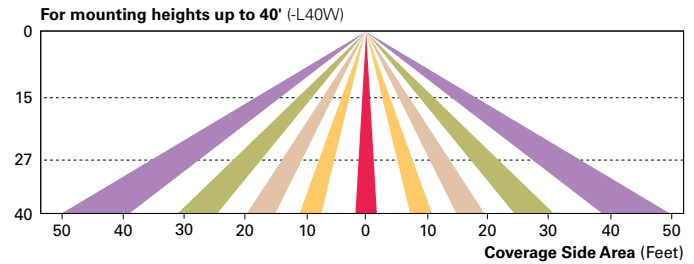
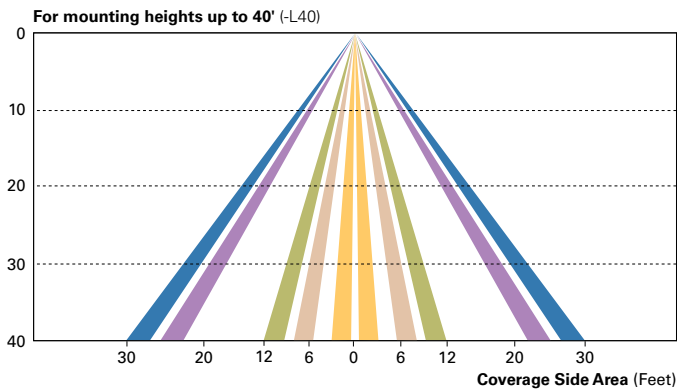
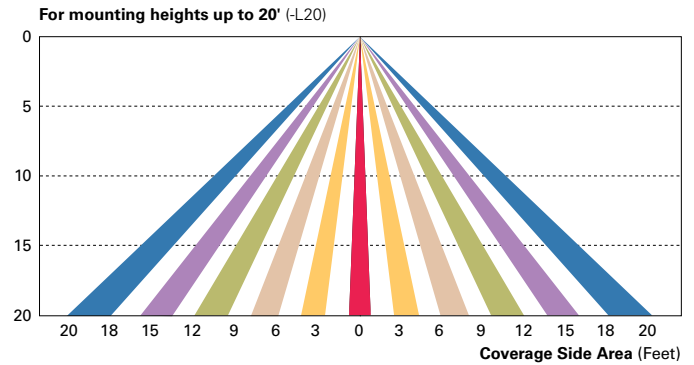
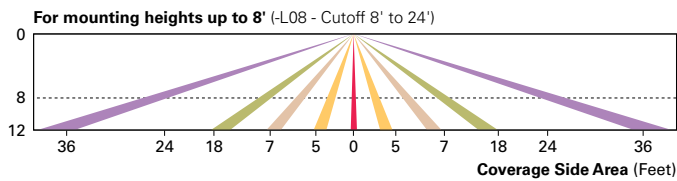
Photocontrol (PC, PER and PER7)

Optional button-type photocontrol (PC) and photocontrol receptacles (PER and PER7) provide a flexible solution to enable "dusk-to-dawn" lighting by sensing light levels. Advanced control systems compatible with NEMA 7-pin standards can be utilized with the PER7 receptacle.

Dimming Occupancy Sensor (MS/DIM-LXX, MS/X-LXX and MS-LXX)

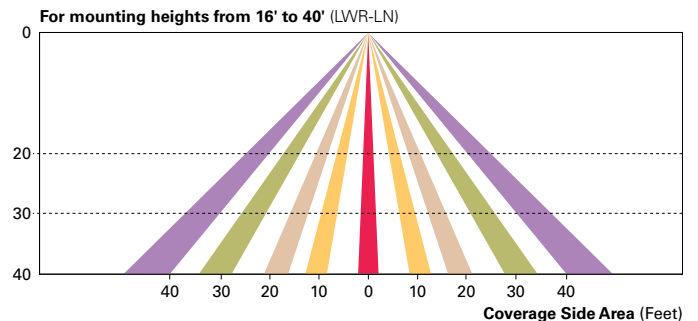
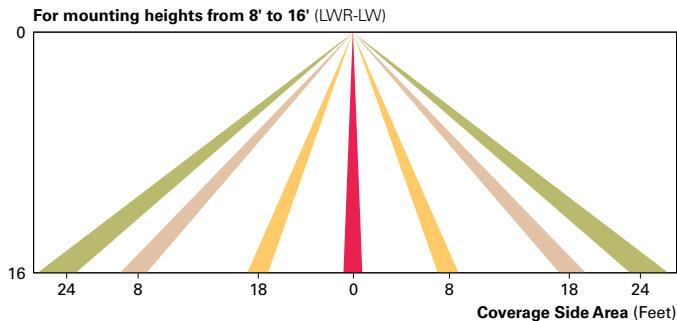
These sensors are factory installed in the luminaire housing. When the MS/DIM-LXX sensor option is selected, the occupancy sensor is connected to a dimming driver and the entire luminaire dims when there is no activity detected. When activity is detected, the luminaire returns to full light output. The MS/DIM sensor is factory preset to dim down to approximately 50 percent power with a time delay of five minutes. The MS-LXX sensor is factory preset to turn the luminaire off after five minutes of no activity. The MS/X-LXX is also preset for five minutes and only controls the specified number of light engines to maintain steady output from the remaining light engines.

These occupancy sensors includes an integral photocell that can be activated with the FSIR-100 accessory for "dusk-to-dawn" control or daylight harvesting - the factory preset is OFF. The FSIR-100 is a wireless tool utilized for changing the dimming level, time delay, sensitivity and other parameters. A variety of sensor lens are available to optimize the coverage pattern for mounting heights from 8'-40'.



LumaWatt Pro Wireless Control and Monitoring System (LWR-LW and LWR-LN)

The Eaton's LumaWatt Pro powered by Enlighted is a connected lighting solution that combines a broad selection of energy-efficient LED luminaires with a powerful integrated wireless sensor system. The sensor controls the lighting system in compliance with the latest energy codes and collects valuable data about building performance and use. Software applications turn the granular data into information through energy dashboards and specialized apps that make it simple and help optimize the use of building resources, beyond lighting.



WaveLinX Wireless Outdoor Lighting Control Module (WOLC-7P-10A)

The 7-pin wireless outdoor lighting control module enables WaveLinX to control outdoor area, site and flood lighting. WaveLinX controls outdoor lighting using schedules to provide ON, OFF and dimming controls based on astronomic or time schedules based on a 7 day week.