

DESCRIPTION

The WN Series is a specification wraparound luminaire featuring energy efficient performance. The luminaire's clean, low profile design is both appealing and functional. The WN Series utilizes a clear, low brightness, extruded acrylic refractor for high performance and aesthetics.

The efficient and stylish WN Series is the perfect wraparound for schools, offices and other commercial and retail spaces.

Catalog #		Type
Project		
Comments		Date
Prepared by		

SPECIFICATION FEATURES

Construction

Housing consists of die formed cold rolled steel. Ends formed with the housing for strength and provisions for continuous row aligners. Steel end plates with 7/8" KO and light-seal embossment. Ballast cover easily removed without tools.

Electrical*

Ballasts are CBM/ETL Class "P" and are positively secured by mounting bolt. Rotor lock lampholders. UL/CUL listed.

Lens

100% clear acrylic prismatic lens. Sides have inside linear prisms and bottom has pyramidal prisms for low brightness control.

Finish

Multistage, prepaint ensures maximum bonding and rust prevention.

Compliance

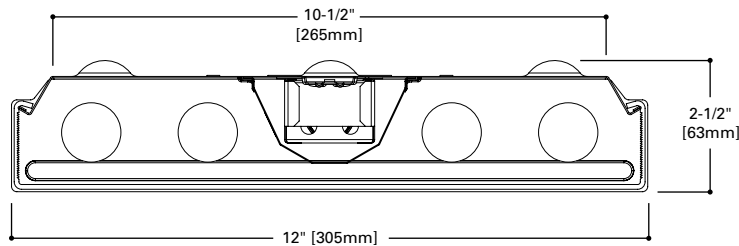
Suitable for use in clothes closets when installed in accordance with the NEC 410.16 spacing requirements.



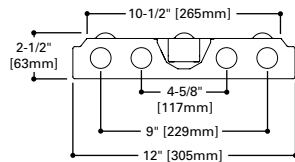
WN
428T8
432

4' SURFACE
4 T8 LAMPS

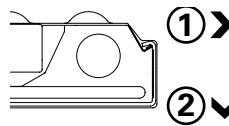
Commercial Wrap



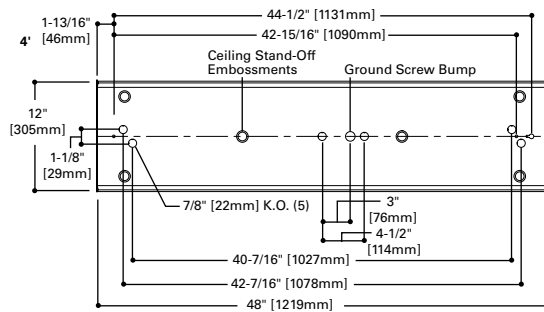
LAMP CONFIGURATIONS



LENS REMOVAL



MOUNTING DATA



ENERGY DATA

Input Watts:
EB Ballast & STD Lamps
428T8 (93)
432 (102)

Luminaire Efficacy Rating
LER = FW-84
Catalog Number: WN-432A
Yearly Cost of 1000 lumens,
3000 hrs at .08 KWH = \$2.86

*Reference the lamp/ballast data in the Technical Section for specific lamp/ballast requirements.

LAMPS CONTAIN MERCURY. DISPOSE ACCORDING TO LOCAL, STATE OR FEDERAL LAWS

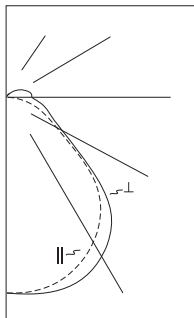
LINEAR DISCONNECT

Safe and convenient means of disconnecting power.



ADF081640
October 16, 2019

PHOTOMETRICS



WN-432-EB81-U
Energy Saving Ballast

F32T8/35K Lamps
3100 Lumens

Spacing criterion:
(II) 1.3 x mounting height, (⊥) 1.4 x mounting height

Efficiency 79.1%

Test Report:
134P131

LER = FW-84

Yearly Cost of 1000 lumens, 3000 hrs at .08 KWH = \$2.86

Coefficients of Utilization

rc	Effective floor cavity reflectance								20%															
	80%				70%				50%				30%				10%				0%			
	rw	70	50	30	10	70	50	30	10	50	30	10	50	30	10	50	30	10	50	30	10	50	30	10
RCR																								
0	93	93	93	93	90	90	90	90	84	84	84	79	79	79	74	74	74	72						
1	85	81	77	74	82	78	75	73	74	71	69	69	67	66	66	64	63	60						
2	77	71	66	61	75	69	64	60	65	61	58	61	58	55	58	55	53	51						
3	71	63	57	52	68	61	55	51	58	53	49	55	51	47	52	48	46	44						
4	65	56	49	44	63	54	48	43	52	46	42	49	44	41	46	43	40	38						
5	60	50	43	38	58	49	43	38	46	41	37	44	39	36	42	38	35	33						
6	55	45	38	34	53	44	38	33	42	36	32	40	35	32	38	34	31	29						
7	51	41	34	30	50	40	34	29	38	33	29	37	32	28	35	31	27	26						
8	48	38	31	27	46	37	31	26	35	30	26	34	29	25	32	28	25	23						
9	45	34	28	24	43	34	28	24	32	27	23	31	26	23	30	25	22	21						
10	42	32	26	22	41	31	25	21	30	25	21	29	24	21	28	23	20	19						

Zonal Lumen Summary

Zone	Lumens	%Lamp	%Fixture
0-30	2652	21.4	27.0
0-40	4407	35.5	44.9
0-60	7345	59.2	74.8
0-90	8954	72.2	91.2
90-180	860	6.9	8.8
0-180	9814	79.1	100.0

Typical VCP Percentages

Room Size (Ft.)	Height Along		Height Across	
	8.5'	10.0'	8.5'	10.0'
20 x 20	45	51	40	47
30 x 30	38	42	30	36
30 x 60	32	35	16	21
60 x 30	37	42	33	39
60 x 60	30	33	18	22

Candela

Angle	Along II	45°	Across ⊥
0	3220	3220	3220
5	3225	3244	3247
10	3206	3249	3276
15	3158	3236	3288
20	3071	3194	3264
25	2952	3117	3192
30	2802	3002	3071
35	2623	2843	2905
40	2402	2629	2683
45	2100	2316	2319
50	1650	1842	1773
55	1174	1394	1305
60	902	1067	1019
65	714	806	844
70	561	608	739
75	408	463	661
80	258	366	567
85	123	286	476
90	6	196	407

ORDERING INFORMATION

SAMPLE NUMBER: WN-432A-UNV-EB81-U

<p>Length Blank=4' Length</p>	<p>Series⁽¹⁾ WN=Commercial Surface Wrap</p>	<p>Number of Lamps⁽²⁾ 4=4 Lamps (Not Included)</p>	<p>Wattage 28T8=28W T8 (48")⁽⁶⁾ 32=32WT8 (48")</p>	<p>Options GL=Single Element Fuse GM=Double Element Fuse EL=Emergency Installed^{(5), (7)}</p>	<p>Ballast Type⁽³⁾ EB8_=T8 Electronic Instant Start. Total Harmonic Distortion < 10% No. of Ballast 1 or 2 EB8_/PLUS=T8 Electronic Instant Start. High Ballast Factor >1.13. Total Harmonic Distortion < 20% No. of Ballast 1 or 2 REB1= T8 Electronic Instant Start Residential Ballast. ER8_=T8 Electronic Program Rapid Start. Total Harmonic Distortion < 10% No. of Ballast 1 or 2 ER8_/PLUS=T8 Electronic Program Start. High Ballast Factor >1.13. Total Harmonic Distortion < 10% No. of Ballast 1 or 2 HPT8 Ballast HB8_L=T8 Electronic Instant Start. Low Ballast Factor .77 HB8_=T8 Electronic Instant Start. Ballast Factor .88 HB8_N=T8 Electronic Instant Start. Normal Ballast Factor 1.0 HB8_H=T8 Electronic Instant Start. High Ballast Factor 1.15-1.2 HB8_DIM=T8 Electronic Program Start Step Dimming. Ballast Factor .88 HR8_L=T8 Electronic Program Start. Low Ballast Factor .77 HR8_=T8 Electronic Program Start. Ballast Factor .88 HR8_H=T8 Electronic Program Start. High Ballast Factor 1.15-1.2</p>	<p>Options DEC=Decorative End Cap CRA=Continuous Row Aligner</p>	<p>Packaging U=Unit Pack</p>	<p>ACCESSORIES SCF=Fixed Stem Set (Specify Length) SCS=Swivel Stem Set (Specify Length) SCA=Adjustable 48" Stem Set WN-4LT-DEC-ENDS=Decorative End Caps - 3 or 4 Lamps (2 pieces) WN-CRA=Continuous Row Aligner (1 only)</p>
--	---	--	--	---	--	---	---	---

NOTES: ⁽¹⁾Steel endplates with 7/8" KO standard for continuous row mounting. ⁽²⁾2 point suspension recommended for 2 and 4 lamp models. 3 point suspension recommended for 8 foot tandems. ⁽³⁾Products also available in non-US voltage and frequencies for international markets. 120V must be specified with a residential ballast. ⁽⁴⁾Not Available when specifying emergencies, voltage must be specified. ⁽⁵⁾A low profile battery pack is required for installation with standard ballast cover (consult Cooper Lighting Solutions). ⁽⁶⁾When utilizing 28W T8 lamps, HPT8 Ballast must be specified. Other ballast restrictions may apply. Consult your Cooper Lighting Solutions Representative for availability and ordering information. ⁽⁷⁾Please specify required voltage, 120V or 277V.

For complete product data, reference the Fluorescent Specification binder. Specifications & dimensions subject to change without notice. Consult your Cooper Lighting Solutions Representative for availability and ordering information.

SHIPPING DATA

Catalog No.	Wt.
WN-428T8A	12 lbs.
WN-432A	12 lbs.



Cooper Lighting Solutions
1121 Highway 74 South
Peachtree City, GA 30269
P: 770-486-4800
www.cooperlighting.com

Specifications and dimensions subject to change without notice.

ADF081640
October 16, 2019