

DESCRIPTION

High efficacy low profile track fixture ideal for accent and display lighting applications. Featuring die cast construction with a simple low profile design. These lampholders are perfect for those applications where performance is required from a discreet source.

Catalog #		Type
Project		
Comments		Date
Prepared by		

SPECIFICATION FEATURES

Quick Lock Adapter

Attaches electrically and mechanically anywhere along the track. Includes discrete locking tab that locks the luminaire on the track and allows for easy removal and repositioning.

Driver Housing

Die-cast and extruded aluminum housing incorporates the lamp control circuit.

Heat Sink

Aluminum die-cast heat sink provides exceptional thermal management to yield 70% lumen maintenance after 50,000 hours of operation.

Luminaire Arm

Arm allows the lamp housing tilt to adjust +/- 90° horizontally. This enables the ballast housing to remain static on the track creating a clean look while providing full aiming capabilities.

LED Light Engine

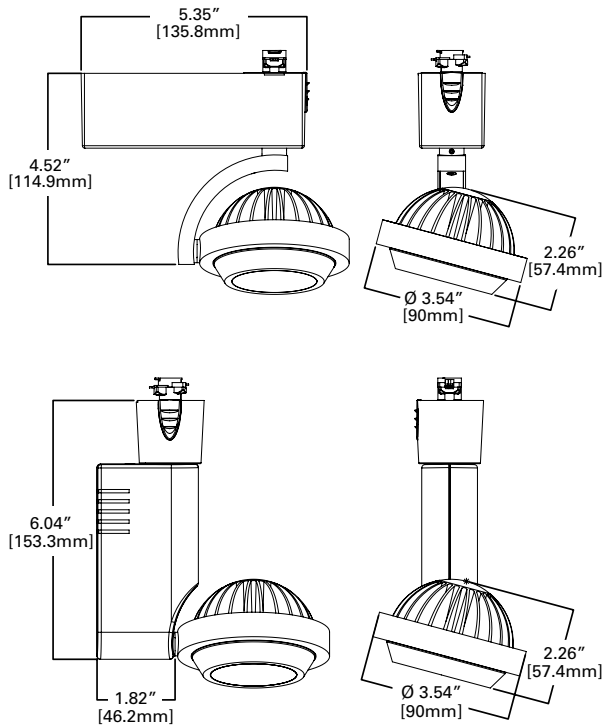
Equipped with (5) 3-Watt white LEDs. Configurable optic allows for 3 optical distributions and can be changed in the field to adjust to the current lighting need. CRI of 85.

Dimming

The 806/807SM is dimmable to 15% with trailing-edge electronic low voltage equipment. (ELV dimmers need a neutral connection in the wall box.) See our website for dimmer compatibility guide www.cooperlighting.com. Dimming only available with 120V configurations.

Compliance

UL/cUL listed for use with Halo Power-Trac and Lazer Track. UL/cUL classified for Juno [See Footnote #1 in Ordering Information below], Lightolier [See Footnote #2 below], and Global [See Footnote #3 below] TEK/HTEK Track. DesignLights™ consortium qualified. Refer to www.designlights.org qualified products list for details. Options to meet Trade Agreements Act requirements.



L806SM



L807SM

**L806SM
L807SM
Halo LED**

12W

3000 K	CBCP
Spot 14°	11,119
Wide Spot 19°	6,482
Narrow Flood 30°	2,639
Flood 40°	1,622

Lighting Data

Lumens:	1073
Lumens per watt:	89
Watts at 120VAC	12.06

Energy Data:

Input Power:	12.06W
Power Factor:	>.9
Input Current:	.149 Amps



ORDERING INFORMATION

SAMPLE NUMBER: L806SMFL830AH (Halo or Lazer Track connector, Spot Distribution, 3000 K, with Aluminum Haze Finish)

Domestic Preferences ⁴	Track	LED	Beam	CRI	CCT	Finish	Voltage	Accessories (order separately) ⁵
[Blank]=Standard TAA=Trade Agreements Act	L=Halo and Lazer Power-Trac LJ=Juno® Track ¹ LL=Lightolier® Track ² L2G=Global® TEK or HTEK ³	806SM=806SM 807SM=807SM	SP=Spot 14° WS=Wide Spot 18° NF=Narrow Flood 28° FL=Flood 44°	80=85	27=2700 K 30=3000 K 40=4000 K	AH=Aluminum Haze MB=Black P=White	277=277 VAC (Only with HTEK) [Blank]=120V	OPK8067SMSP=Kit, Optics 806SM, 807SM, Spot OPK8067SMWS=Kit, Optics 806SM, 807SM, Wide Spot OPK8067SMNF=Kit, Optics 806SM, 807SM, Narrow Flood OPK8067SMFL=Kit, Optics 806SM, 807SM, Flood

NOTES: 1. Juno® T single circuit and 2-circuit track contact. Juno® is a registered trademark of Juno® Lighting. 2. Lightolier® Lyfespan 6000 single circuit and 2 circuit track contact. Lightolier® is a registered trademark of Philips Lighting. 3. Global® is a registered trademark of Nordic Aluminum. 4. Only product configurations with this designated prefix are built to be compliant with the Trade Agreements Act of 1979 (TAA). Please refer to [DOMESTIC PREFERENCES](#) website for more information. Components shipped separately may be separately analyzed under domestic preference requirements. 5. Accessories sold separately will be separately analyzed under domestic preference requirements. Consult factory for further information.

PHOTOMETRICS

Color Temp = 3000K
2700K Multiplier = 0.92
4000K Multiplier = 1.05

L806SMSP8030 /
L807SMSP8030

Spot: 14
CBCP: 11,119
Lumens: 1073
LpW: 89

0 deg Aiming Angle Horizontal Footcandles					30 deg Aiming Angle Horizontal Footcandles					30 deg Aiming Angle Vertical Footcandles on Wall				
D	FC	L	W		D	FC	L	W	CB	D	FC	L	W	CB
4	686	1.5	1.5		4	445	2	1.6	2.3	2	428	2.5	1.3	3.5
6	305	2.2	2.2		6	198	3	2.4	3.5	3	190	3.8	2	5.2
7	224	2.6	2.6		7	145	3.5	2.8	4	4	107	5	2.7	6.9
8	171	3	3		8	111	4	3.2	4.6	5	68	6.3	3.3	8.7
9	135	3.3	3.3		9	88	4.4	3.6	5.2	6	48	7.5	4	10.4
10	110	3.7	3.7		10	71	4.9	4	5.8	8	27	10	5.3	13.9
13	65	4.8	4.8		13	42	6.4	5.2	7.5	10	17	12.5	6.6	17.3
16	43	6	6		16	28	7.9	6.4	9.2	12	12	15	8	20.8

L806SMWS8030 /
L807SMWS8030

Wide Spot: 18
CBCP: 6,482
Lumens: 1000
LpW: 83

0 deg Aiming Angle Horizontal Footcandles					30 deg Aiming Angle Horizontal Footcandles					30 deg Aiming Angle Vertical Footcandles on Wall				
D	FC	L	W		D	FC	L	W	CB	D	FC	L	W	CB
4	400	2	2		4	261	2.6	2.3	2.3	2	257	3.2	1.8	3.5
6	178	3	3		6	116	3.9	3.4	3.5	3	114	4.9	2.6	5.2
7	131	3.5	3.5		7	85	4.5	4	4	4	64	6.5	3.5	6.9
8	100	4	4		8	65	5.1	4.5	4.6	5	41	8.1	4.4	8.7
9	79	4.6	4.6		9	52	5.8	5.1	5.2	6	29	9.7	5.3	10.4
10	64	5.1	5.1		10	42	6.4	5.6	5.8	8	16	12.9	7	13.9
13	38	6.6	6.6		13	25	8.4	7.3	7.5	10	10	16.2	8.8	17.3
16	25	8.1	8.1		16	16	10.3	9	9.2	12	7	19.4	10.6	20.8

L806SMNF8030 /
L807SMNF8030

Narrow Flood: 28
CBCP: 2,639
Lumens: 934
LpW: 75

0 deg Aiming Angle Horizontal Footcandles					30 deg Aiming Angle Horizontal Footcandles					30 deg Aiming Angle Vertical Footcandles on Wall				
D	FC	L	W		D	FC	L	W	CB	D	FC	L	W	CB
4	165	3.1	3.1		4	115	4	3.6	2.3	2	125	4.2	2.7	3.5
6	73	4.7	4.7		6	51	5.9	5.3	3.5	3	56	6.3	4	5.2
7	54	5.5	5.5		7	38	6.9	6.2	4	4	31	8.4	5.4	6.9
8	41	6.3	6.3		8	29	7.9	7.1	4.6	5	20	10.5	6.7	8.7
9	33	7.1	7.1		9	23	8.9	8	5.2	6	14	12.6	8	10.4
10	26	7.9	7.9		10	18	9.9	8.9	5.8	8	8	16.9	10.7	13.9
13	16	10.2	10.2		13	11	12.9	11.6	7.5	10	5	21.1	13.4	17.3
16	10	12.6	12.6		16	7	15.9	14.2	9.2	12	3	25.3	16.1	20.8

L806SMFL8030 /
L807SMFL8030

Flood: 44
CBCP: 1,622
Lumens: 919
LpW: 77

0 deg Aiming Angle Horizontal Footcandles					30 deg Aiming Angle Horizontal Footcandles					30 deg Aiming Angle Vertical Footcandles on Wall				
D	FC	L	W		D	FC	L	W	CB	D	FC	L	W	CB
4	101	4.1	4.1		4	76	5	4.6	2.3	2	117	3.8	3.1	3.5
6	45	6.2	6.2		6	34	7.5	6.9	3.5	3	52	5.7	4.7	5.2
7	33	7.2	7.2		7	25	8.7	8	4	4	29	7.5	6.2	6.9
8	25	8.3	8.3		8	19	9.9	9.2	4.6	5	19	9.4	7.8	8.7
9	20	9.3	9.3		9	15	11.2	10.3	5.2	6	13	11.3	9.3	10.4
10	16	10.3	10.3		10	12	12.4	11.5	5.8	8	7	15.1	12.4	13.9
13	10	13.4	13.4		13	7	16.2	14.9	7.5	10	5	18.8	15.5	17.3
16	6	16.6	16.6		16	5	19.9	18.3	9.2	12	3	22.6	18.7	20.8

Notes and Definitions:

Beam spread is to 50% center beam candlepower (CBCP).
D=Distance in feet to floor or wall.
FC=Footcandles on floor or wall at center beam aiming location.
L=Effective Visual Beam length in feet (50% of maximum footcandle level).
W=Effective Visual Beam width in feet (50% of maximum footcandle level).
CB=Distance in feet across or down to center beam location.

