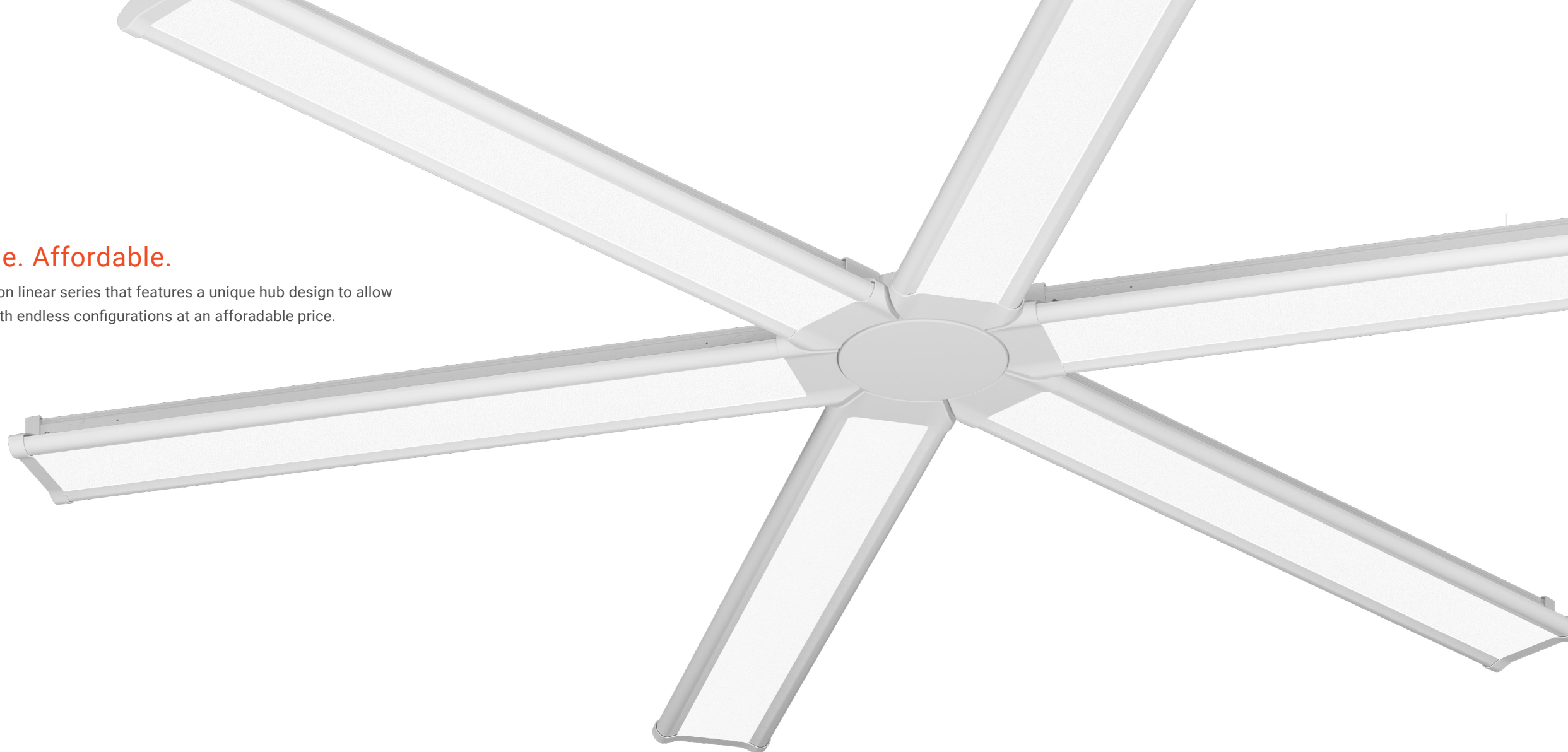




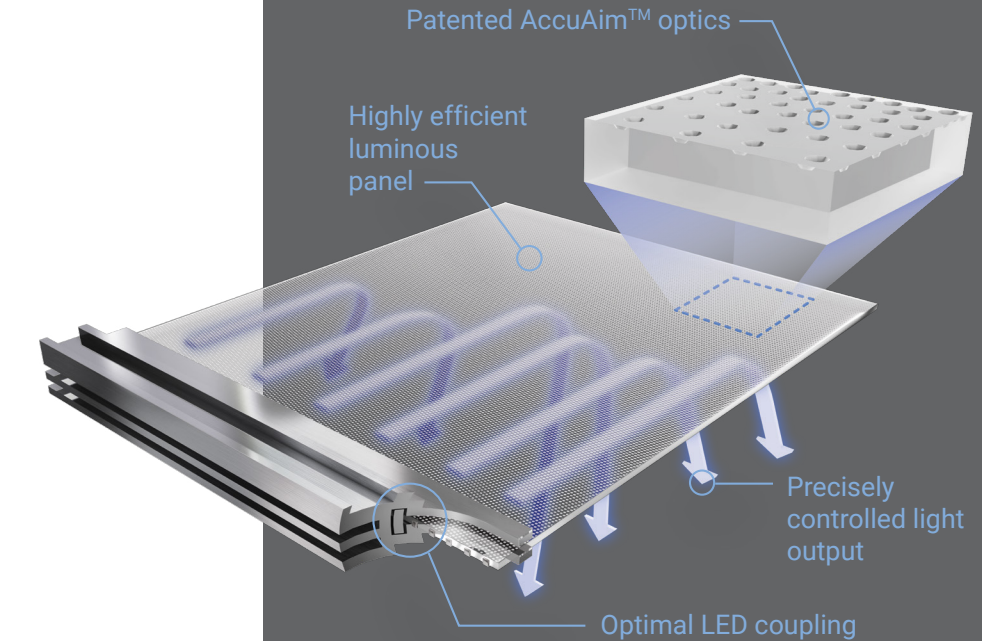
WSLA Versatile. Affordable.

The WSLA is a specification linear series that features a unique hub design to allow various pattern layouts with endless configurations at an affordable price.



WaveStream™ LED

WaveStream is the first lighting technology designed and optimized exclusively for LEDs – with form and function that allows mainstream adoption like never before. Once you factor in all the ways you can build and customize WaveStream lighting solutions, over 500,000 configurations are available to address nearly every major lighting application.



- Design freedom
- Optical control
- Energy efficiency
- Brightness control
- Mainstream value

Design Flexibility

Exceed your expectations with endless possibilities to design your space

Artistic Freedom

Imagine having a blank canvas to create your vision for a unique space

Modular System

Three ways to use:
Linear Runs,
Pre-Defined Hub Patterns,
Build-Your-Own

Easy and Quick Installation

Centralized Plug-N-Play wiring with the Round or Square Hub

Intelligent Lighting Simplified

Fully integrated Connected Lighting solutions

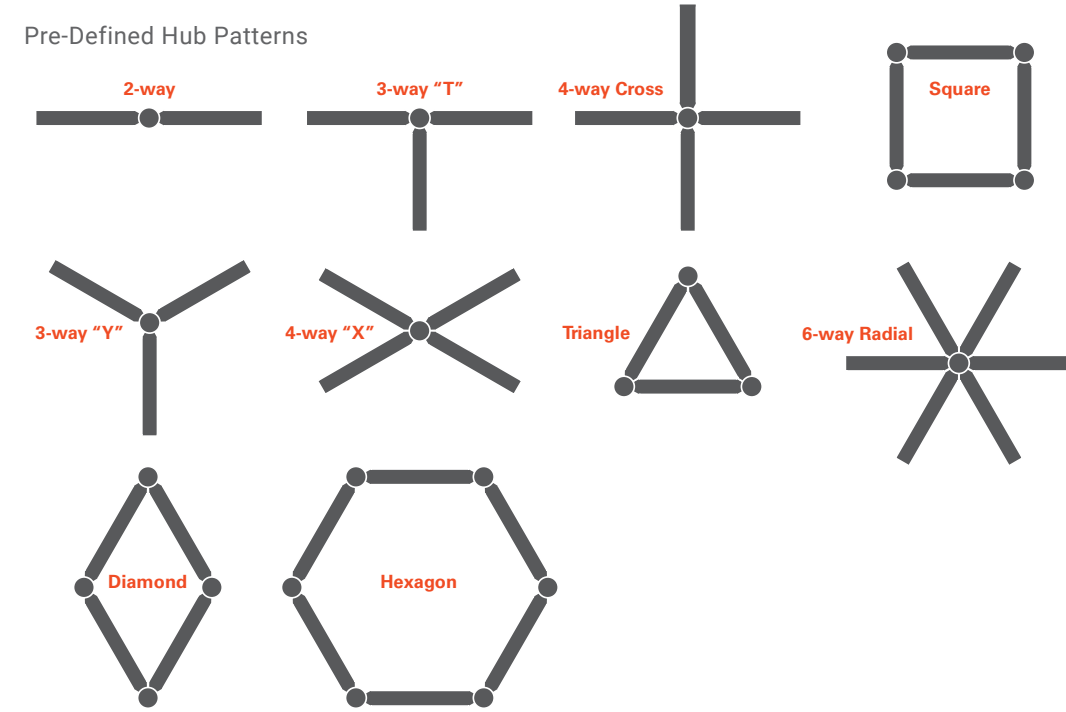
WSLA Endless Possibilities

Today's interior spaces need to be more flexible than ever before. The WSLA's unique design provides flexible lighting layouts including individual, continuous row, geometric patterns, and the ability to create custom patterns.

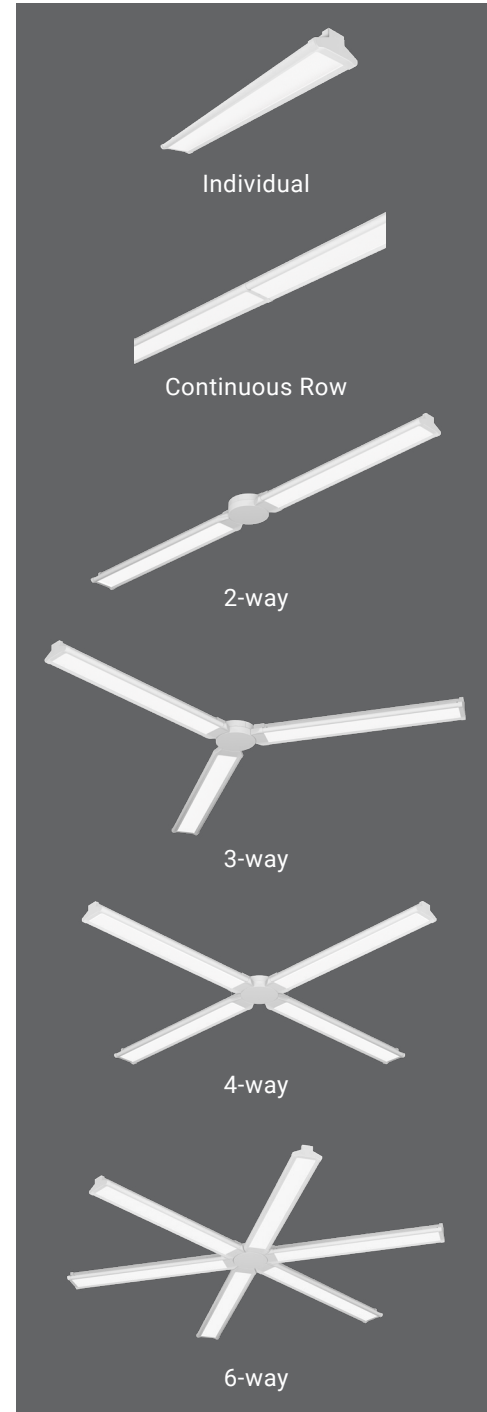
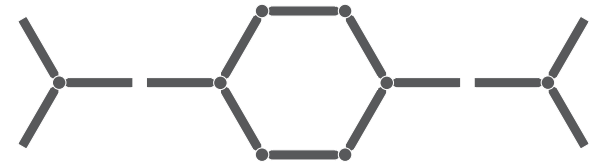
Straight Rows



Pre-Defined Hub Patterns



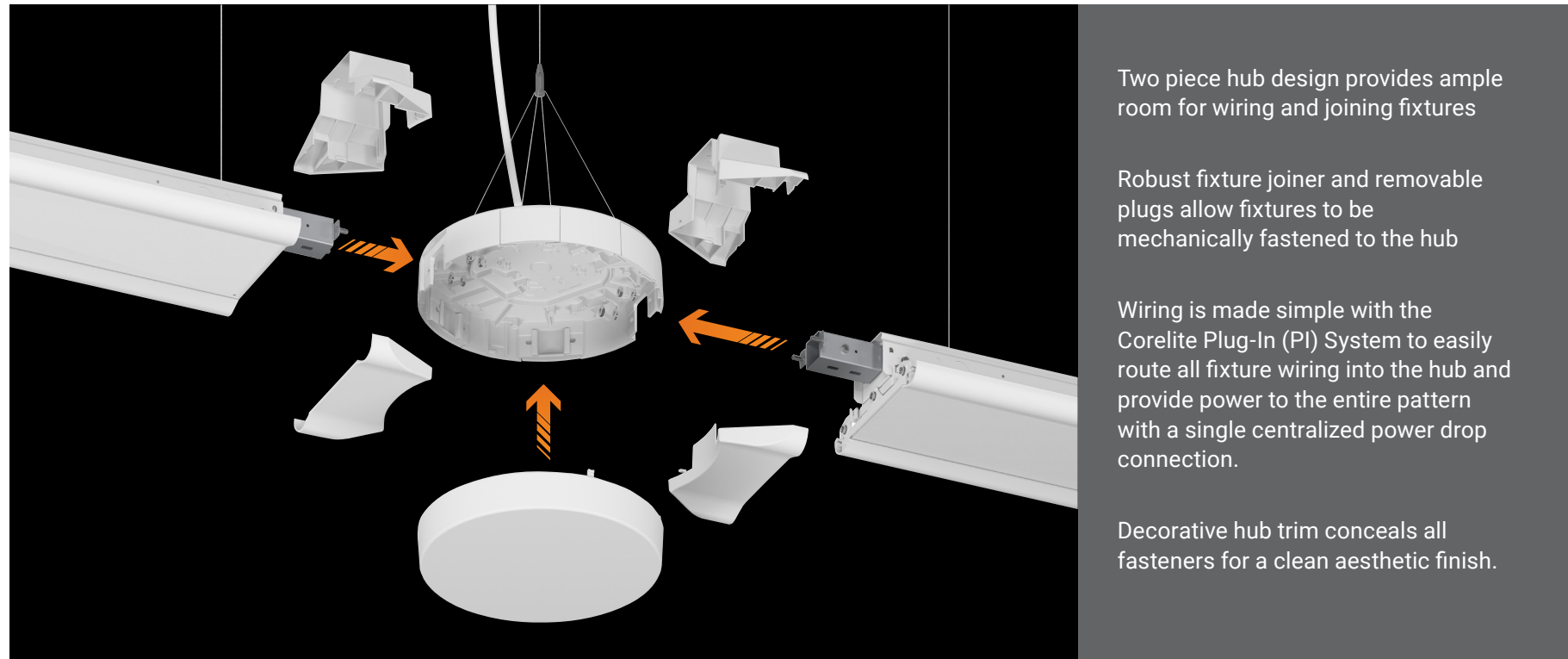
Custom Hub Patterns



WSLA Simple. Easy.

Despite its advanced capabilities, the WSLA series is built on basic building blocks that make it easy to design, install, and maintain.

Hub Pattern Installation



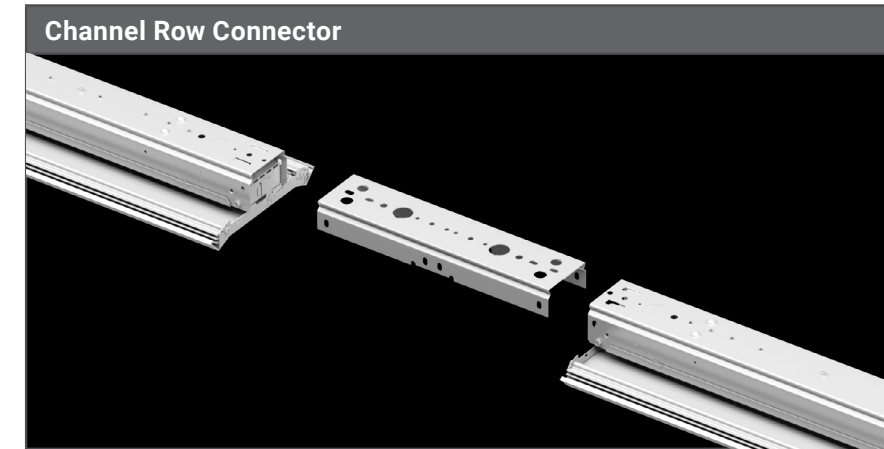
Two piece hub design provides ample room for wiring and joining fixtures

Robust fixture joiner and removable plugs allow fixtures to be mechanically fastened to the hub

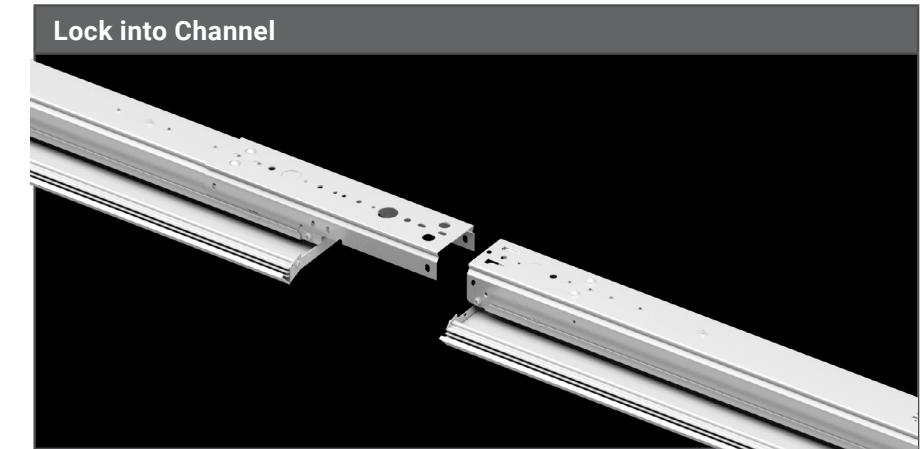
Wiring is made simple with the Corelite Plug-In (PI) System to easily route all fixture wiring into the hub and provide power to the entire pattern with a single centralized power drop connection.

Decorative hub trim conceals all fasteners for a clean aesthetic finish.

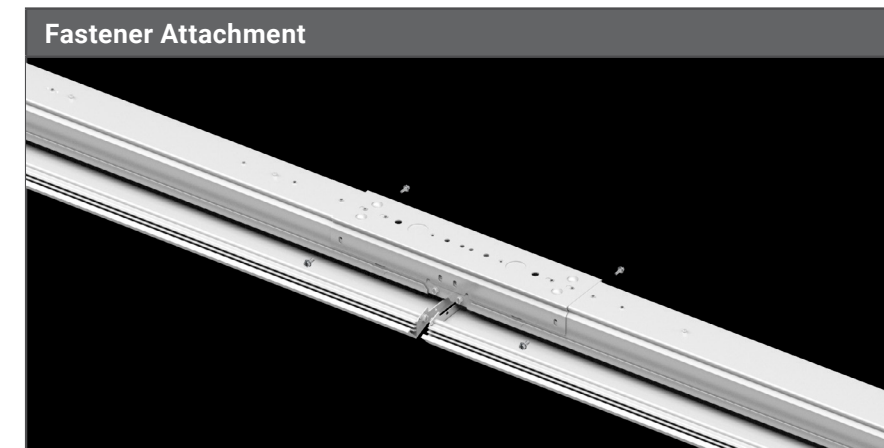
Continuous Row Installation*



Utilize the channel row connector for clean, straight row alignment.

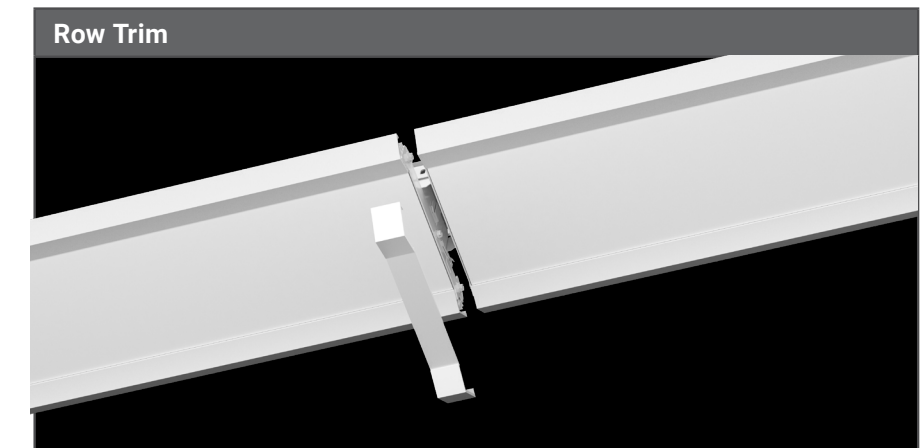


Simply slide channel connector onto mating channels.



Secure on both sides with fasteners.

*Shown with optional channel connector



Attach provided row trim for aesthetic finish.

WSLA Connected lighting.

Connected lighting enabled Corelite WSLA luminaires are designed to support integrated sensors providing code compliance and energy savings. Take compliance, network security and energy savings into your own hands. WaveLinX Wireless is the most intuitive and scalable distributed wireless control system in the market. With its out-of-the-box functionality and intuitive mobile application used for programming, WaveLinX is easy to install and operate. Its rich portfolio of sensors, control devices and accessories make it the ideal solution for indoor, outdoor, commercial and industrial applications.



Luminaire with standalone sensor



Standalone Spaces
WaveLinX Lite



Networked Spaces
WaveLinX Pro



Enterprise Core

Occupancy	Yes	Yes	Yes	Yes
Daylighting	Yes	Yes	Yes	Yes
Wallstations	-	Yes	Yes	Yes
Gateways	-	-	1 WAC	300 WACs
Devices (MAX)	-	50 per Area (1400 per site)	200 per WAC2	32,500 per Core Enterprise
Software	-	WaveLinX LITE Mobile App	WaveLinX PRO Mobile App	Trellix Core
Areas	-	28 per Site	50 per WAC2	up to 3,000
Zones	-	16 per Area	16 per Area	up to 9,000
Scheduling	-	-	Local	Global
VividTune™	-	-	Yes	Yes
Plug-Load Control	-	-	Yes	Yes
Low-Voltage Power	-	-	Yes	Yes
Integration	-	-	-	BACnet, API
Dashboards	-	-	-	Energy, Occupancy
Configuration	-	Installer	Technician	Technician / IT

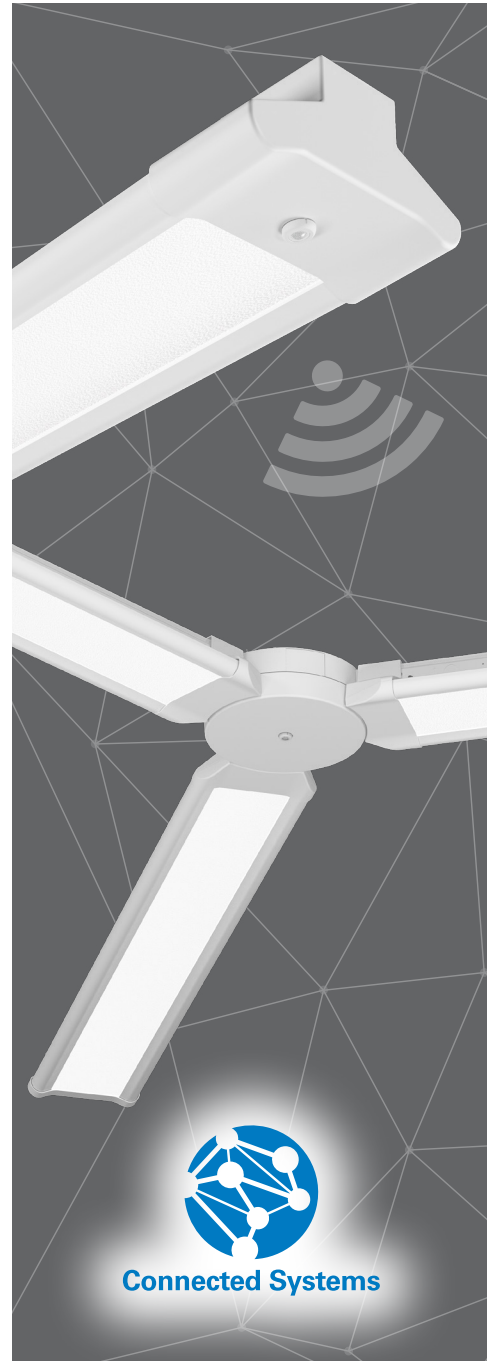
SCALABILITY

devices

areas

floors

buildings



The WSLA hub provides a convenient location for integrated sensors and allows the entire pattern to be seamlessly controlled with fewer sensors than a traditional linear product -- reducing upfront costs and commissioning time.

Lighting Brands

Ametrix
AtLite
Corelite
Ephesus
Fail-Safe
HALO
HALO Commercial
Invue
IO
Iris
Lumark
Lumière
McGraw-Edison
Metalux
MWS
Neo-Ray
Portfolio
RSA
Shaper
Shaper PrentaLux - 3D Printed Lighting
Streetworks
Sure-Lites
Telensa

Controls Brands

Greengate
Fifth Light

Connected Lighting Systems

WaveLinx

IoT Platforms

Trellix



Cooper Lighting Solutions
1121 Highway 74 South
Peachtree City, GA 30269
P: 770-486-4800
www.cooperlighting.com

Canada Sales
5925 McLaughlin Road
Mississauga, Ontario L5R 1B8
P: 905-501-3000
F: 905-501-3172

© 2023 Cooper Lighting Solutions
All Rights Reserved
Printed in USA
Publication No. BR519056EN
March 29, 2023 1:53 PM

Cooper Lighting Solutions is a registered trademark.

All other trademarks are property of their respective owners.

Product availability, specifications, and compliances are subject to change without notice.